



US00D858755S

(12) **United States Design Patent** (10) **Patent No.:** **US D858,755 S**  
**Harding et al.** (45) **Date of Patent:** **\*\* Sep. 3, 2019**

(54) **CATHETER ASSEMBLY AND NEEDLE COVER**

(71) Applicant: **Becton, Dickinson and Company**, Franklin Lakes, NJ (US)

(72) Inventors: **Weston Harding**, Lehi, UT (US); **Stephen Bornhoft**, Sandy, UT (US); **John Stokes**, Pleasant View, UT (US); **Yiping Ma**, Layton, UT (US); **Siddarth Shevgoor**, Laguna Beach, CA (US); **Curt Bingham**, Hyde Park, UT (US)

(73) Assignee: **Becton, Dickinson and Company**, Franklin Lakes, NJ (US)

(\*\*) Term: **15 Years**

(21) Appl. No.: **29/591,961**

(22) Filed: **Jan. 25, 2017**

(51) **LOC (12) Cl.** ..... **24-02**

(52) **U.S. Cl.**  
USPC ..... **D24/130**

(58) **Field of Classification Search**  
USPC ..... D24/127-131, 112-114, 133, 186; 606/181, 185; 604/264, 523-528, 272, 604/187, 158, 164.01-164.11, 181, 184, 604/227; 128/200.24, 207.14, 207.15; 600/101, 139, 143  
CPC ..... A61M 25/00; A61M 39/00; A61M 27/00; A61M 25/0043; A61M 25/0067; A61M 25/0097; A61F 2/958  
See application file for complete search history.

(56) **References Cited**

U.S. PATENT DOCUMENTS

- 4,951,977 A \* 8/1990 Shutt ..... F16L 37/122 285/277
- D351,227 S \* 10/1994 Patton ..... D24/112
- D353,456 S \* 12/1994 Fayngold ..... D24/128

- 5,501,674 A 3/1996 Trombley, III et al.
- D381,418 S 7/1997 Erskine et al.
- D381,422 S 7/1997 Erskine et al.
- 5,713,876 A 2/1998 Bogert et al.
- 5,830,190 A \* 11/1998 Howell ..... A61M 25/0631 604/168.01
- 5,951,515 A 9/1999 Osterlind
- 6,004,294 A 12/1999 Brimhall et al.
- 6,379,333 B1 \* 4/2002 Brimhall ..... A61M 5/3273 604/110
- 6,652,486 B2 \* 11/2003 Bialecki ..... A61M 25/0618 604/110

(Continued)

FOREIGN PATENT DOCUMENTS

- WO WO-02068022 A1 9/2002
- WO WO-2010061405 A2 6/2010
- WO WO-2013137348 A1 9/2013

Primary Examiner — David G Muller

(74) Attorney, Agent, or Firm — Dickinson Wright PLLC

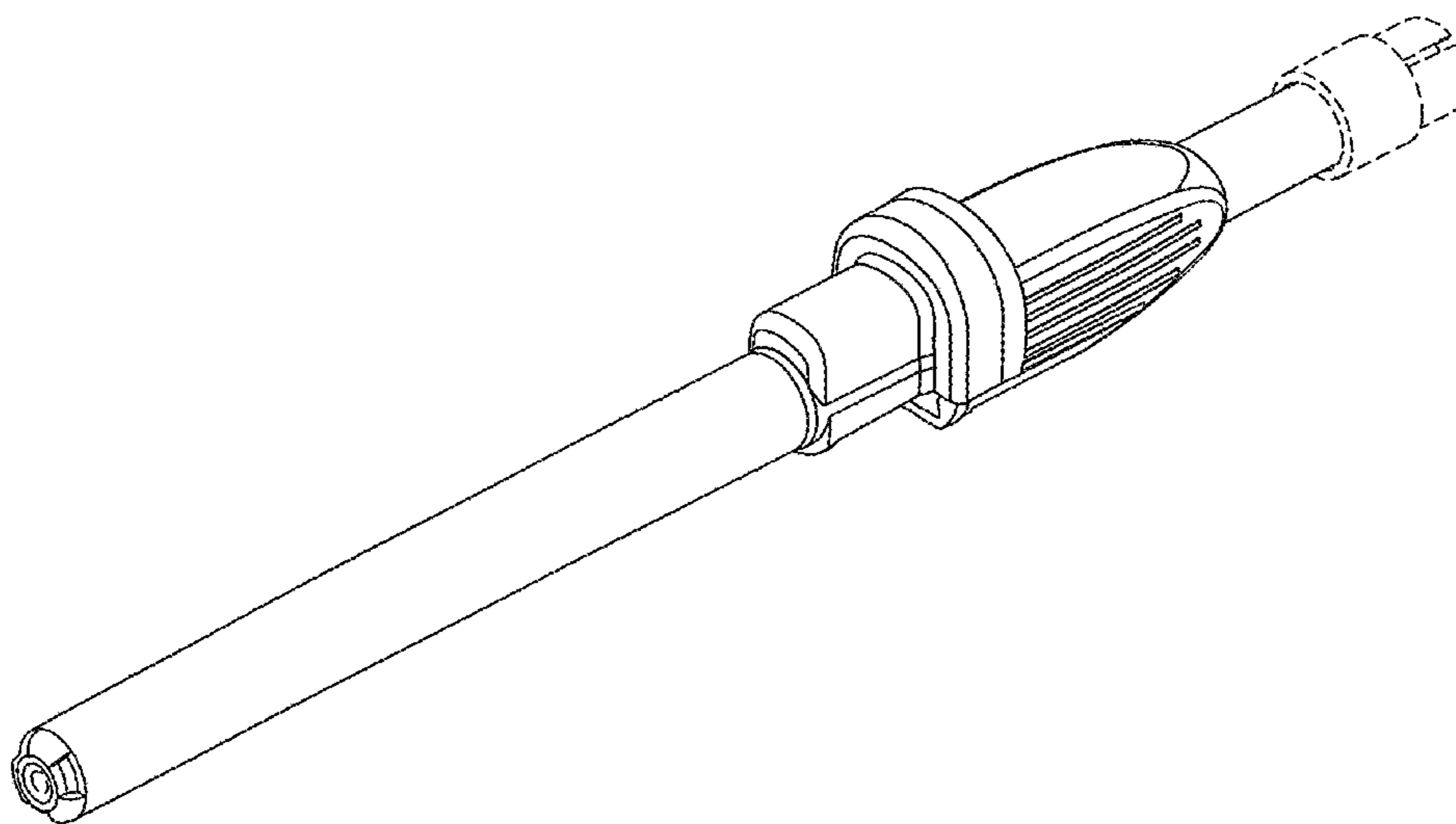
(57) **CLAIM**

The ornamental design for a catheter assembly and needle cover, as shown and described.

**DESCRIPTION**

FIG. 1 is a top perspective view of a catheter assembly and needle cover embodying our new design; FIG. 2 is a bottom perspective view thereof; FIG. 3 is a top plan view thereof; FIG. 4 is a side elevation view thereof; FIG. 5 is an opposite side elevation view thereof; FIG. 6 is a bottom plan view thereof; FIG. 7 is a front elevation view thereof; and, FIG. 8 is a rear elevation view thereof. The ornamental design that is claimed is shown in solid lines in the drawings. The broken lines in the drawings represent portions of the catheter assembly and needle cover that form no part of the claimed design.

**1 Claim, 5 Drawing Sheets**



(56)

**References Cited**

U.S. PATENT DOCUMENTS

|              |      |         |                       |                            |
|--------------|------|---------|-----------------------|----------------------------|
| 6,652,490    | B2 * | 11/2003 | Howell .....          | A61M 5/3273<br>604/110     |
| D492,031     | S    | 6/2004  | Cindrich et al.       |                            |
| 6,749,588    | B1   | 6/2004  | Howell et al.         |                            |
| D592,302     | S    | 5/2009  | Stokes et al.         |                            |
| 7,530,965    | B2   | 5/2009  | Villa et al.          |                            |
| 7,658,725    | B2 * | 2/2010  | Bialecki .....        | A61M 25/0606<br>604/164.08 |
| 7,722,569    | B2   | 5/2010  | Soderholm et al.      |                            |
| 7,753,887    | B2 * | 7/2010  | Botich .....          | A61M 25/0631<br>604/110    |
| 8,235,945    | B2   | 8/2012  | Baid                  |                            |
| 8,585,644    | B2 * | 11/2013 | Rodriguez Lelis ..... | A61M 25/0113<br>604/110    |
| 8,591,467    | B2   | 11/2013 | Walker et al.         |                            |
| 9,011,382    | B2 * | 4/2015  | Nilsson .....         | A61M 25/0606<br>604/164.02 |
| 9,056,188    | B2   | 6/2015  | Hager et al.          |                            |
| 9,095,679    | B2   | 8/2015  | Nishimura et al.      |                            |
| D739,932     | S *  | 9/2015  | Ratjen .....          | D24/113                    |
| D802,748     | S *  | 11/2017 | Mills .....           | D24/112                    |
| 2014/0303561 | A1   | 10/2014 | Li                    |                            |
| 2014/0364809 | A1   | 12/2014 | Isaacson et al.       |                            |
| 2015/0238733 | A1   | 8/2015  | bin Abdulla           |                            |

\* cited by examiner

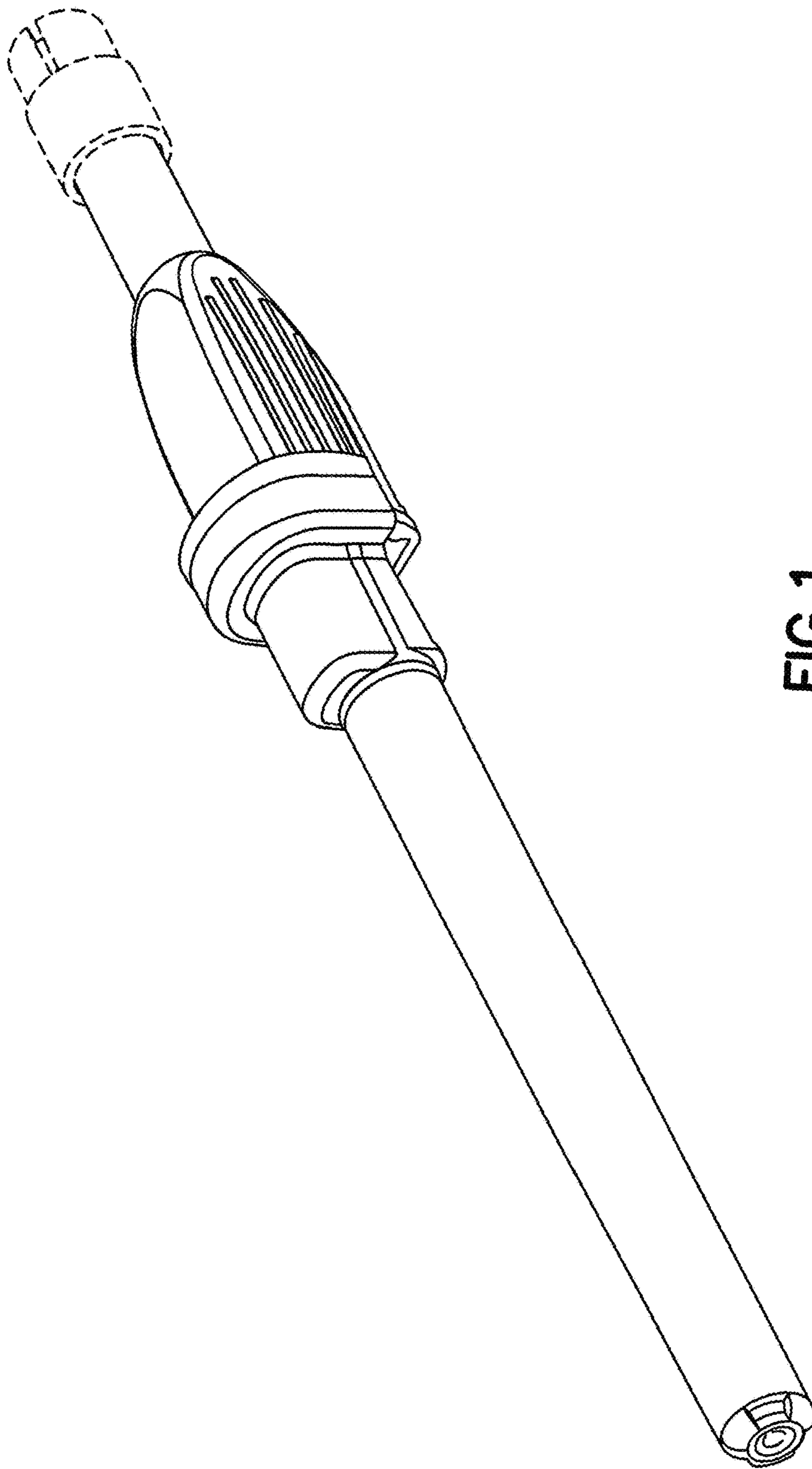


FIG. 1

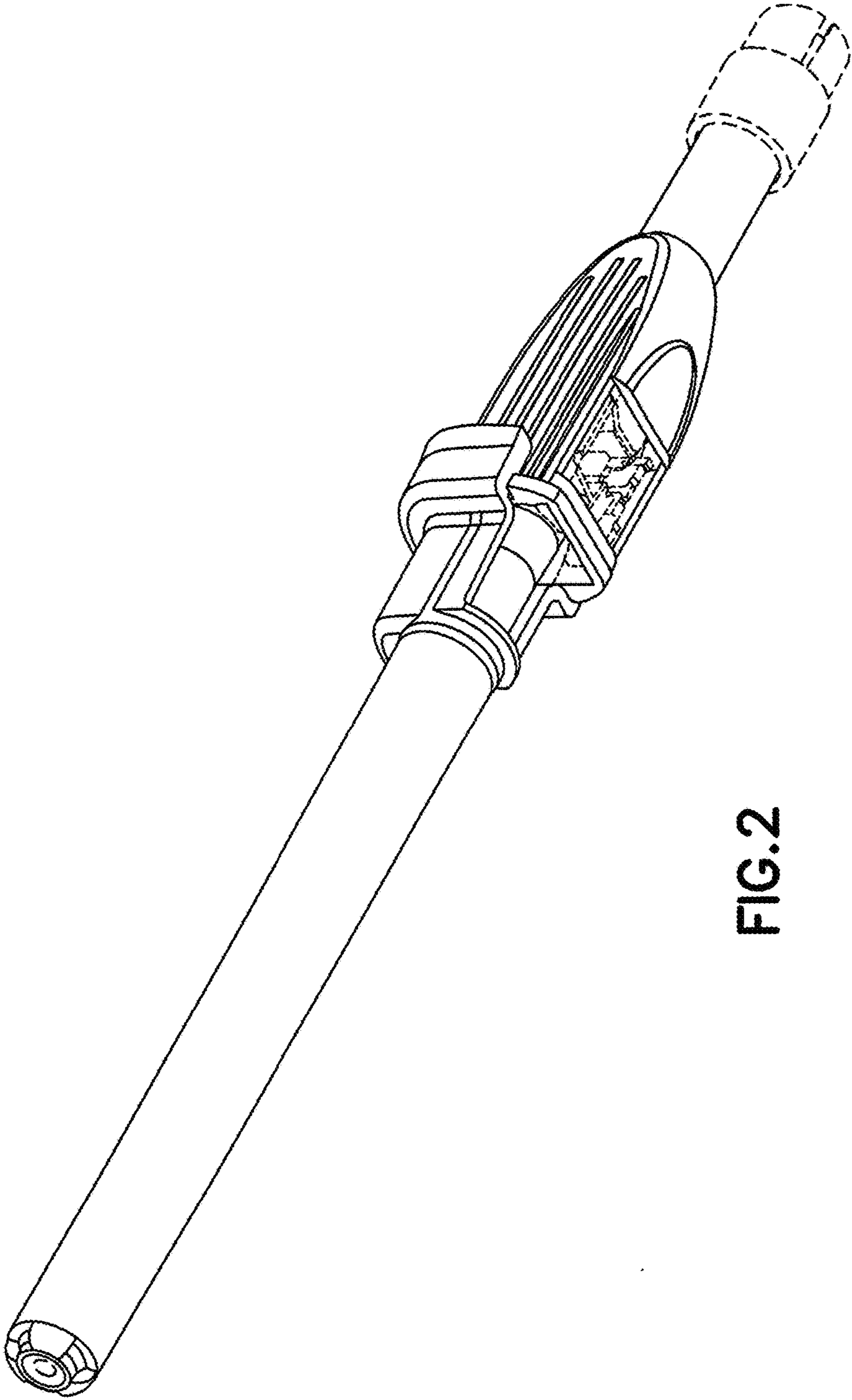


FIG.2

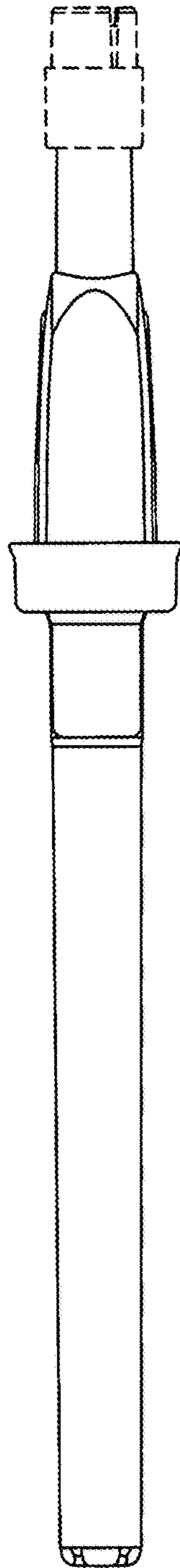


FIG. 3

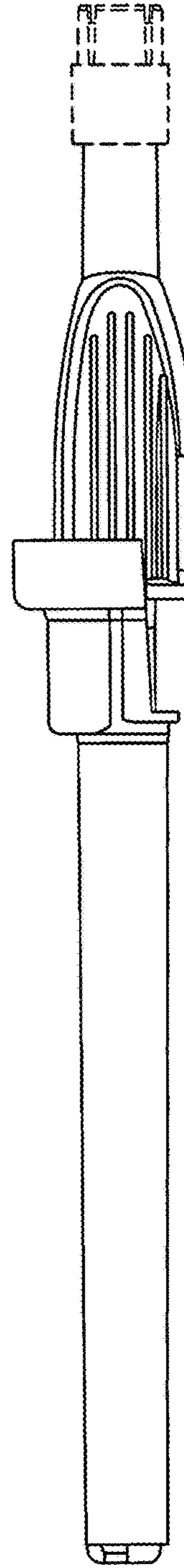


FIG. 4



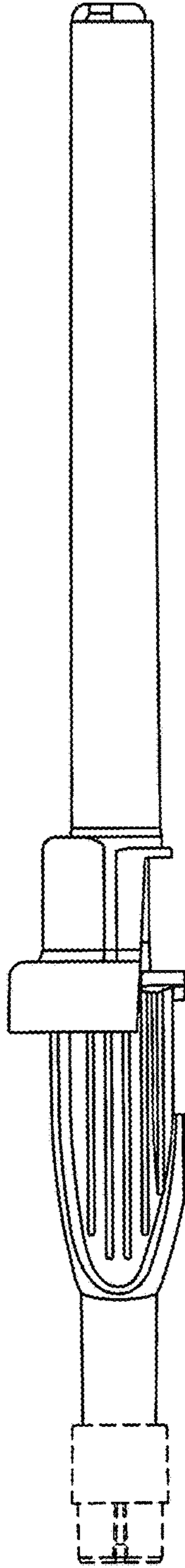


FIG. 5

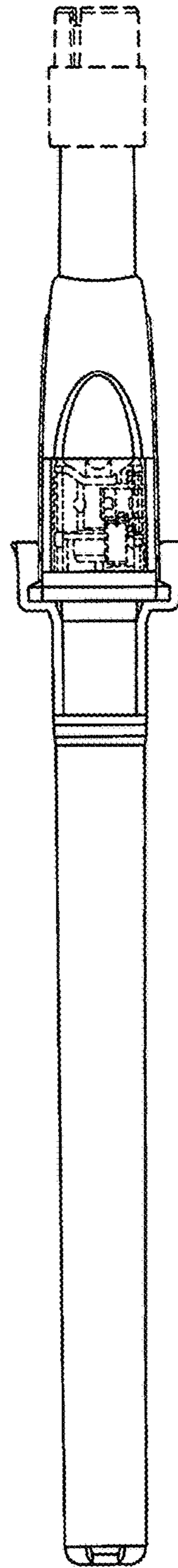


FIG. 6

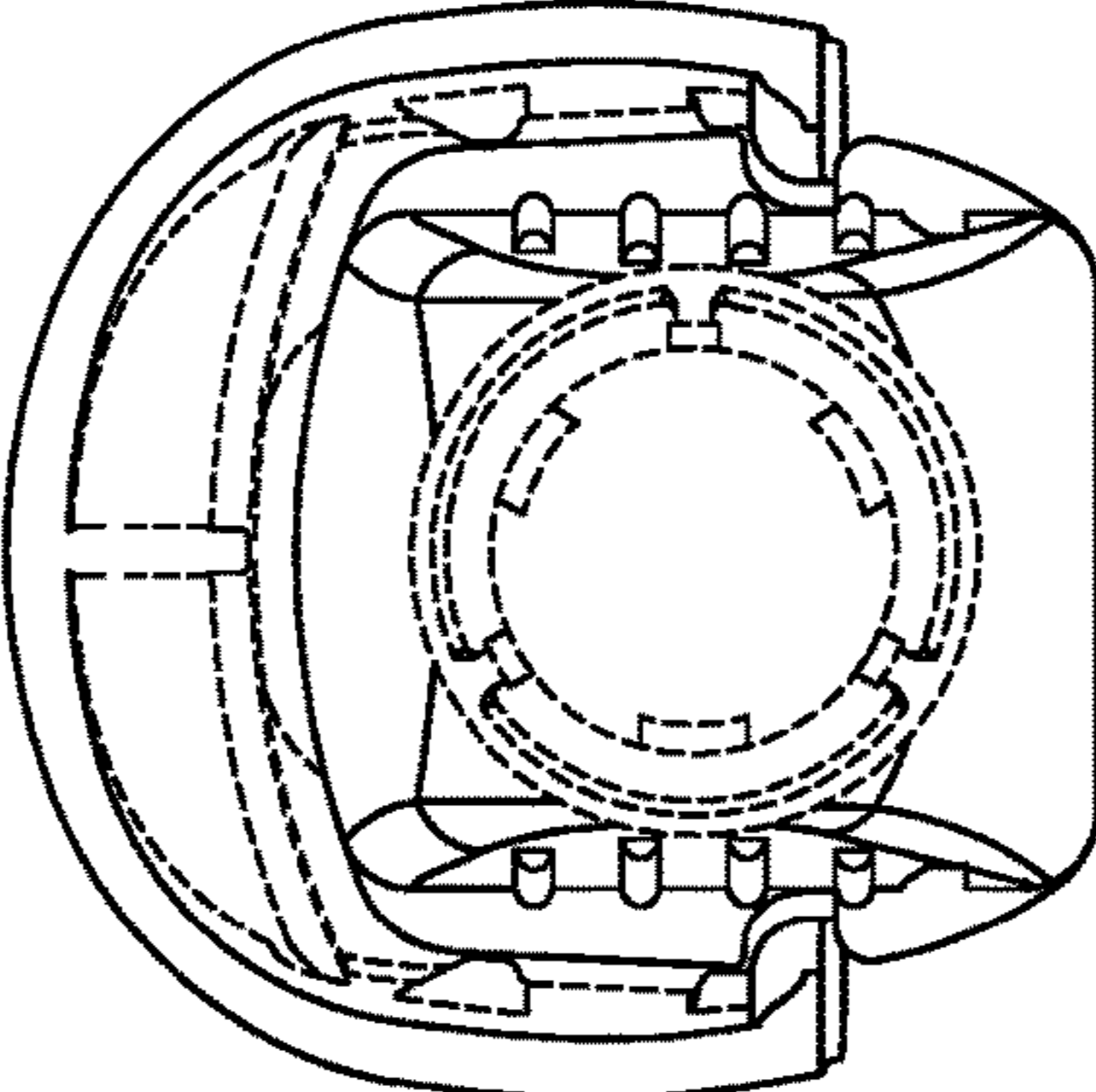


FIG. 8

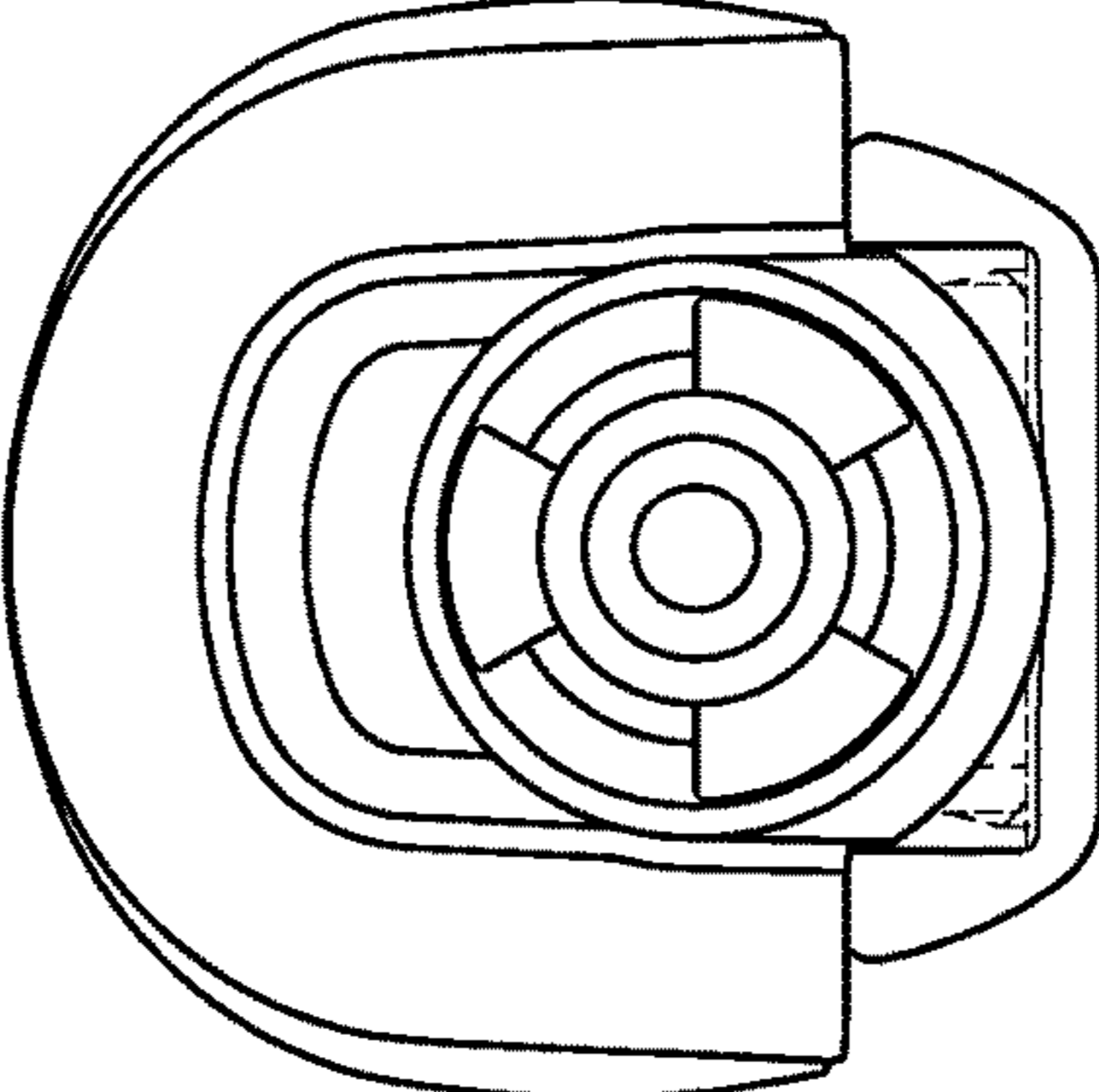


FIG. 7