



US00D858754S

(12) **United States Design Patent** (10) **Patent No.:** **US D858,754 S**  
**Grygus et al.** (45) **Date of Patent:** **\*\* Sep. 3, 2019**

- (54) **SYRINGE CAP** D612,493 S \* 3/2010 Claessens ..... D24/130  
 8,454,564 B2 \* 6/2013 Deppisch ..... A61M 25/00  
 604/110  
 (71) Applicant: **Regeneron Pharmaceuticals Inc.,** D771,247 S \* 11/2016 Shinohara ..... D24/130  
 Tarrytown, NY (US) D787,052 S \* 5/2017 Heinz ..... D24/130  
 (72) Inventors: **Bryan Grygus,** Clifton Park, NY (US); D789,528 S \* 6/2017 Wohlfahrt ..... D24/130  
**Richard Jeff Gildersleeve,** Rensselaer, NY (US) D797,928 S \* 6/2017 Davis ..... D24/130  
 D797,929 S \* 9/2017 Davis ..... D24/130  
 D807,503 S \* 9/2017 Davis ..... D24/130  
 (73) Assignee: **Regeneron Pharmaceuticals, Inc.,** D838,363 S \* 1/2018 Davis ..... D24/130  
 Tarrytown, NY (US) 10,207,099 B1 \* 2/2019 Katagiri ..... D24/127  
 Vitello ..... A61M 39/20

\* cited by examiner

(\*\*) Term: **15 Years**

(21) Appl. No.: **29/589,867**

(22) Filed: **Jan. 5, 2017**

(51) **LOC (12) Cl.** ..... **24-02**

(52) **U.S. Cl.**  
USPC ..... **D24/130**

(58) **Field of Classification Search**  
 USPC ..... D24/127–131, 112–114, 133, 186;  
 606/181, 185; 604/264, 523–528, 272,  
 604/187, 158, 164.01–164.11, 181, 184,  
 604/227; 600/101, 139, 143;  
 128/200.24, 207.14, 207.15  
 CPC ..... A61M 5/178; A61M 3/00; A61M 5/20;  
 A61M 5/31; A61M 5/3146; A61M  
 5/3129; A61M 5/3148; A61M 5/315  
 See application file for complete search history.

(56) **References Cited**

U.S. PATENT DOCUMENTS

- D447,799 S \* 9/2001 Jun ..... D24/130  
 D506,256 S \* 6/2005 Miyoshi ..... D24/108

*Primary Examiner* — David G Muller

(74) *Attorney, Agent, or Firm* — Bookoff McAndrews, PLLC

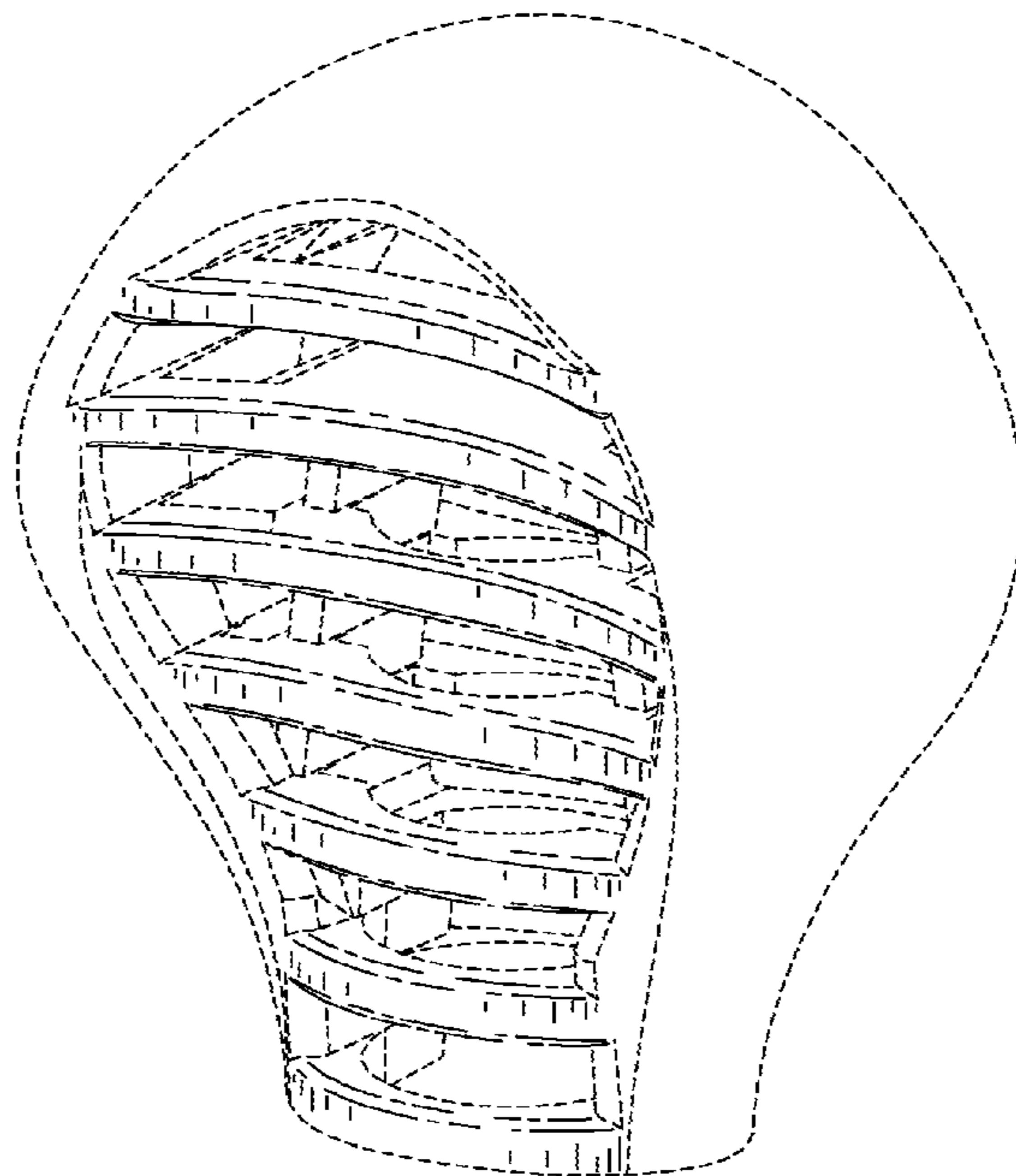
(57) **CLAIM**

The ornamental design for the syringe cap, as shown and described.

**DESCRIPTION**

FIG. 1 is a front perspective view of the syringe cap;  
 FIG. 2 is a front elevation view thereof;  
 FIG. 3 is a rear elevation view thereof;  
 FIG. 4 is a right side elevation view thereof, where the left side elevation view is a mirror image thereof;  
 FIG. 5 is a top plan view thereof;  
 FIG. 6 is a bottom plan view thereof; and,  
 FIG. 7 is a front perspective of a syringe assembly with the design of FIG. 1 attached to an end of the syringe assembly.  
 The features shown in broken lines depict environmental structure only and form no part of the claimed design.

**1 Claim, 4 Drawing Sheets**



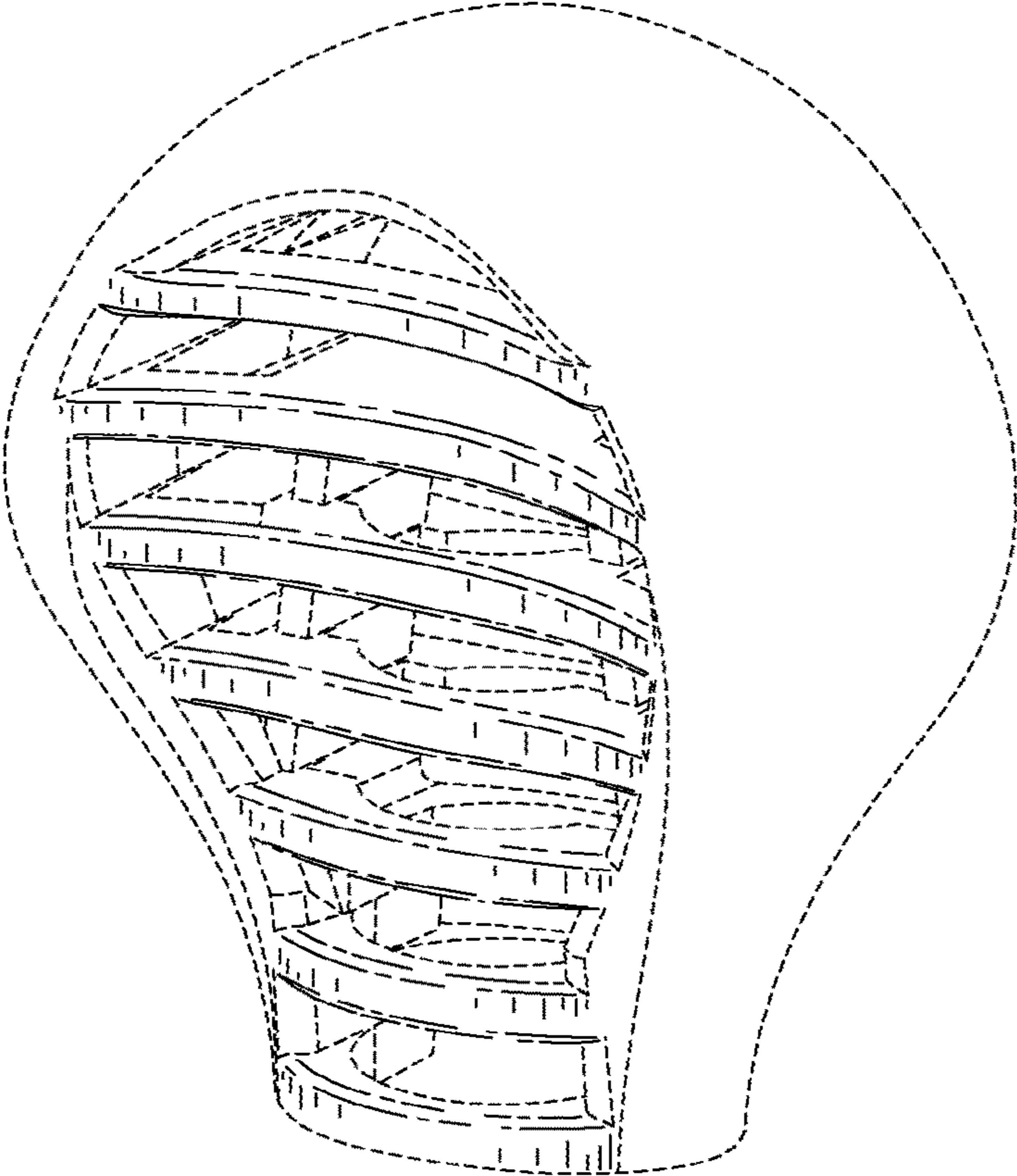


FIG. 1

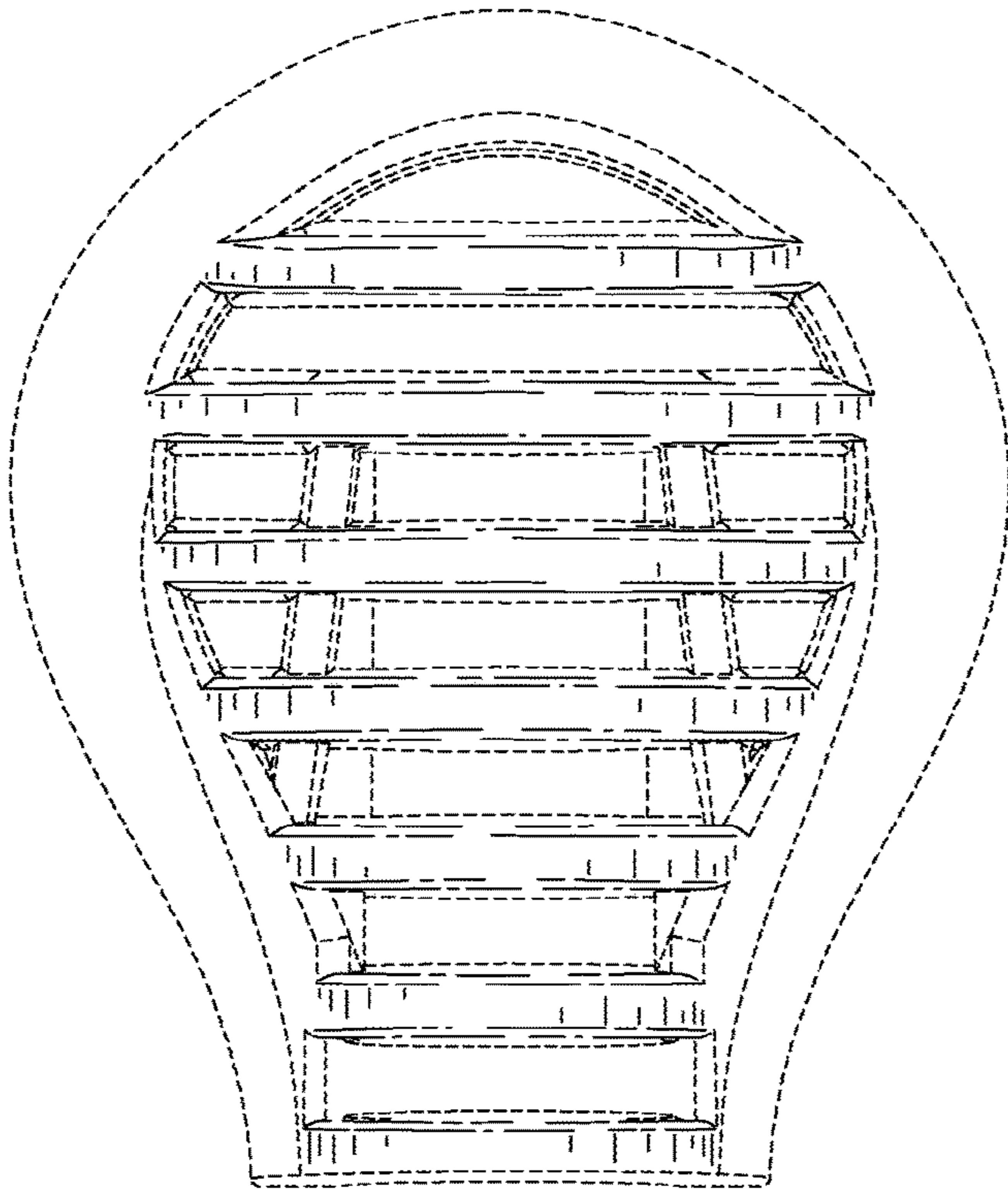


FIG. 2

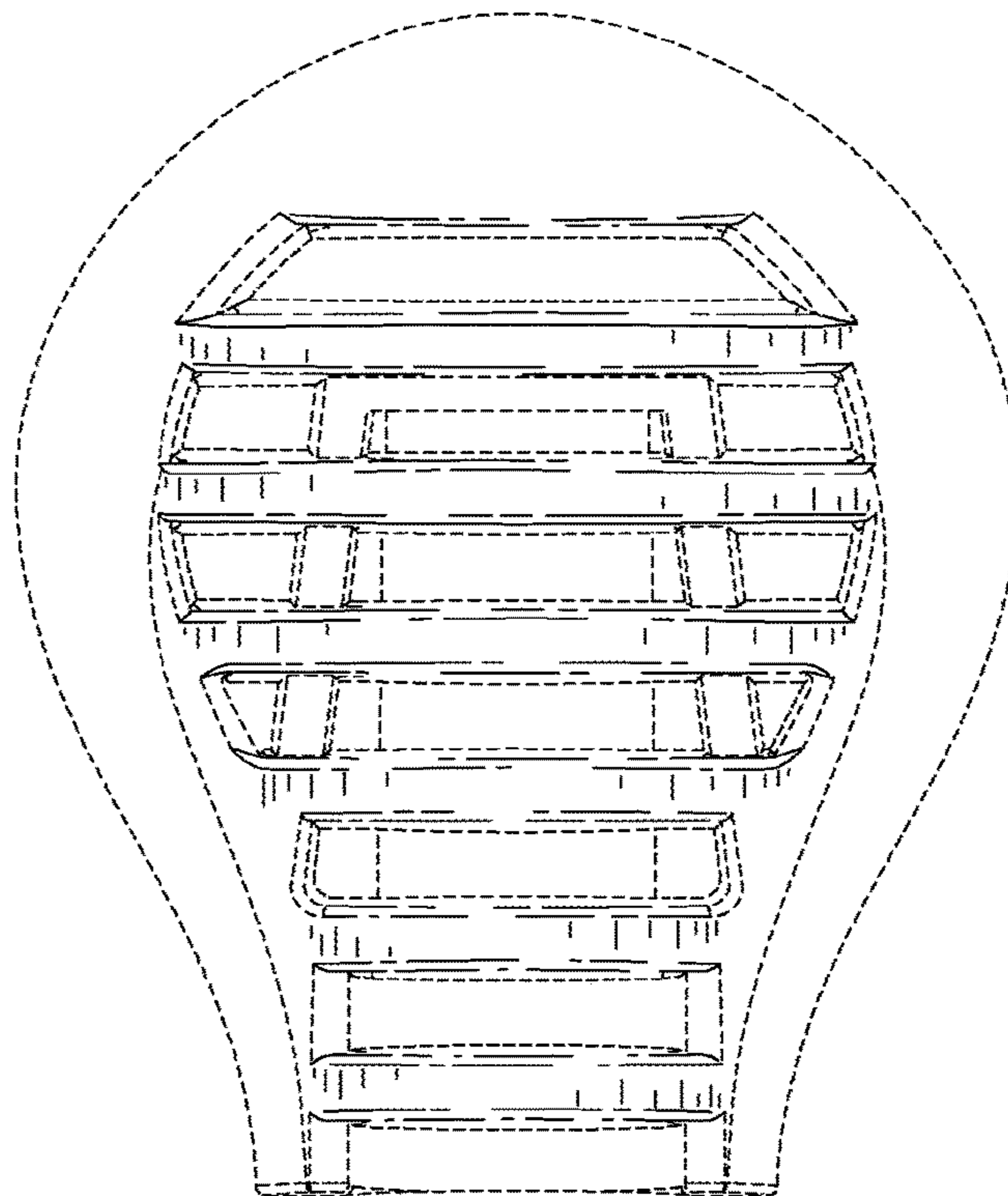


FIG. 3

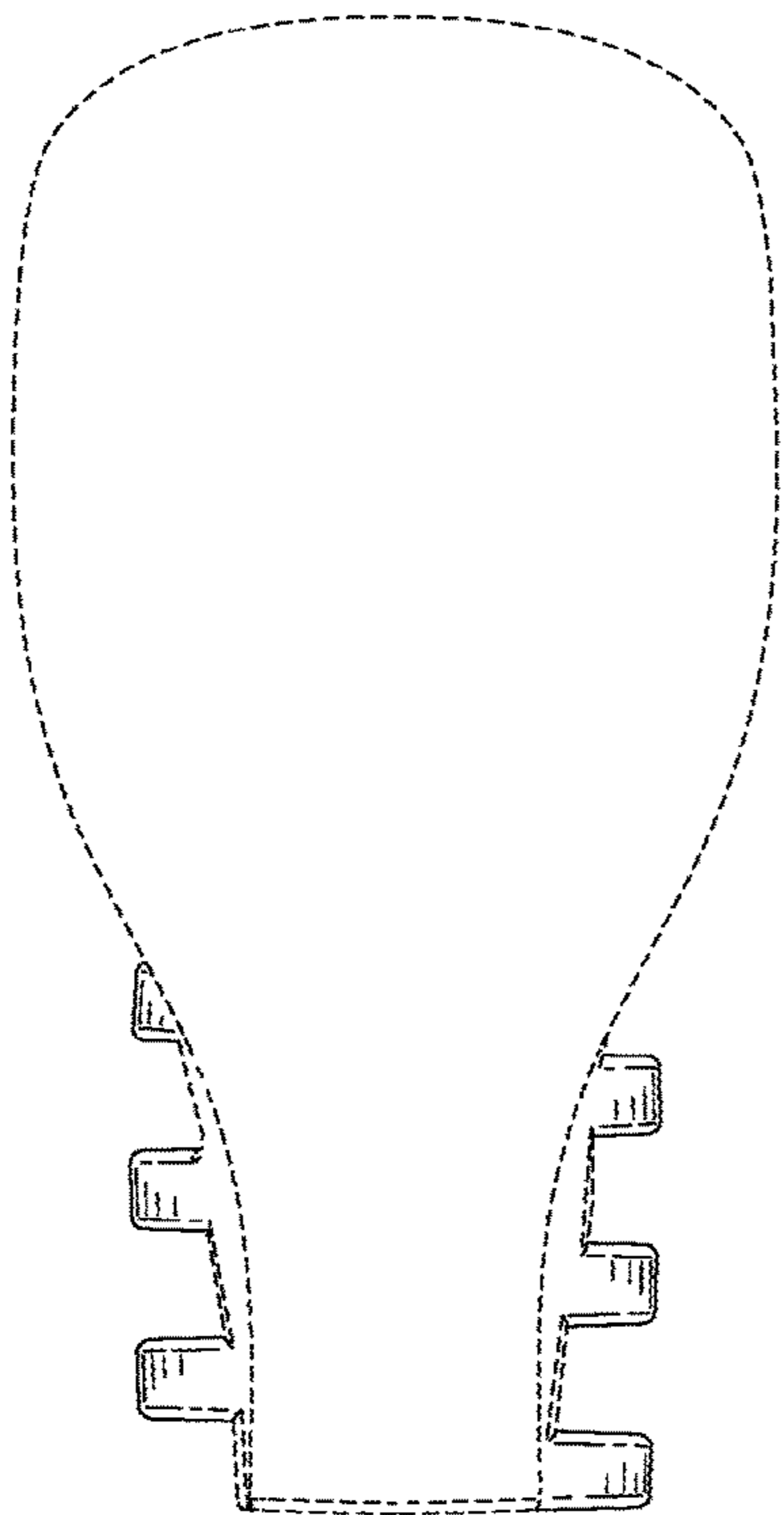


FIG. 4

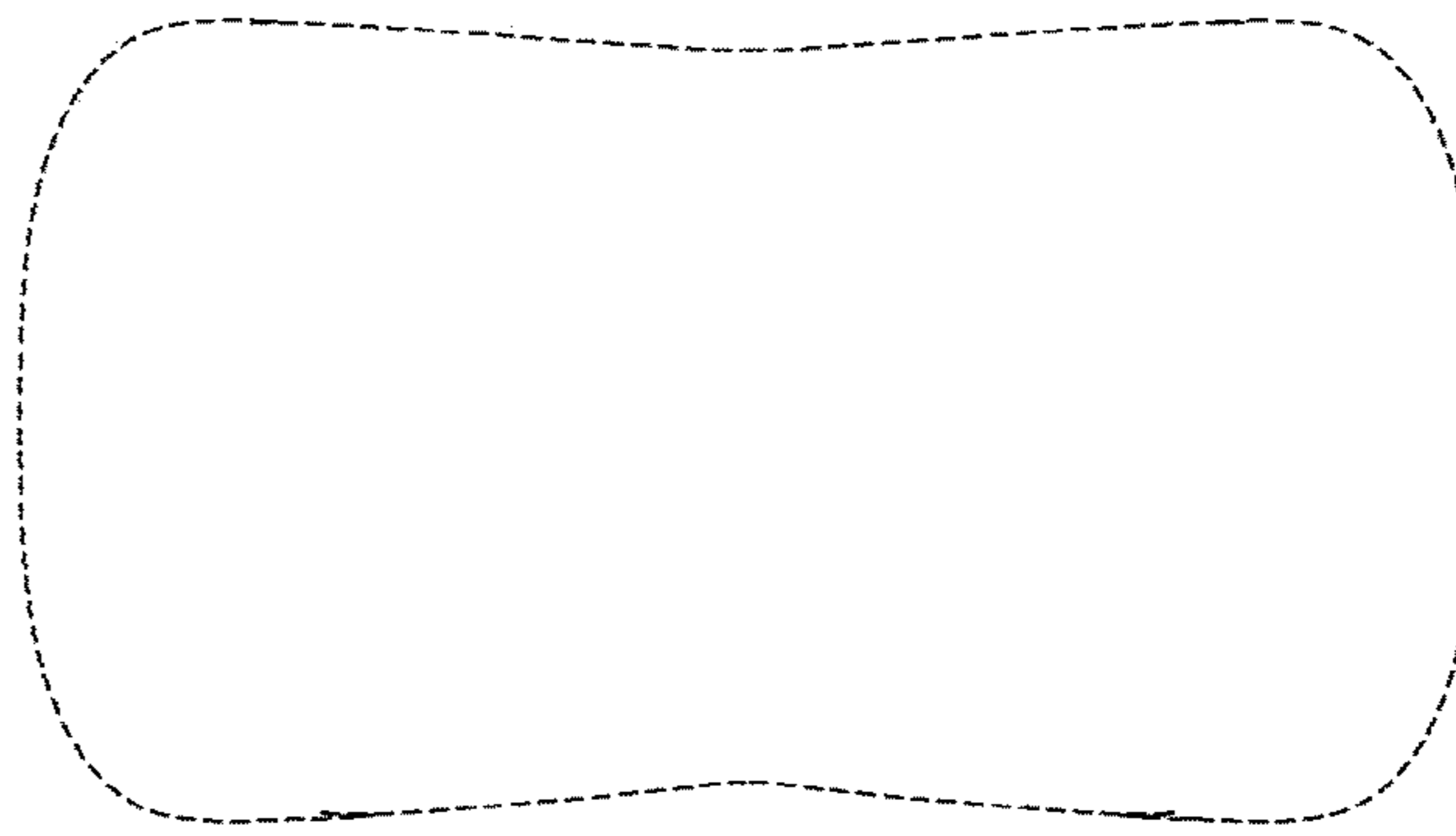


FIG. 5

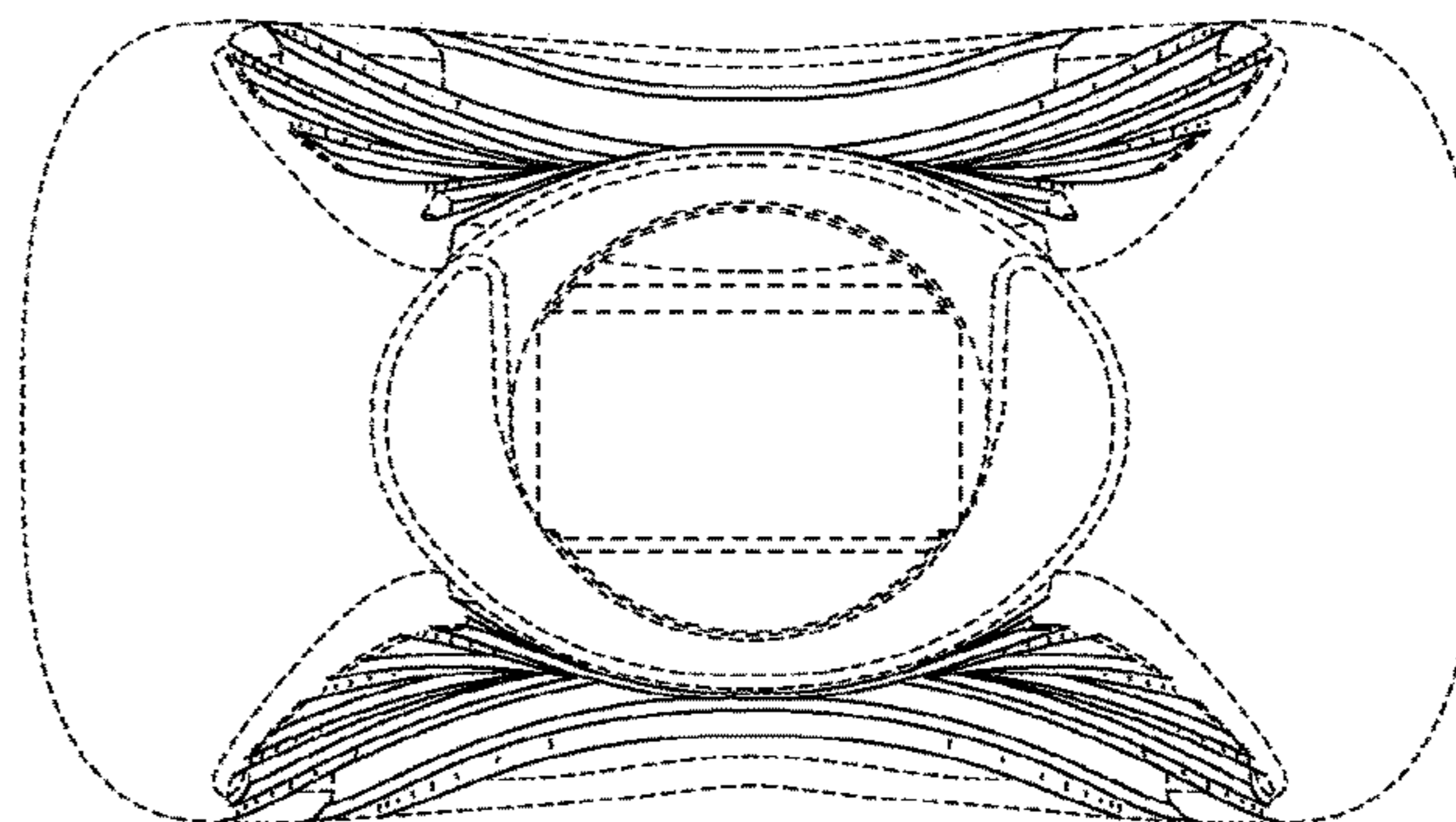


FIG. 6

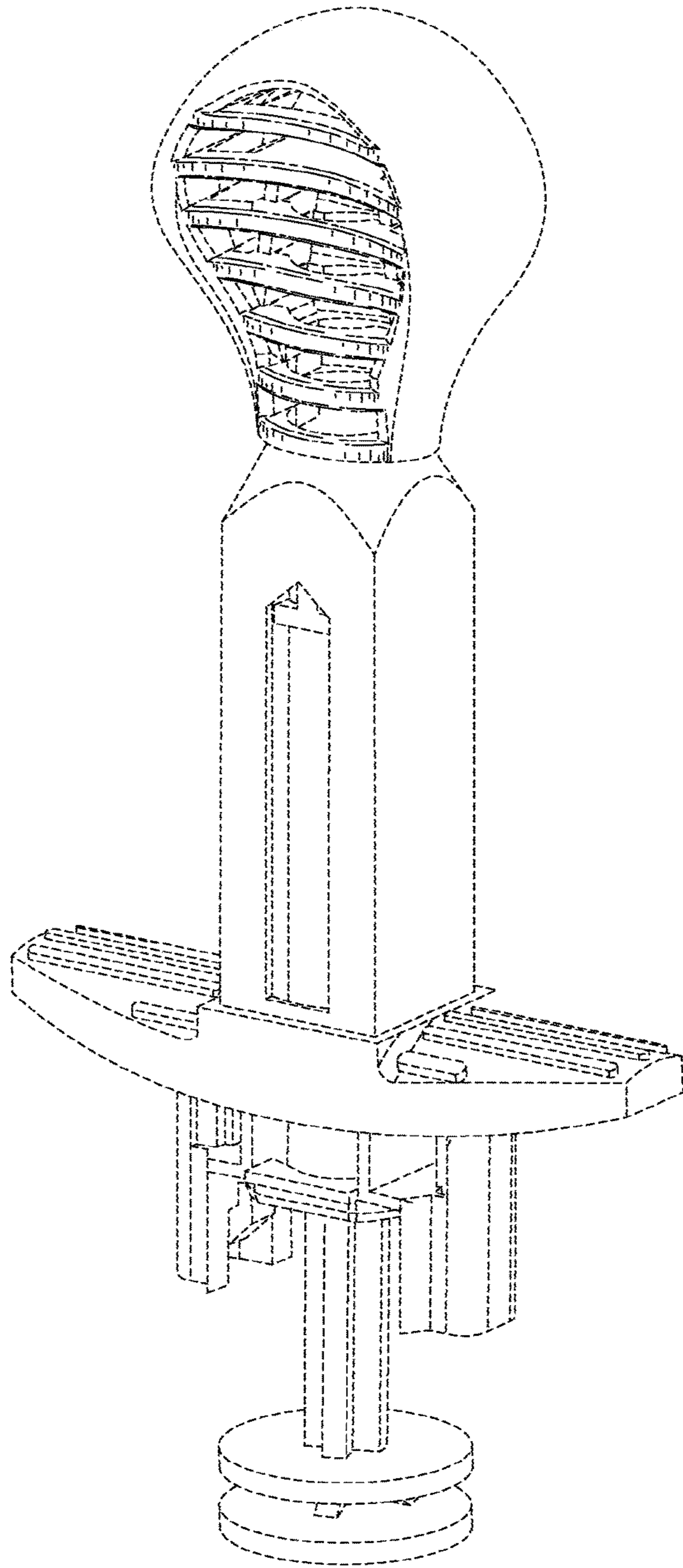


FIG. 7