



US00D858752S

(12) **United States Design Patent** (10) **Patent No.:** **US D858,752 S**  
**Musuku et al.** (45) **Date of Patent:** **\*\* Sep. 3, 2019**

- (54) **INTUBATION DEVICE** 5,337,735 A \* 8/1994 Salerno ..... A61B 1/2676  
385/117
- (71) Applicants: **Sridhar R. Musuku**, Watervliet, NY 5,584,290 A 12/1996 Brain  
(US); **Divya Cherukupalli**, Watervliet, 5,623,921 A 4/1997 Kinsinger et al.  
NY (US) 5,682,880 A 11/1997 Brain  
5,896,858 A 4/1999 Brain
- (72) Inventors: **Sridhar R. Musuku**, Watervliet, NY D410,286 S \* 5/1999 Tamirisa ..... D24/138  
(US); **Divya Cherukupalli**, Watervliet, 6,079,409 A 6/2000 Brain  
NY (US) 6,792,948 B2 9/2004 Brain  
(Continued)

(\*\*) Term: **15 Years**

**FOREIGN PATENT DOCUMENTS**

(21) Appl. No.: **29/681,831**

CN 203235108 U 10/2013  
CN 103463719 A 12/2013

(22) Filed: **Feb. 28, 2019**

(Continued)

**Related U.S. Application Data**

**OTHER PUBLICATIONS**

(63) Continuation of application No. 16/255,983, filed on Jan. 24, 2019.

LMA Supreme Airway, Chinook Medical Gear Inc, Product No. #01621PA, [https://www.chinookmed.com/01621pa/lma-supreme-airway.html], accessed Jan. 21, 2019.

(60) Provisional application No. 62/674,255, filed on May 21, 2018, provisional application No. 62/769,467, filed on Nov. 19, 2018.

*Primary Examiner* — Darlington Ly  
(74) *Attorney, Agent, or Firm* — Tech Valley Patent, LLC; John Pietrangelo

(51) **LOC (12) Cl.** ..... **24-02**

(57) **CLAIM**

(52) **U.S. Cl.**  
USPC ..... **D24/112**

The ornamental design for an intubation device, as shown and described.

(58) **Field of Classification Search**  
USPC ..... D24/133, 135, 136, 137, 138  
CPC ..... A61B 1/0014; A61B 1/0052; A61B 1/018;  
A61B 1/0125; A61B 1/267; A61B  
1/2676; G02B 6/0005; G02B 6/4298;  
G02B 27/20  
See application file for complete search history.

**DESCRIPTION**

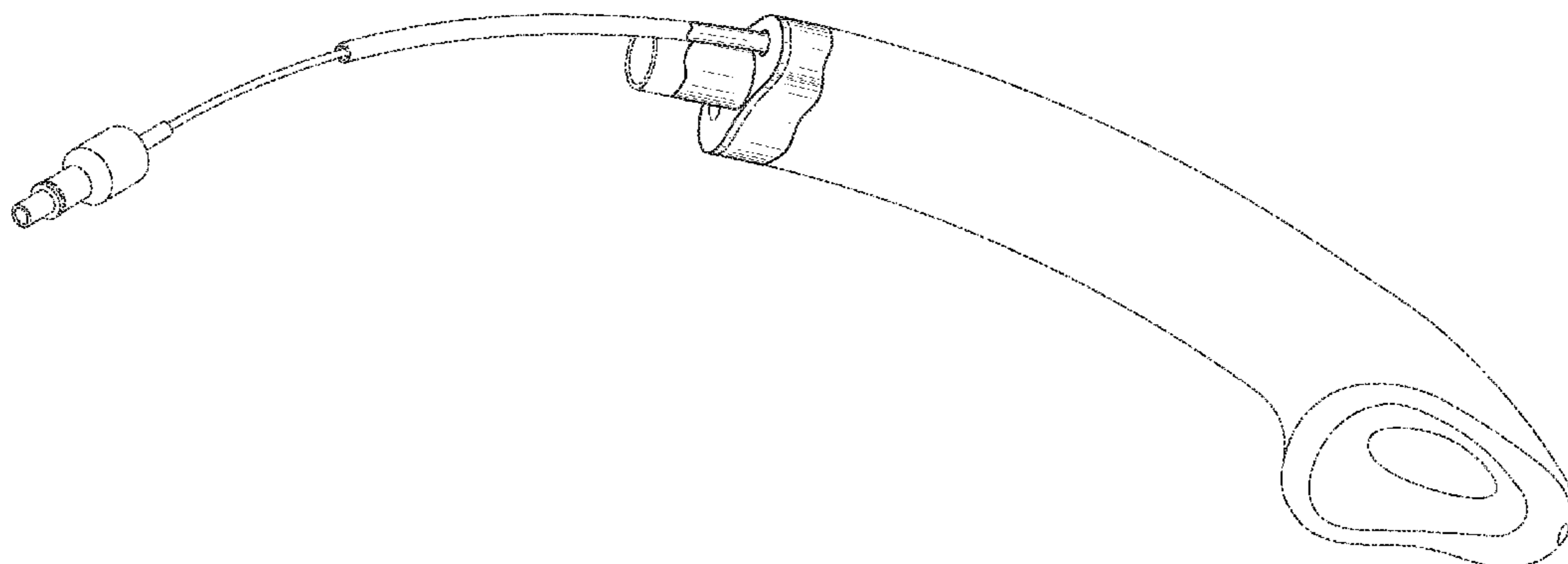
(56) **References Cited**

FIG. 1 is a perspective view of an intubation device showing our new design;  
FIG. 2 is a front elevation view thereof;  
FIG. 3 is a rear elevation view thereof;  
FIG. 4 is a right side elevation view thereof;  
FIG. 5 is a left side elevation view thereof;  
FIG. 6 is a top plan view thereof; and,  
FIG. 7 is a bottom plan view thereof.  
The broken lines in the drawings illustrate portions of the intubation device that form no part of the claimed design.

**U.S. PATENT DOCUMENTS**

- 3,913,568 A \* 10/1975 Carpenter ..... A61B 1/0055  
600/120
- 4,742,819 A \* 5/1988 George ..... A61B 1/00052  
348/73
- 5,303,697 A 4/1994 Brain

**1 Claim, 5 Drawing Sheets**



(56)

**References Cited**

## U.S. PATENT DOCUMENTS

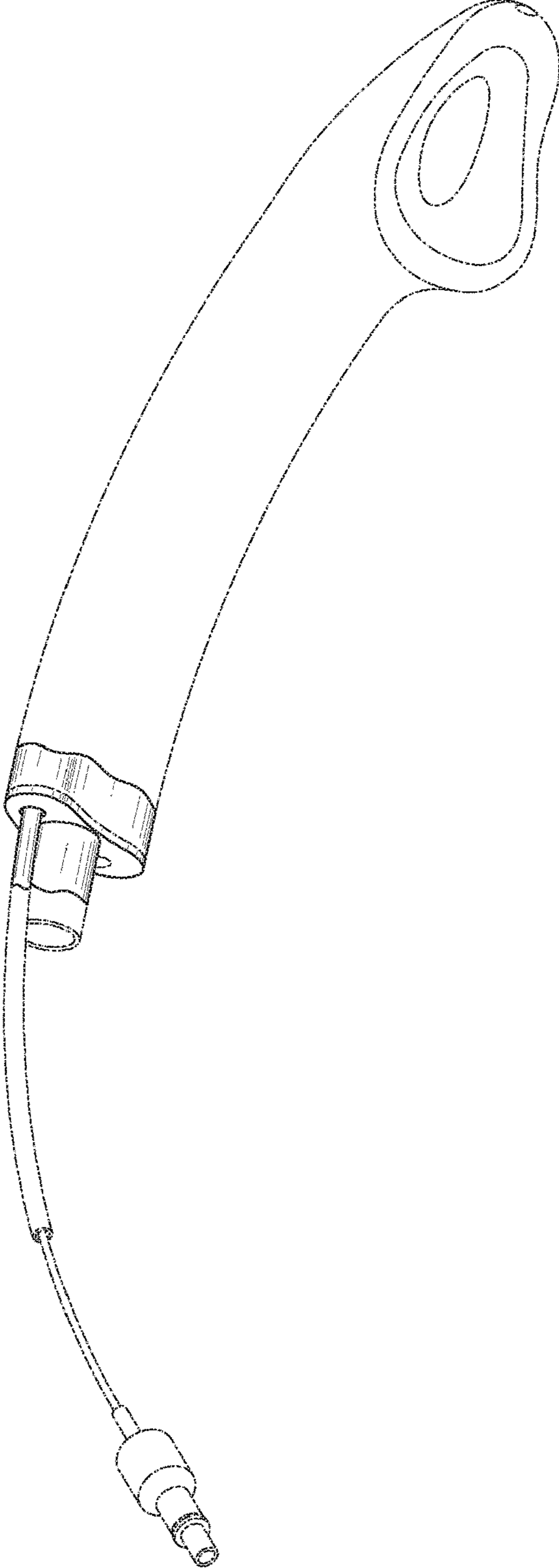
D497,428	S *	10/2004	Hayamizu	.....	D24/129
7,040,322	B2	5/2006	Fortuna		
D530,818	S *	10/2006	Lin	.....	D24/138
D580,549	S *	11/2008	Schwartz	.....	D24/133
D603,958	S *	11/2009	Schwartz	.....	D24/138
D603,959	S *	11/2009	Schwartz	.....	D24/138
D611,138	S	3/2010	Nasir		
D615,188	S	5/2010	Nasir		
7,762,261	B1	7/2010	Fortuna		
8,215,307	B2	7/2012	Nasir		
D695,401	S *	12/2013	Huels	.....	D24/137
10,182,712	B2 *	1/2019	Matthes	.....	A61B 1/267
2001/0050082	A1	12/2001	Christopher		
2004/0079364	A1	4/2004	Christopher		
2006/0180155	A1	8/2006	Glassenberg et al.		
2008/0060655	A1	3/2008	Brain		
2008/0308098	A1 *	12/2008	Schwartz	.....	A61M 16/0418 128/200.26
2013/0324798	A1	12/2013	Molnar et al.		
2014/0041673	A1	2/2014	Walters		
2015/0128946	A1	5/2015	Stix		
2015/0283346	A1	10/2015	Breslauer et al.		
2017/0232216	A1	8/2017	Nave et al.		

## FOREIGN PATENT DOCUMENTS

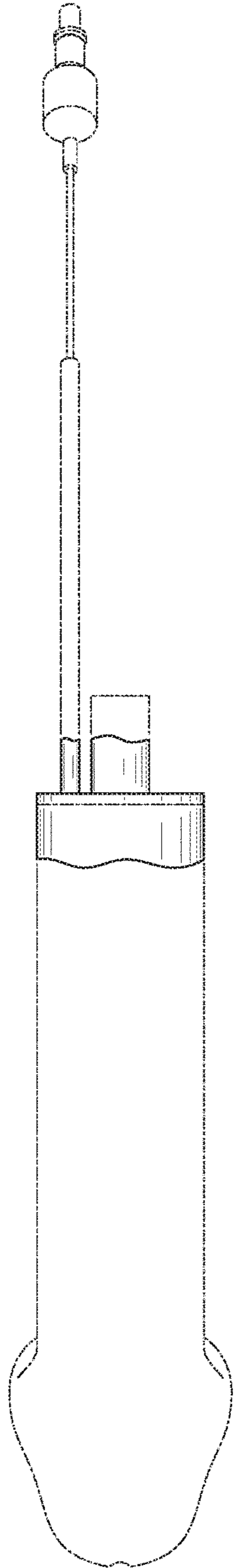
CN	203620024	U	6/2014
CN	203861713	U	10/2014
CN	104800941	A	7/2015
CN	204468927	U	7/2015
CN	204972582	U	1/2016
WO	2014127548	A1	8/2014
WO	2015113338	A1	8/2015

\* cited by examiner

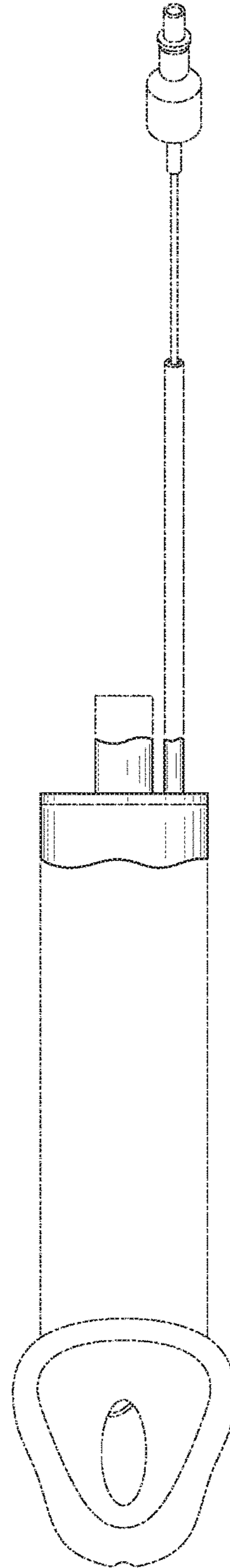
**FIG. 1**



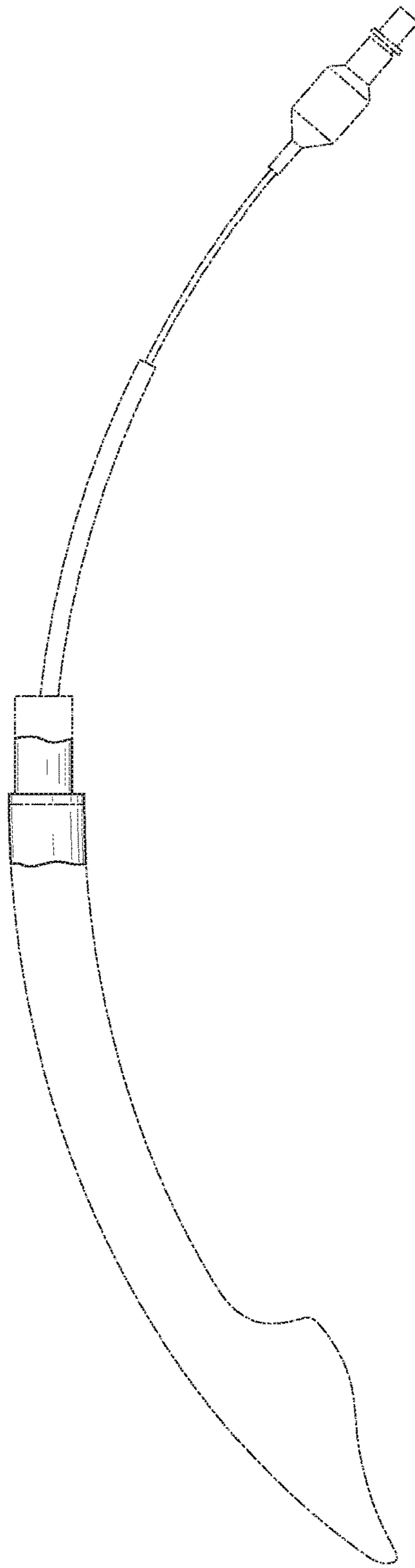
**FIG. 2**



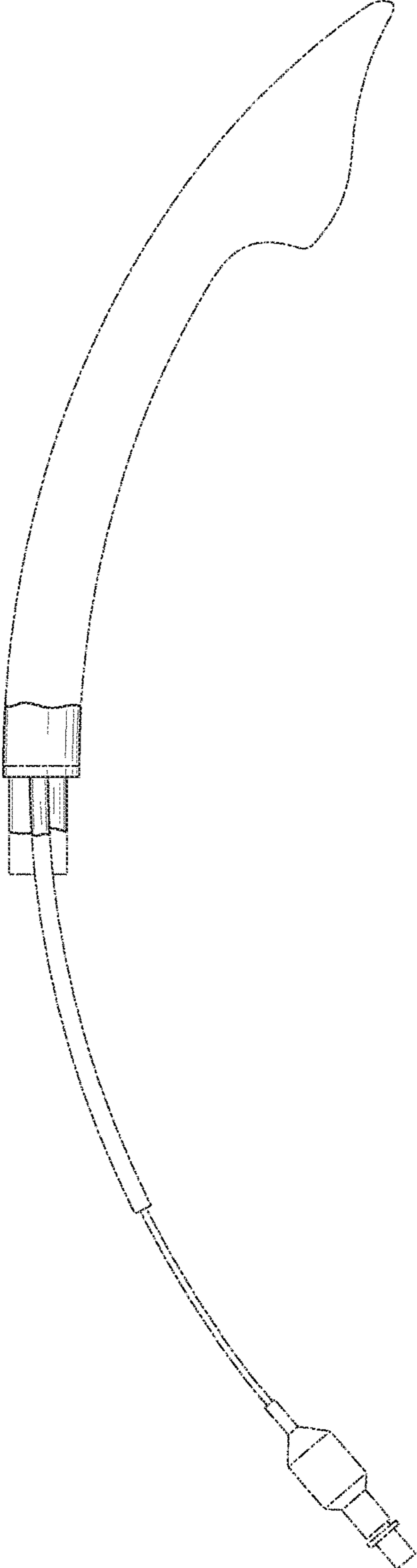
**FIG. 3**



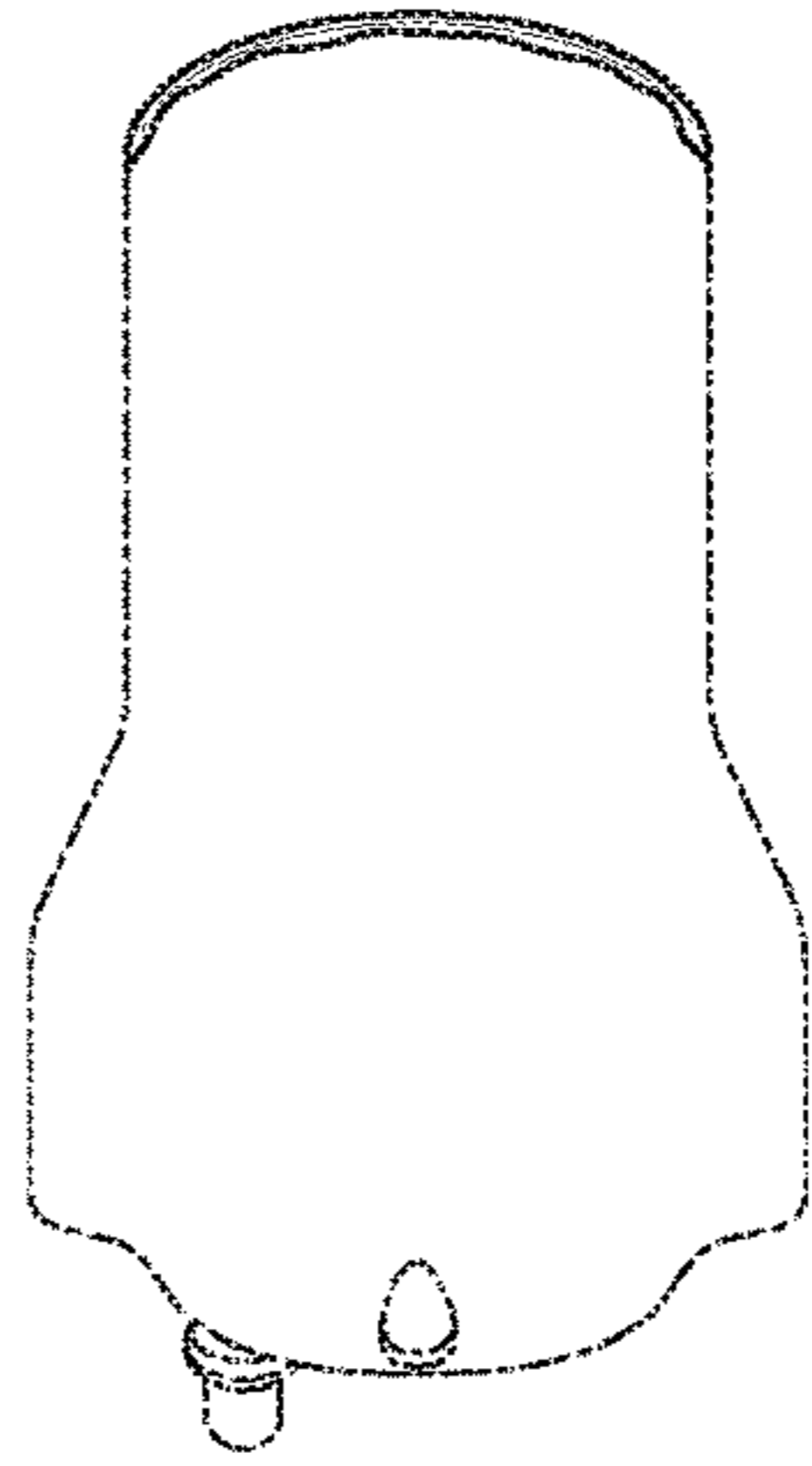
**FIG. 4**



**FIG. 5**



**FIG. 6**



**FIG. 7**

