



US00D858750S

(12) **United States Design Patent** (10) **Patent No.:** **US D858,750 S**
Porter et al. (45) **Date of Patent:** **** Sep. 3, 2019**

(54) **ORAL IRRIGATOR UNIT**

(71) Applicant: **WATER PIK, INC.**, Fort Collins, CO (US)

(72) Inventors: **Austin Rand Porter**, Seattle, WA (US);
Jeffrey Ladwig, Seattle, WA (US)

(73) Assignee: **WATER PIK, INC.**, Fort Collins, CO (US)

(**) Term: **15 Years**

(21) Appl. No.: **29/664,294**

(22) Filed: **Sep. 24, 2018**

Related U.S. Application Data

(63) Continuation of application No. 29/587,869, filed on Dec. 15, 2016, now Pat. No. Des. 833,000.

(51) **LOC (12) Cl.** **29-02**

(52) **U.S. Cl.**
USPC **D24/111**

(58) **Field of Classification Search**
USPC D24/108, 111-113, 133, 152, 176;
D4/101, 138
See application file for complete search history.

(56) **References Cited**

U.S. PATENT DOCUMENTS

D210,019 S * 1/1968 Johnson et al. 601/162
4,989,590 A * 2/1991 Baum A61C 1/0092
137/493.3

D725,770 S * 3/2015 Kim D24/111
D740,936 S * 10/2015 Kim D24/111
D764,051 S * 8/2016 Wang D24/111
D788,907 S * 6/2017 Kim D24/111
D798,440 S * 9/2017 Kim D24/111
2015/0173850 A1* 6/2015 Garrigues A61C 1/0092
433/80

* cited by examiner

Primary Examiner — Lilyana Bekic

Assistant Examiner — Aula Soroush

(74) *Attorney, Agent, or Firm* — Dorsey & Whitney LLP

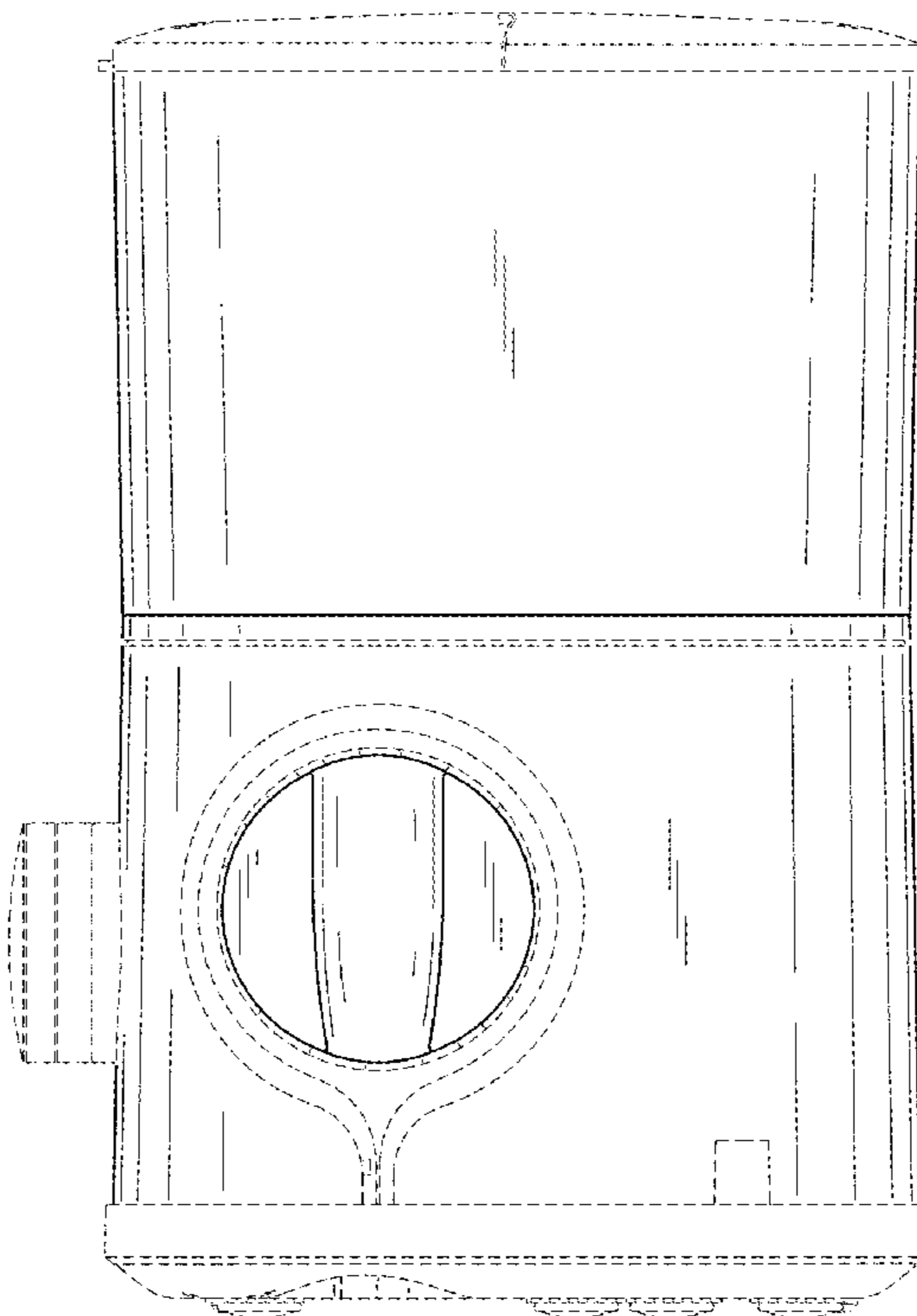
(57) **CLAIM**

We claim the ornamental design for an oral irrigator unit, as shown and described.

DESCRIPTION

FIG. 1 is a front isometric view of an oral irrigator unit according to the claimed design.
FIG. 2 is a front elevation view thereof.
FIG. 3 is a rear elevation view thereof.
FIG. 4 is a left side elevation view thereof.
FIG. 5 is a right side elevation view thereof.
FIG. 6 is a top plan view thereof; and,
FIG. 7 is a bottom plan view thereof.
The broken lines illustrate portions of the oral irrigator unit that form no part of the claimed design.

1 Claim, 7 Drawing Sheets



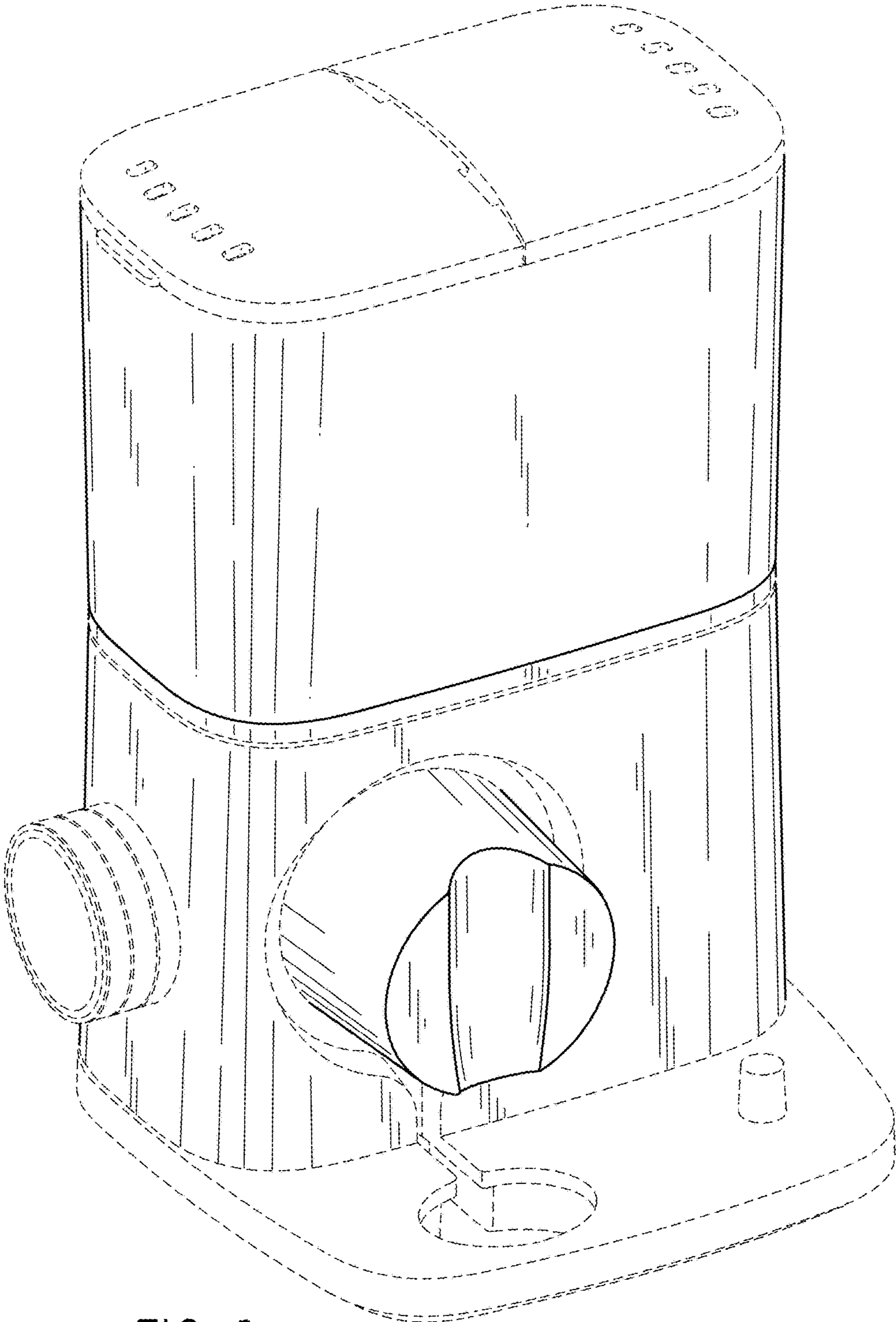


FIG. 1

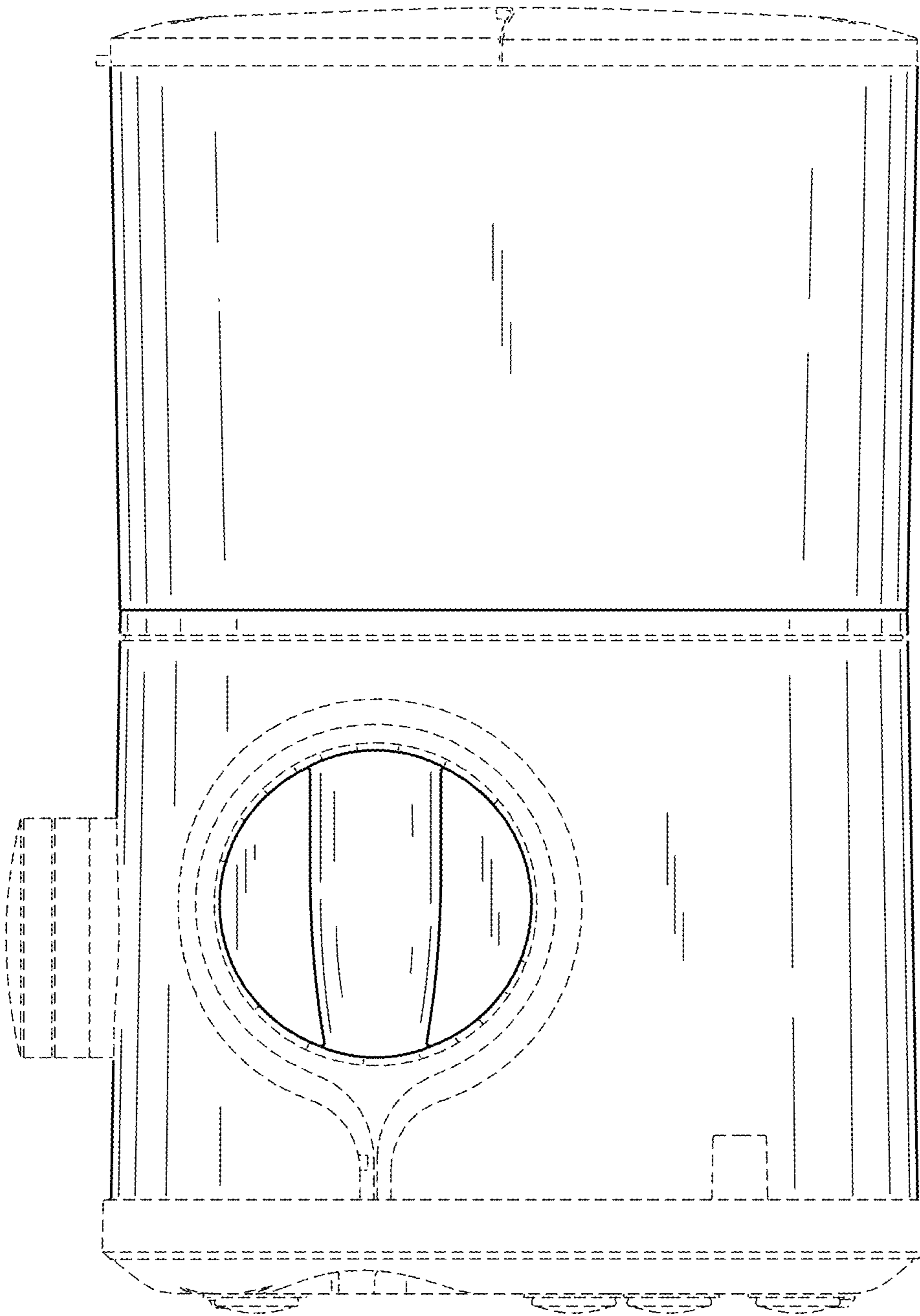


FIG. 2

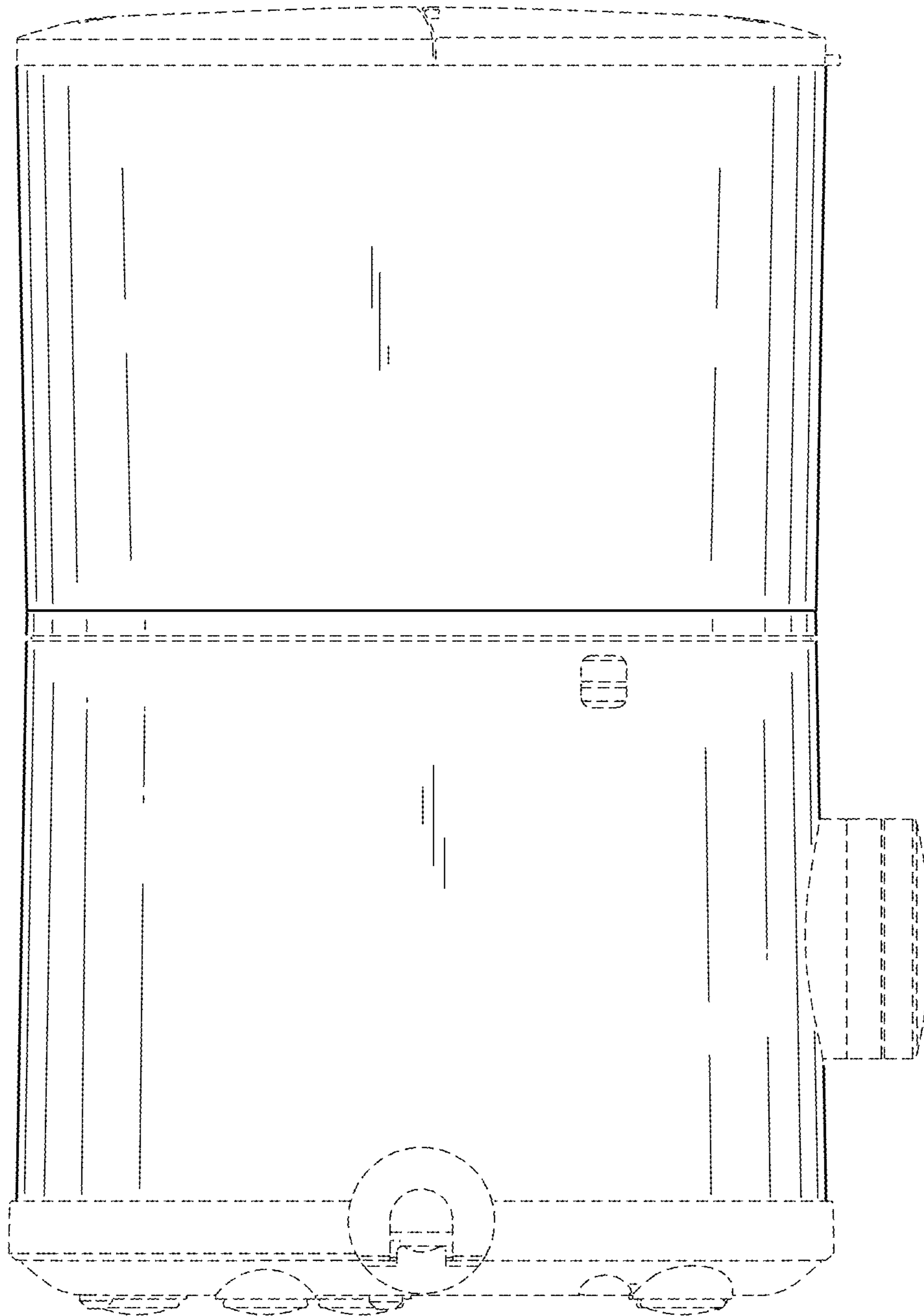


FIG. 3

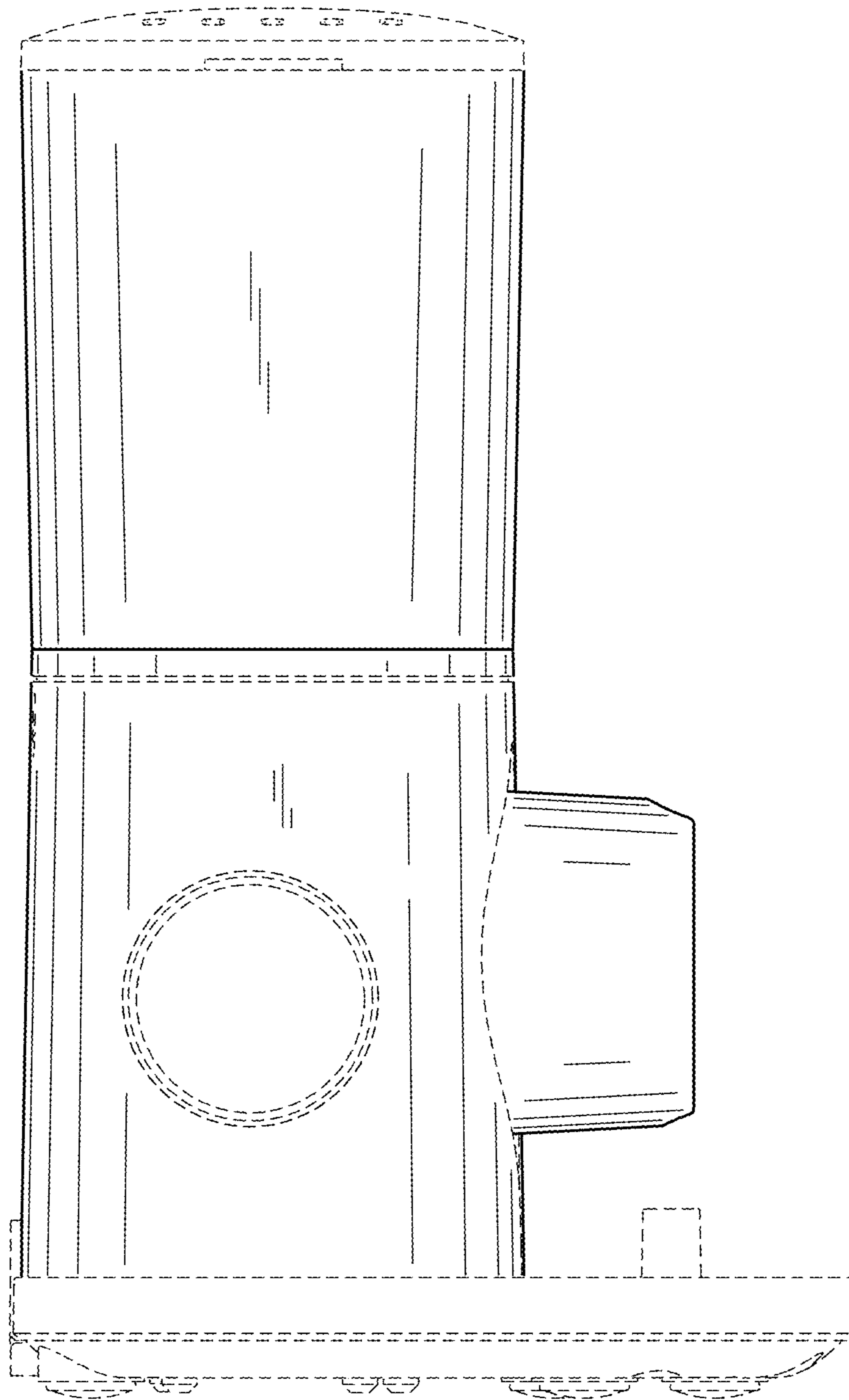


FIG. 4

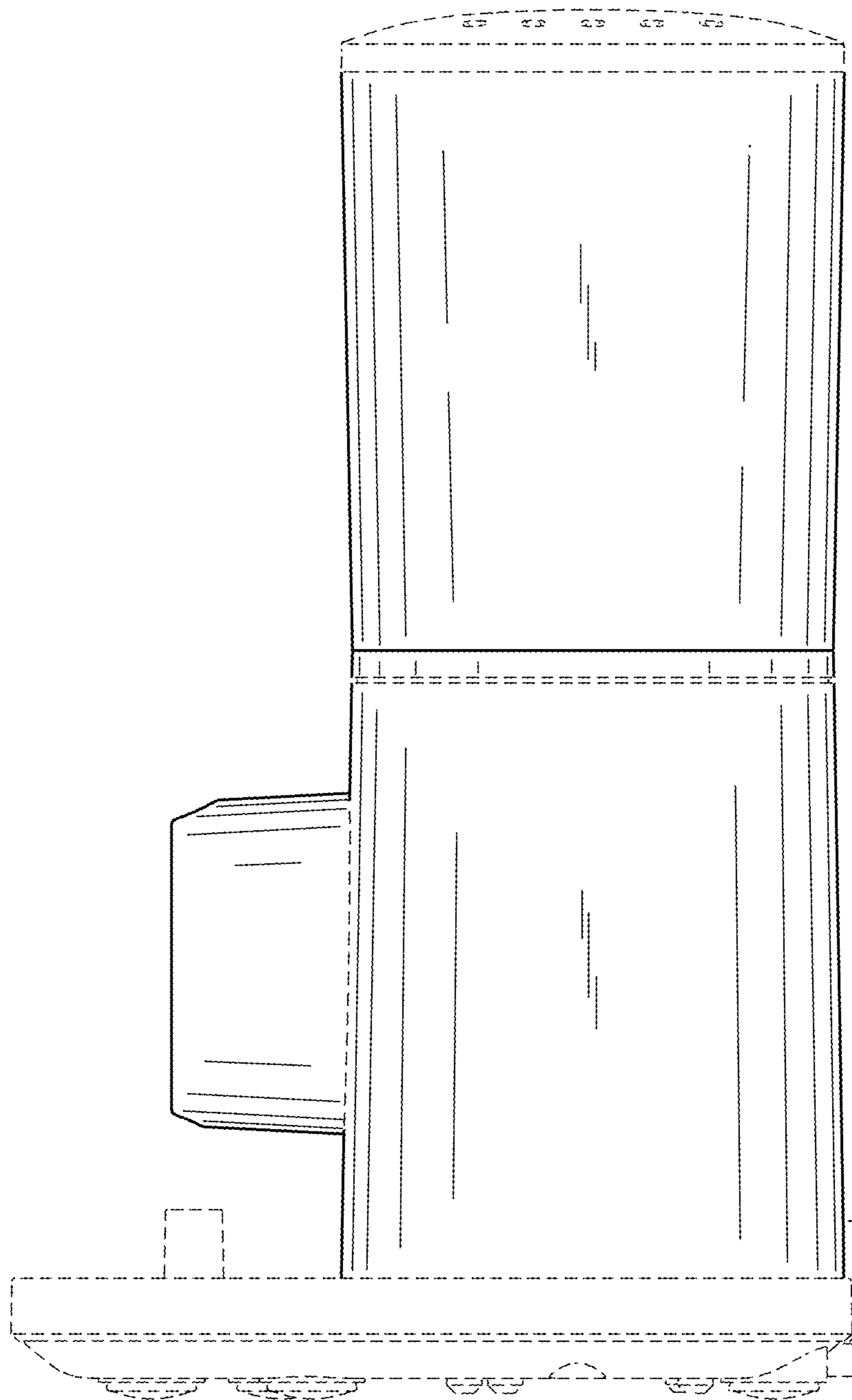


FIG. 5

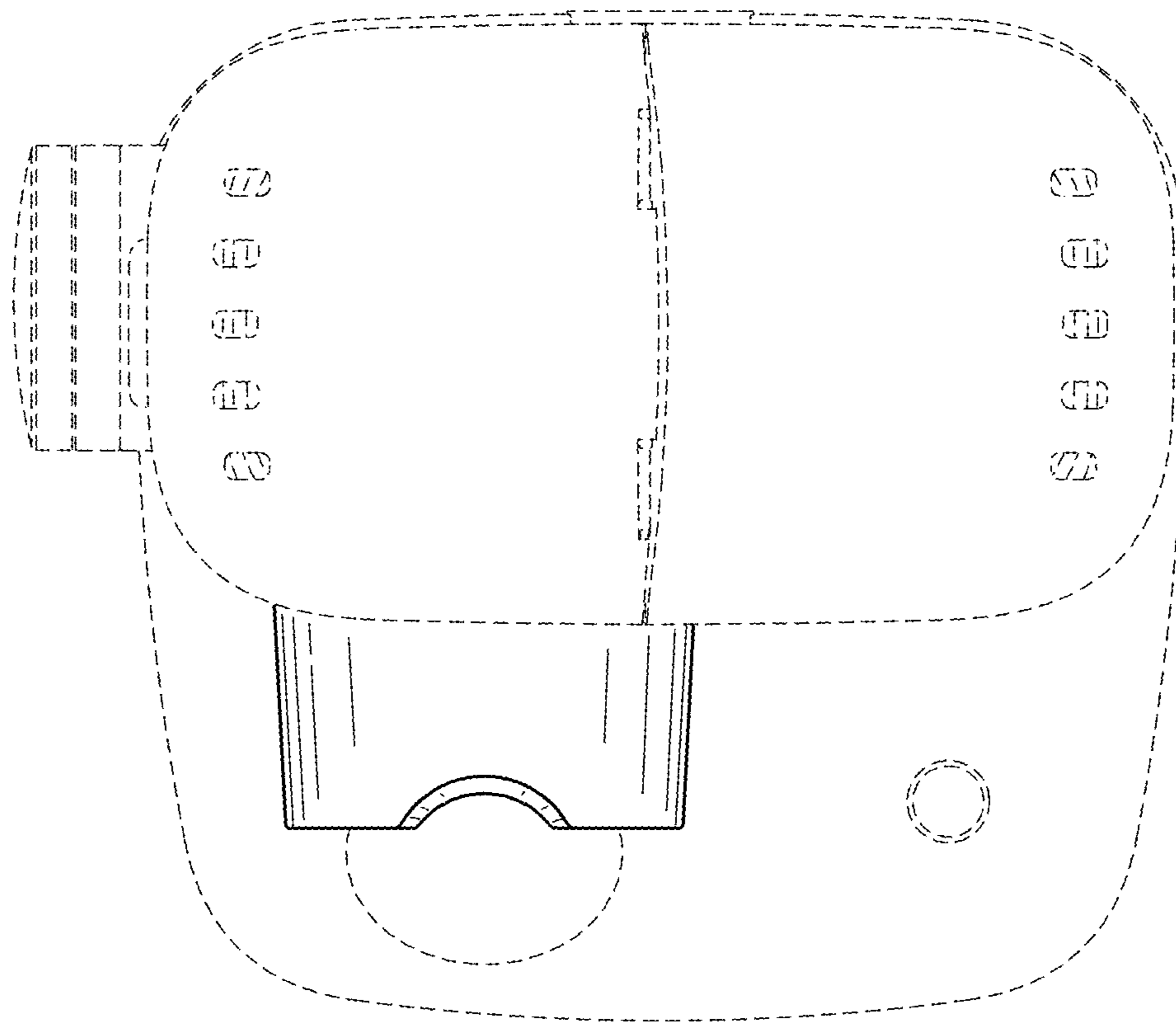


FIG. 6

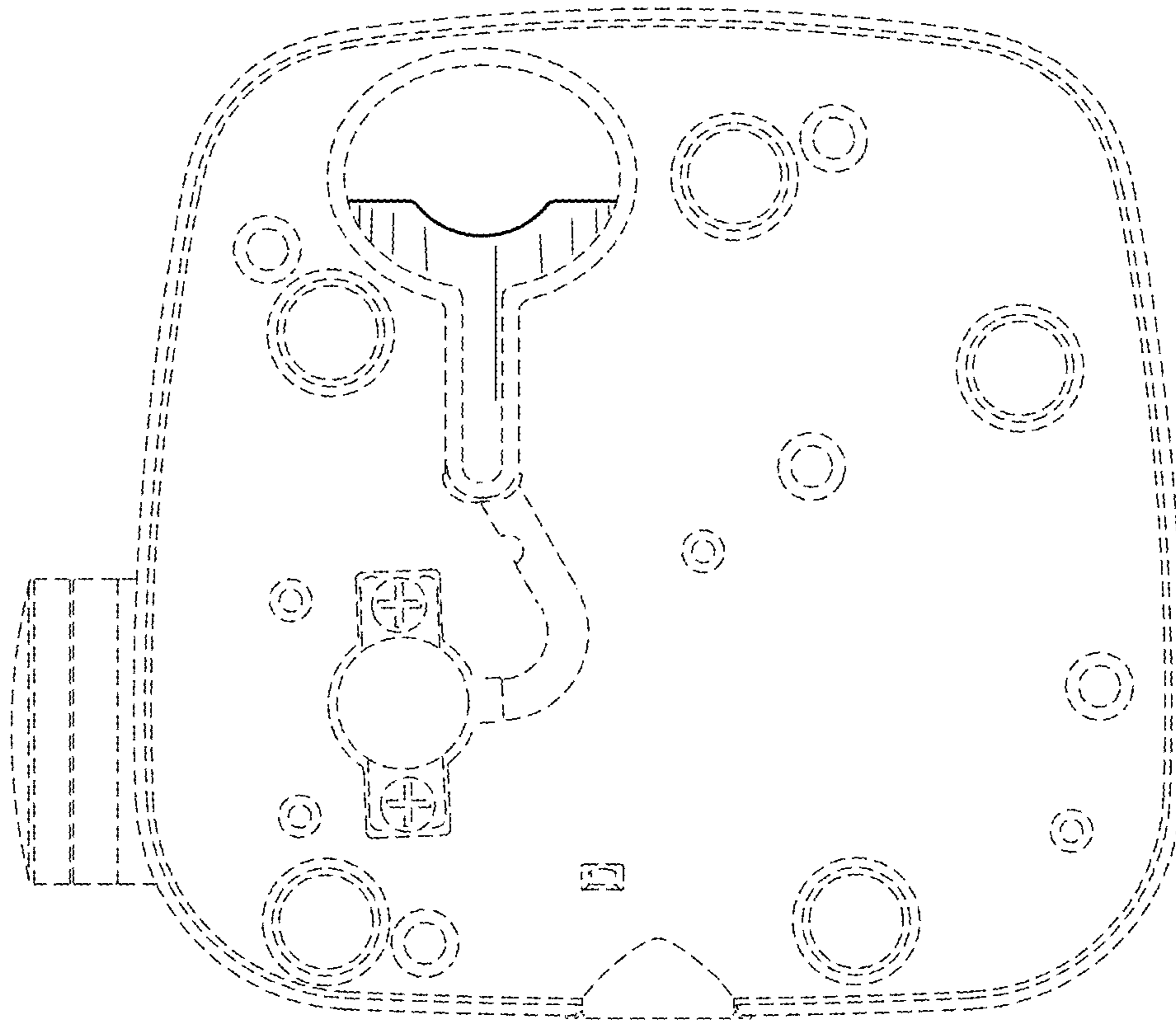


FIG. 7