



US00D858749S

(12) **United States Design Patent** (10) **Patent No.:** **US D858,749 S**  
**Konrad et al.** (45) **Date of Patent:** **\*\* Sep. 3, 2019**

(54) **MOUTH-HELD FILTER**

(71) Applicants: **Stephen P Konrad**, Leonardo, NJ (US);  
**Susan M Rhone**, Leonardo, NJ (US)

(72) Inventors: **Stephen P Konrad**, Leonardo, NJ (US);  
**Susan M Rhone**, Leonardo, NJ (US)

(\*\*) Term: **15 Years**

(21) Appl. No.: **29/620,182**

(22) Filed: **Aug. 6, 2016**

(51) **LOC (12) Cl.** ..... **29-02**

(52) **U.S. Cl.**  
USPC ..... **D24/110.1; D24/110.5**

(58) **Field of Classification Search**  
USPC ..... D24/110-110.1, 110.4, 110.5, 162  
CPC ..... A61M 16/0493; A61M 16/06; A61M  
16/0048; A61M 16/0616; A61M 16/0078;  
A61M 16/00; A62B 18/08; A62B 18/02;  
A62B 18/025; A62B 23/02; A62B 7/10  
See application file for complete search history.

(56) **References Cited**

**U.S. PATENT DOCUMENTS**

533,854 A	2/1895	Loeb	
D113,271 S *	2/1939	Lewis	D24/110.1
D150,569 S *	8/1948	Haller	D24/110.1
2,506,296 A *	5/1950	Gaddini	A62B 23/02
			128/204.15
2,610,624 A *	9/1952	Haller	A62B 18/00
			128/201.18
D203,640 S *	2/1966	Shugarman	D24/110.5
D245,121 S *	7/1977	Christianson	D24/110.6
4,098,270 A *	7/1978	Dolby	A62B 18/02
			128/206.12
4,146,026 A	3/1979	Montalvo	
D283,742 S	5/1986	Hall	
4,696,687 A	9/1987	Billet et al.	

(Continued)

**OTHER PUBLICATIONS**

Technical Datasheet—3M™ Disposable Escape Only Mouthpiece Respirators 5600 Series, 3M™ Personal Safety Division, © 2012.  
(Continued)

*Primary Examiner* — Lilyana Bekic  
(74) *Attorney, Agent, or Firm* — Brian K. Johnson, Esq., LLC

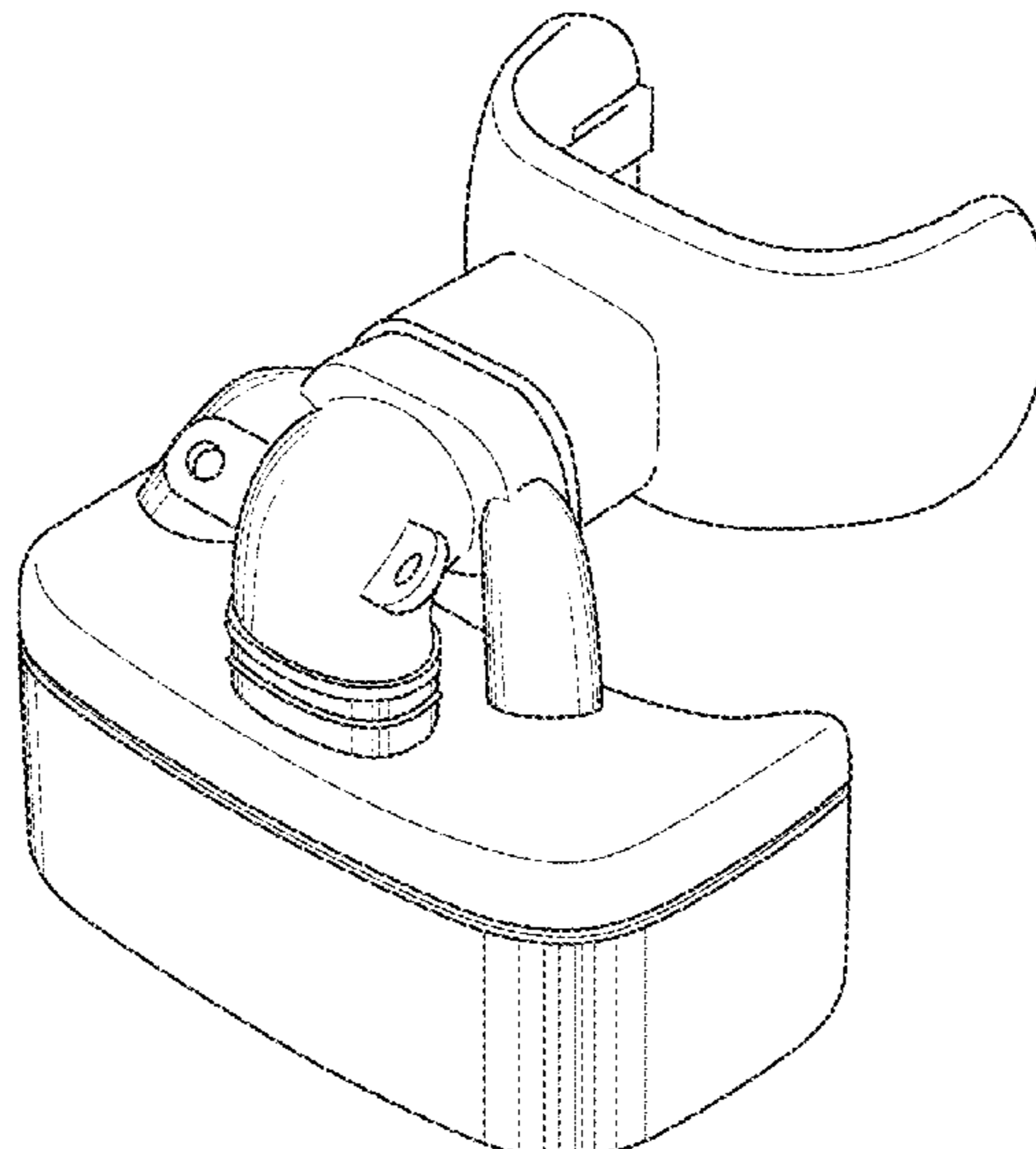
(57) **CLAIM**

The ornamental design for a mouth-held filter, as shown and described.

**DESCRIPTION**

A portion of the disclosure of this patent document may contain material, which is subject to copyright protection. The owner has no objection to the facsimile reproduction by any one of the patent document or the patent disclosure, as it appears in the Patent and Trademark Office patent file or records, but otherwise reserves all copyrights whatsoever. FIG. 1 is a perspective view of the mouth-held filter; FIG. 2 is a front view thereof; FIG. 3 is a back view thereof; FIG. 4 is a left side view thereof; FIG. 5 is a top view thereof; FIG. 6 is a bottom view thereof; FIG. 7 is an exploded view thereof; FIG. 8 is a perspective view of the filter component thereof; FIG. 9 is a perspective view of the mouth-held filter shown in an environment of use; and, FIG. 10 is a perspective view of the mouth-held filter showing an environment of additional add-on components thereof. The broken lines in FIGS. 9-10 depict environmental structure that forms no part of the claimed design.

**1 Claim, 6 Drawing Sheets**



(56)

References Cited

U.S. PATENT DOCUMENTS

D311,789 S 10/1990 Villarreal et al.  
 D320,473 S 10/1991 Mano et al.  
 5,086,768 A \* 2/1992 Niemeyer ..... A62B 9/06  
 128/205.24  
 D325,780 S \* 4/1992 Policappelli ..... D24/162  
 D326,534 S 5/1992 Baez et al.  
 D326,540 S 5/1992 Scholey  
 5,226,412 A \* 7/1993 Winters ..... A62B 23/00  
 128/205.29  
 5,303,701 A 4/1994 Heiss et al.  
 D347,494 S 5/1994 Mustelier, Jr.  
 5,315,987 A 5/1994 Swann  
 5,524,616 A \* 6/1996 Smith ..... A62B 9/00  
 128/202.22  
 5,603,317 A \* 2/1997 Farmer ..... A41D 13/1146  
 128/205.27  
 D396,283 S 7/1998 Scholey  
 6,758,212 B2 7/2004 Swann  
 7,025,060 B1 \* 4/2006 Nicholson ..... A62B 23/06  
 128/206.17  
 D555,786 S 11/2007 Jemt  
 D564,135 S 3/2008 Cherry et al.  
 D569,499 S \* 5/2008 McCullough ..... D24/110  
 D626,215 S 10/2010 Collazo et al.  
 D648,845 S 11/2011 Omura et al.  
 D656,231 S 3/2012 Henry et al.  
 D664,250 S 7/2012 Schneider et al.  
 D665,494 S 8/2012 Stallard et al.  
 8,397,726 B2 \* 3/2013 Evensson ..... A62B 9/06  
 128/205.29

D680,215 S 4/2013 Campbell  
 D685,462 S 7/2013 Lang et al.  
 D686,315 S 7/2013 Lee  
 D692,126 S 10/2013 Lee  
 D692,999 S 11/2013 Huth et al.  
 D694,400 S 11/2013 Maurer  
 D697,203 S 1/2014 Clarke et al.  
 D710,990 S 8/2014 Brain  
 D719,254 S 12/2014 Moore et al.  
 D730,511 S 5/2015 Mark et al.  
 D743,022 S 11/2015 Chien  
 D754,328 S 4/2016 Bowsher  
 D754,845 S 4/2016 Duran  
 9,339,669 B2 \* 5/2016 Kay ..... A61M 16/1045  
 9,560,887 B2 \* 2/2017 Folkvord ..... A41D 13/11  
 2003/0234016 A1 12/2003 Swann  
 2006/0081249 A1 \* 4/2006 Duxbury ..... A62B 23/06  
 128/205.27  
 2009/0151728 A1 \* 6/2009 McConnell ..... A62B 7/10  
 128/206.19  
 2017/0050058 A1 \* 2/2017 Konrad ..... A62B 23/02  
 2017/0252588 A1 \* 9/2017 Key ..... A62B 23/02

OTHER PUBLICATIONS

Product Listing—Western Safety Products Inc., Western Safety Products, [Retrieval Date—May 3, 2016]. <<http://www.westernsafety.com/products/north2009/northrespirators2009/northres09pg1.html>>.

\* cited by examiner

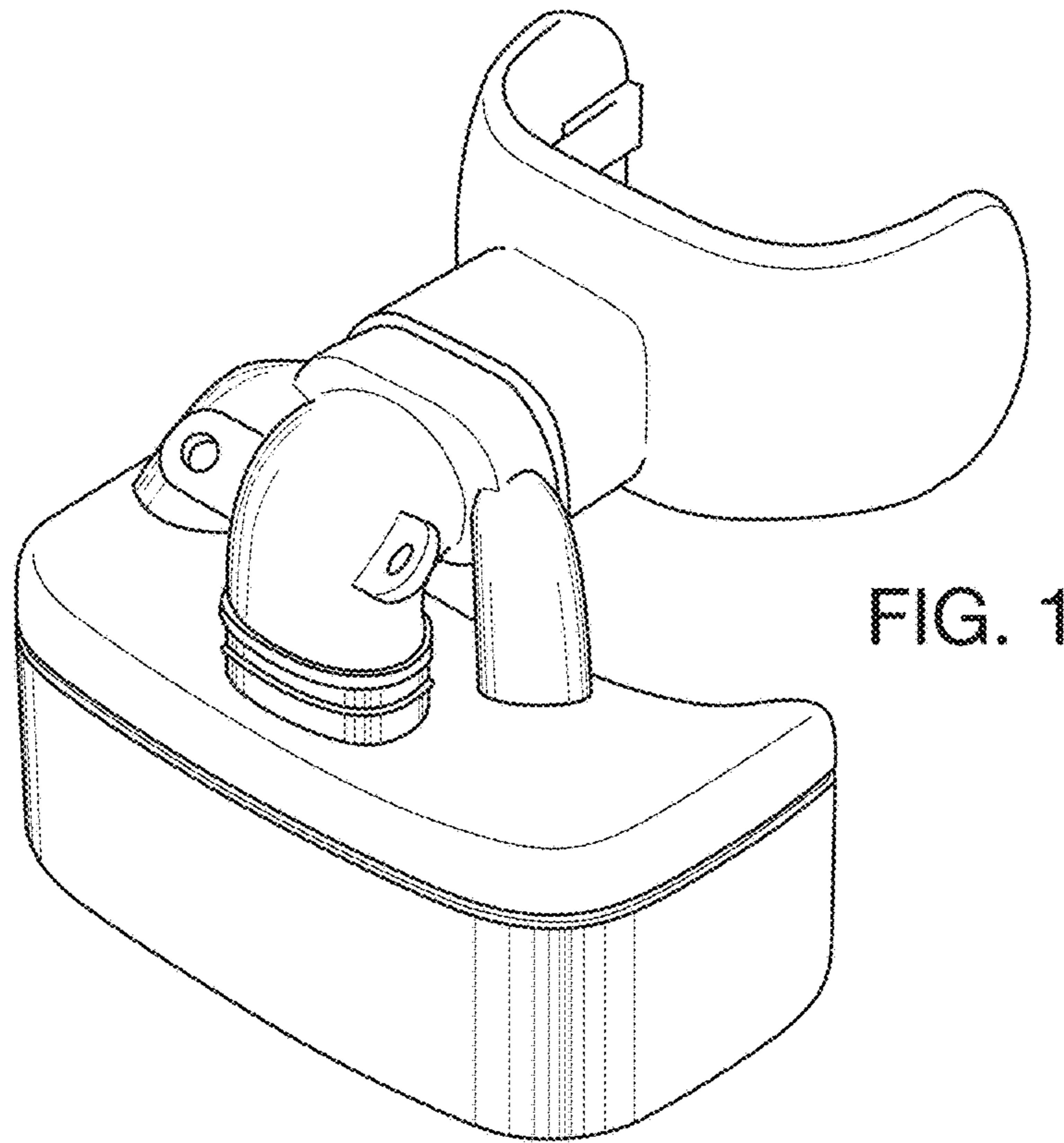


FIG. 1

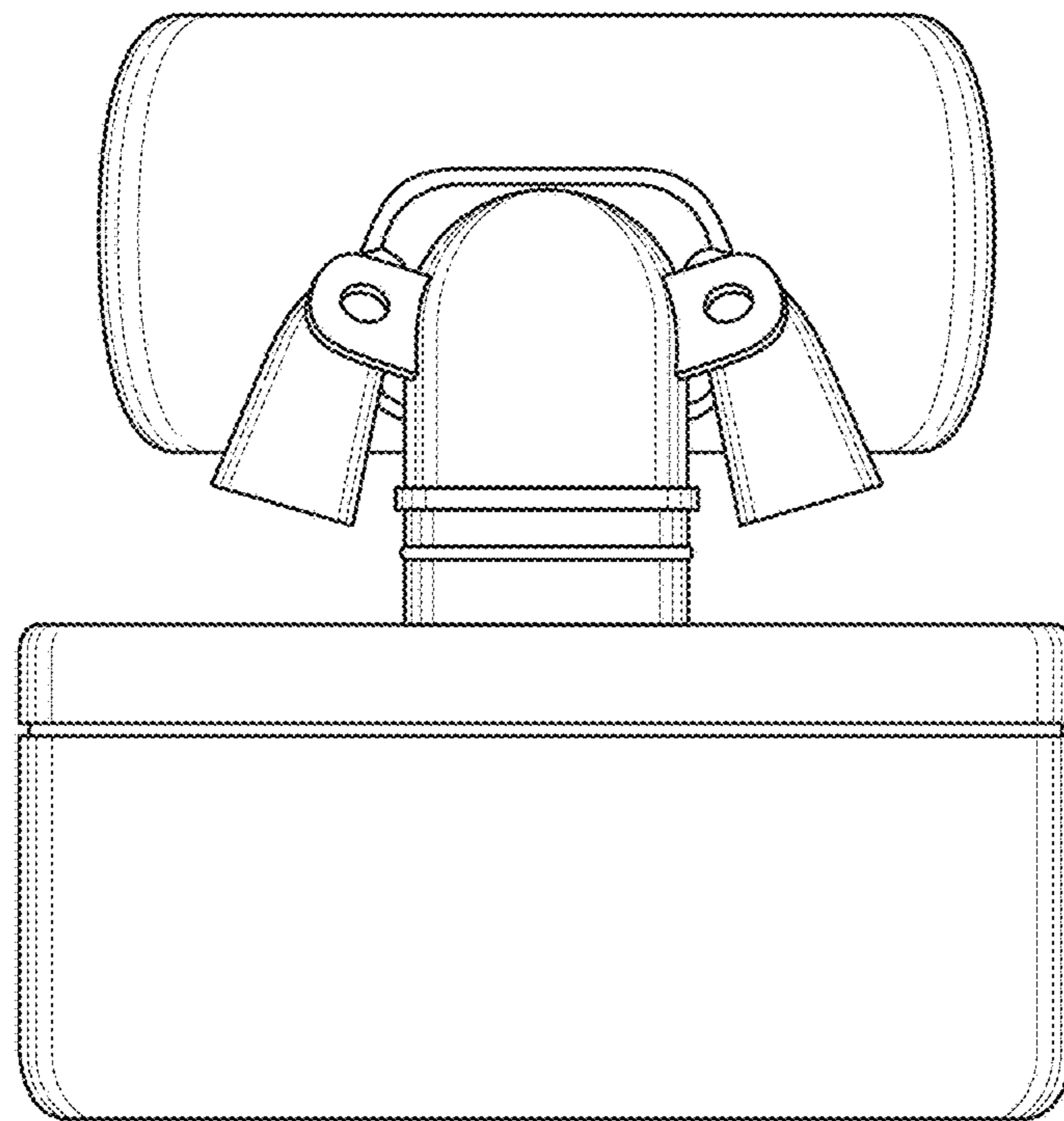


FIG. 2

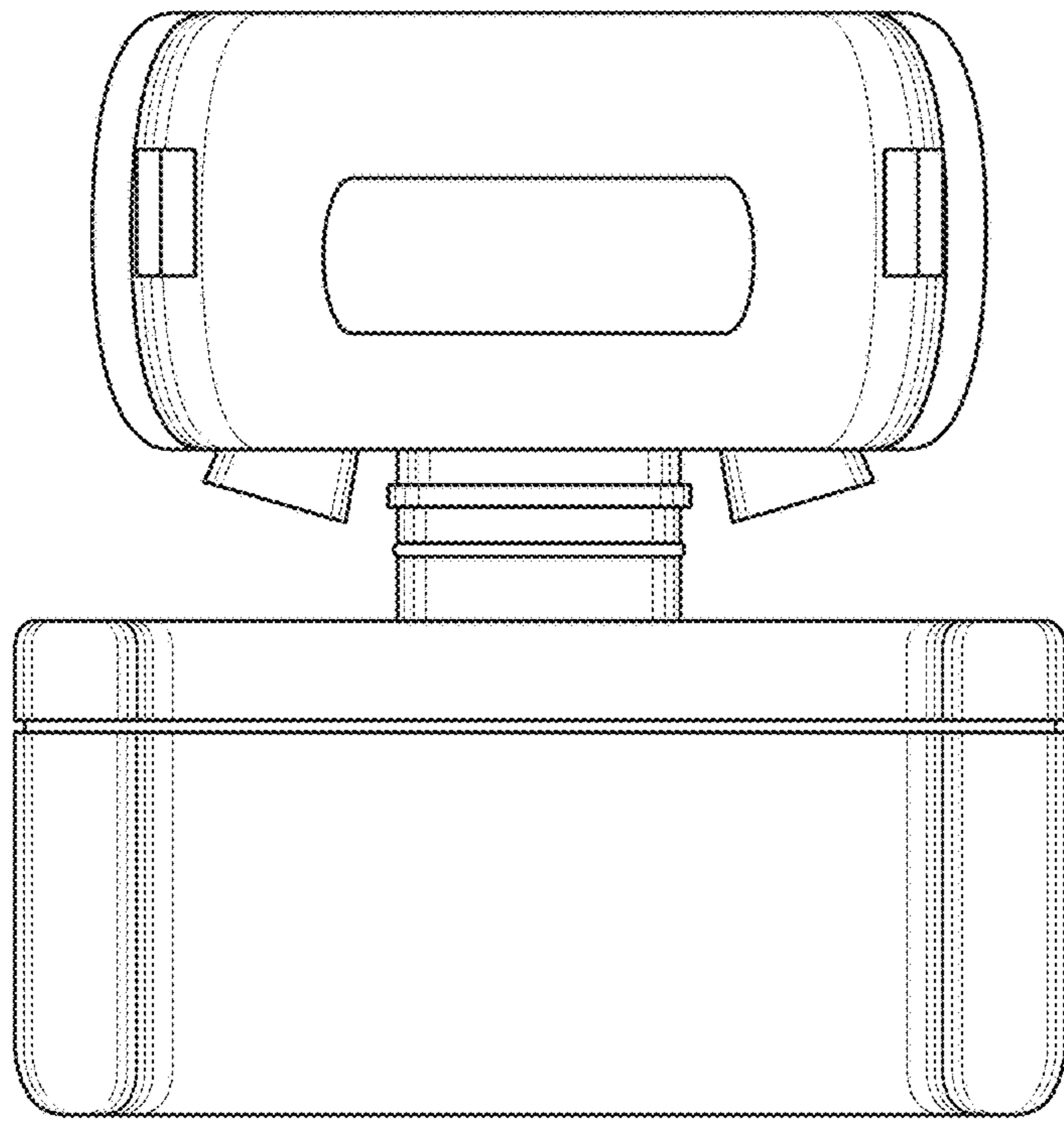


FIG. 3

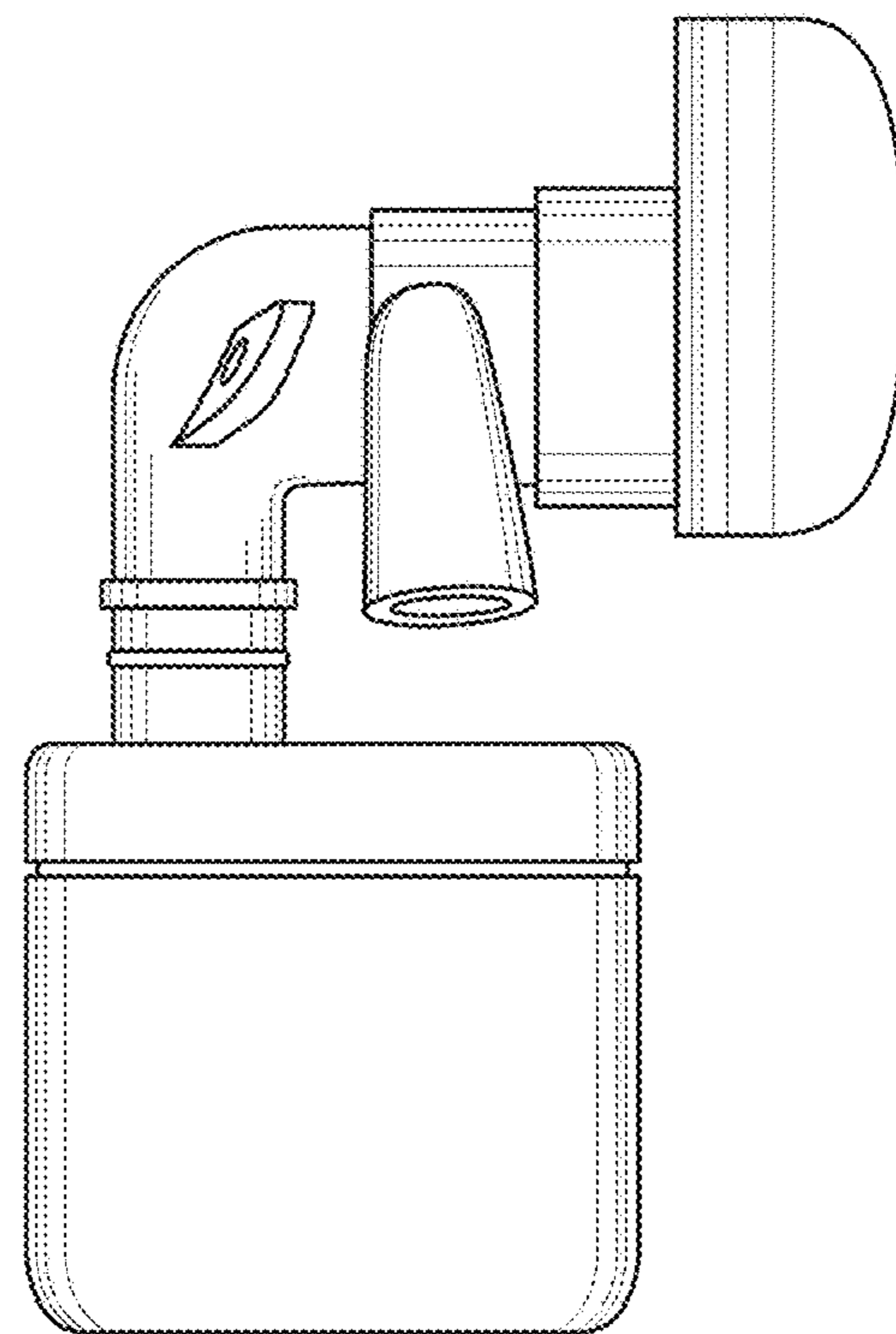


FIG. 4

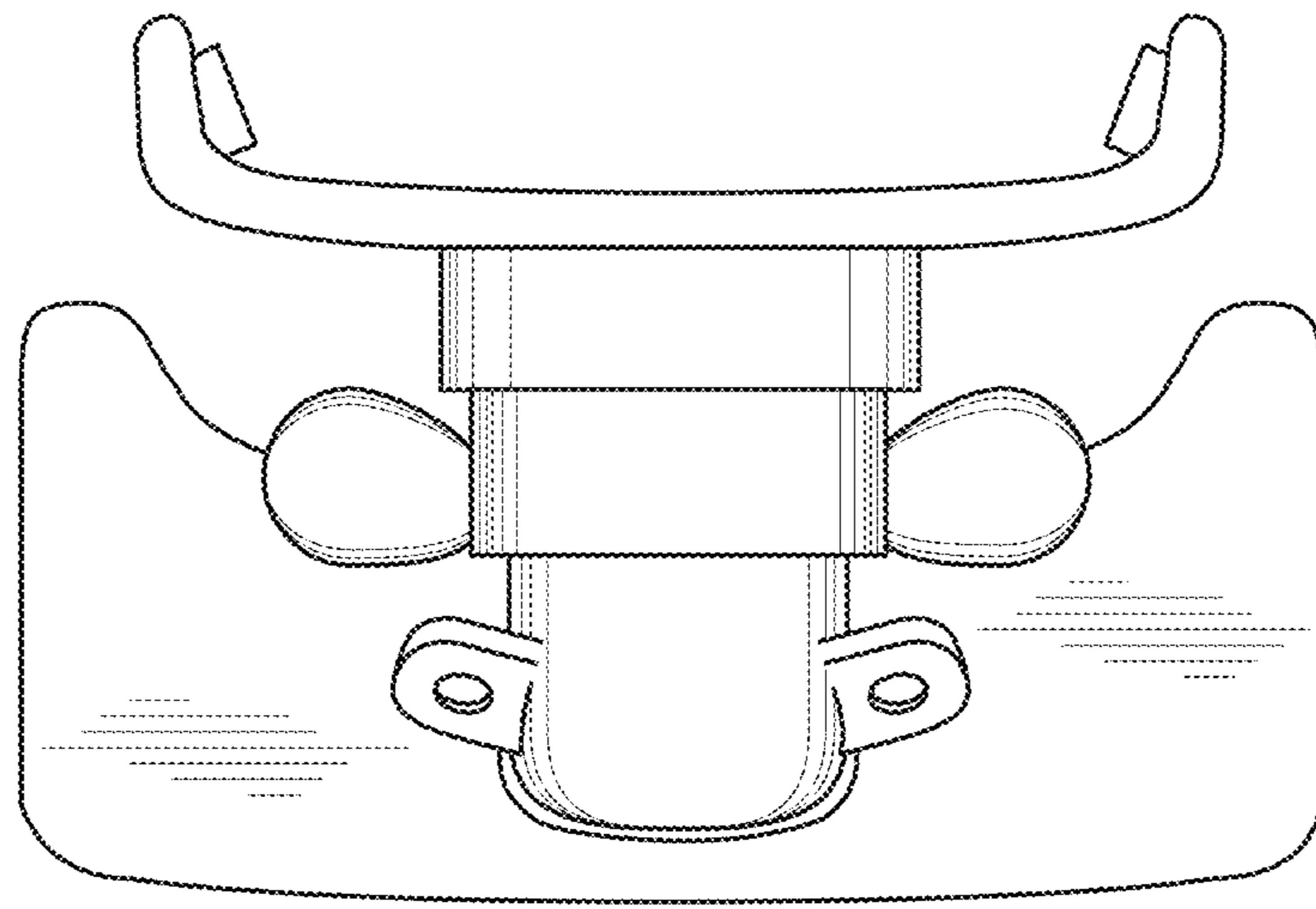


FIG. 5

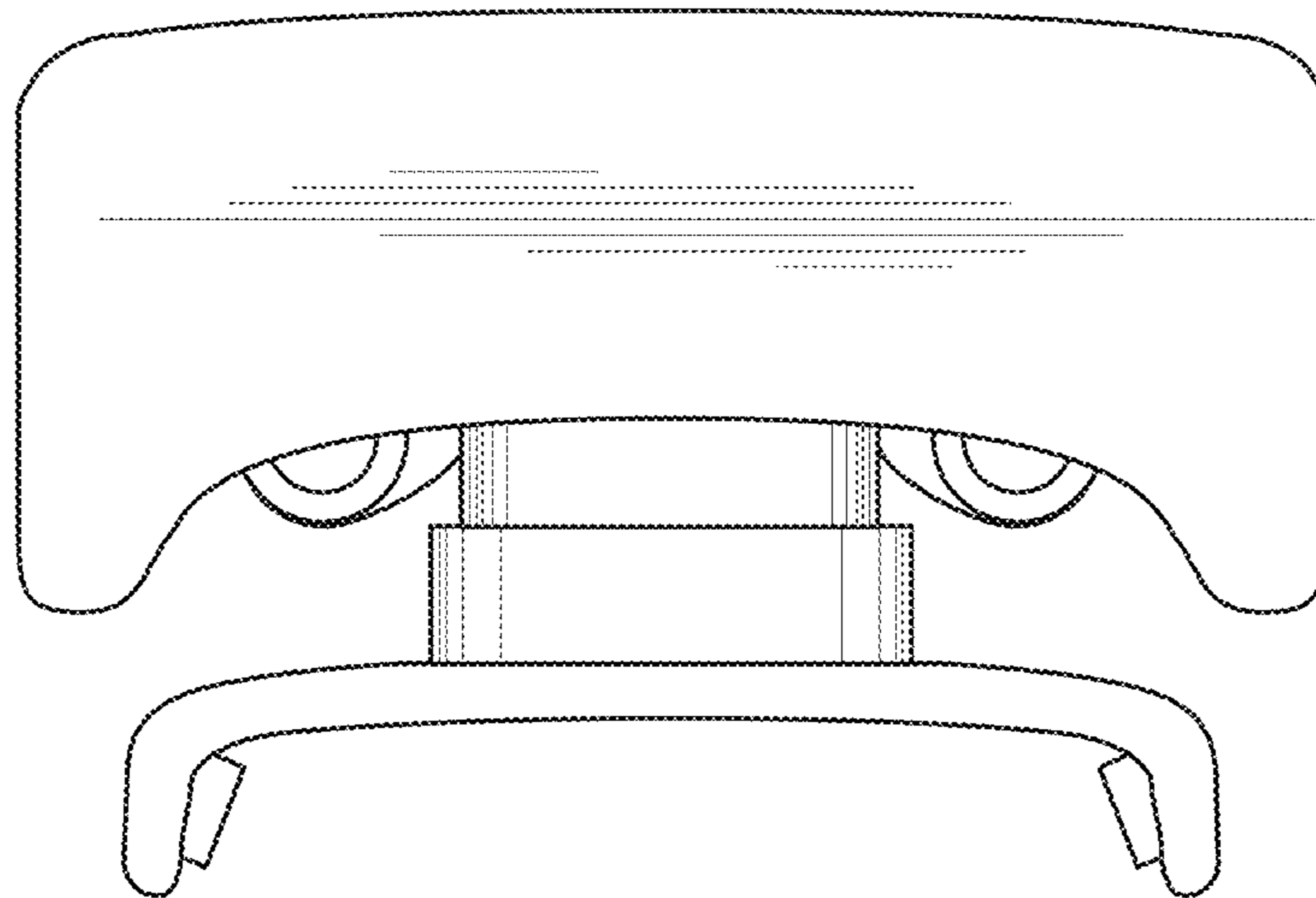
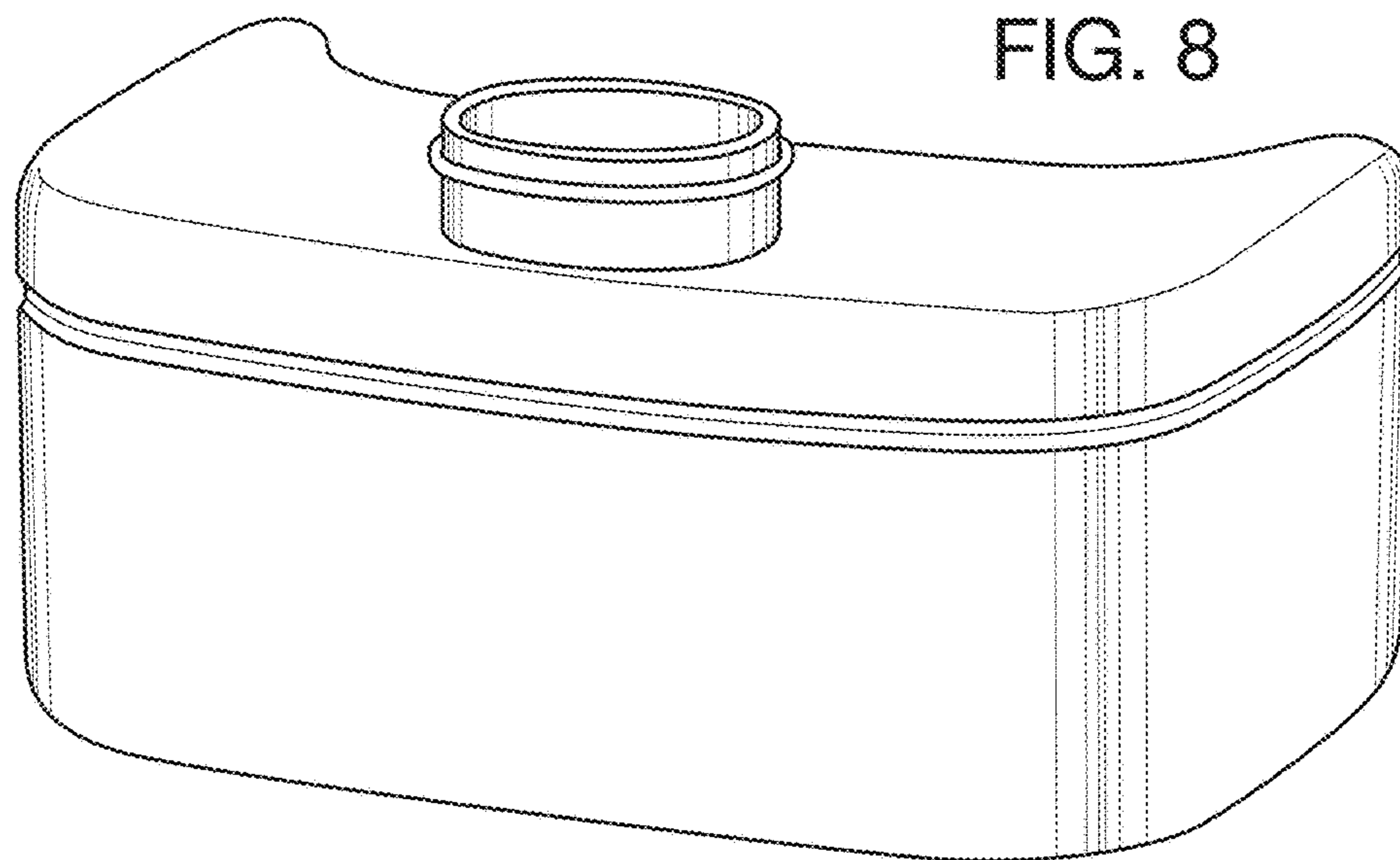
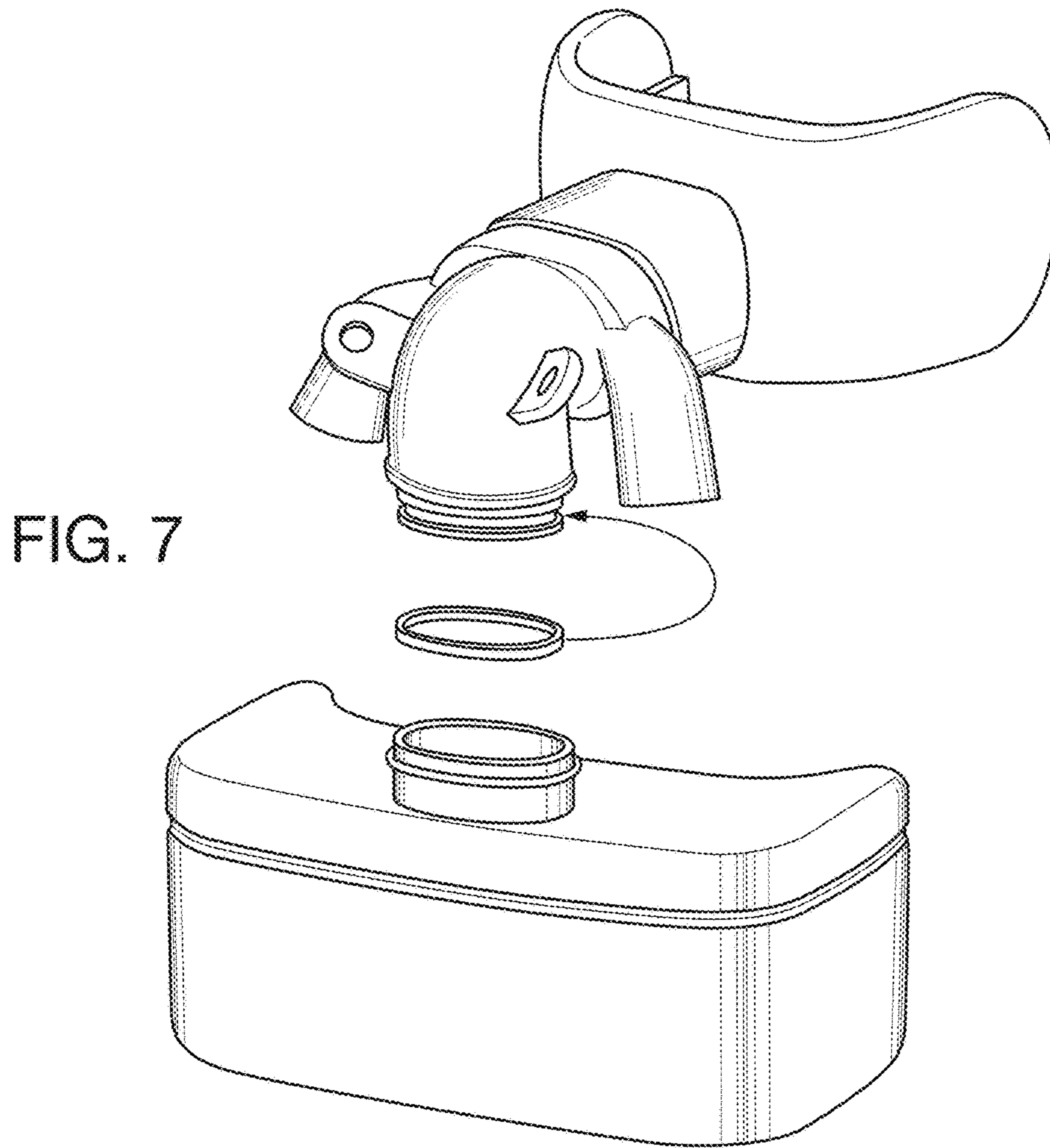


FIG. 6



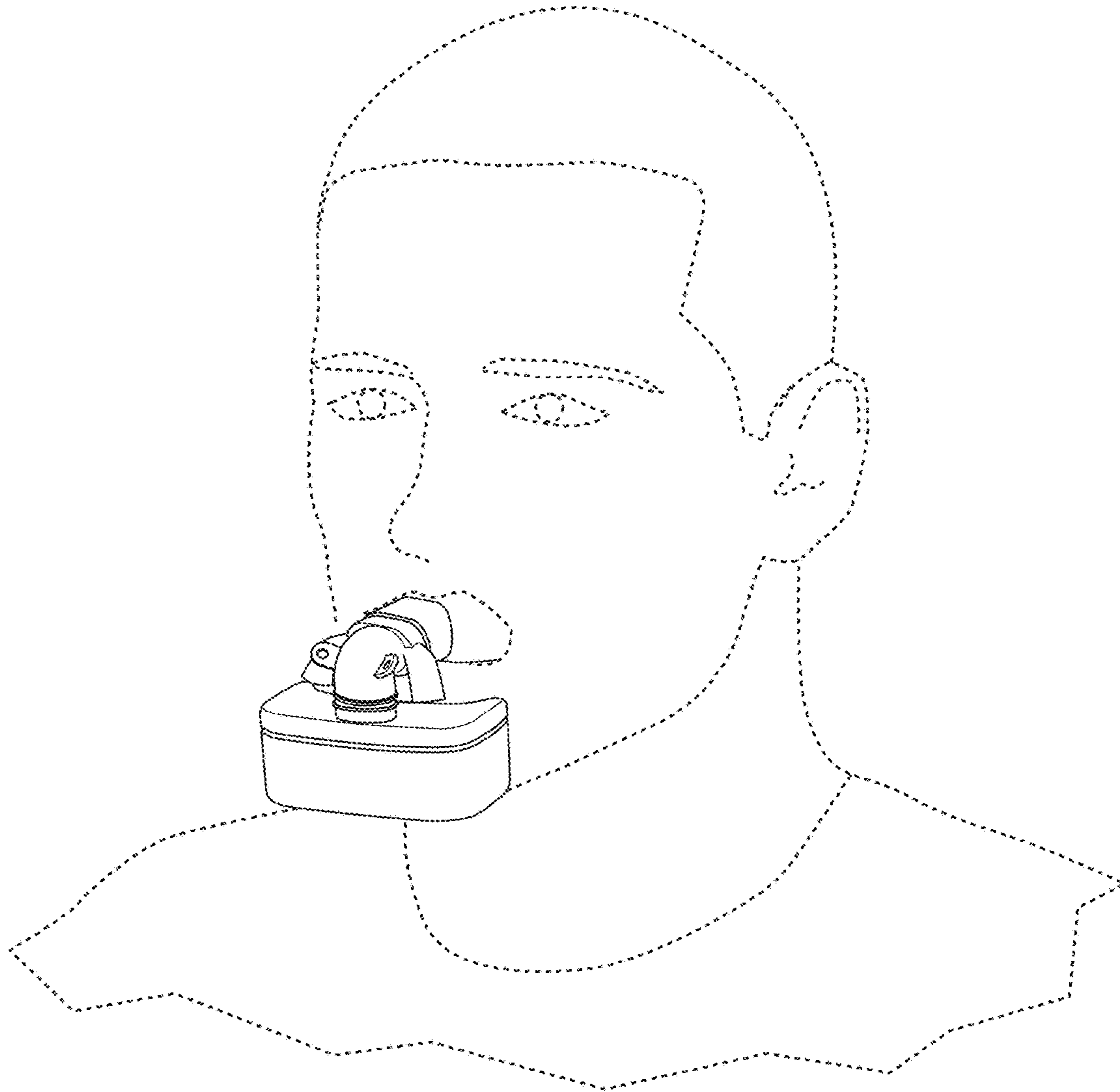


FIG. 9

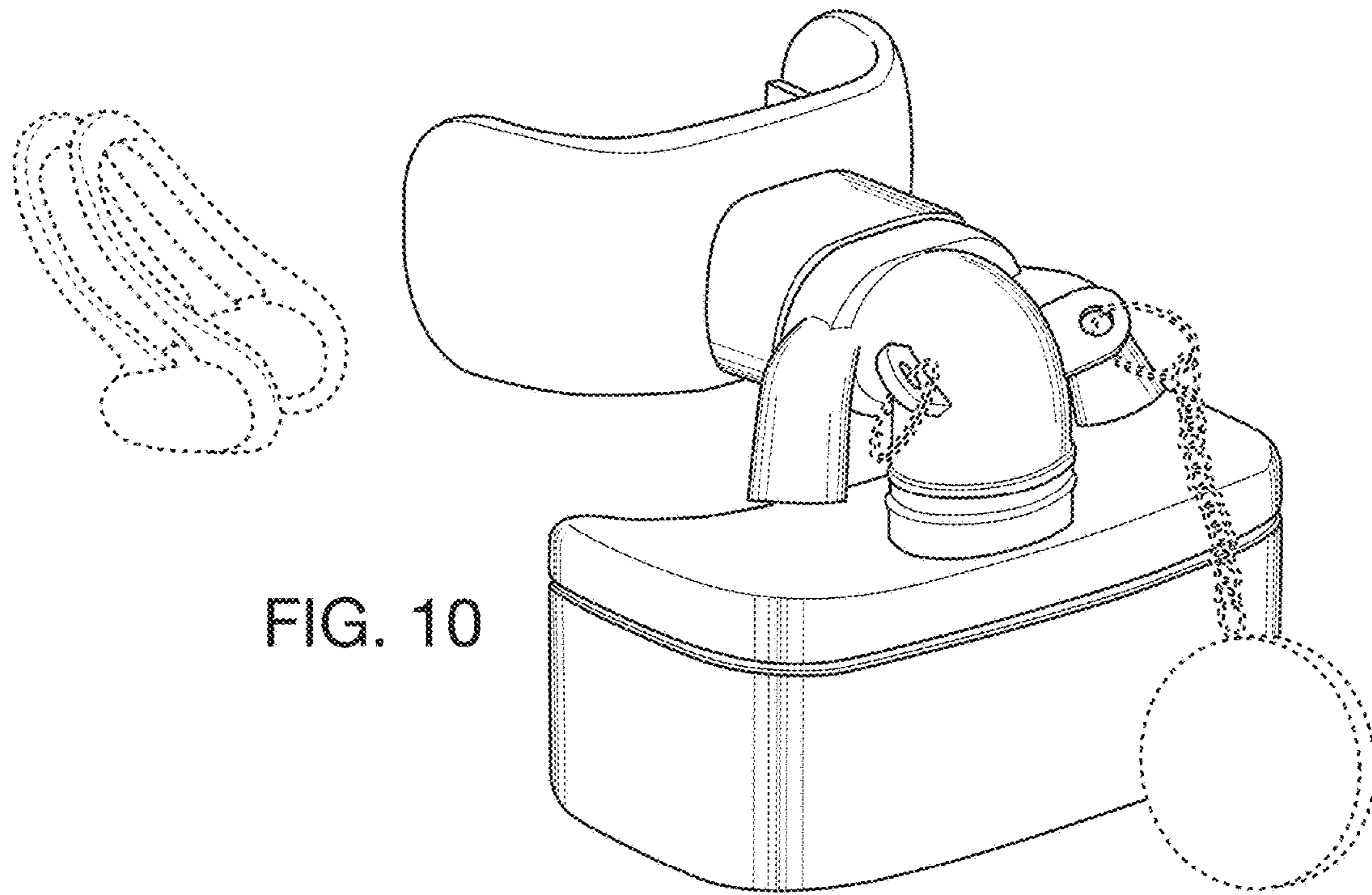


FIG. 10