



US00D858747S

(12) **United States Design Patent** (10) **Patent No.:** **US D858,747 S**
Ramdohr et al. (45) **Date of Patent:** **** Sep. 3, 2019**

(54) **TRACHEAL TUBE**
(71) Applicant: **Primed Halberstadt Medizintechnik GmbH**, Halberstadt (DE)
(72) Inventors: **Bastian Ramdohr**, Halberstadt (DE); **Sascha Leibitzki**, Blankenburg (DE)
(73) Assignee: **PRIMED HALBERSTADT MEDIZINTECHNIK GMBH**, Halberstadt (DE)
(**) Term: **15 Years**
(21) Appl. No.: **29/655,558**
(22) Filed: **Jul. 5, 2018**
(51) **LOC (12) Cl.** **29-02**
(52) **U.S. Cl.**
USPC **D24/110; D24/110.5**
(58) **Field of Classification Search**
USPC D24/110, 110.5, 112, 127, 128
CPC A61M 16/0434; A61M 16/04; A61M 16/0488; A61M 16/0465; A61M 16/049; A61M 16/0497
See application file for complete search history.

2010/0108075 A1* 5/2010 Singvogel A61M 16/04 128/207.14
2012/0204882 A1* 8/2012 Hayman A61M 16/0465 128/207.14
2012/0247477 A1* 10/2012 Stephenson A61M 16/04 128/207.14
2013/0081634 A1* 4/2013 Kieman A61M 16/04 128/207.14
2014/0352691 A1* 12/2014 Shikani A61M 16/0468 128/201.13
2014/0360495 A1* 12/2014 Traeger A61M 16/0465 128/200.26
2018/0133423 A1* 5/2018 Bateman A61M 16/0465
2018/0133425 A1* 5/2018 Bateman A61M 16/04

FOREIGN PATENT DOCUMENTS

EM 005432507-0001 * 7/2018
EM 006277174-0001 * 3/2019

OTHER PUBLICATIONS

U.S. Appl. No. 15/849,061, filed Dec. 20, 2017, Apr. 19, 2019.

* cited by examiner

Primary Examiner — Karen E Kearney

Assistant Examiner — Lilyana Bekic

(74) *Attorney, Agent, or Firm* — Cohen & Hildebrand, PLLC

(56) **References Cited**

U.S. PATENT DOCUMENTS

3,225,767 A * 12/1965 Smith A61M 16/0465 128/200.26
3,606,669 A * 9/1971 Kemble A61M 16/0465 128/200.26
4,817,598 A * 4/1989 Labombard A61M 16/0465 128/207.14
D695,889 S * 12/2013 Bruggeman D24/110.5
D753,817 S * 4/2016 Maguire D24/110.5
D753,818 S * 4/2016 Maguire D24/110.5
2002/0078962 A1* 6/2002 Nash A61M 16/0465 128/207.15
2010/0089403 A1* 4/2010 Solly A61M 16/047 128/207.14

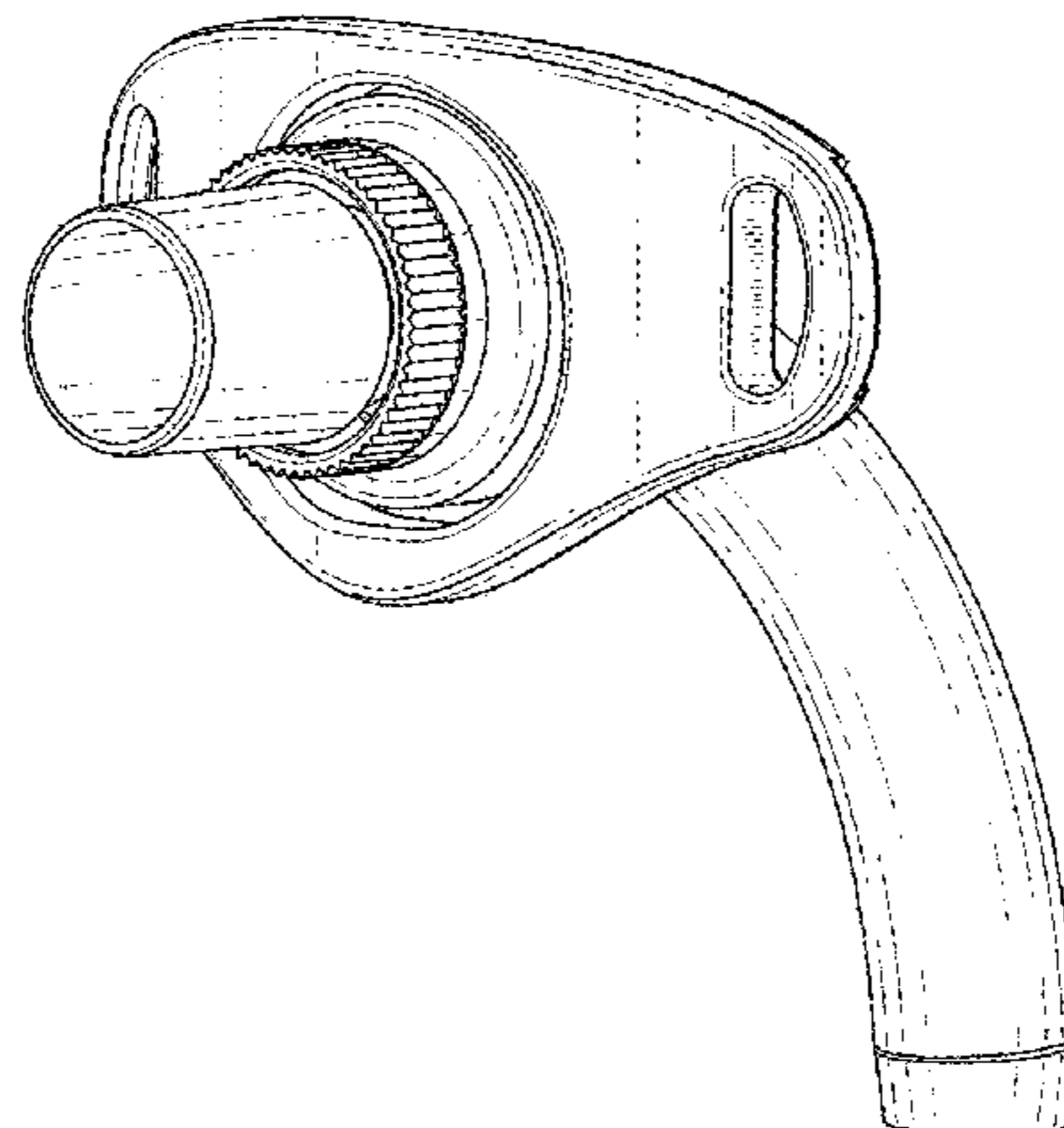
(57) **CLAIM**

The ornamental design for a tracheal tube, as shown and described.

DESCRIPTION

FIG. 1 is a front perspective view of the tracheal tube; FIG. 2 is a bottom perspective view of the tracheal tube; FIG. 3 is a back perspective view of the tracheal tube; FIG. 4 is a front view of the tracheal tube; FIG. 5 is a side view of the tracheal tube; and, FIG. 6 is a top view of the tracheal tube.

1 Claim, 6 Drawing Sheets



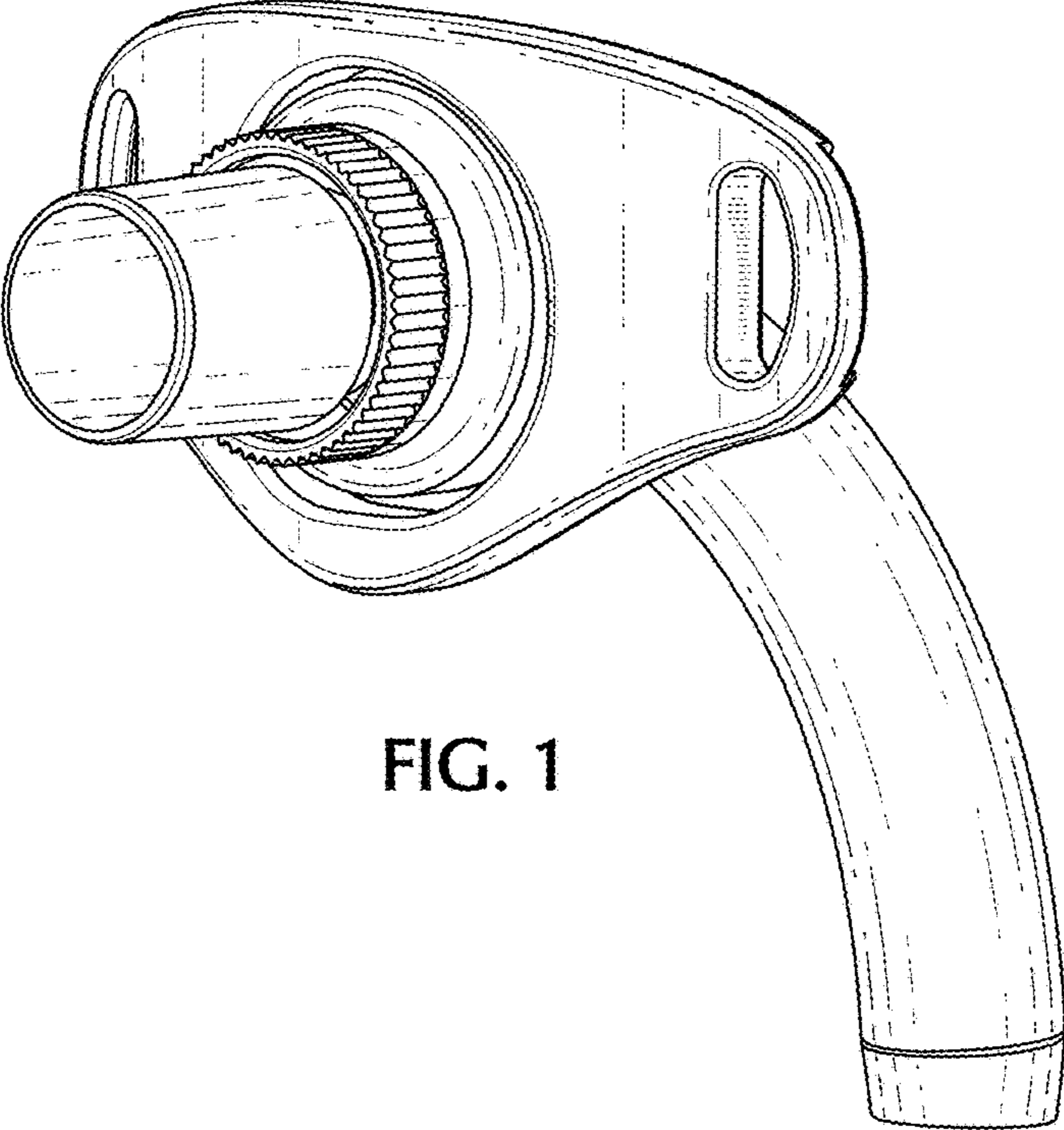


FIG. 1

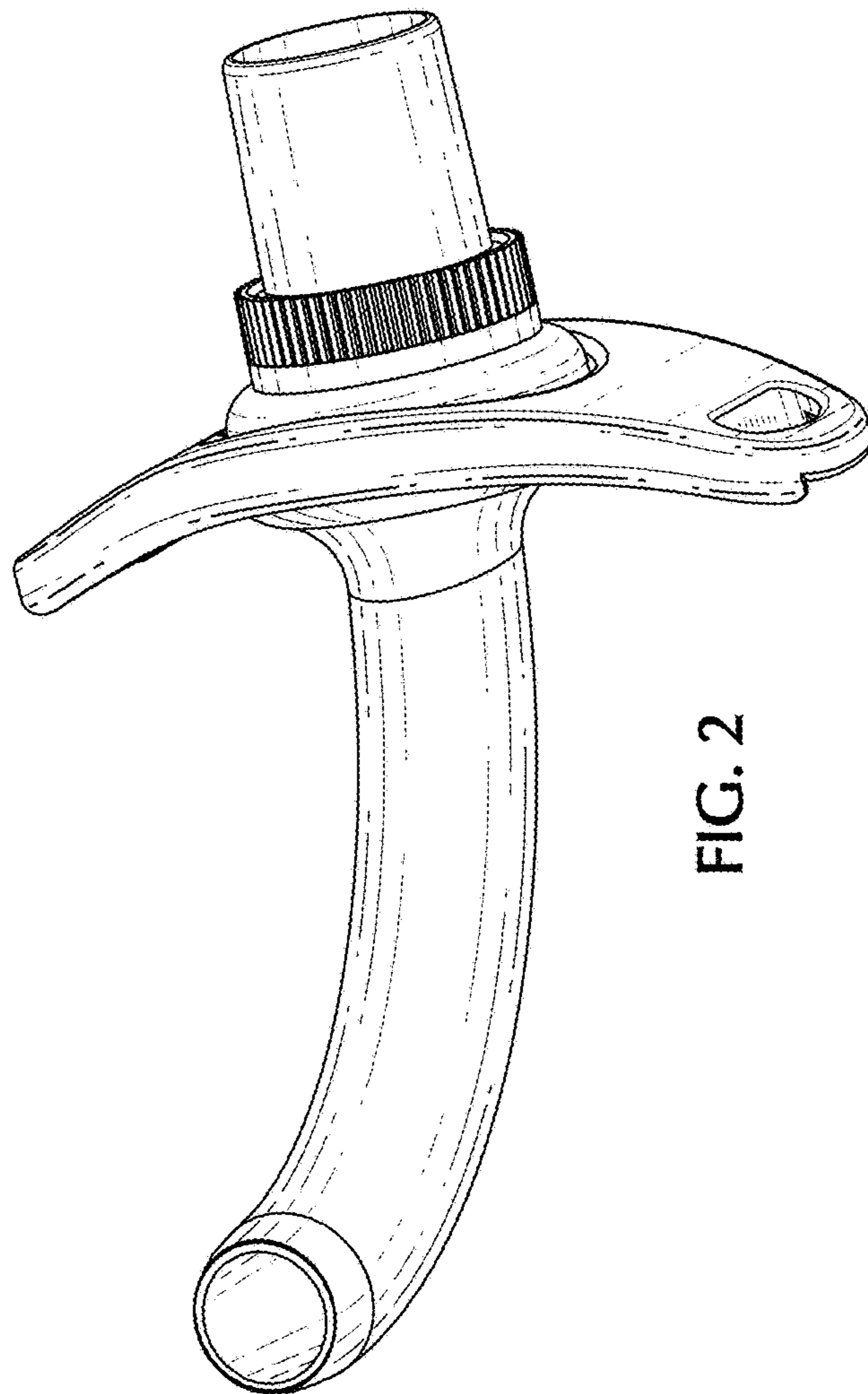


FIG. 2

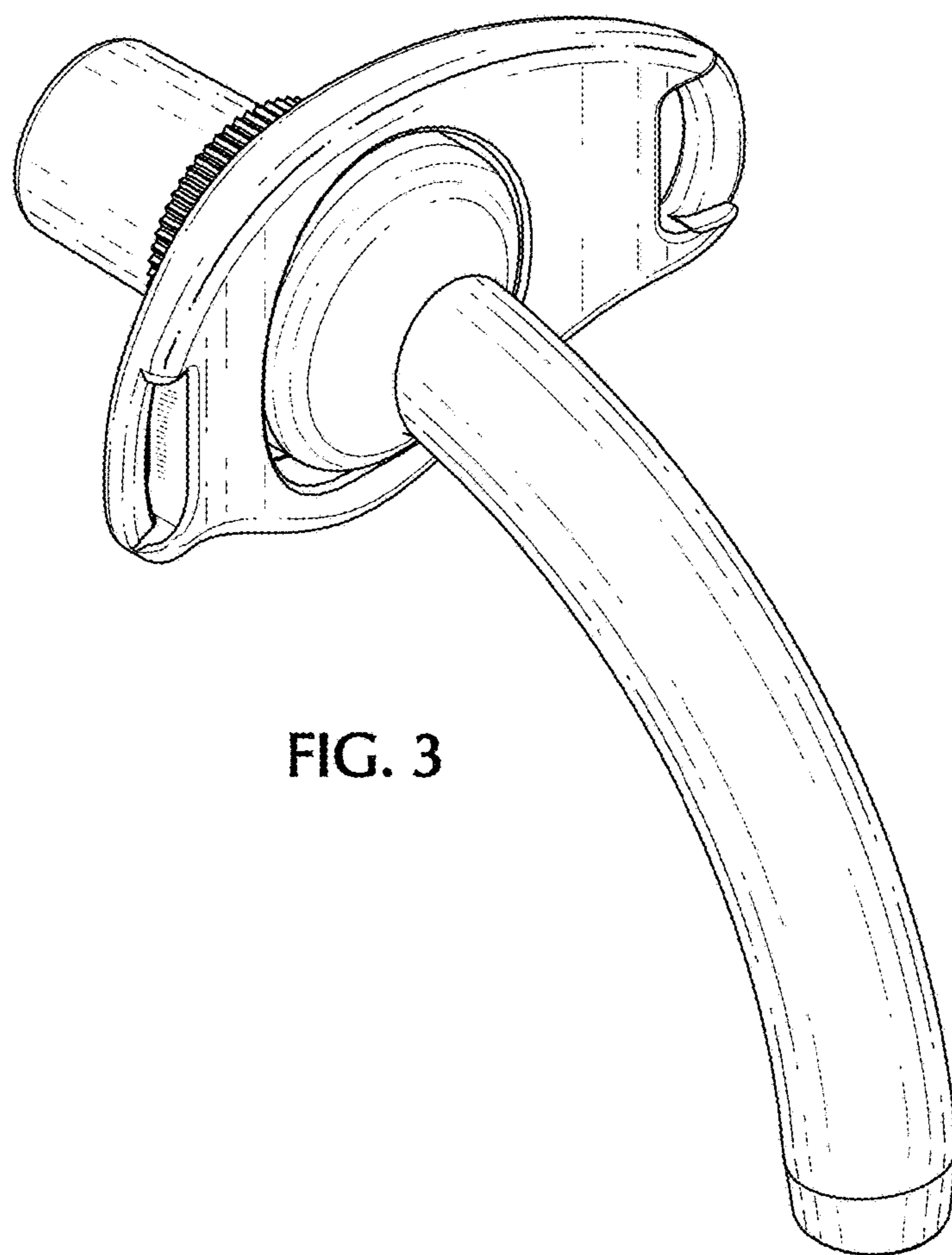


FIG. 3

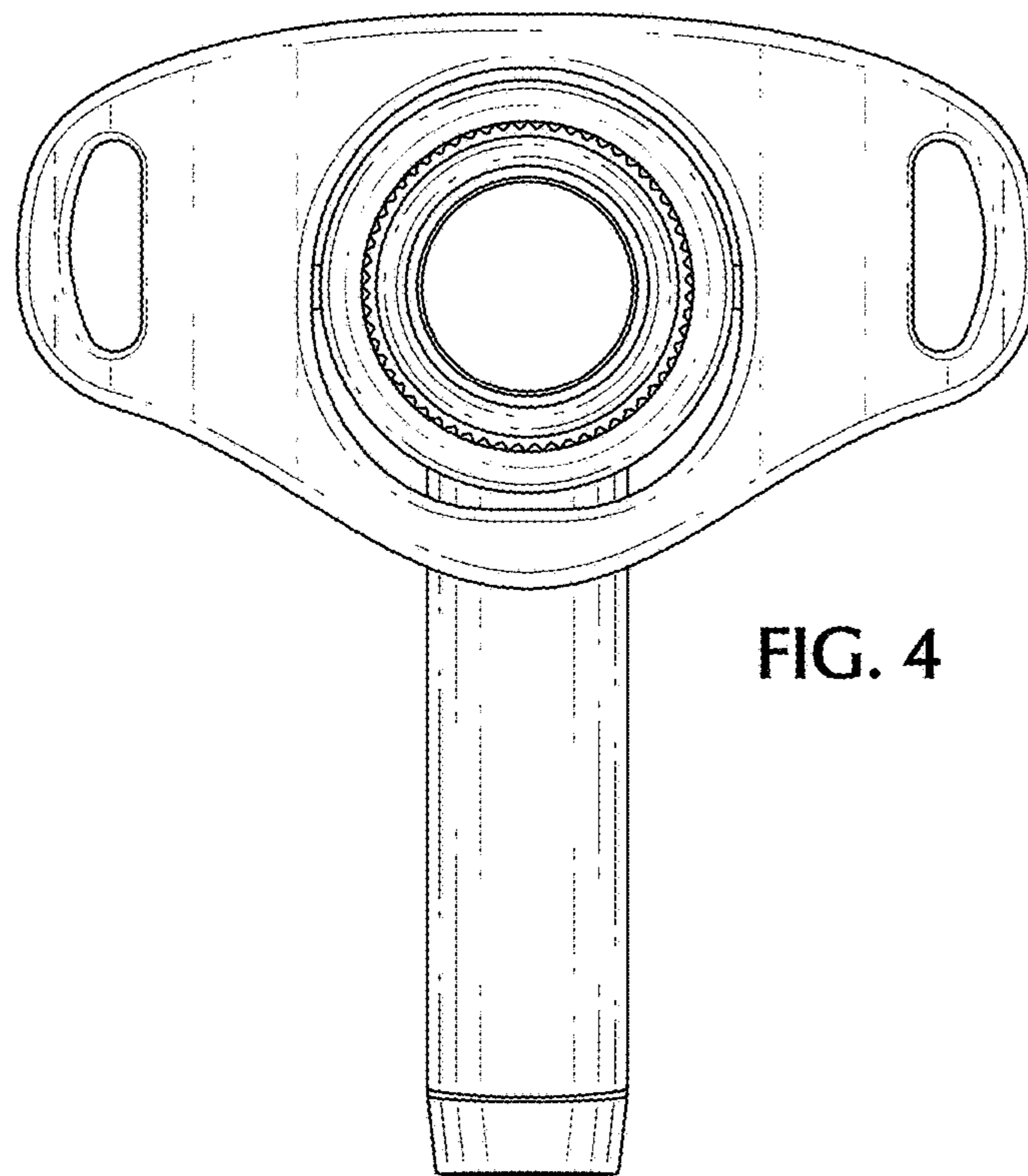


FIG. 4

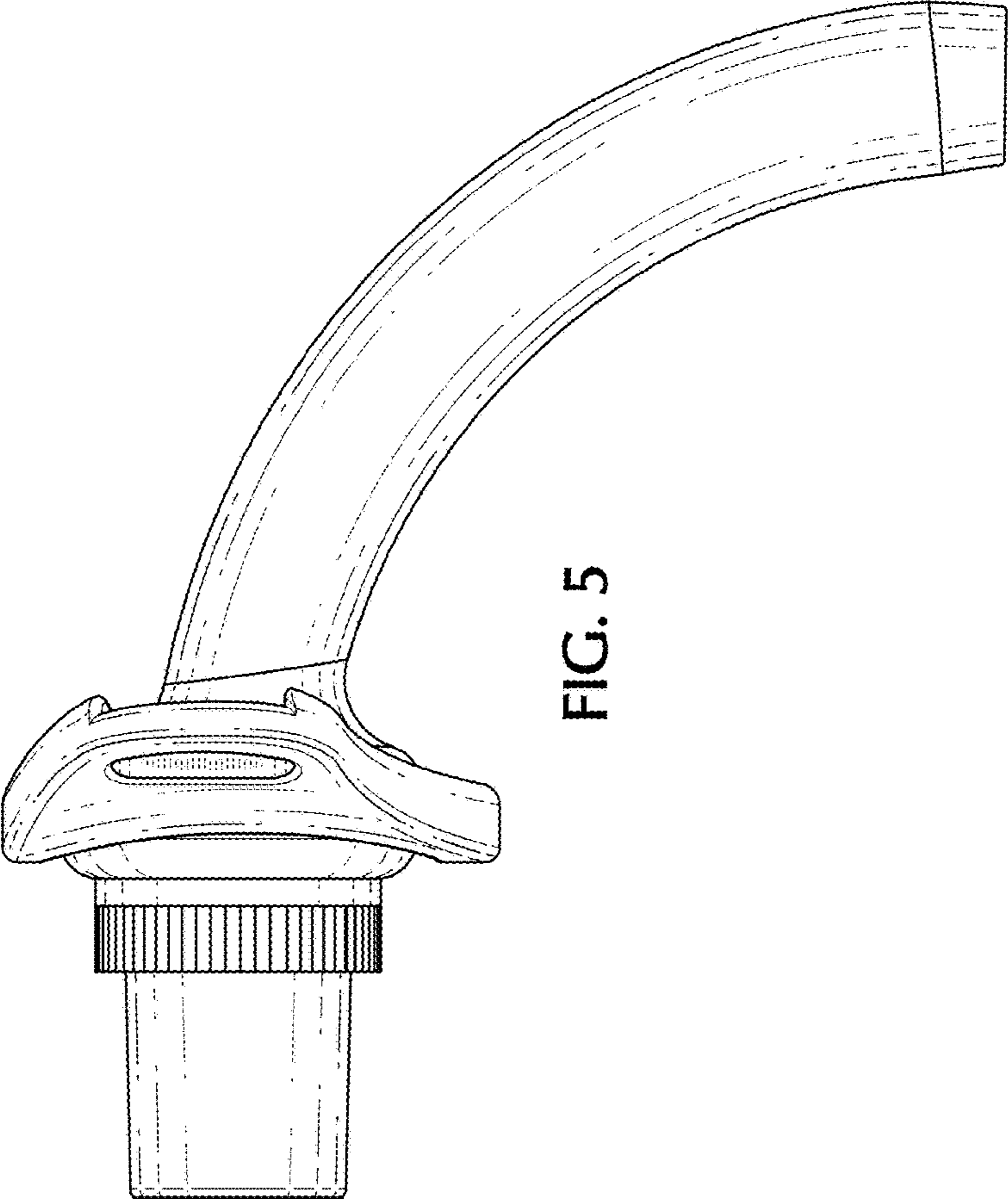


FIG. 5

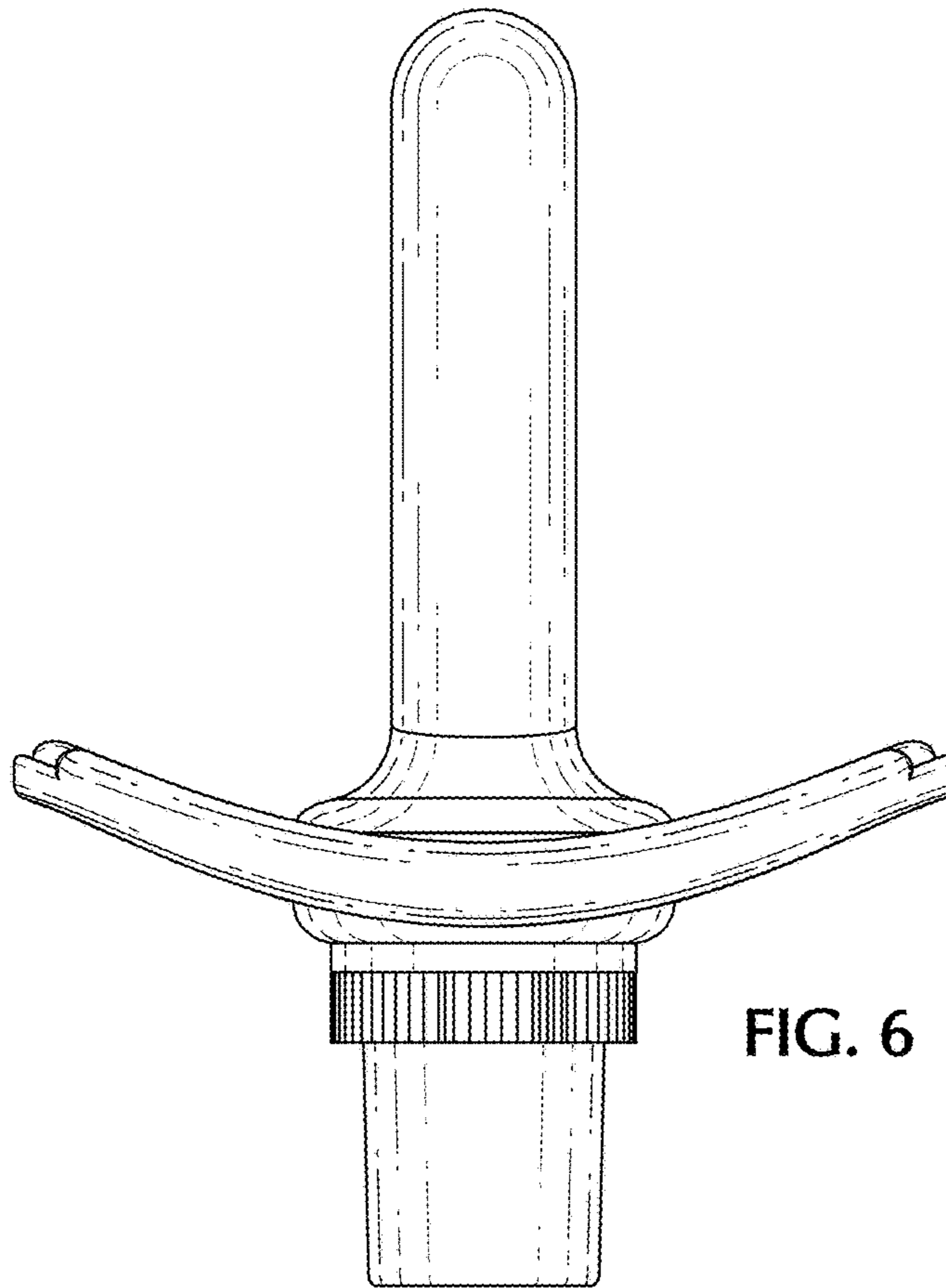


FIG. 6