



US00D858746S

(12) **United States Design Patent** (10) **Patent No.:** **US D858,746 S**
Lee et al. (45) **Date of Patent:** **** Sep. 3, 2019**

(54) **RIGIDIZER FOR PATIENT INTERFACE**

- (71) Applicant: **ResMed Pty Ltd**, Bella Vista, New South Wales (AU)
- (72) Inventors: **Murray William Lee**, Sydney (AU); **Chia Ik Tan**, Sydney (AU); **Stewart Joseph Wagner**, Hawkesbury (AU); **Alicia Kristianne Wells**, Sydney (AU)
- (73) Assignee: **ResMed Pty Ltd**, Bella Vista (AU)
- (**) Term: **15 Years**
- (21) Appl. No.: **29/629,385**
- (22) Filed: **Dec. 13, 2017**

Related U.S. Application Data

- (60) Continuation of application No. 29/596,760, filed on Mar. 10, 2017, now Pat. No. Des. 808,516, which is (Continued)
- (51) **LOC (12) Cl.** **29-02**
- (52) **U.S. Cl.**
USPC **D24/110**
- (58) **Field of Classification Search**
USPC D24/110, 110.1-110.5, 127-129; D29/108, 122; 2/4, 171, 181, 255; (Continued)

(56) **References Cited**

U.S. PATENT DOCUMENTS

- 4,782,832 A 11/1988 Trimble et al.
- 5,724,965 A 3/1998 Handke et al.

(Continued)

FOREIGN PATENT DOCUMENTS

- EP 1356841 10/2003
- EP 2022528 2/2009

(Continued)

OTHER PUBLICATIONS

Wells et al., U.S. Appl. No. 29/461,681, filed Jul. 26, 2013.

(Continued)

Primary Examiner — Wan Laymon

Assistant Examiner — Mark Booker

(74) *Attorney, Agent, or Firm* — Nixon & Vanderhye P.C.

(57) **CLAIM**

The ornamental design for a rigidizer for patient interface, as shown and described.

DESCRIPTION

FIG. 1 is a front perspective view of a rigidizer for patient interface showing a first embodiment according to our new ornamental design;

FIG. 2 is a front view thereof;

FIG. 3 is a rear view thereof;

FIG. 4 is a top view thereof;

FIG. 5 is a bottom view thereof;

FIG. 6 is a right side view thereof;

FIG. 7 is a left side view thereof;

FIG. 8 is another perspective view thereof;

FIG. 9 is still another perspective view thereof;

FIG. 10 is a front perspective view of a rigidizer for patient interface showing a second embodiment according to our new ornamental design;

FIG. 11 is an enlarged front view thereof in isolation;

FIG. 12 is a front view thereof;

FIG. 13 is a rear view thereof;

FIG. 14 is a top view thereof;

FIG. 15 is a bottom view thereof;

FIG. 16 is a right side view thereof;

FIG. 17 is a front perspective view of a rigidizer for patient interface showing a third embodiment according to our new ornamental design;

FIG. 18 is a front view thereof;

FIG. 19 is a rear view thereof;

FIG. 20 is a top view thereof;

FIG. 21 is a bottom view thereof;

FIG. 22 is a right side view thereof;

FIG. 23 is a left side view thereof;

(Continued)

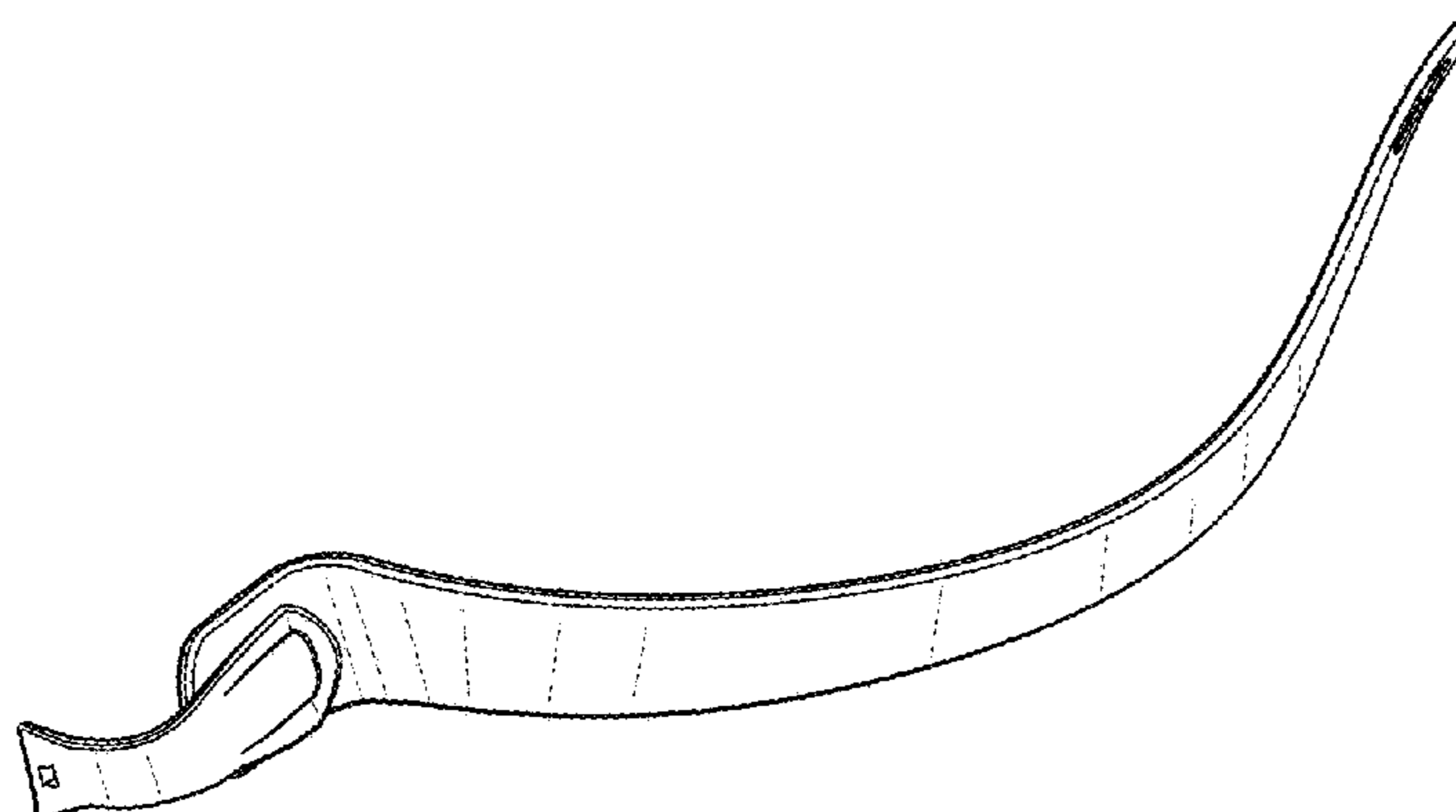


FIG. 24 is another perspective view thereof;
 FIG. 25 is still another perspective view thereof;
 FIG. 26 is a front perspective view of a rigidizer for patient interface showing a fourth embodiment according to our new ornamental design;
 FIG. 27 is an enlarged front view thereof in isolation;
 FIG. 28 is a front view thereof;
 FIG. 29 is a rear view thereof;
 FIG. 30 is a top view thereof;
 FIG. 31 is a bottom view thereof; and,
 FIG. 32 is a right side view thereof.
 The broken lines represent environment or structure and do not form a portion of the claimed design.
 The use of different types of shading, e.g., stipple-type shading, line shading, etc., is intended to indicate different materials.

1 Claim, 16 Drawing Sheets

Related U.S. Application Data

a continuation of application No. 29/540,038, filed on Sep. 21, 2015, now Pat. No. Des. 787,661, which is a division of application No. 29/469,231, filed on Oct. 8, 2013, now Pat. No. Des. 743,535, which is a continuation-in-part of application No. 29/461,681, filed on Jul. 26, 2013, now abandoned.

(58) **Field of Classification Search**

USPC 128/202.27, 204.21, 205.25, 205.27, 128/206.11–206.13, 206.18, 206.21, 128/206.24, 206.27, 206.28, 207.11, 128/207.12, 207.13, 207.17, 207.18
 CPC A61M 16/0622; A61M 16/0616; A61M 16/0633; A61M 16/06; A61M 16/0683; A61M 16/0605; A61M 16/0644

See application file for complete search history.

(56) **References Cited**

U.S. PATENT DOCUMENTS

6,581,594	B1	6/2003	Drew et al.
6,805,117	B1	10/2004	Ho et al.
6,823,869	B2	11/2004	Raje et al.
6,854,465	B2	2/2005	Bordewick et al.
7,318,437	B2	1/2008	Gunaratnam et al.
D589,139	S	3/2009	Guney
7,562,658	B2	7/2009	Madaus et al.
D612,933	S	3/2010	Prentice et al.
D614,288	S	4/2010	Judson et al.
7,743,767	B2	6/2010	Ging et al.
D626,646	S	11/2010	Lubke
7,942,148	B2	5/2011	Davidson et al.
D656,231	S	3/2012	Henry et al.
D661,796	S	6/2012	Andrews et al.
D664,250	S	7/2012	Scheiner et al.
D669,576	S	10/2012	Smart et al.
8,371,302	B2	2/2013	Ging et al.
D677,789	S	3/2013	Row et al.
D681,805	S	5/2013	Chu
D687,539	S	8/2013	Matula, Jr.

D691,257	S	10/2013	Siew
8,550,084	B2	10/2013	Ng et al.
D703,312	S *	4/2014	Lubke D24/110.1
8,757,162	B2	6/2014	Veliss et al.
D708,736	S	7/2014	Judson et al.
8,770,198	B2	7/2014	Yee et al.
8,839,791	B2	9/2014	Allum et al.
8,844,533	B2	9/2014	Allum et al.
D729,381	S	5/2015	Himes
D737,953	S	9/2015	Wells
D743,535	S	11/2015	Wells et al.
D746,436	S	12/2015	Guney
D747,460	S	1/2016	Hogea
D753,819	S	4/2016	Rummery
D757,250	S	5/2016	Veliss
D769,441	S	10/2016	Angert
D771,241	S	11/2016	Skipper
D787,661	S	5/2017	Edwards et al.
D820,432	S *	6/2018	Scheiner D24/110
D834,179	S *	11/2018	Smith D24/110.1
2006/0107958	A1	5/2006	Sleeper
2008/0185007	A1	8/2008	Sleeper et al.
2009/0044808	A1	2/2009	Guney et al.
2009/0044810	A1	2/2009	Kwok et al.
2009/0050156	A1	2/2009	Ng et al.
2009/0078259	A1	3/2009	Kooij et al.
2009/0107508	A1	4/2009	Brambilla et al.
2009/0151729	A1	6/2009	Judson et al.
2010/0000543	A1	1/2010	Berthon-Jones et al.
2010/0215351	A1	8/2010	Forrester
2010/0319700	A1	12/2010	Ng et al.
2011/0056497	A1	3/2011	Scheiner et al.
2011/0072553	A1	3/2011	Ho
2011/0265796	A1	11/2011	Amarasinghe et al.
2012/0012114	A1	1/2012	Chandran et al.
2012/0152254	A1	6/2012	Smith et al.
2012/0227738	A1	9/2012	Virr et al.
2012/0318270	A1	12/2012	McAuley et al.
2012/0325205	A1	12/2012	Allum et al.
2013/0074845	A1	3/2013	Smith et al.
2013/0233318	A1	9/2013	Graham et al.
2013/0239973	A1	9/2013	Scheiner et al.
2013/0291870	A1	11/2013	Ging et al.
2014/0026890	A1	1/2014	Haskard et al.
2014/0102452	A1	4/2014	Forrester
2014/0202466	A1	7/2014	Ho et al.
2014/0326248	A1	11/2014	Haibach et al.

FOREIGN PATENT DOCUMENTS

NZ	553756	6/2007
NZ	553822	6/2007
NZ	553824	6/2007
NZ	553825	6/2007
NZ	562418	11/2007
NZ	562419	11/2007
WO	WO 00/69521	11/2000
WO	WO 02/11804	2/2002
WO	WO 2005/010608	2/2008
WO	WO 2009/052560	4/2009
WO	WO 2011/121466	10/2011
WO	WO 2013/057647	4/2013

OTHER PUBLICATIONS

Edwards, U.S. Appl. No. 29/540,038, filed Sep. 21, 2015.
 Edwards, U.S. Appl. No. 29/596,760, filed Mar. 10, 2017 (parent application).

* cited by examiner

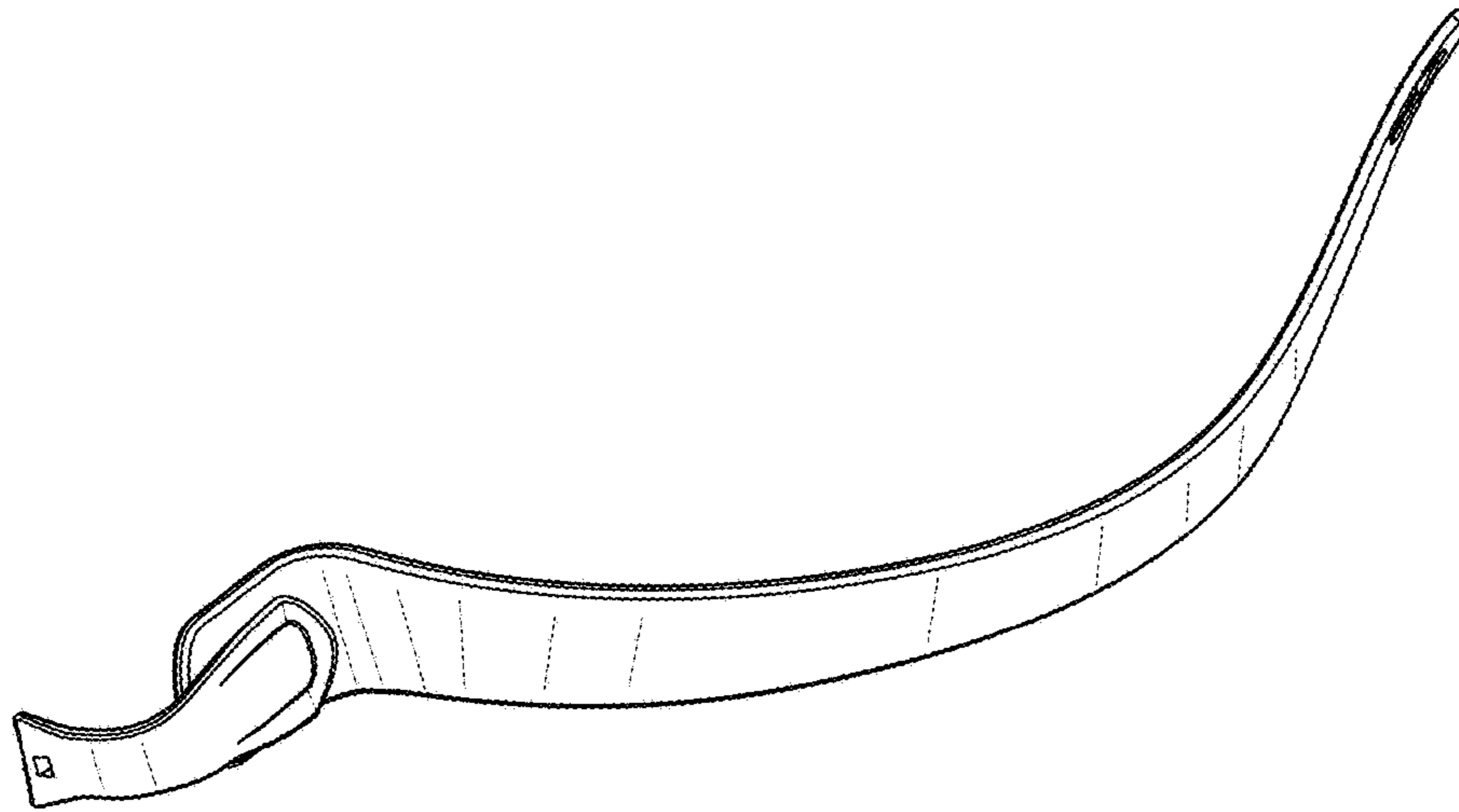


FIG. 1

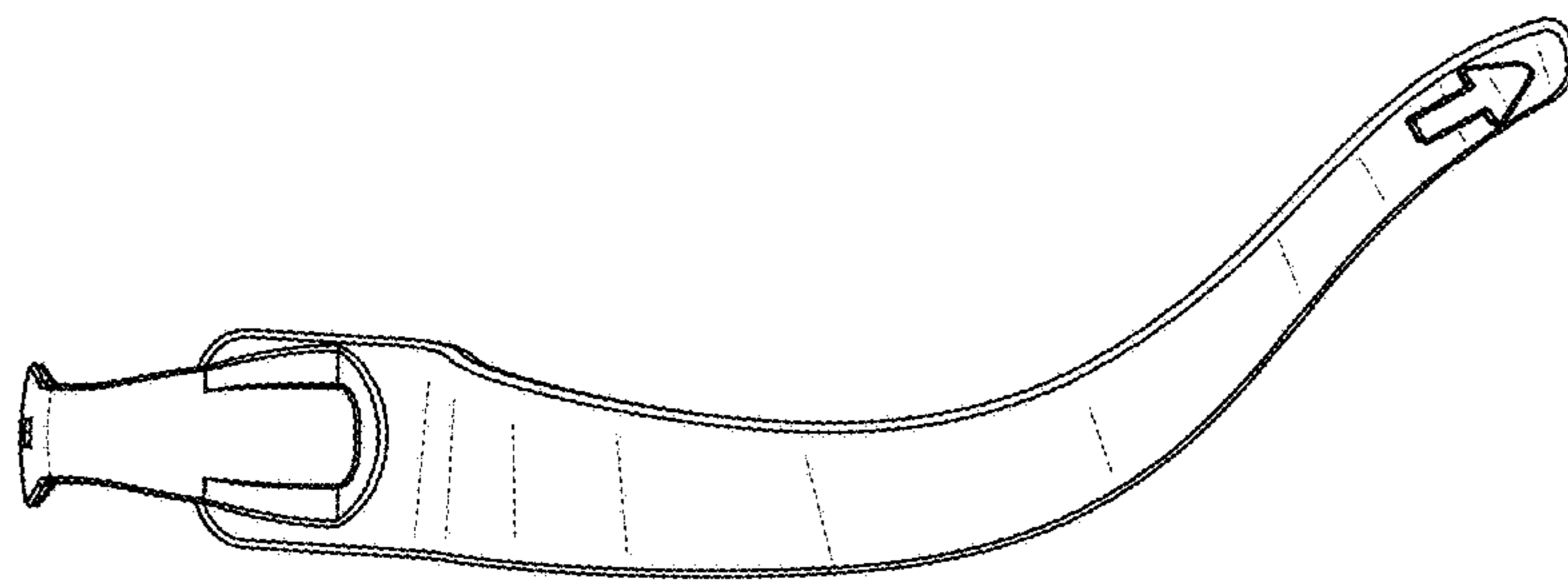


FIG. 2

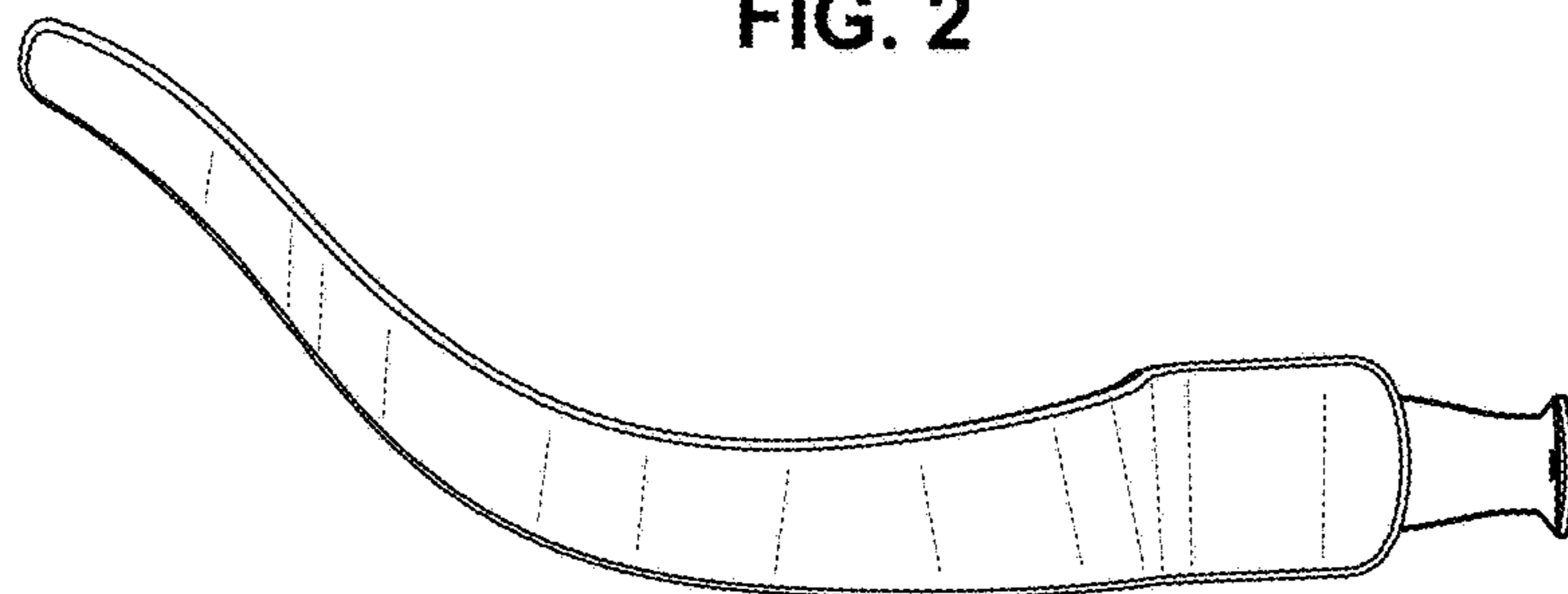


FIG. 3

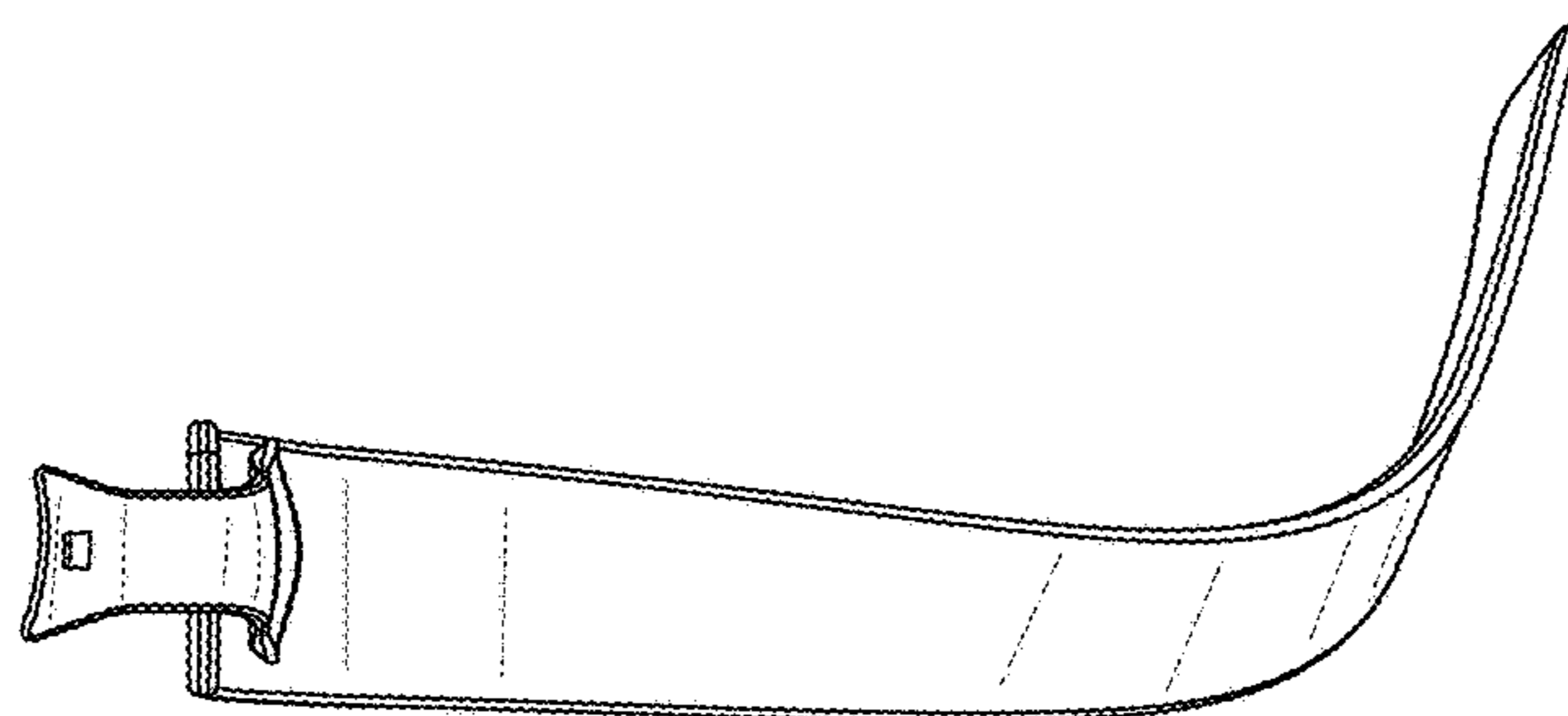


FIG. 4

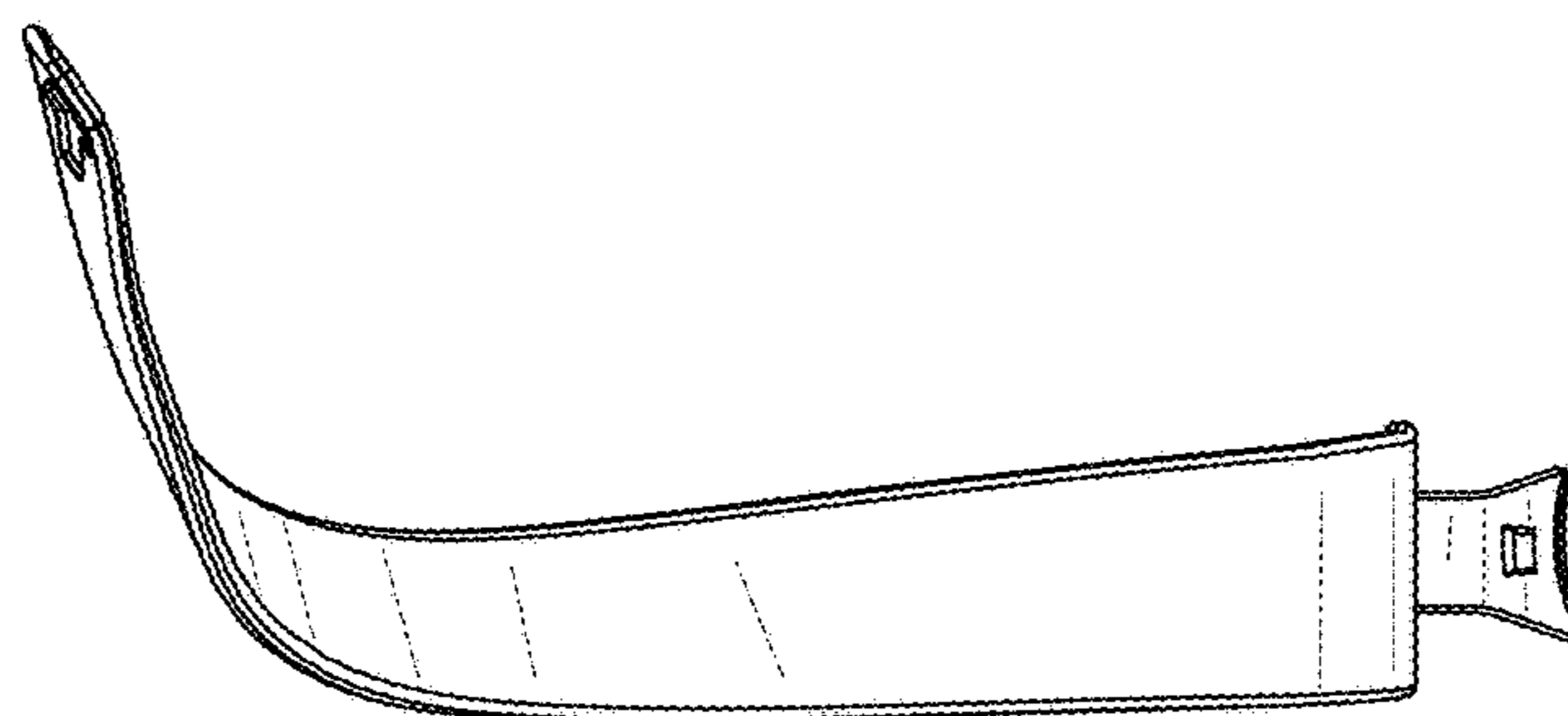


FIG. 5

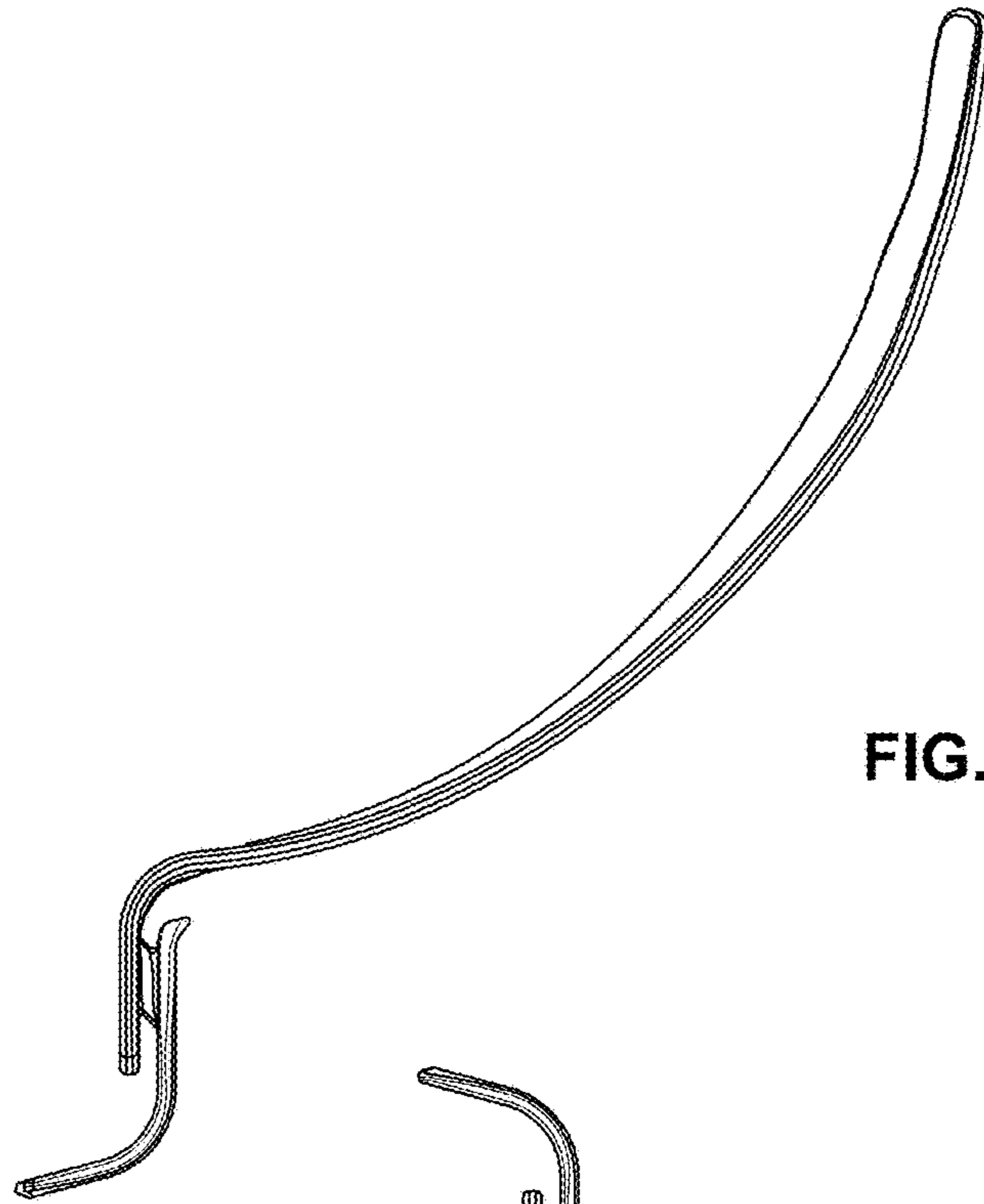


FIG. 6

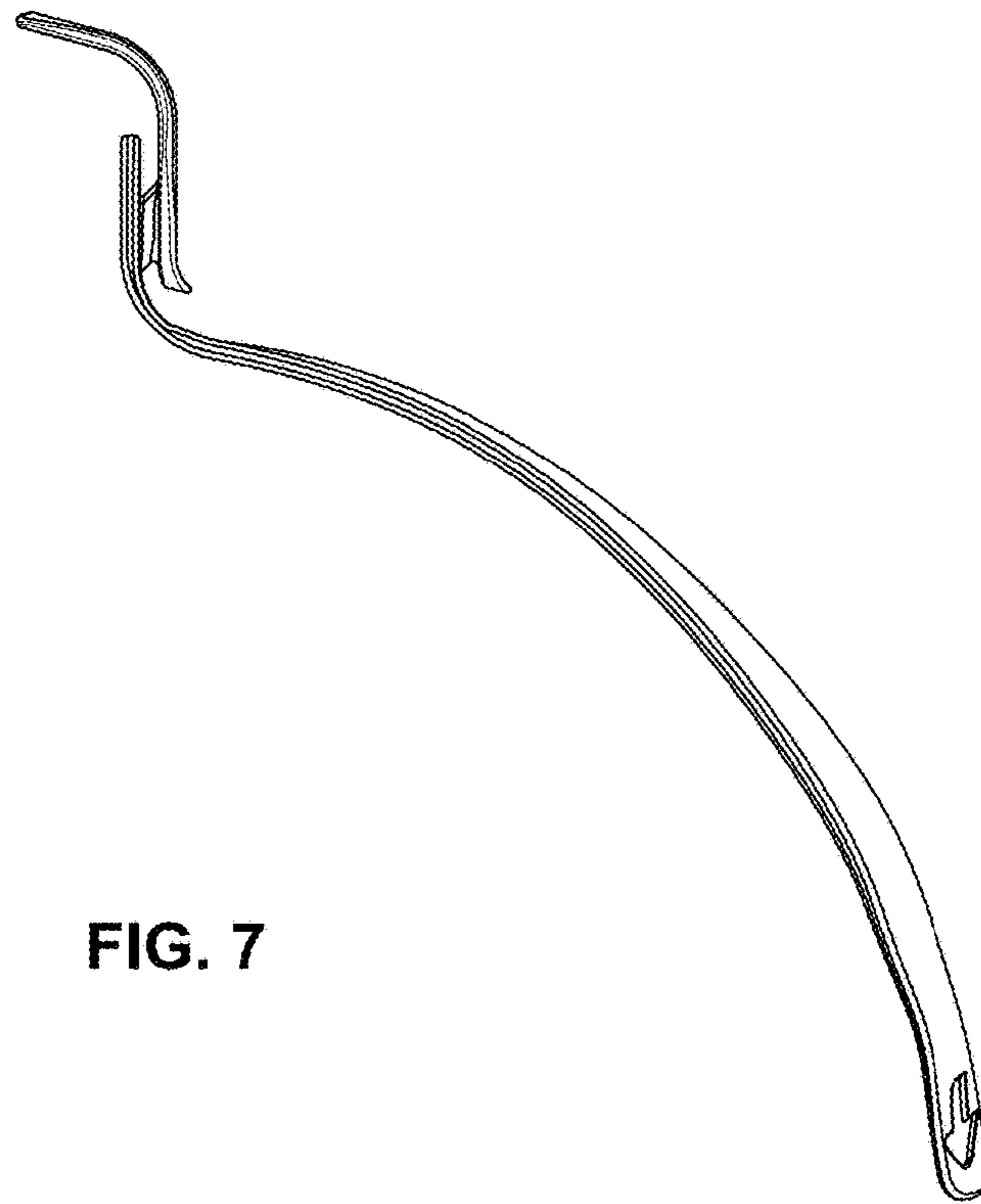


FIG. 7

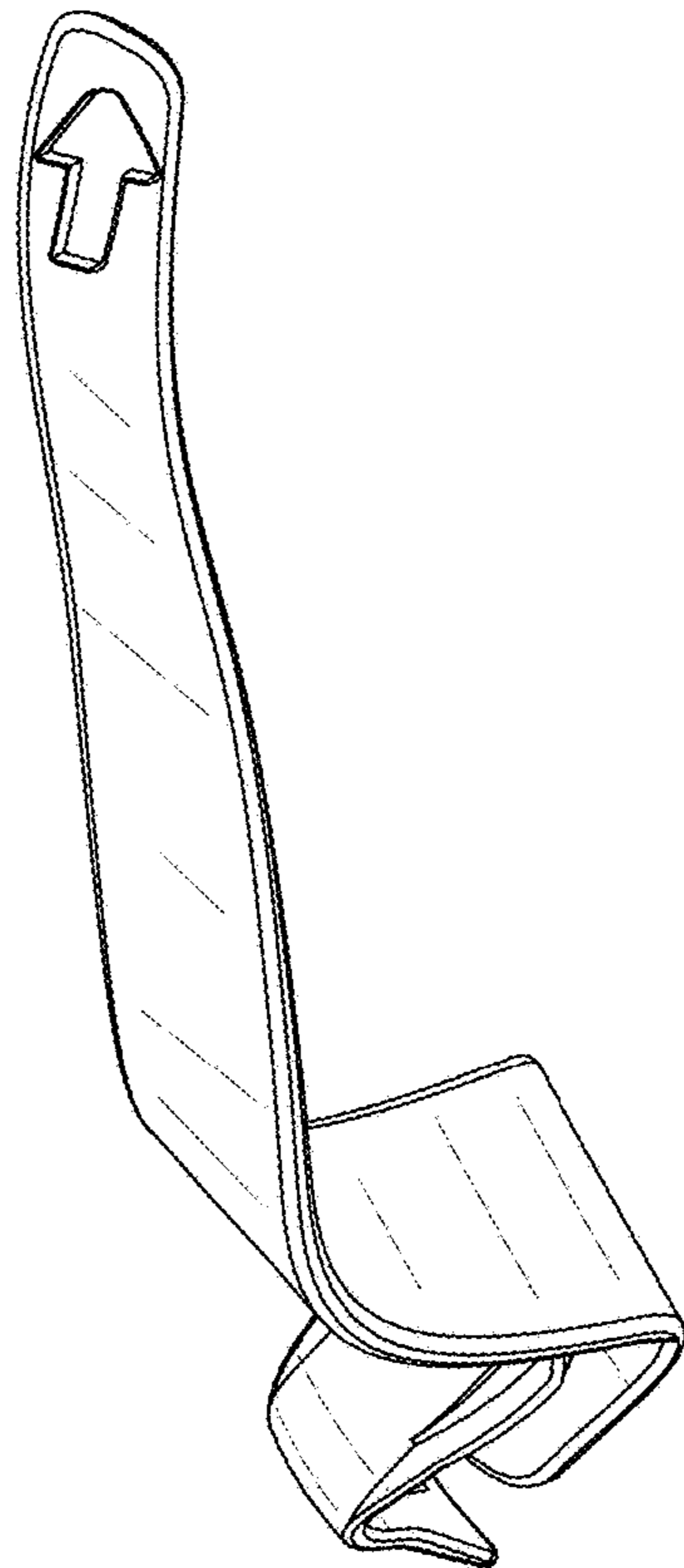


FIG. 8

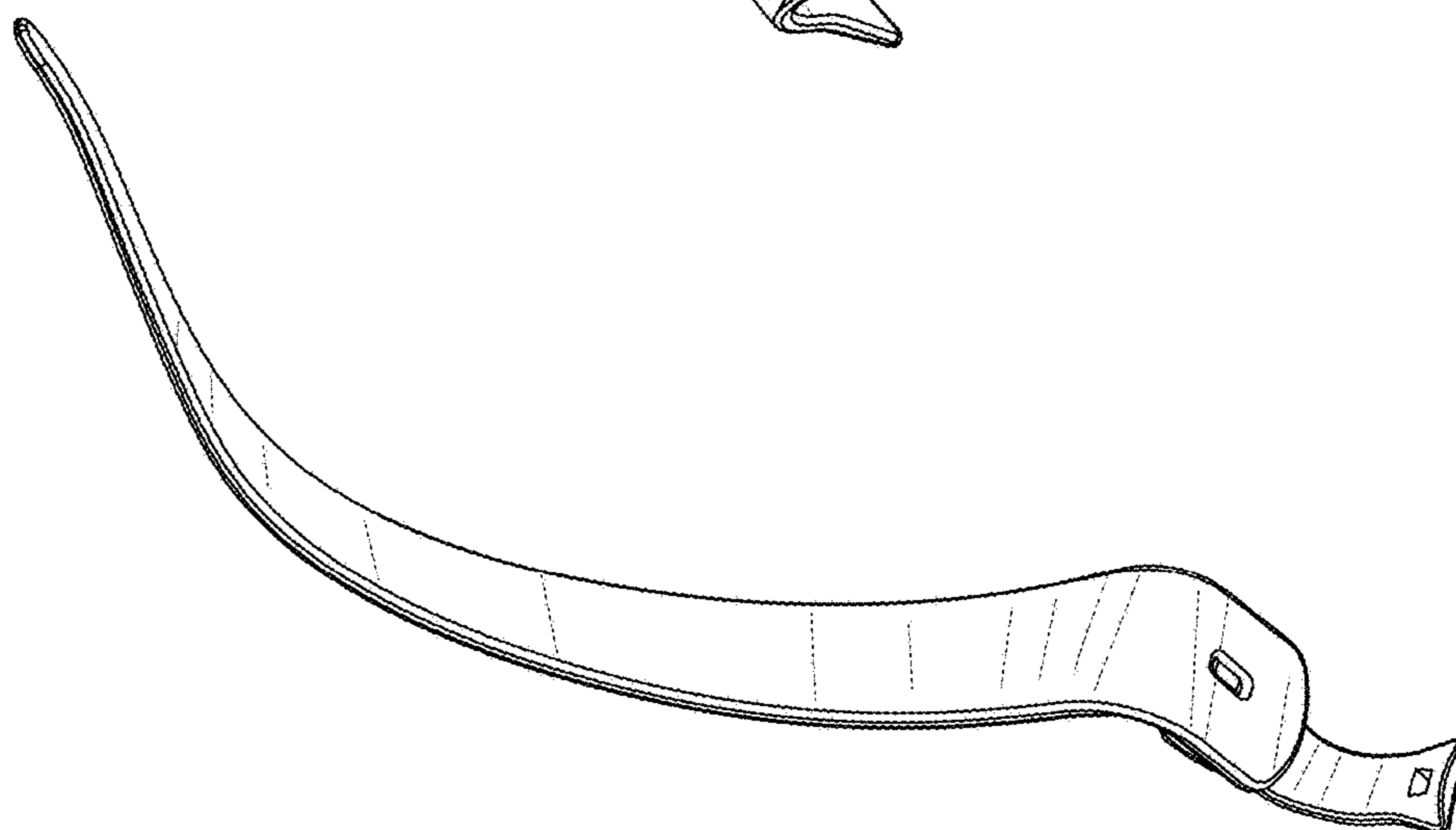


FIG. 9

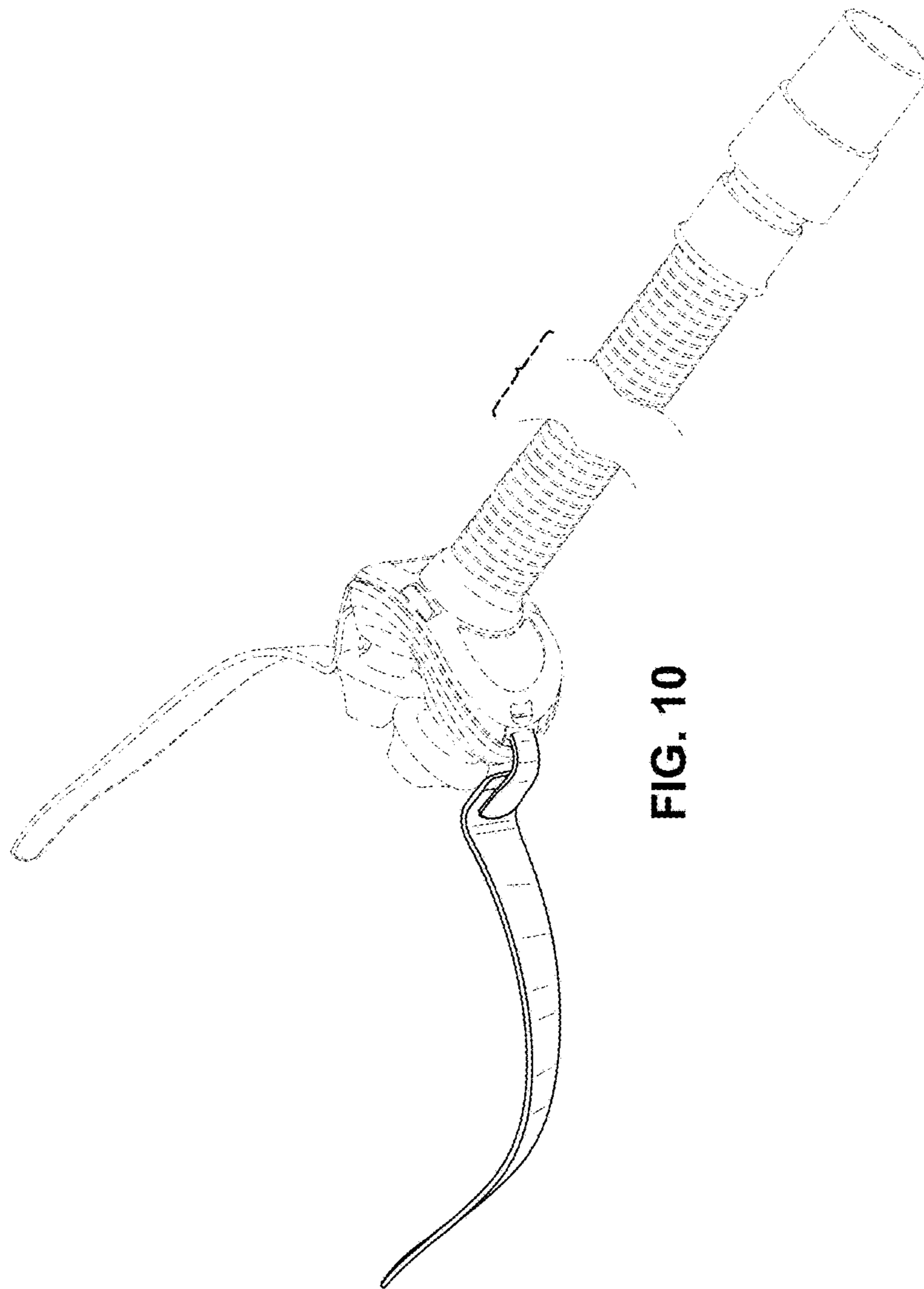


FIG. 10

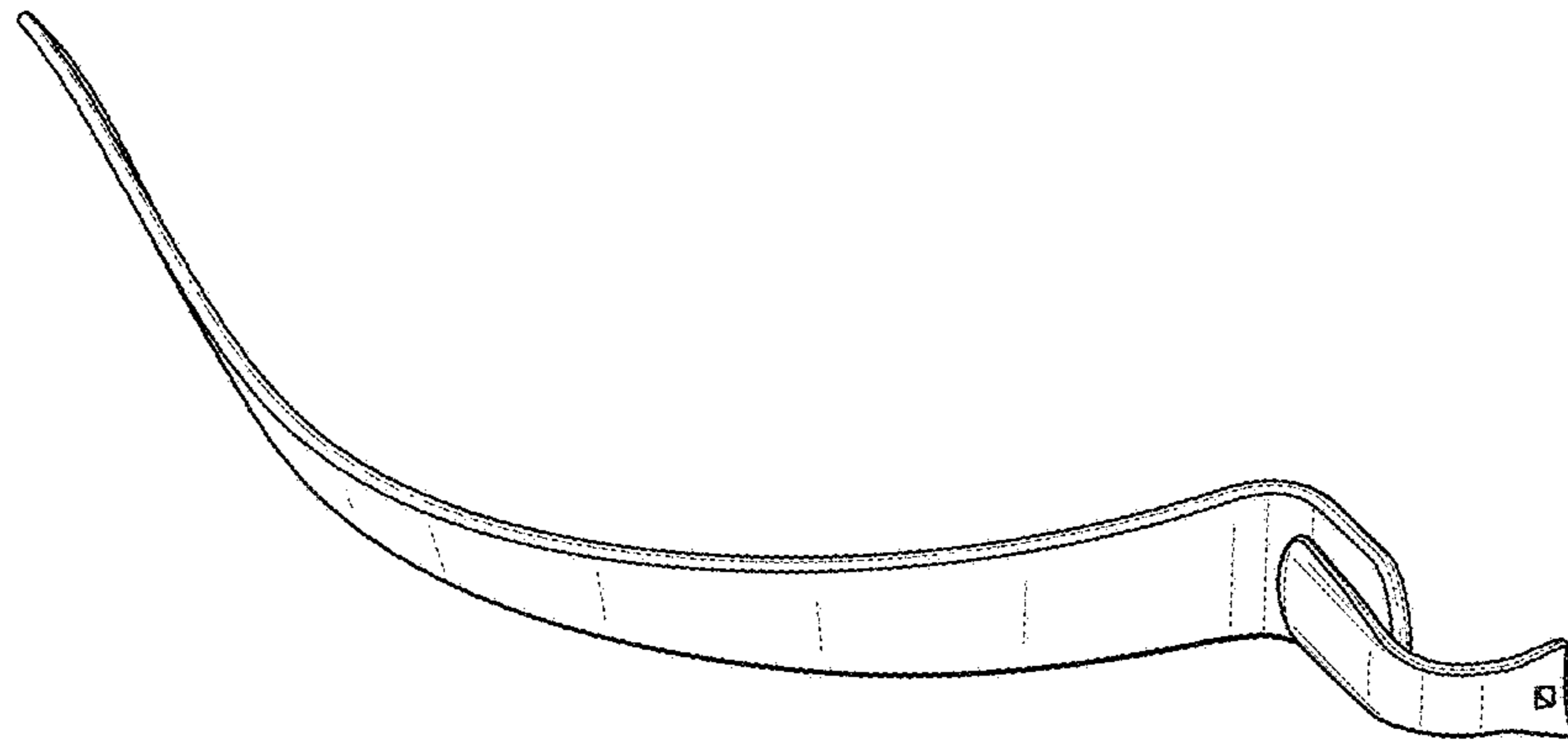


FIG. 11

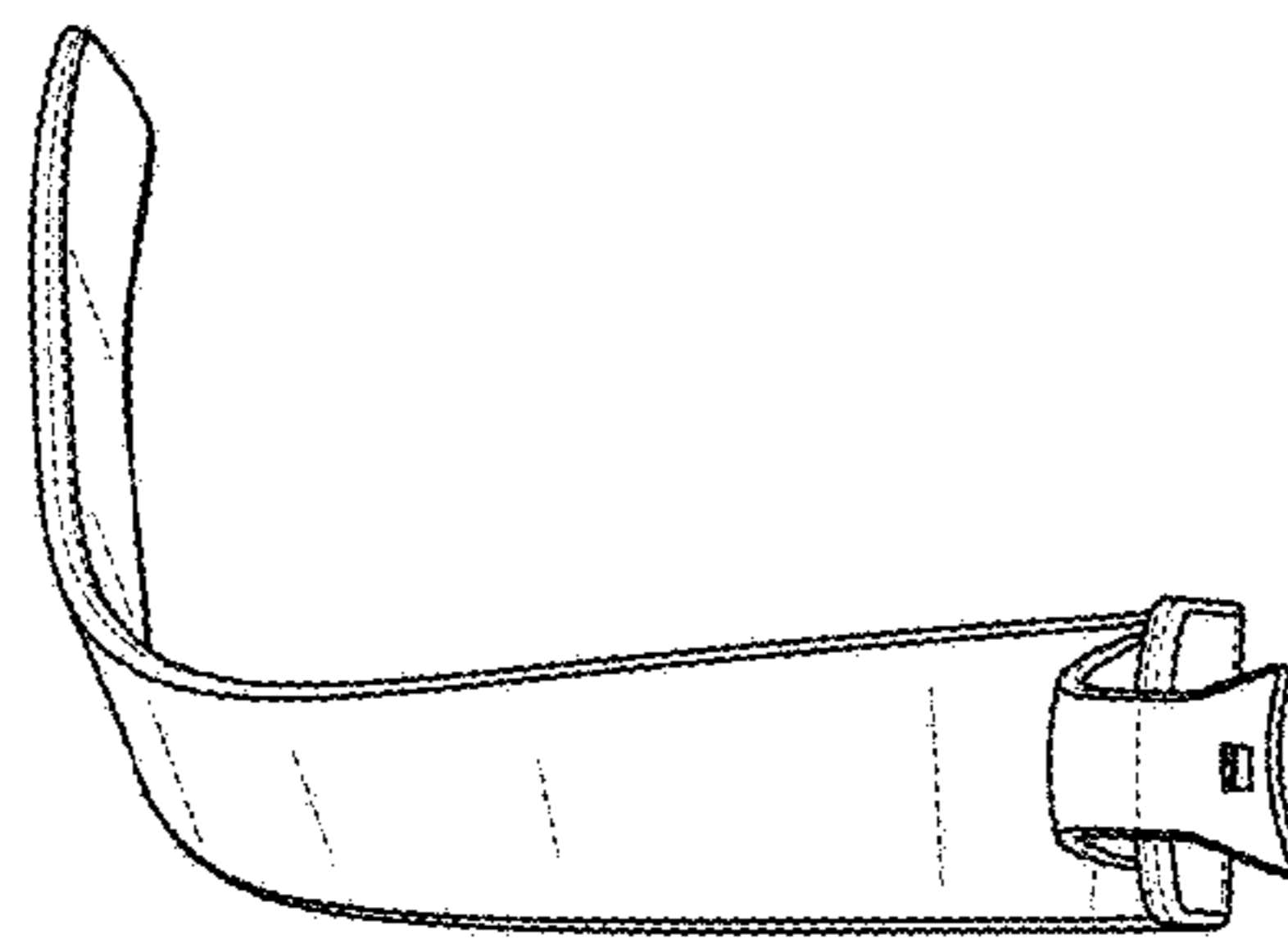


FIG. 12

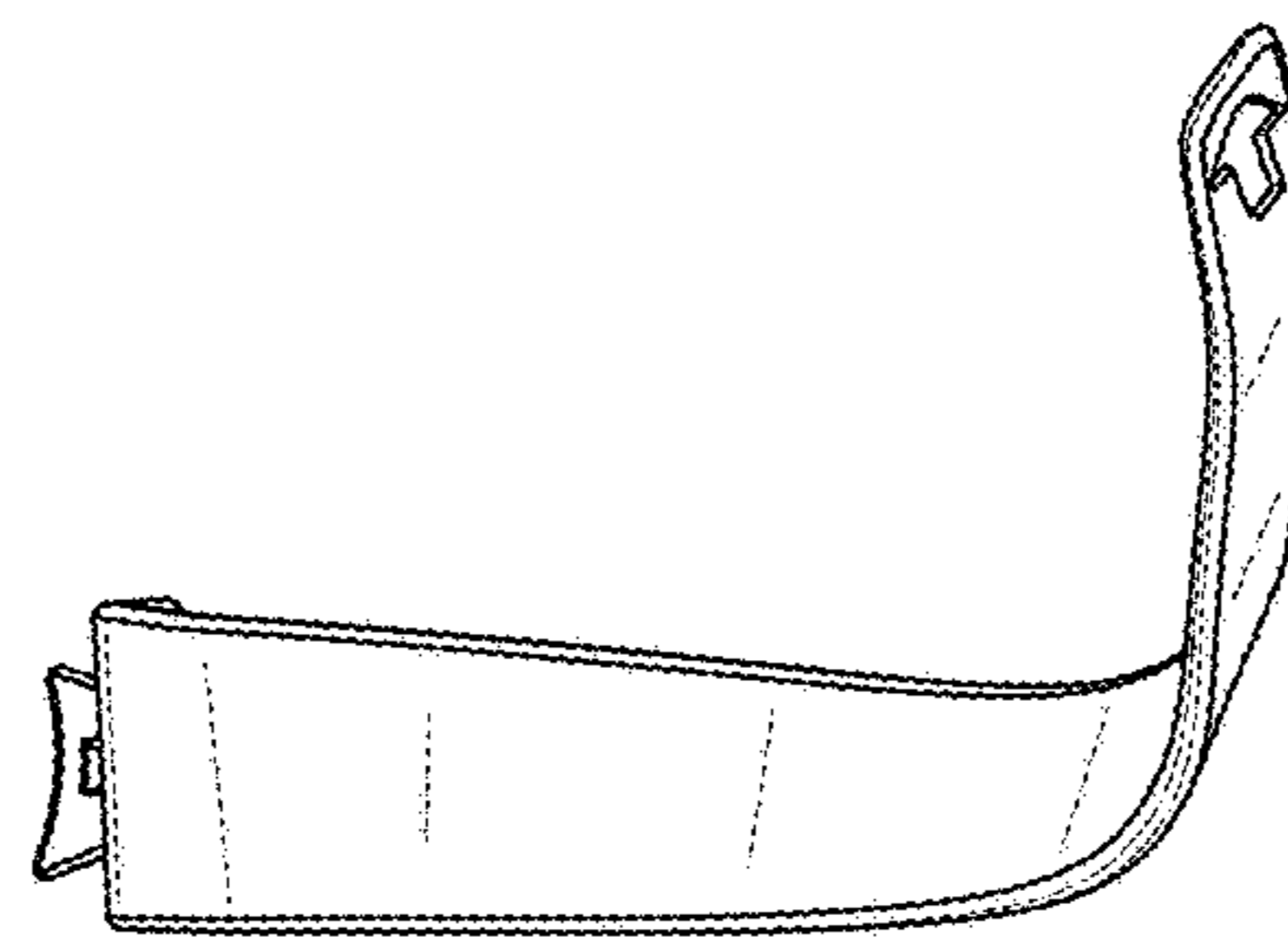


FIG. 13

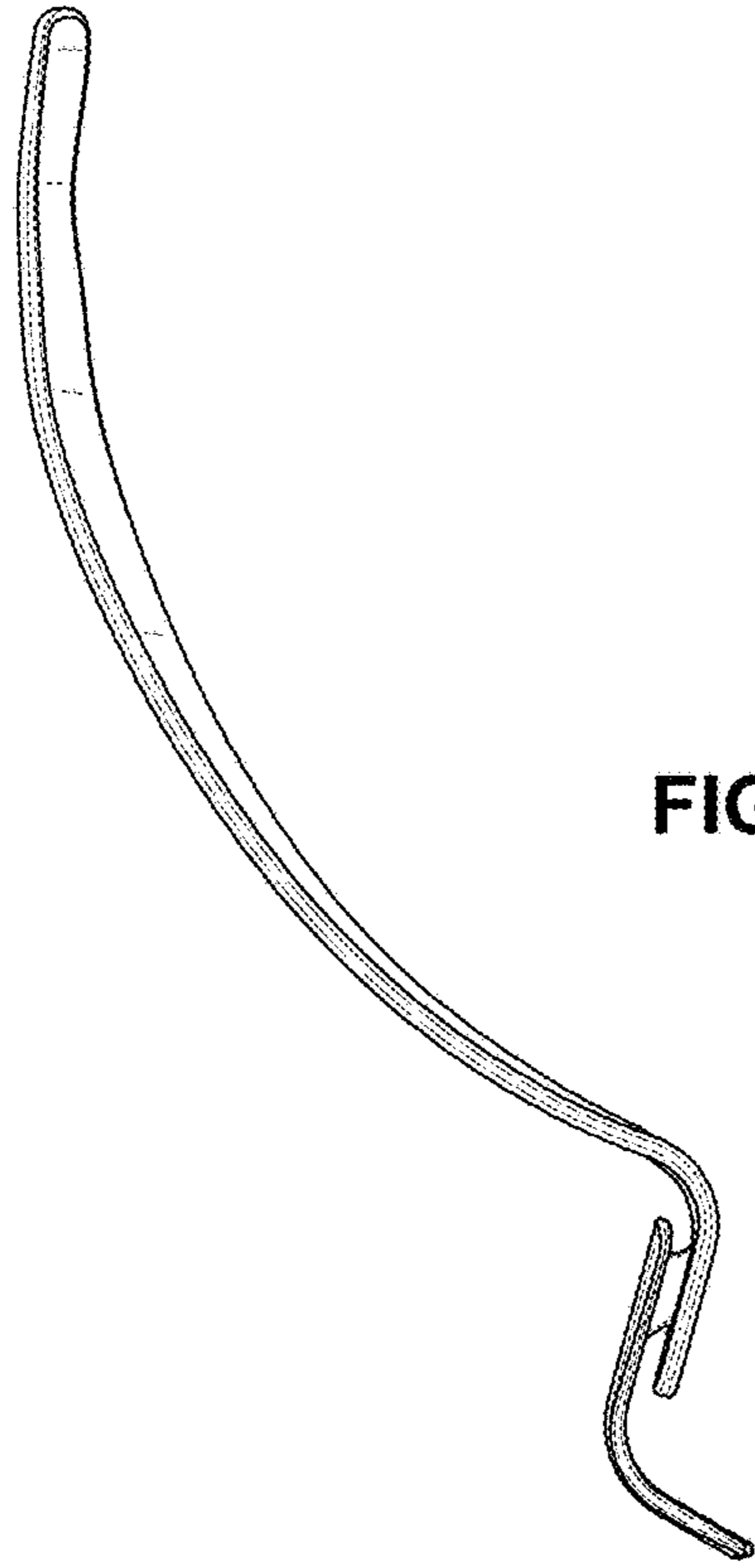


FIG. 14

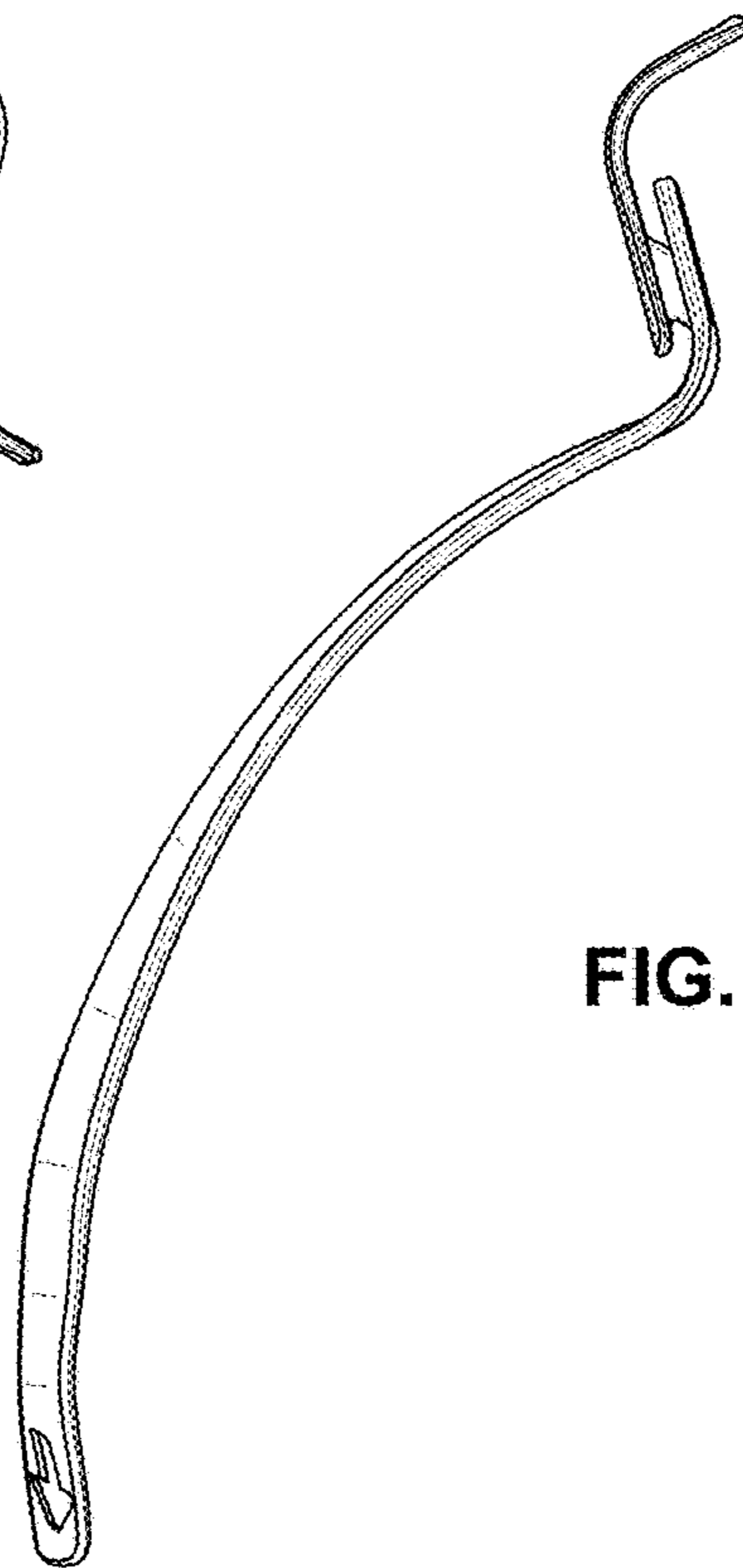


FIG. 15

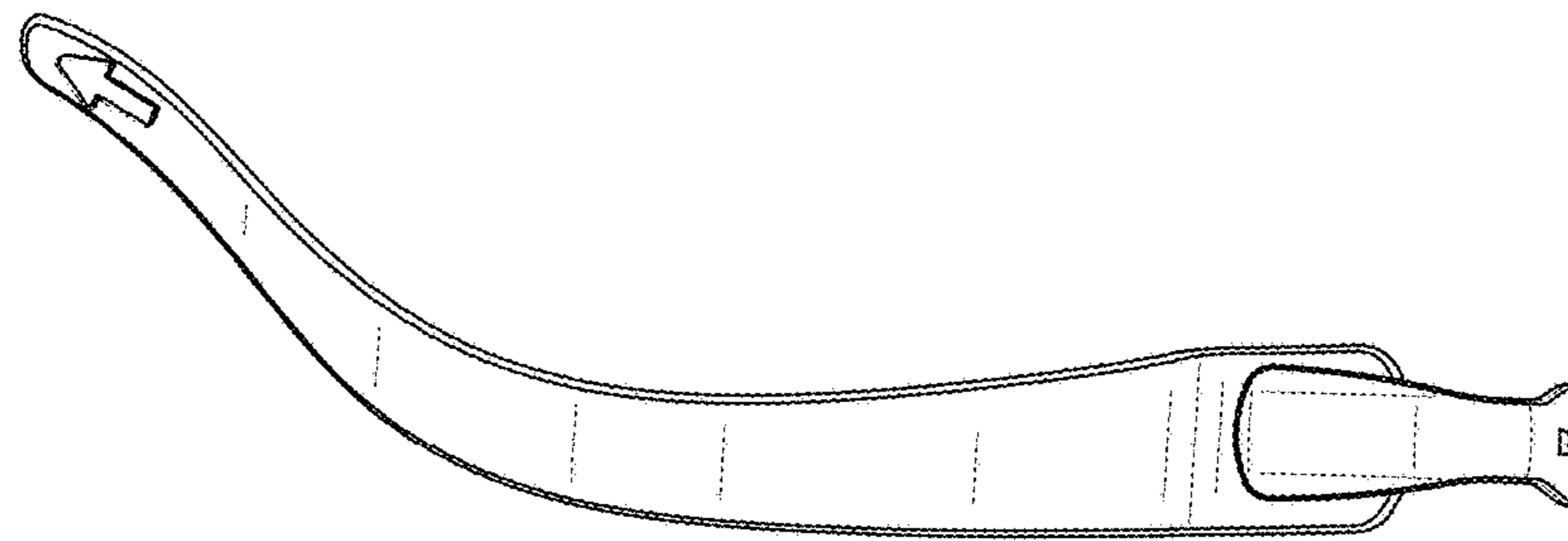


FIG. 16

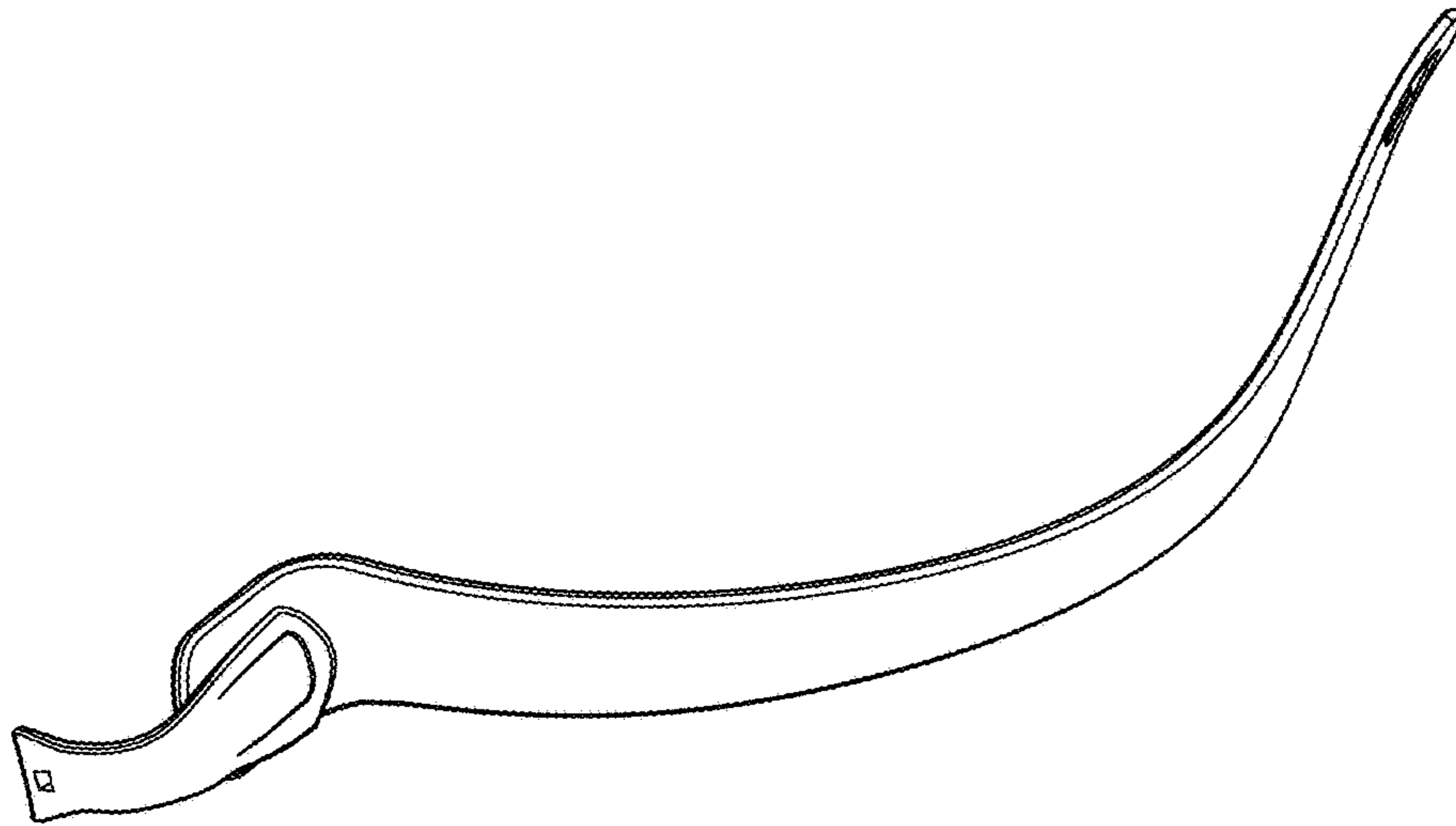


FIG. 17

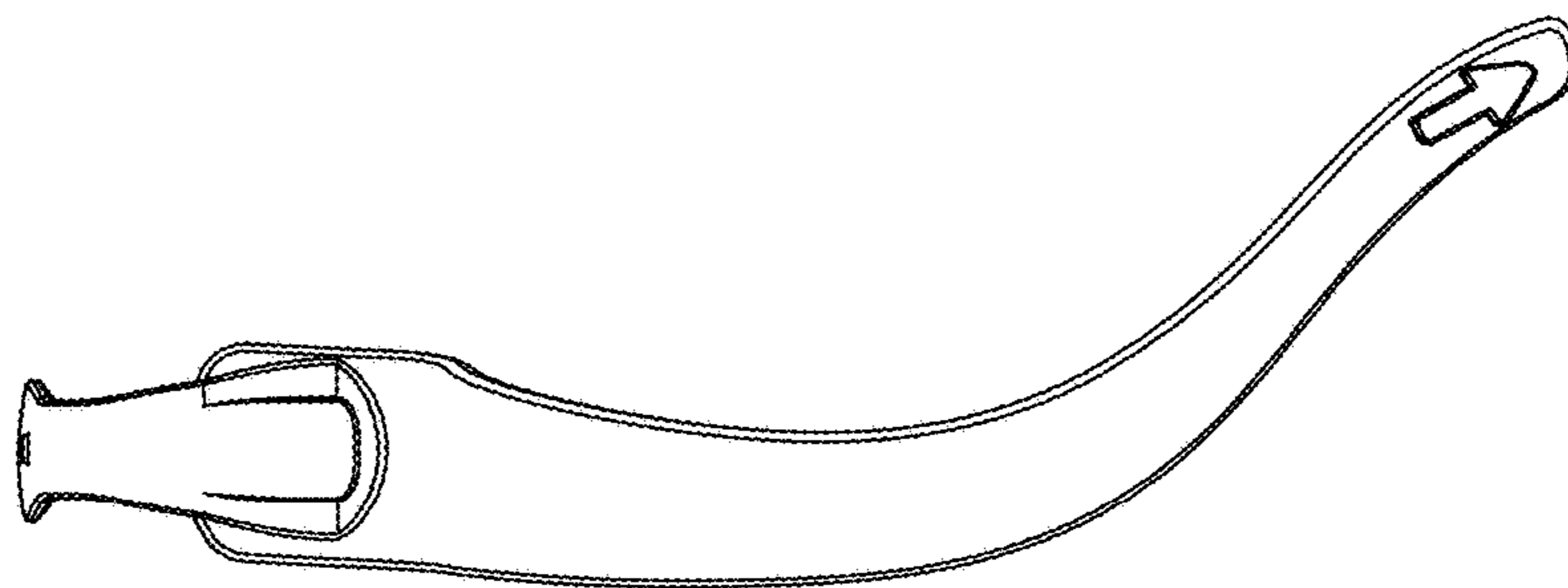


FIG. 18

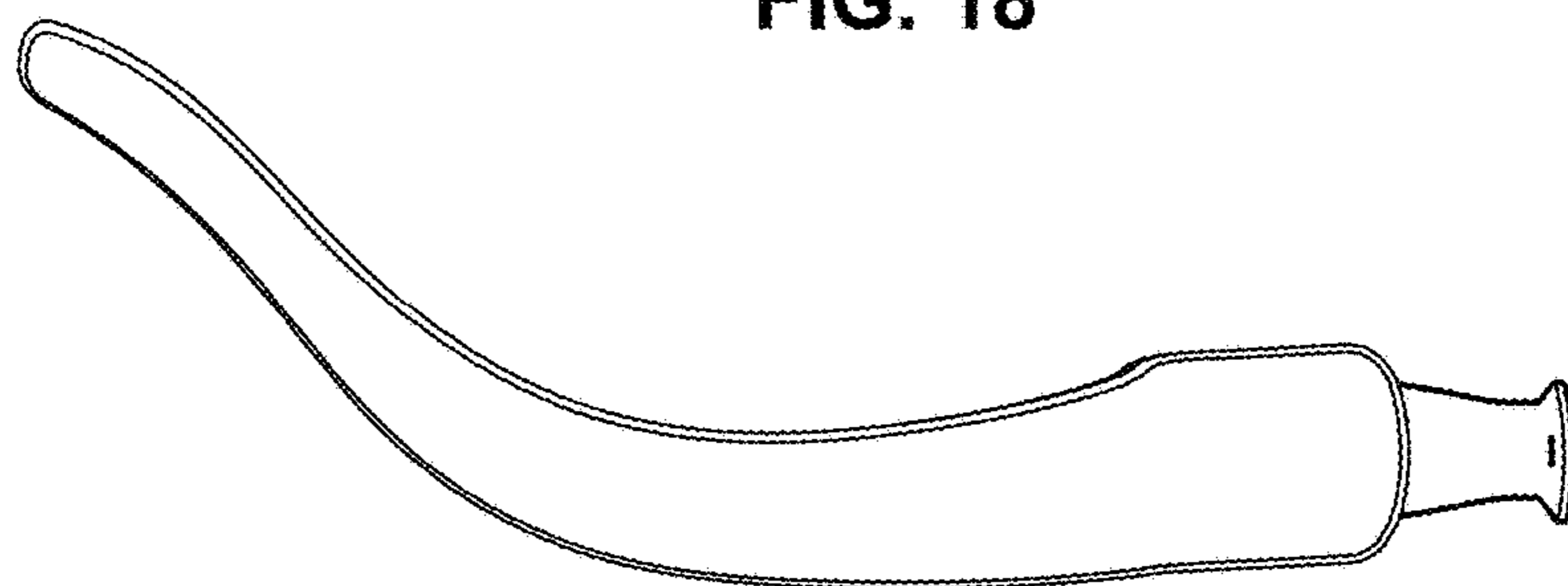


FIG. 19

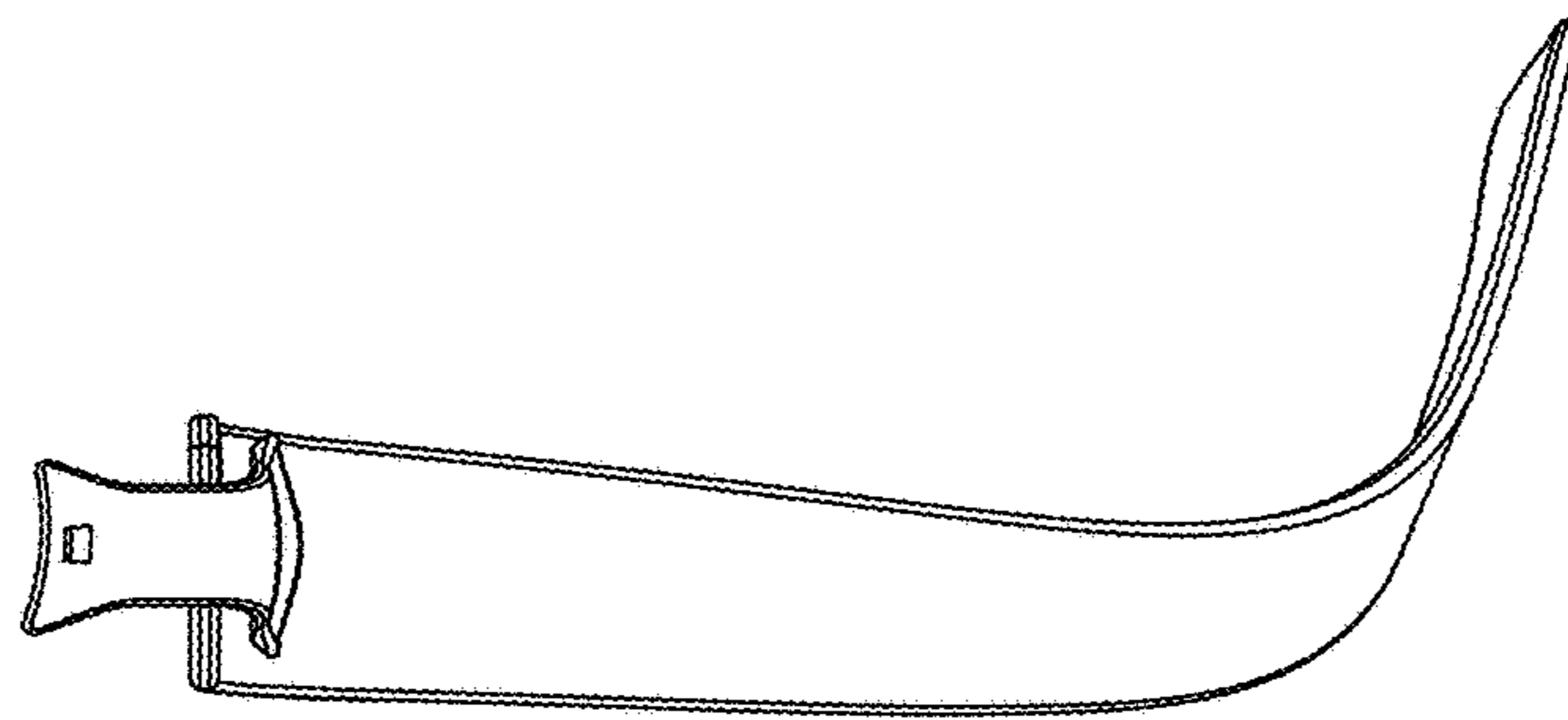


FIG. 20

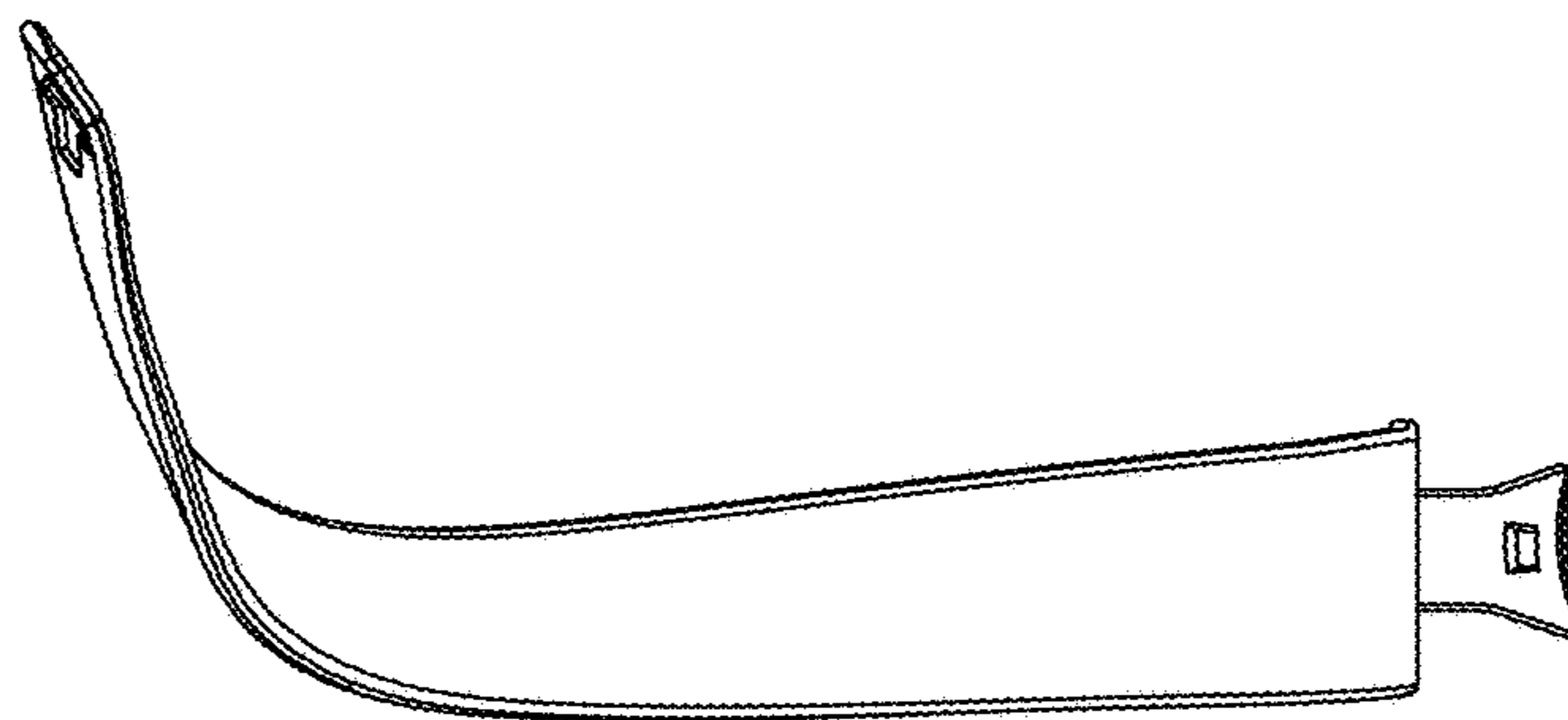


FIG. 21

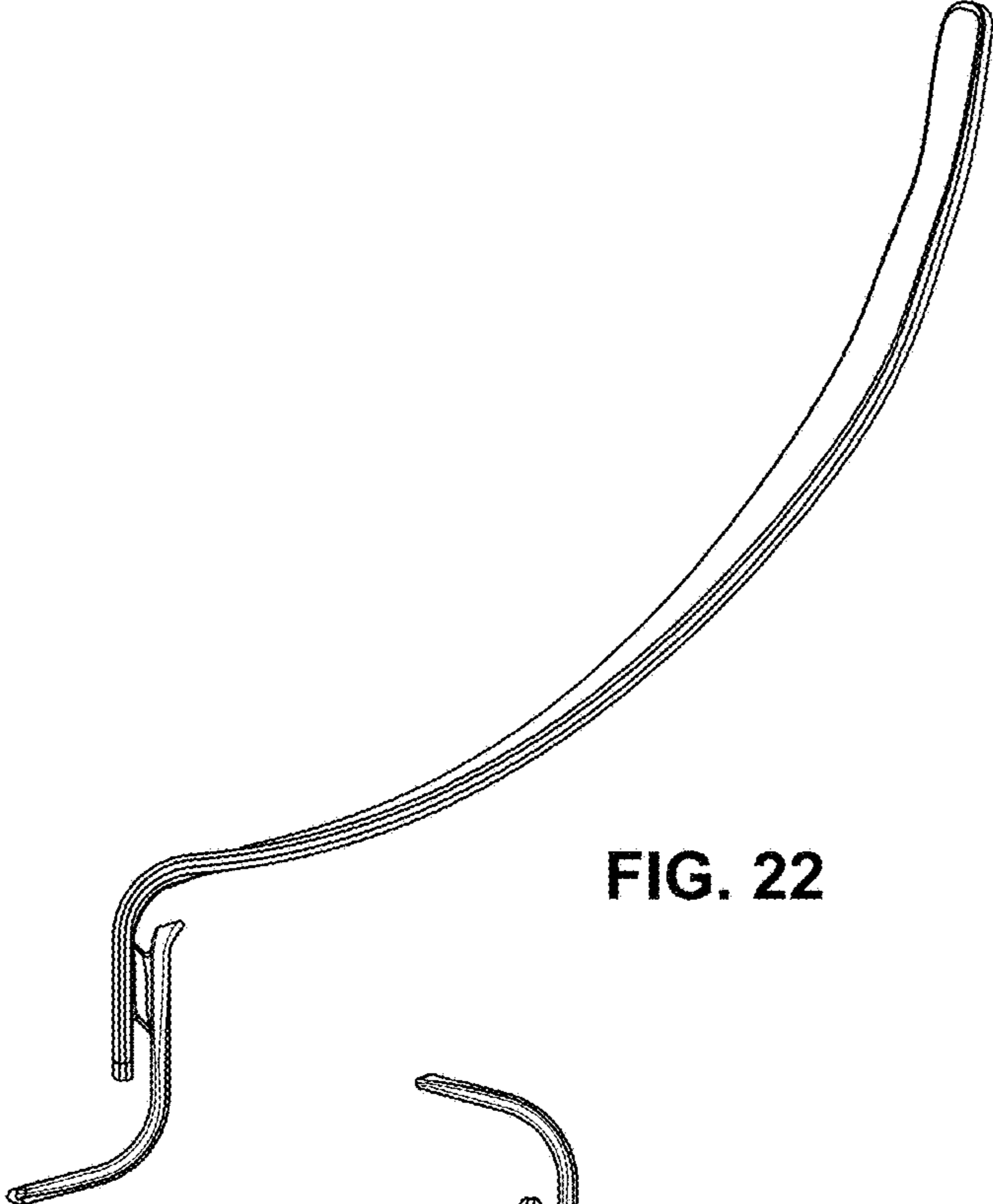


FIG. 22

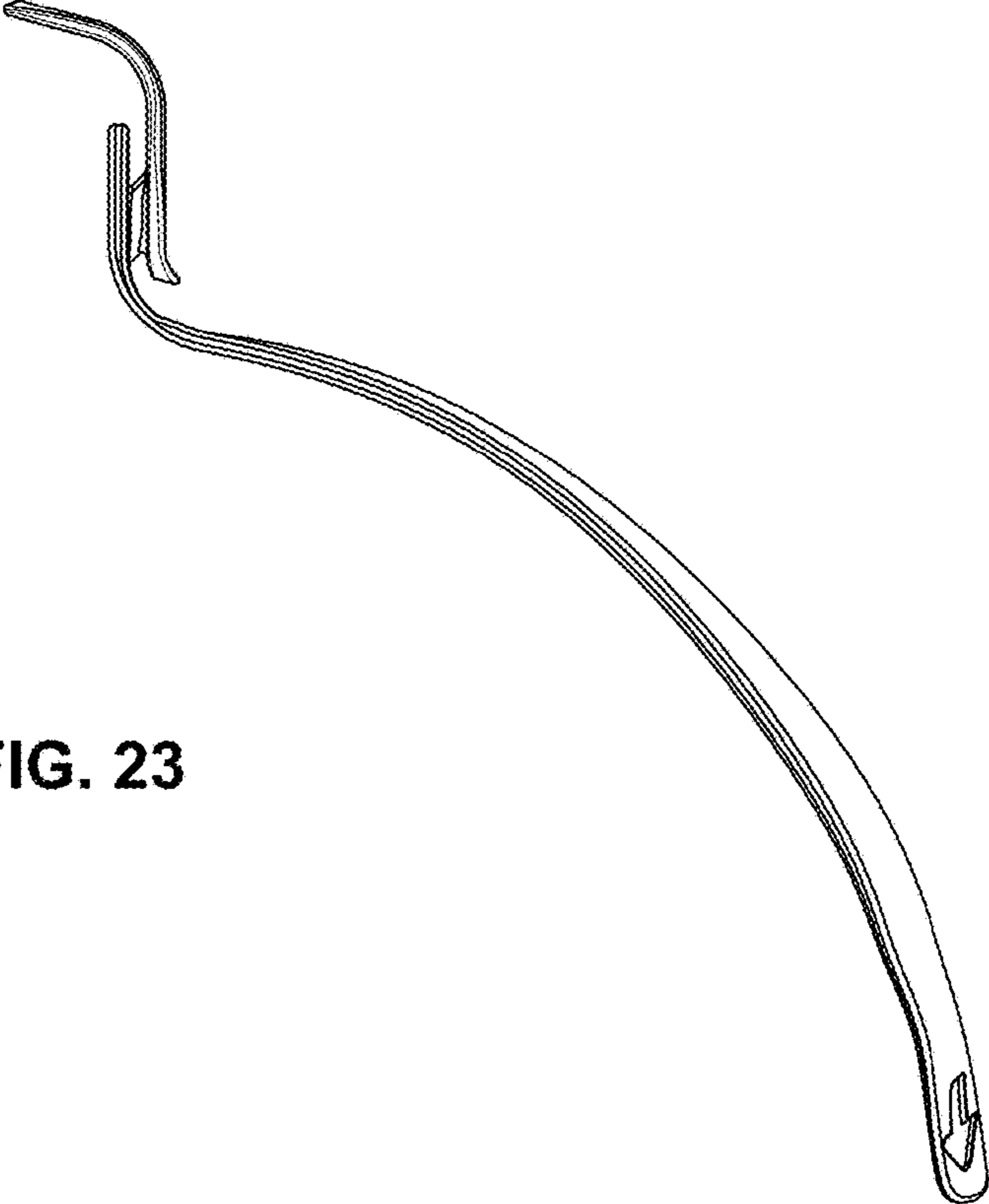


FIG. 23

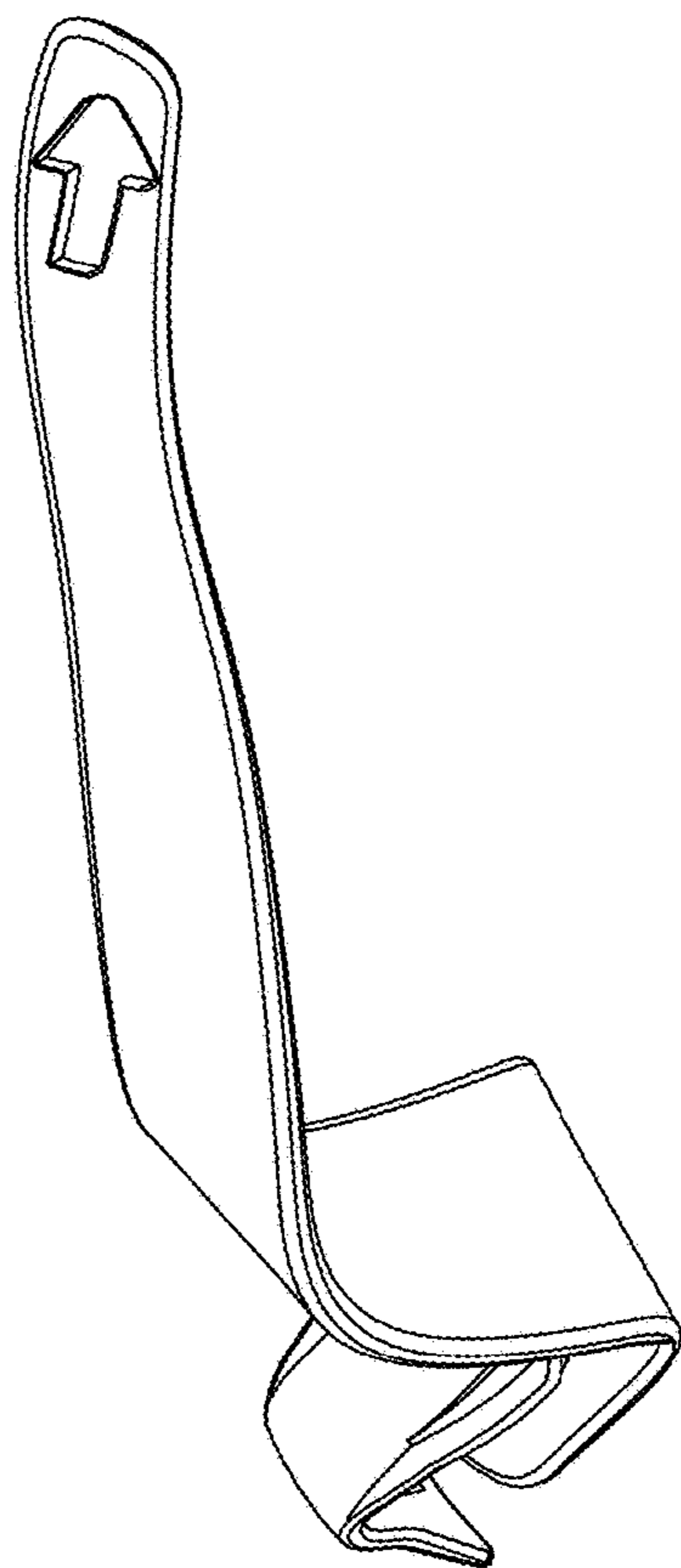


FIG. 24

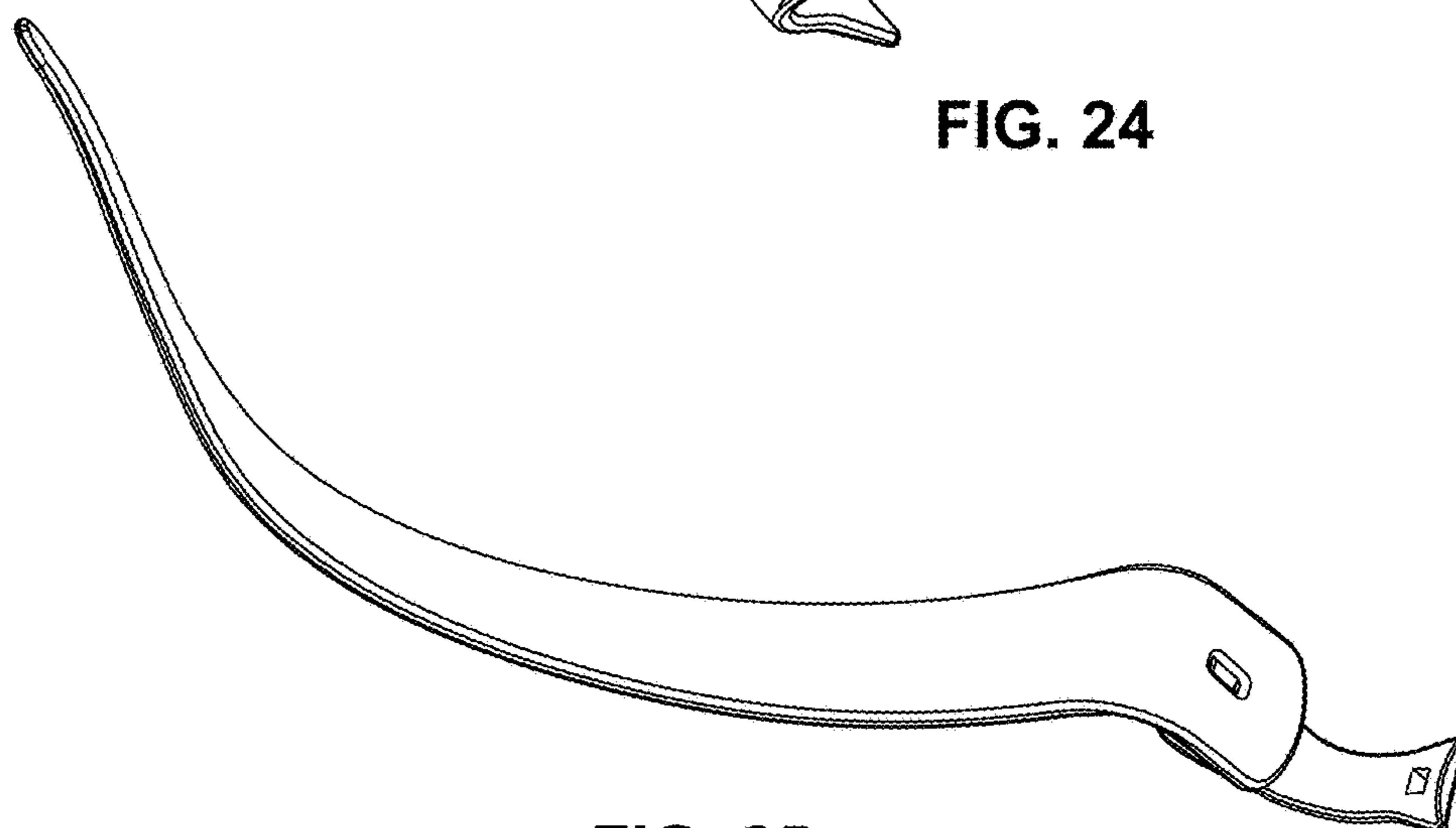


FIG. 25

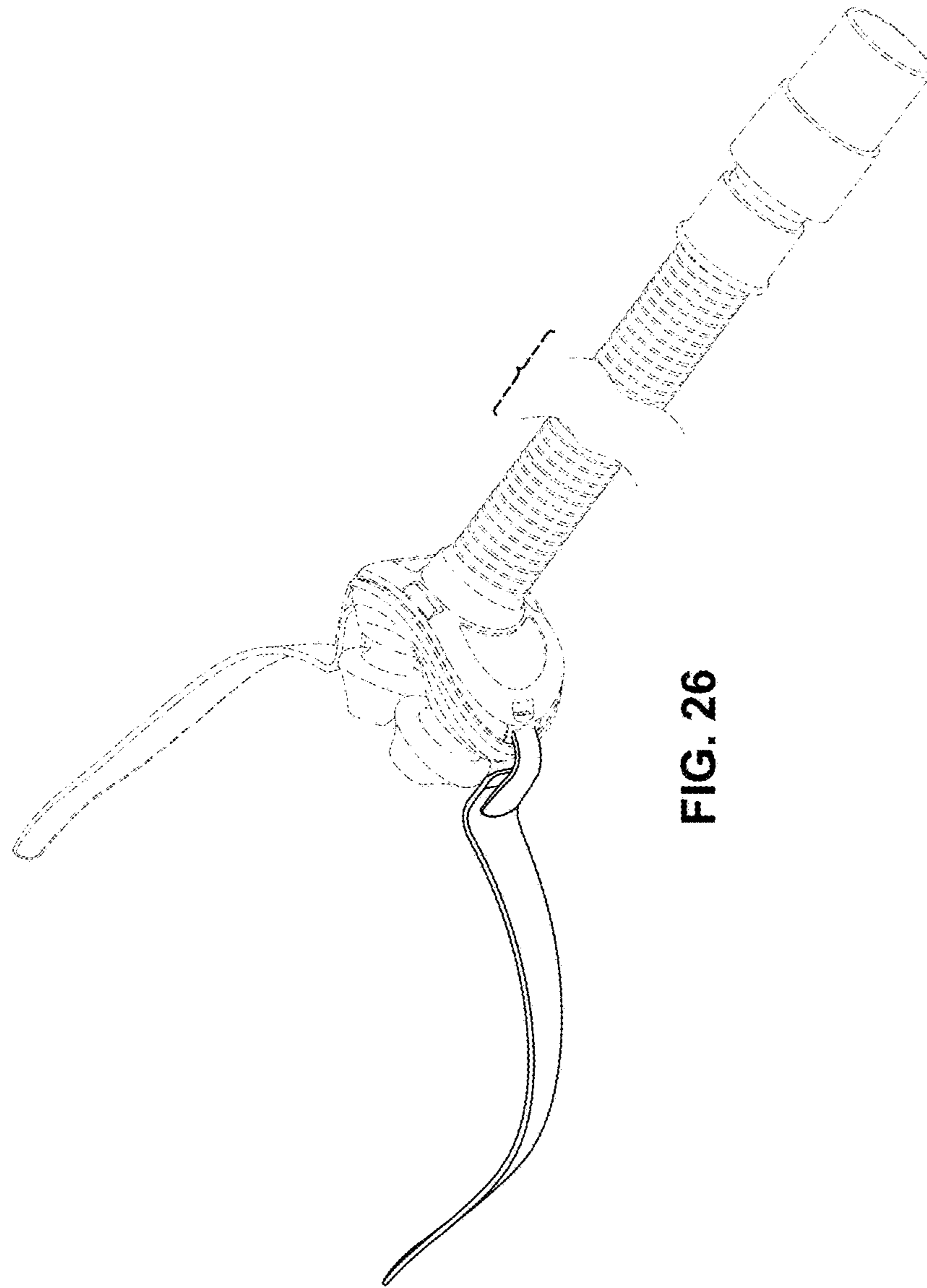


FIG. 26

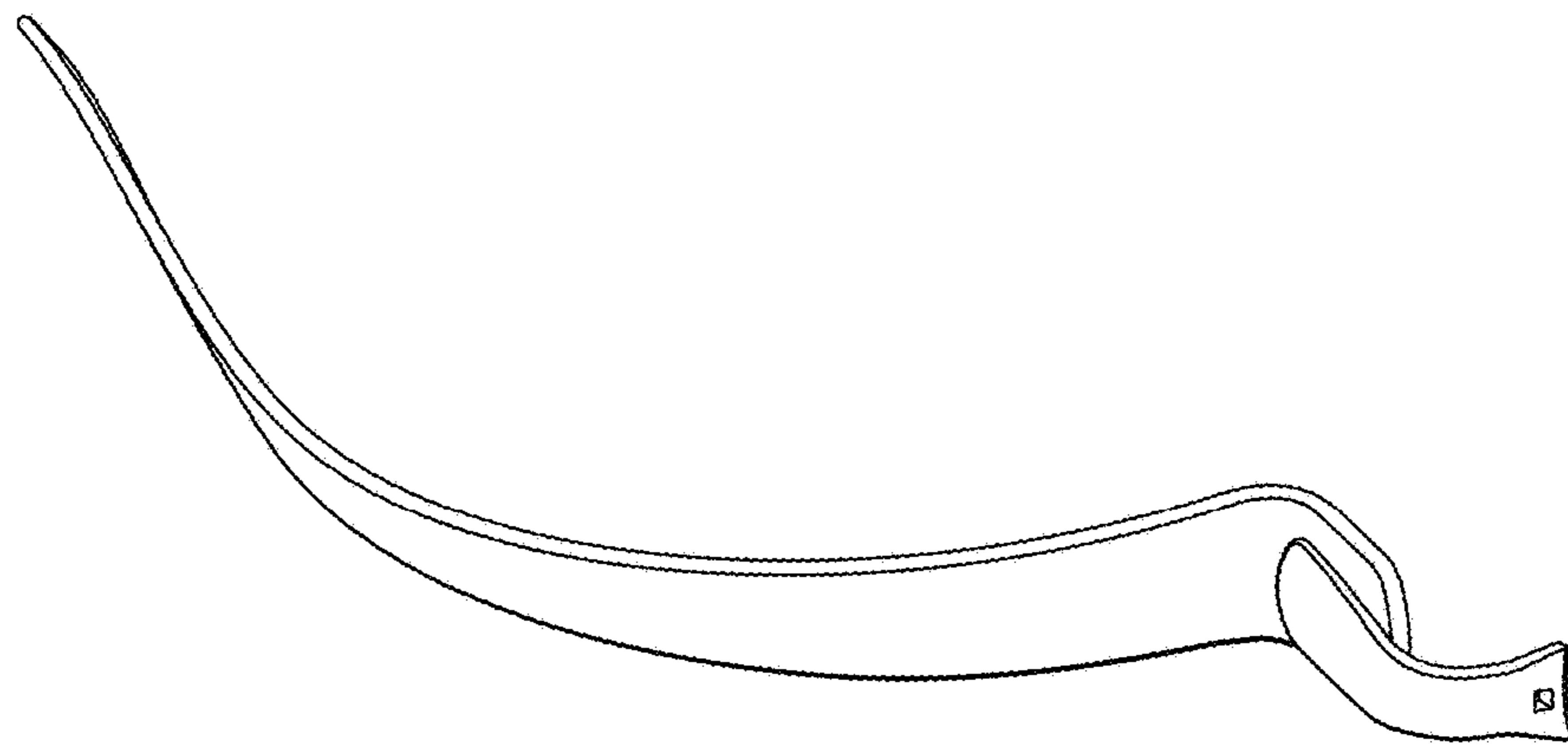


FIG. 27

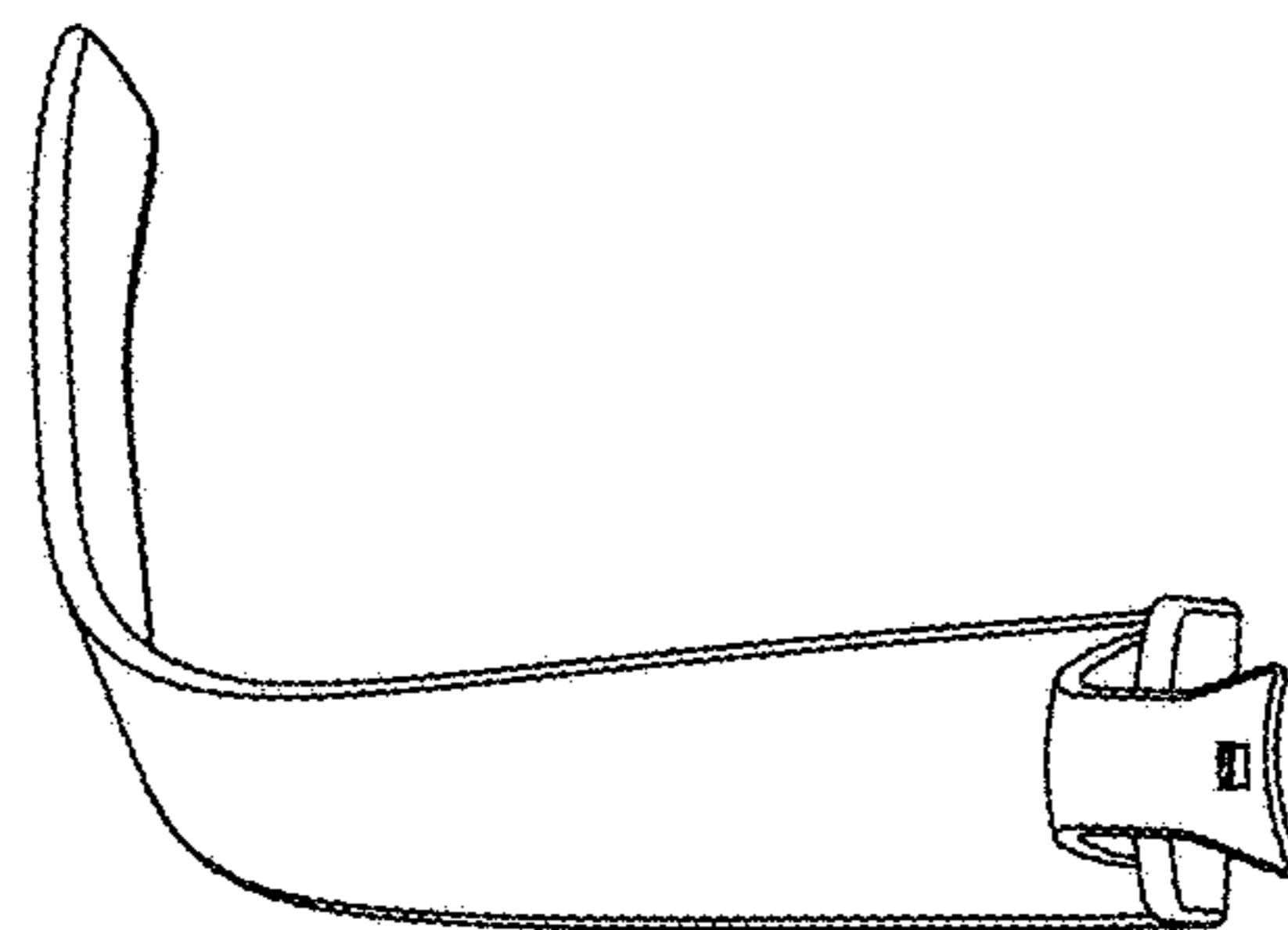


FIG. 28

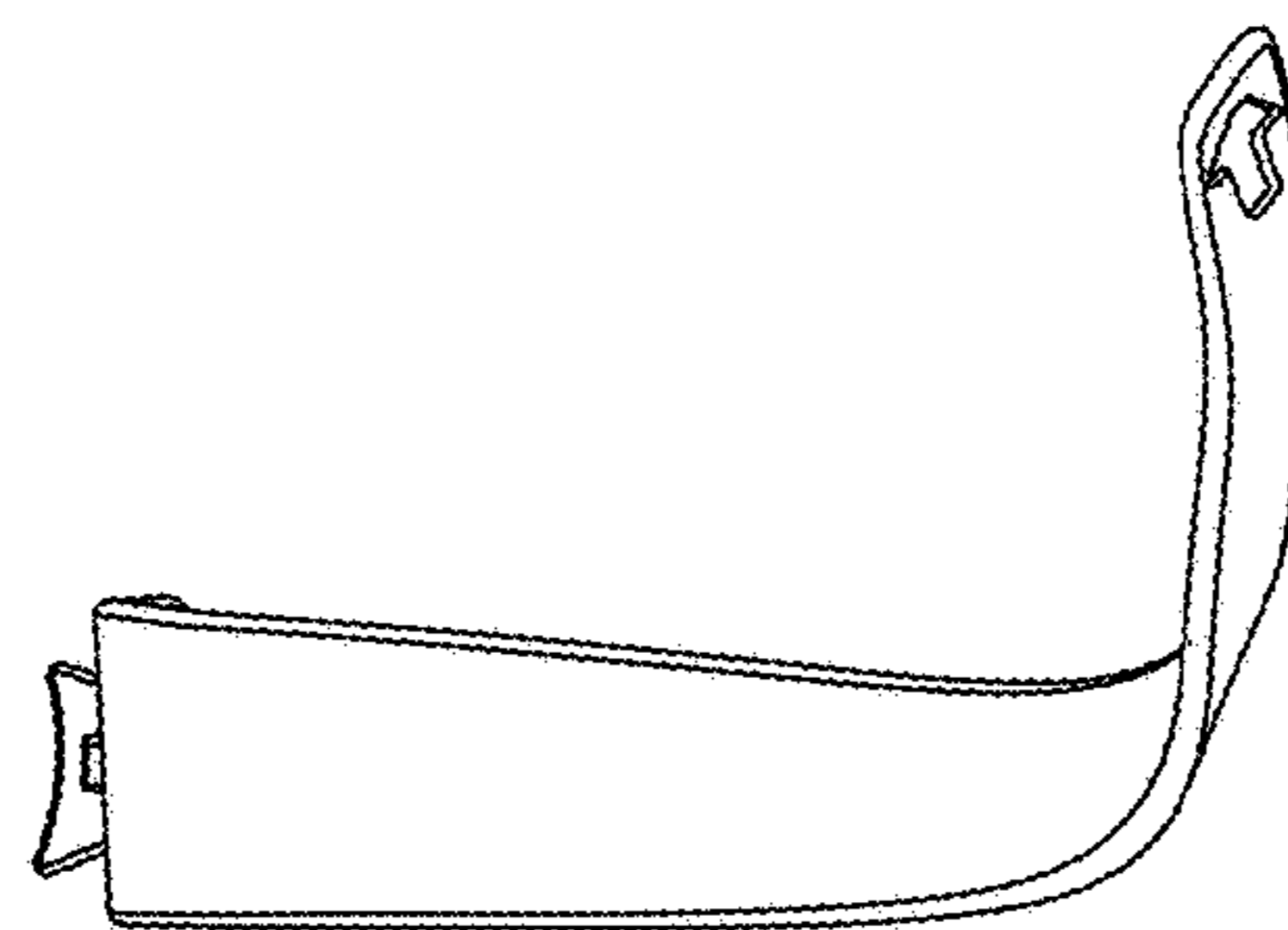


FIG. 29

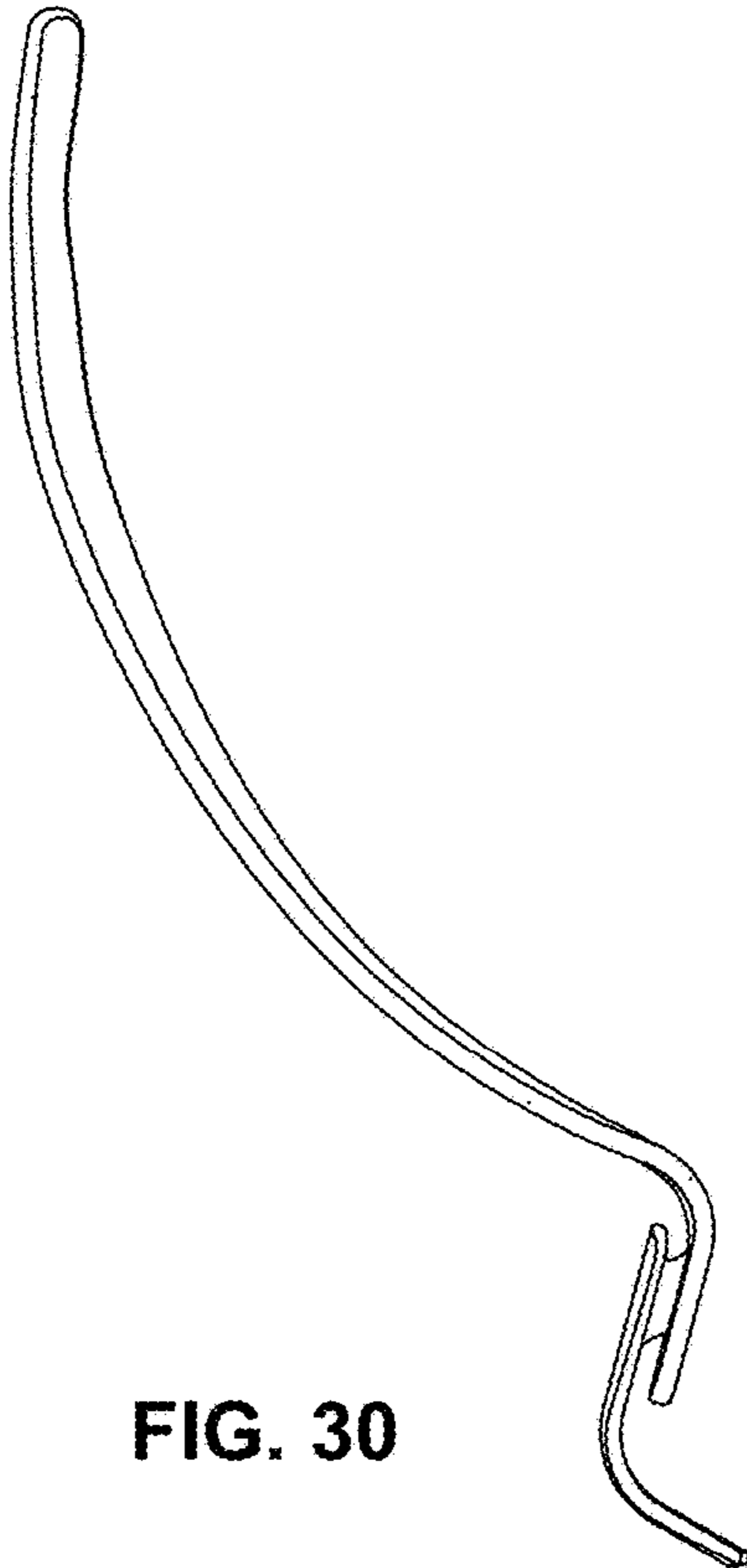


FIG. 30

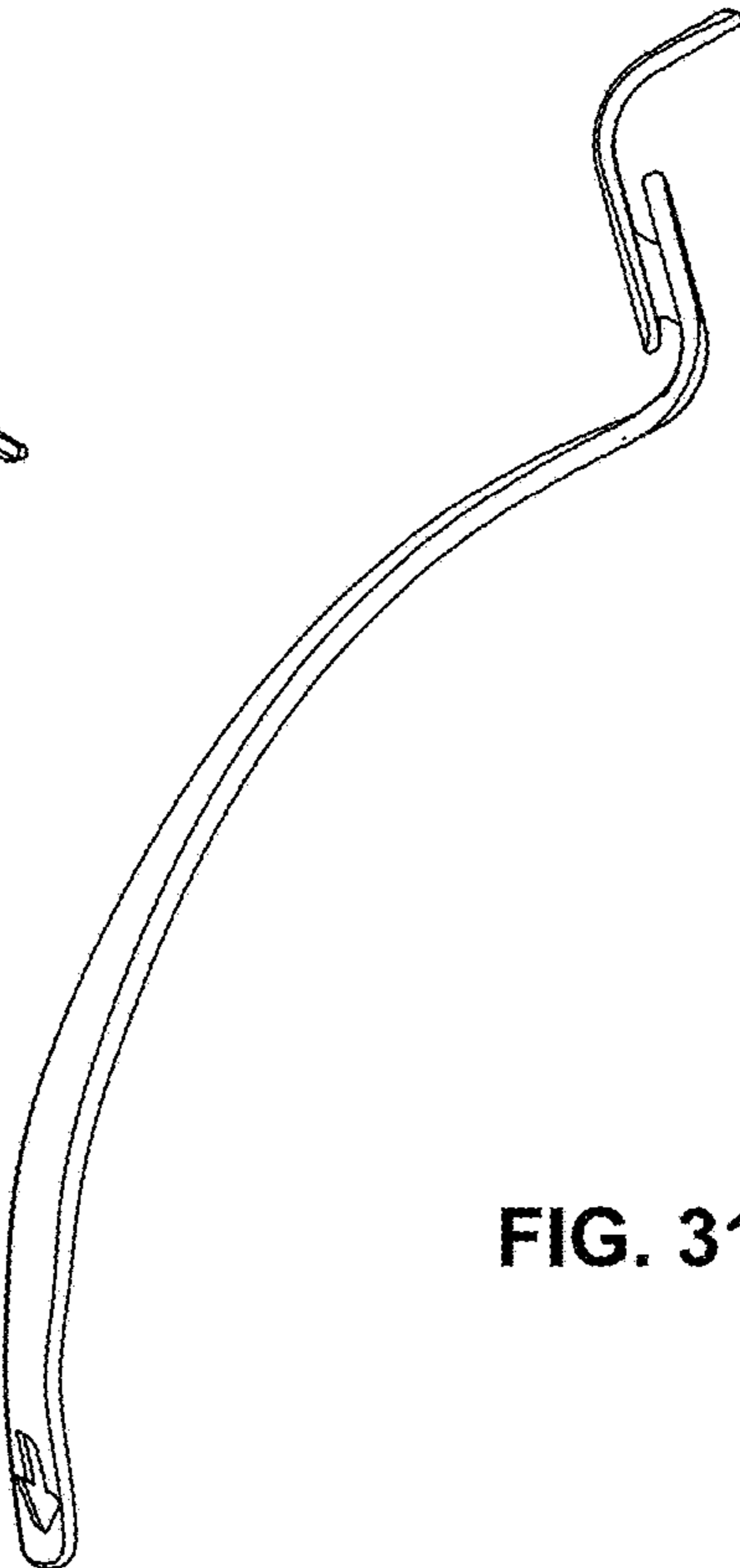


FIG. 31

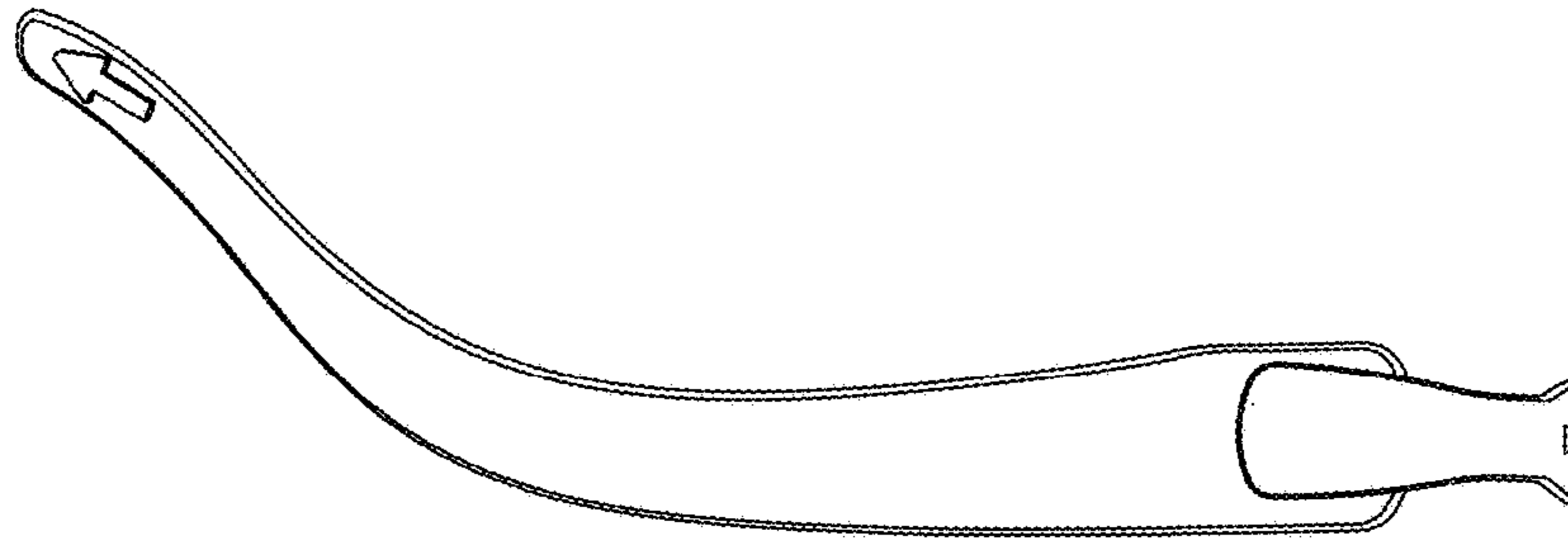


FIG. 32