



US00D858742S

(12) **United States Design Patent**
Teoh

(10) **Patent No.:** **US D858,742 S**
(45) **Date of Patent:** **** Sep. 3, 2019**

- (54) **OBSTETRICAL VACUUM APPARATUS**
- (71) Applicant: **JCT Solutions Pty Ltd**, Dalkeith (AU)
- (72) Inventor: **Pek Joo Teoh**, Dalkeith (AU)
- (73) Assignee: **JCT Solutions Pty Ltd**, Dalkeith (AU)
- (**) Term: **15 Years**
- (21) Appl. No.: **29/643,678**
- (22) Filed: **Apr. 10, 2018**
- (30) **Foreign Application Priority Data**
Oct. 13, 2017 (AU) 201716242
- (51) **LOC (12) Cl.** **24-01**
- (52) **U.S. Cl.**
USPC **D24/108**; D24/133
- (58) **Field of Classification Search**
USPC D24/107-108, 133, 141
CPC A61B 17/44; A61B 17/445; A61B 17/447;
A61B 17/442; A61B 2017/308
See application file for complete search history.

(56) **References Cited**

U.S. PATENT DOCUMENTS

- D30,951 S * 6/1899 Saint Cyr, Jr. D24/133
- 3,202,152 A * 8/1965 Wood A61B 17/442
604/73
- 3,263,683 A * 8/1966 Uddenberg A61M 1/08
604/317
- 5,019,086 A * 5/1991 Neward A61B 17/442
606/123
- D320,855 S * 10/1991 Smith D24/133
- 5,163,944 A * 11/1992 Neward A61B 17/442
604/74
- 5,713,909 A * 2/1998 Lindsay A61B 17/442
604/149

- 5,935,136 A * 8/1999 Hulse A61B 17/442
606/119
- 6,074,399 A * 6/2000 Wallace A61B 17/442
606/122
- 6,179,845 B1 * 1/2001 Peters A61B 17/442
604/74
- 6,355,047 B1 * 3/2002 Wallace A61B 17/442
606/122
- 6,361,542 B1 * 3/2002 Dimitriu A61B 17/442
606/119
- D502,259 S * 2/2005 Hallen D24/108
- 7,476,231 B2 * 1/2009 Ross A61B 17/442
606/123
- D639,941 S * 6/2011 Porat D24/133
- 2004/0111098 A1 * 6/2004 Hallen A61B 17/442
606/123
- 2004/0138645 A1 * 7/2004 Lonky A61B 17/00234
604/540
- 2005/0203334 A1 * 9/2005 Lonky A61B 17/00234
600/37
- 2006/0161175 A1 * 7/2006 Ross A61B 17/442
606/123

(Continued)

Primary Examiner — Lilyana Bekic
(74) *Attorney, Agent, or Firm* — Winstead PC

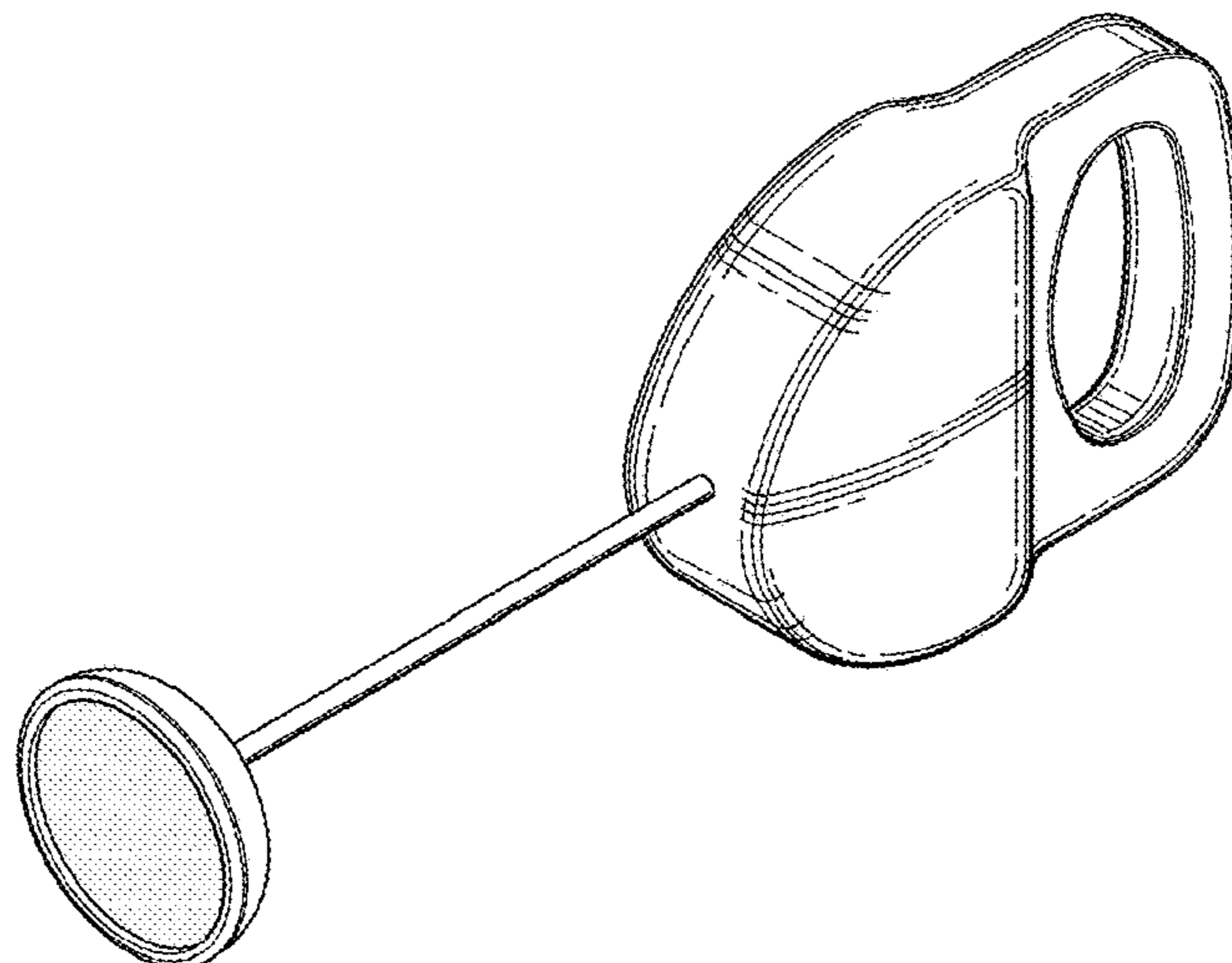
(57) **CLAIM**

The ornamental design for an obstetrical vacuum apparatus, as shown and described.

DESCRIPTION

FIG. 1 is a front perspective view of an obstetrical vacuum apparatus in accordance with the design; FIG. 2 is a rear perspective view thereof; FIG. 3 is a right side view thereof; FIG. 4 is a left side view thereof; FIG. 5 is a front view thereof; FIG. 6 is a rear view thereof; FIG. 7 is a top plan view thereof; and, FIG. 8 is a bottom plan view thereof.

1 Claim, 4 Drawing Sheets



(56)

References Cited

U.S. PATENT DOCUMENTS

2008/0125792	A1 *	5/2008	Giardina	A61B 17/442	606/123
2009/0204124	A1 *	8/2009	Ross	A61B 17/442	606/123
2013/0060259	A1 *	3/2013	Porat	A61B 5/6843	606/123

* cited by examiner

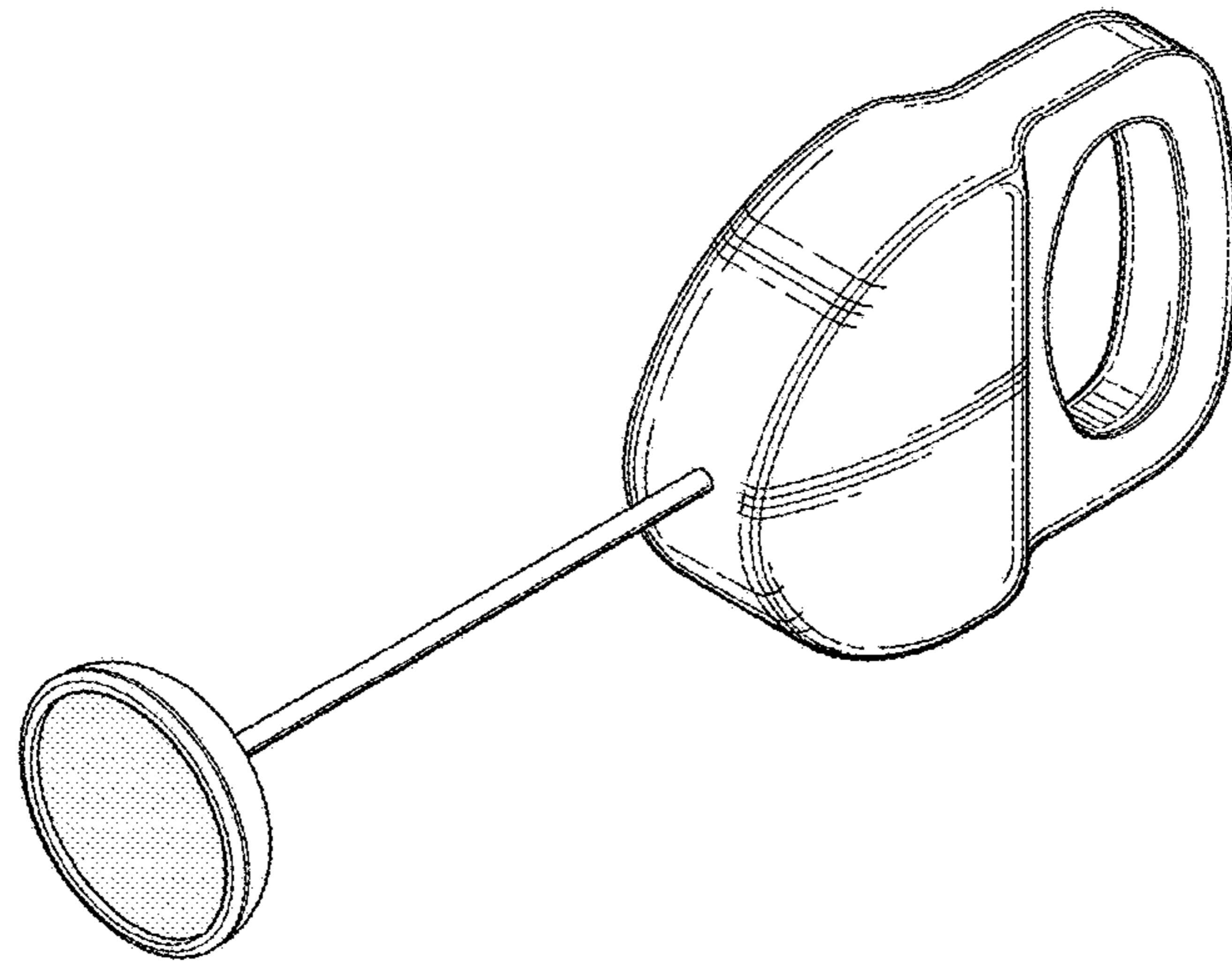


FIG.1

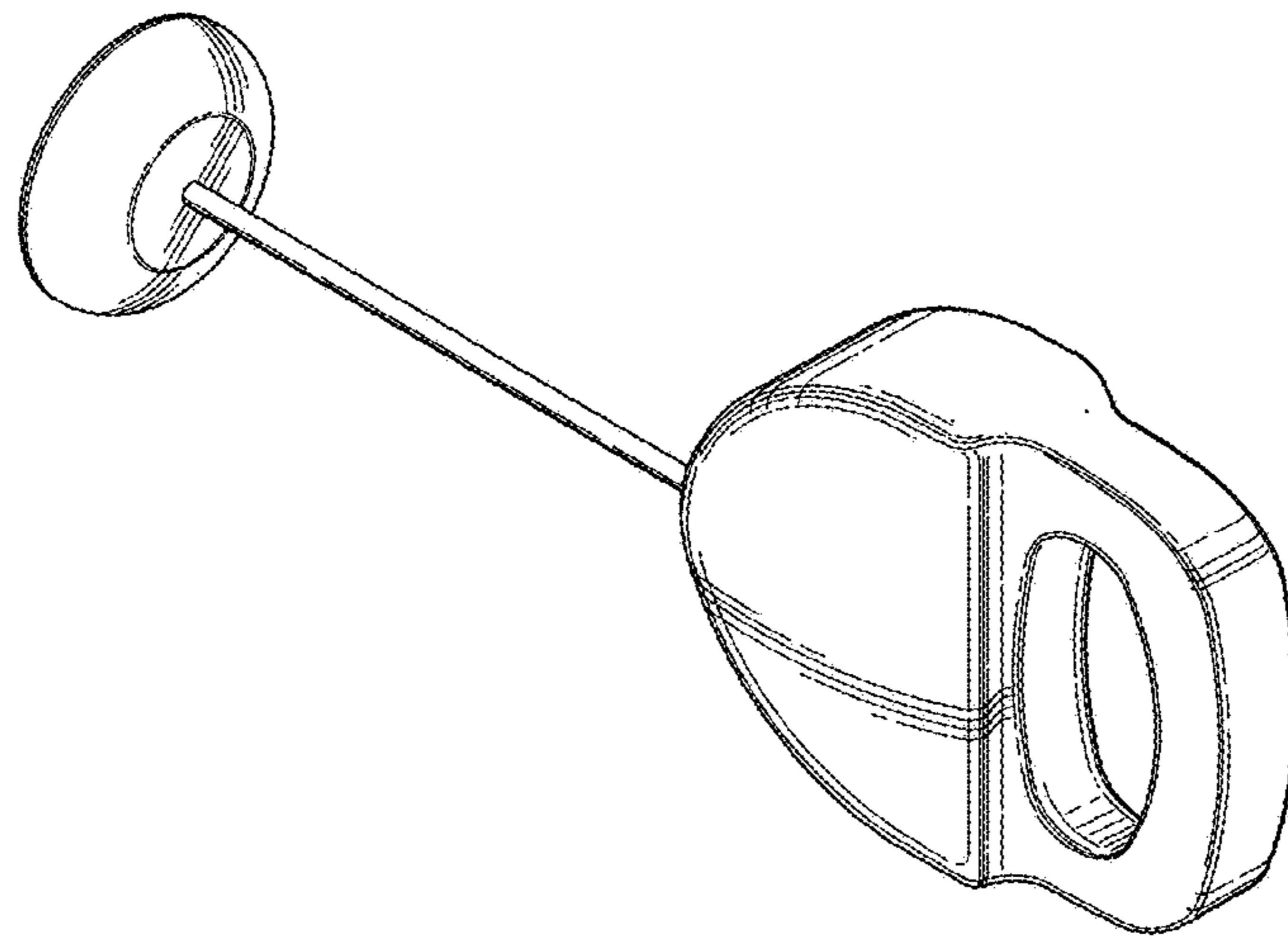


FIG.2

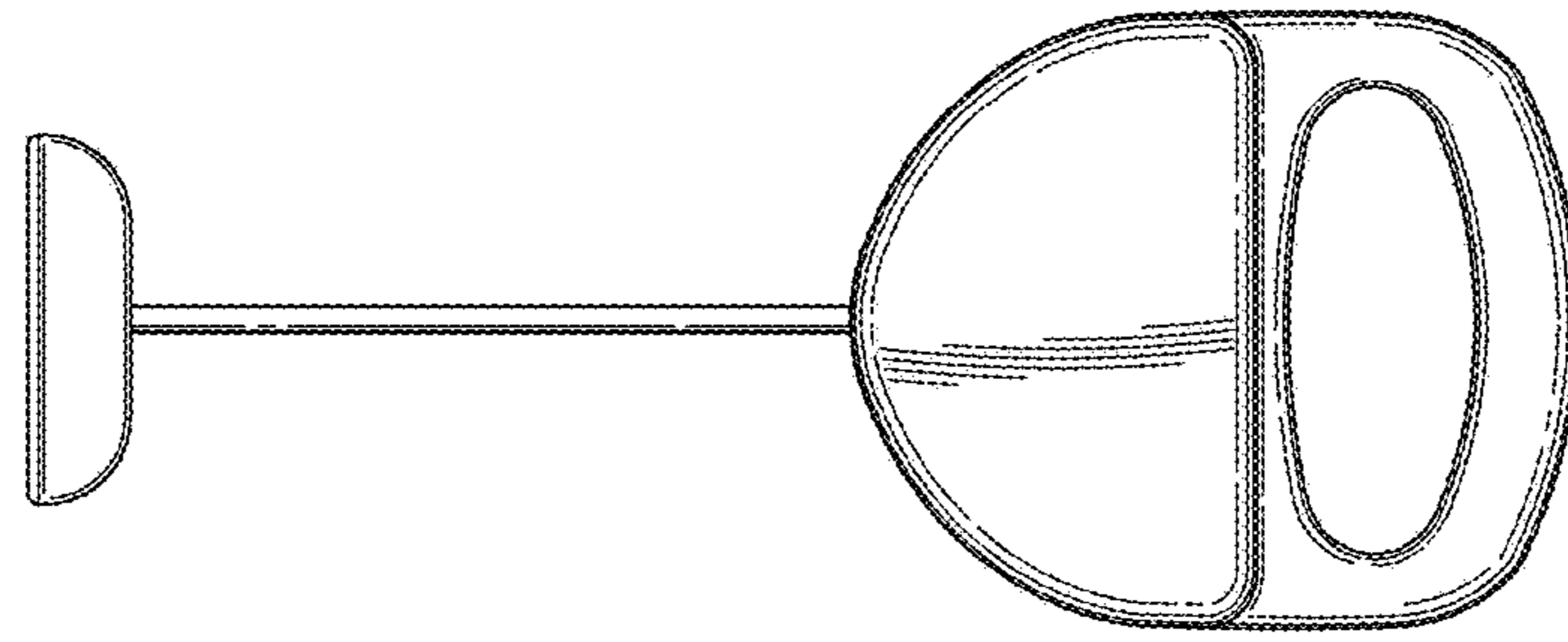


FIG.3

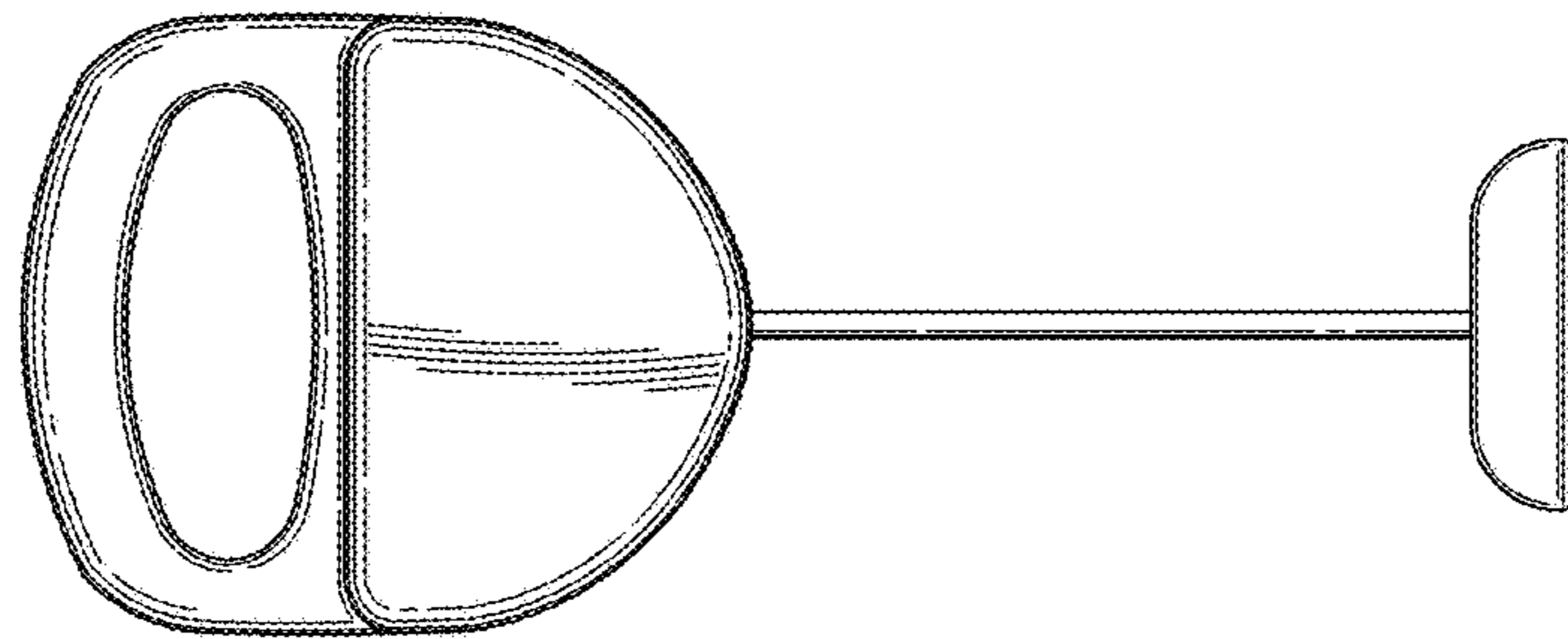


FIG.4

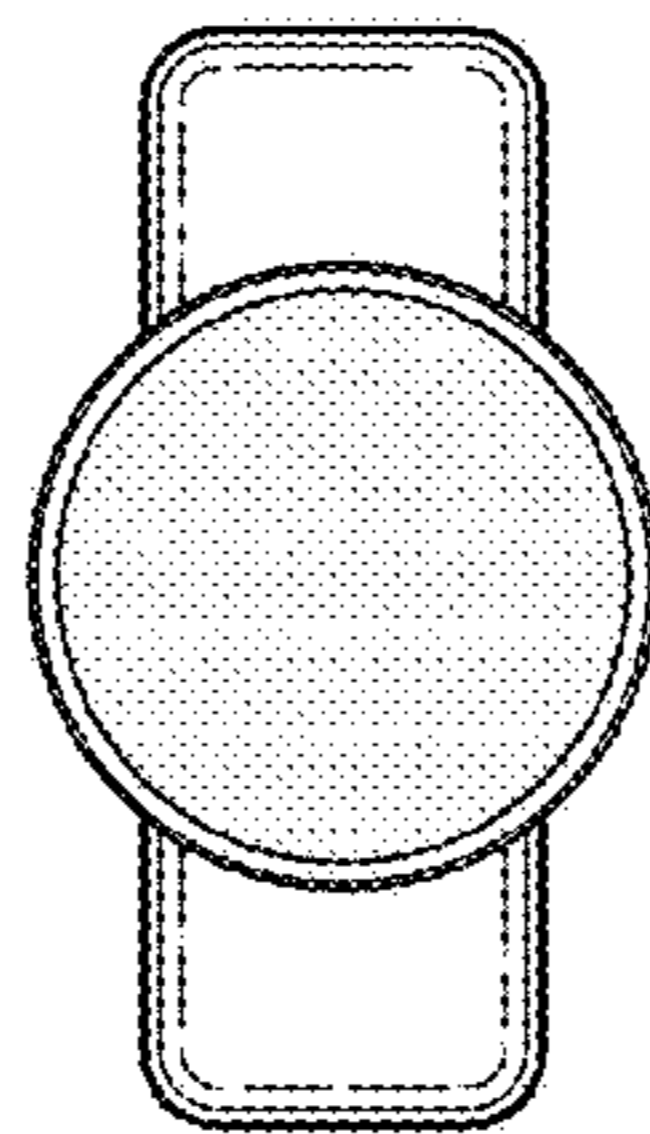


FIG.5

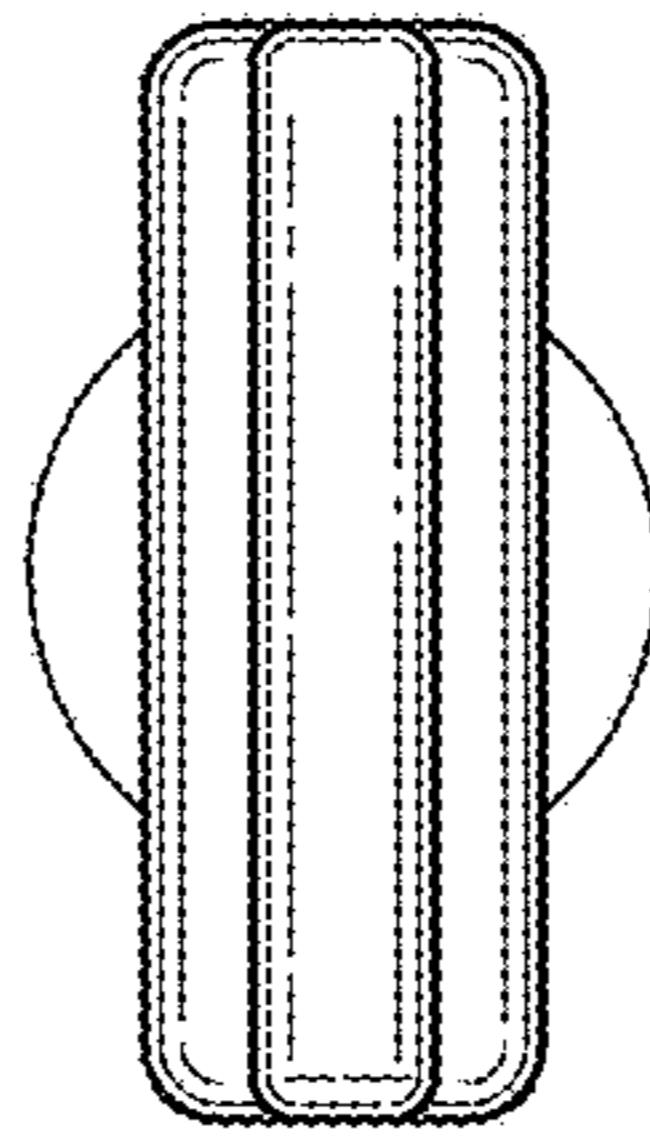


FIG.6

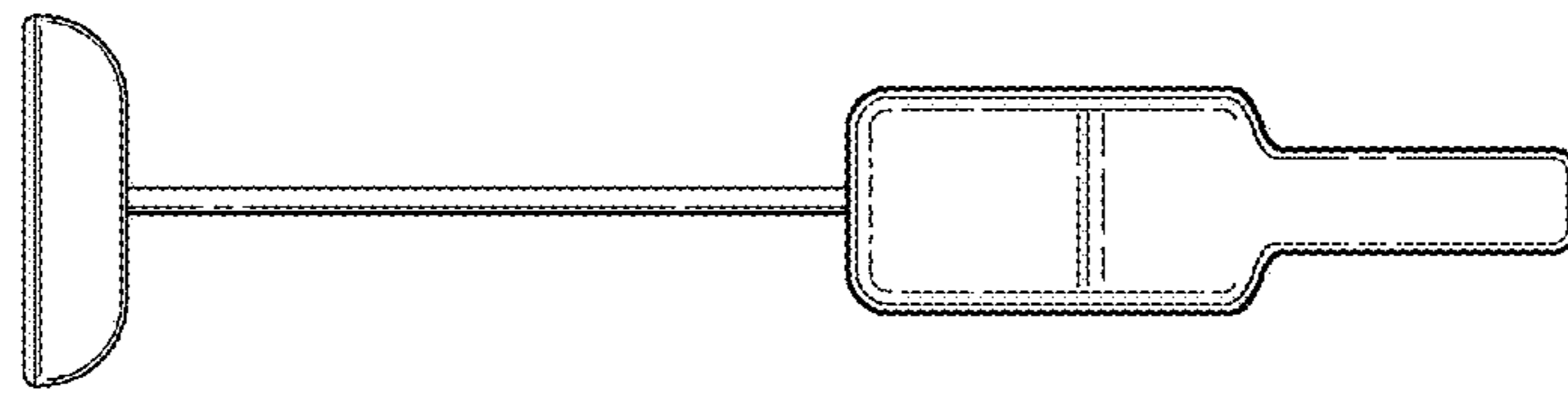


FIG.7

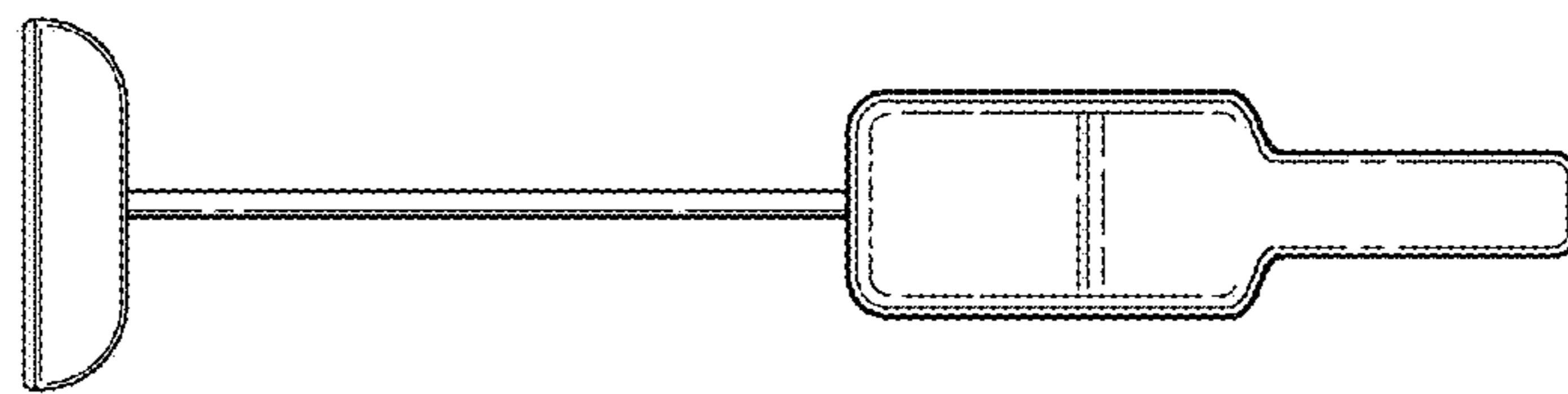


FIG.8