



US00D858740S

(12) **United States Design Patent** (10) **Patent No.:** **US D858,740 S**
Rike et al. (45) **Date of Patent:** **** Sep. 3, 2019**

(54) **PLATE FOR TANK SUPPORT SYSTEM**

(71) Applicant: **WORTHINGTON INDUSTRIES, INC.**, Columbus, OH (US)

(72) Inventors: **James B. Rike**, Mooresville, IN (US);
Steven J. Tiede, Clearfield, UT (US);
Michael A. Pintz, Fairview Park, OH (US)

(73) Assignee: **WORTHINGTON INDUSTRIES, INC.**, Columbus, OH (US)

(**) Term: **15 Years**

(21) Appl. No.: **29/604,909**

(22) Filed: **May 22, 2017**

(51) **LOC (12) Cl.** **23-99**

(52) **U.S. Cl.**
USPC **D23/499**

(58) **Field of Classification Search**
USPC D23/499
See application file for complete search history.

(56) **References Cited**

U.S. PATENT DOCUMENTS

D455,193 S *	4/2002	Moulson	D23/200
7,270,209 B2 *	9/2007	Suess	B60K 15/03006
				180/69.5
7,543,667 B2 *	6/2009	Hwang	H01M 8/04201
				180/314
D816,010 S *	4/2018	Rike	D12/223
10,118,483 B2 *	11/2018	Milton	F17C 5/06

2010/0051567 A1 *	3/2010	Ross, Jr.	B60K 15/07
				211/85.18
2015/0096977 A1 *	4/2015	Sirosh	F02M 21/0221
				220/4.14
2016/0152379 A1 *	6/2016	Leonard	B60K 15/03177
				220/562
2017/0057348 A1 *	3/2017	Arold	B60K 15/07
2017/0334288 A1 *	11/2017	Rike	B60K 15/07

* cited by examiner

Primary Examiner — Kevin K Rudzinski

(74) *Attorney, Agent, or Firm* — Tucker Ellis LLP; Carlos Garritano

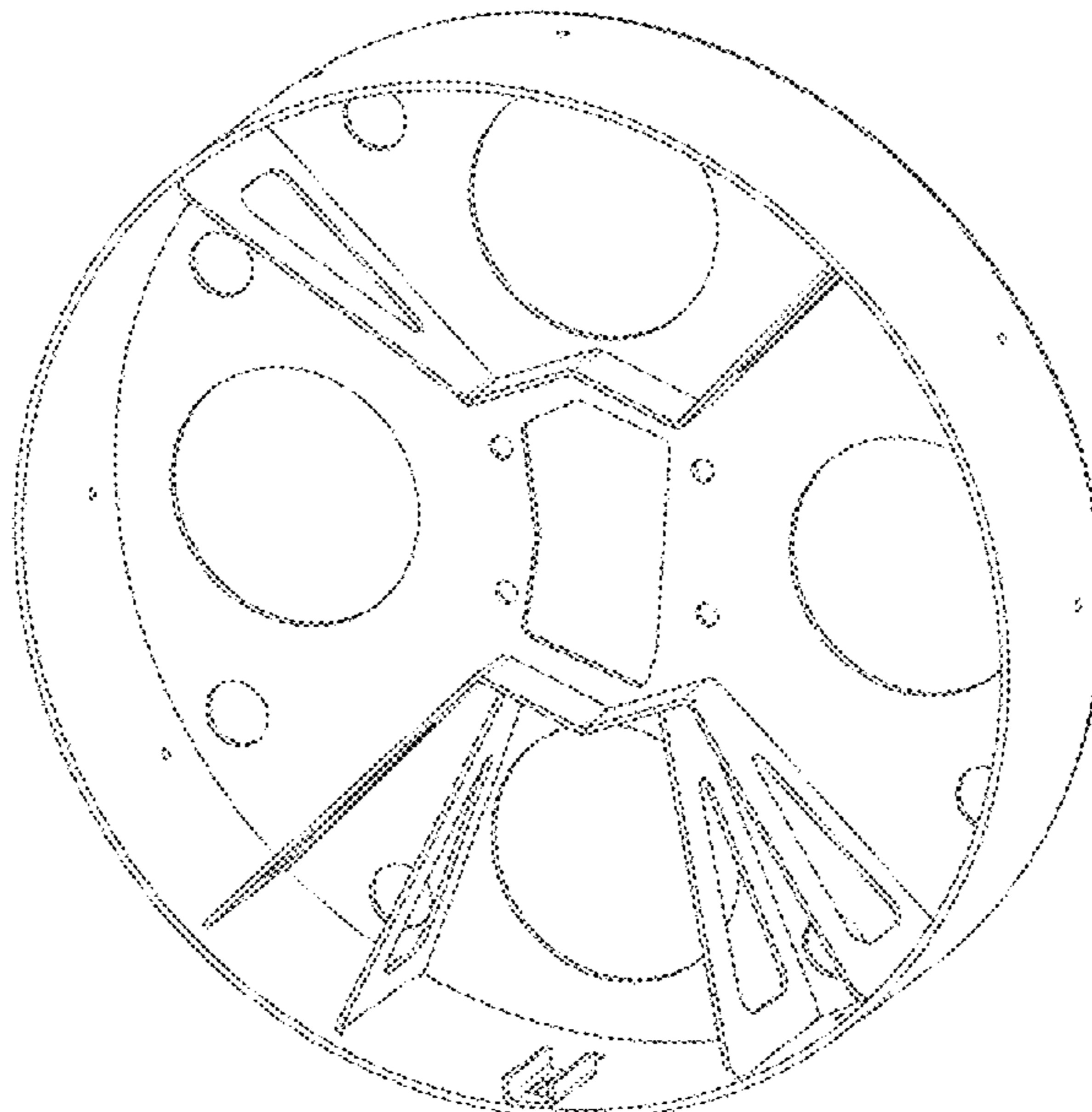
(57) **CLAIM**

The ornamental design for a plate for tank support system, as shown and described.

DESCRIPTION

FIG. 1 is a top right front perspective view of a plate for tank support system showing our new design;
 FIG. 2 is a top left front perspective view of the plate for tank support system illustrated in FIG. 1;
 FIG. 3 is a front view of the plate for tank support system illustrated in FIG. 1;
 FIG. 4 is a cross-sectional detail view of the plate for tank support system circumscribed by broken lines within FIG. 3; and,
 FIG. 5 is a rear view of the plate for tank support system illustrated in FIG. 1.
 The broken lines shown in the drawings illustrate portions of the plate for tank support system that form no part of the claimed design.

1 Claim, 5 Drawing Sheets



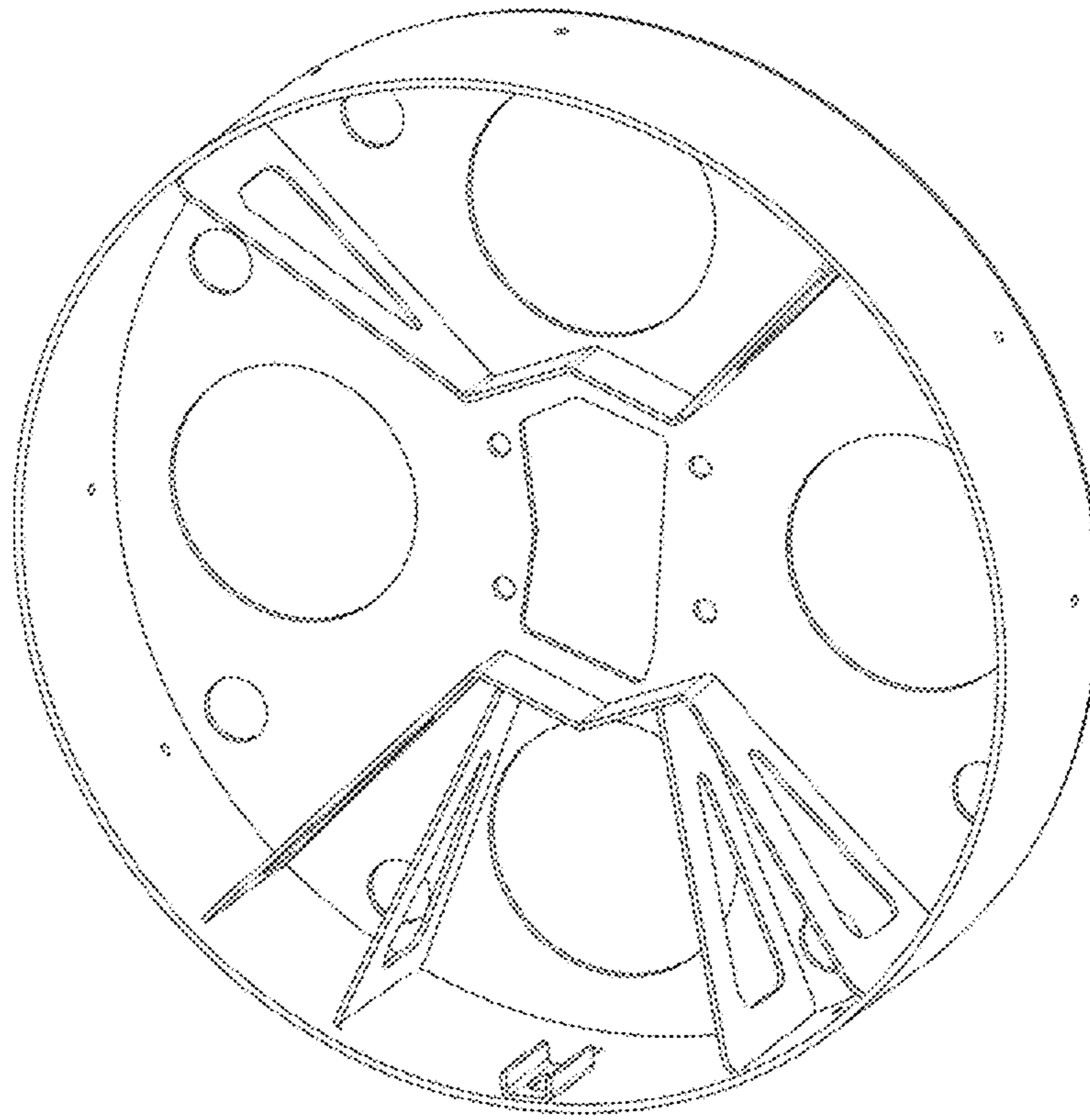


FIG. 1

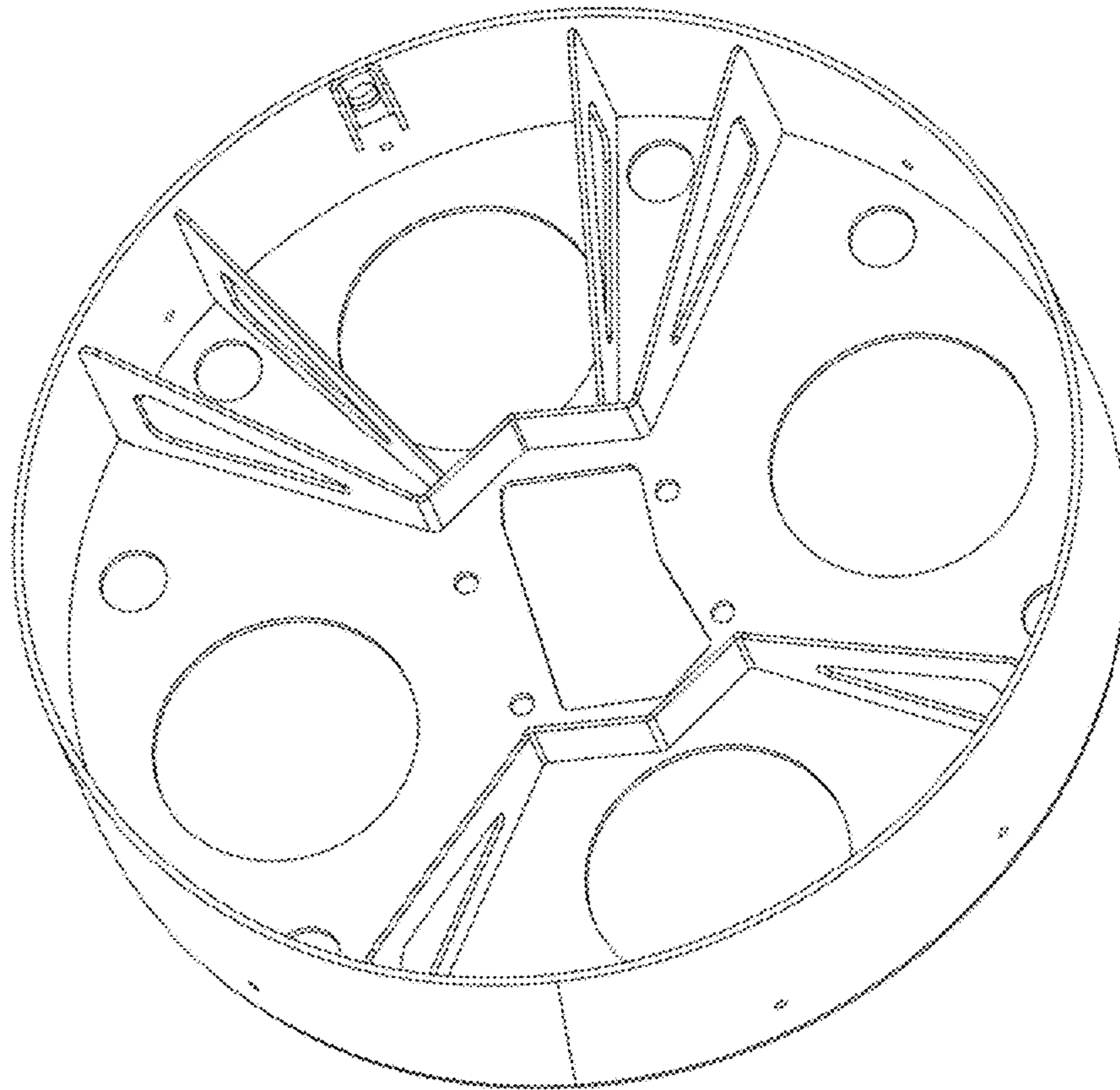


FIG. 2

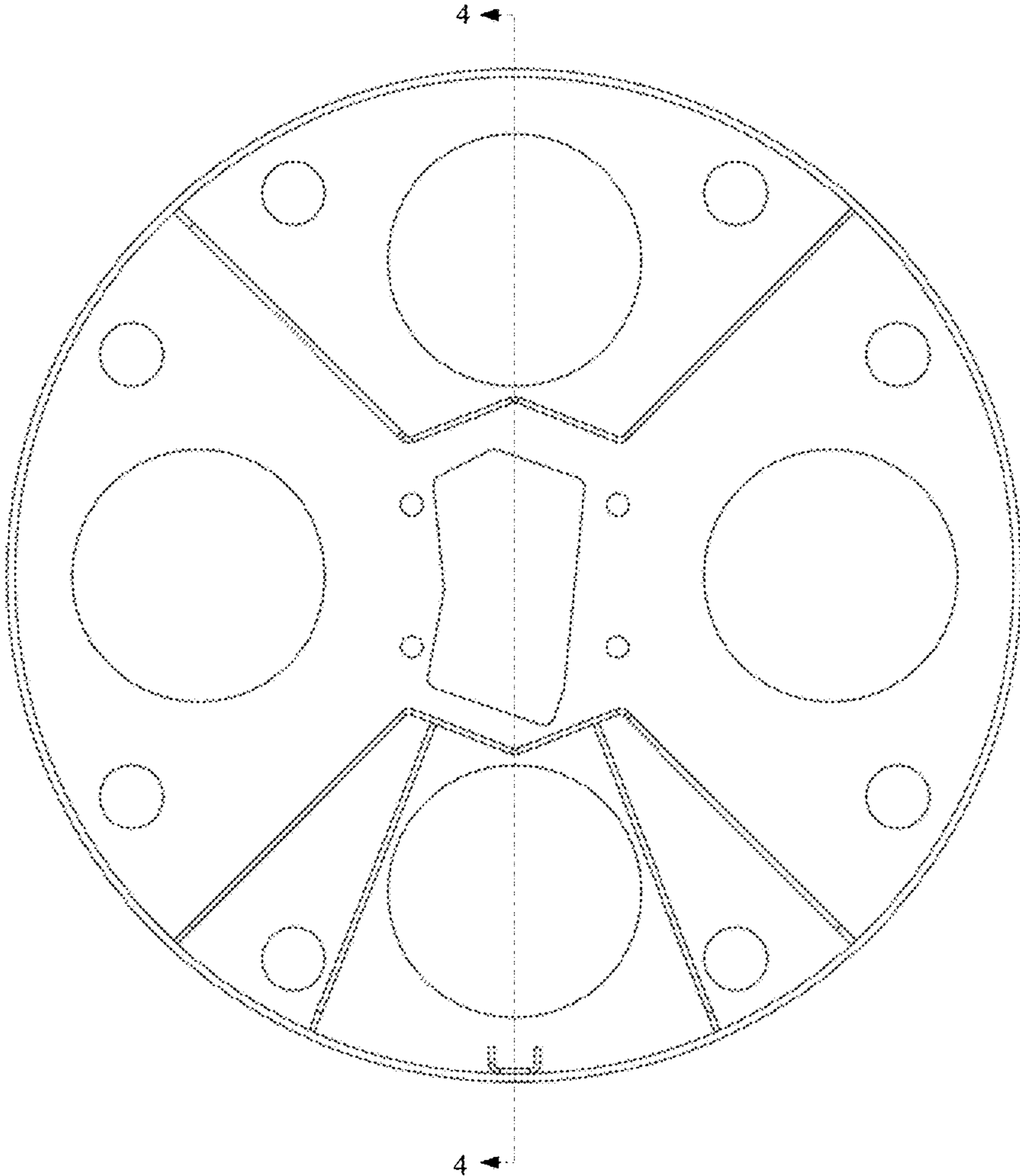


FIG. 3

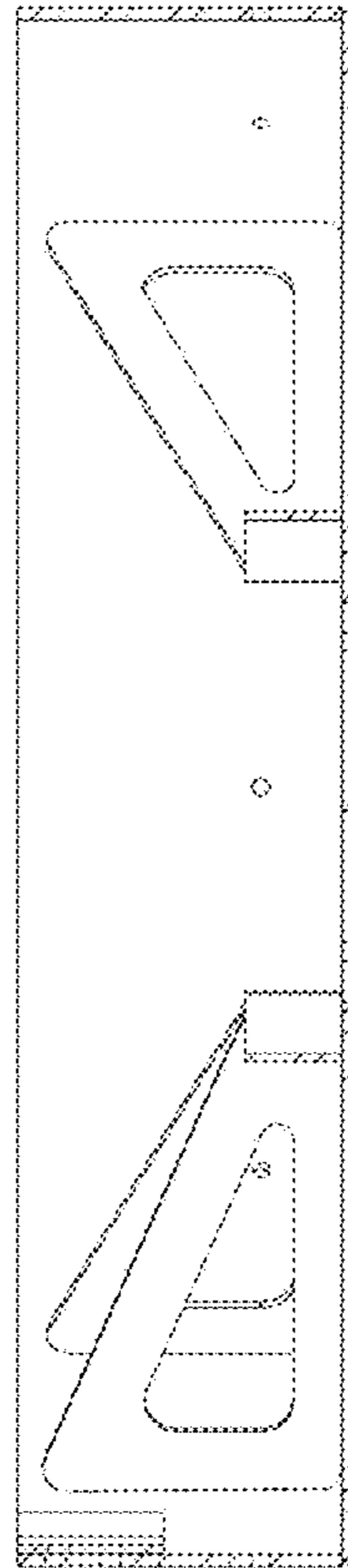


FIG. 4

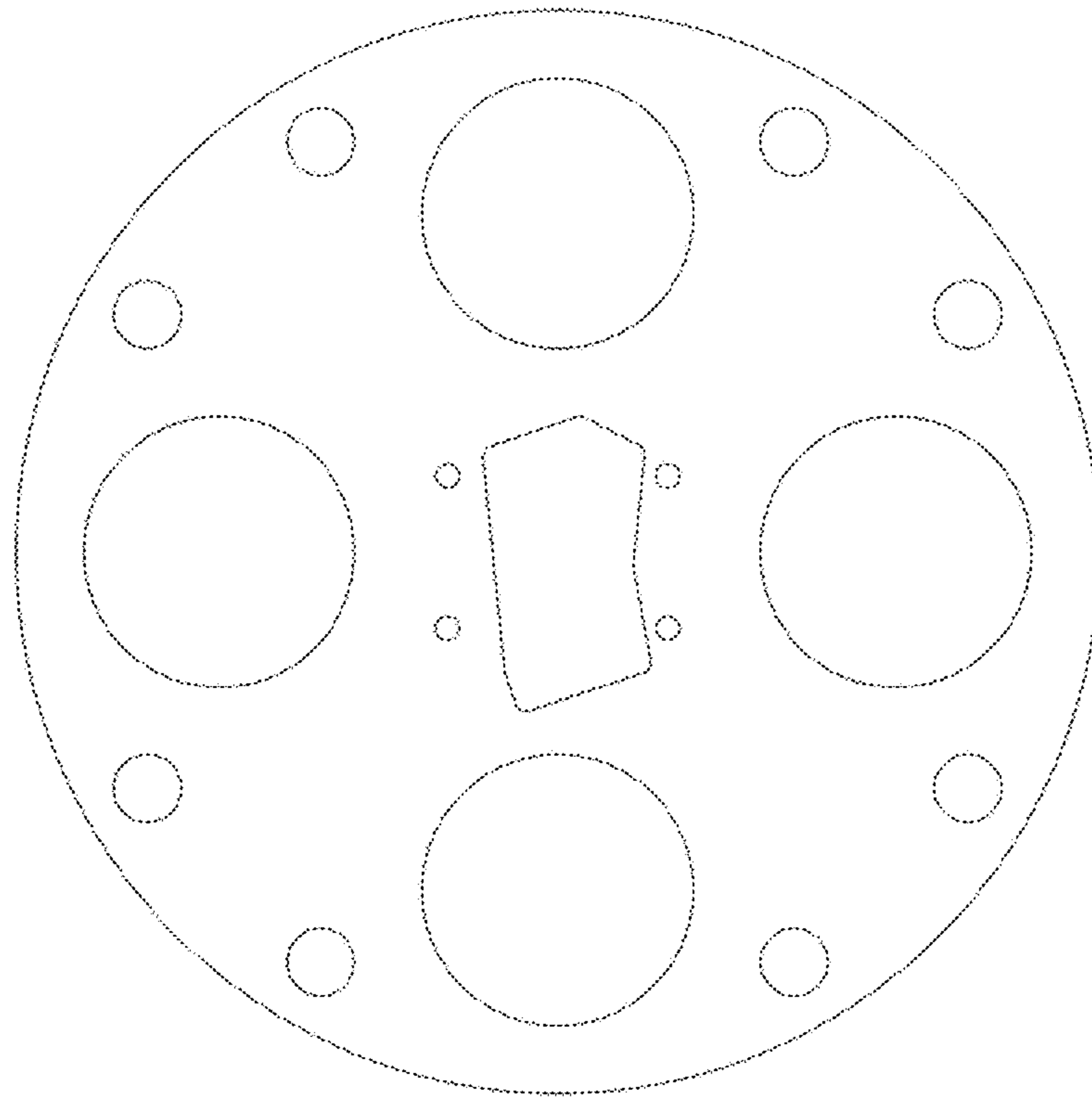


FIG. 5