



US00D858736S

(12) **United States Design Patent**
Lewis

(10) **Patent No.:** **US D858,736 S**
(45) **Date of Patent:** **** Sep. 3, 2019**

(54) **BODY FOR A PORTABLE AIR MOVING APPARATUS**

(71) Applicant: **Lasko Operation Holdings LLC**,
Wilmington, DE (US)

(72) Inventor: **William Lewis**, Exton, PA (US)

(73) Assignee: **Lasko Operation Holdings LLC**,
Wilmington, DE (US)

(**) Term: **15 Years**

(21) Appl. No.: **29/642,100**

(22) Filed: **Mar. 27, 2018**

(51) **LOC (12) Cl.** **23-04**

(52) **U.S. Cl.**
USPC **D23/378; D23/332**

(58) **Field of Classification Search**
USPC D23/314, 317, 324, 328, 332–337, 342,
D23/351, 352, 355, 356, 359, 362, 364,
D23/370–376, 378, 379, 381–385,
D23/411–414, 366
CPC F04D 25/08; F04D 29/38; F04D 29/384;
F04D 29/386
See application file for complete search history.

(56) **References Cited**

U.S. PATENT DOCUMENTS

D506,249 S * 6/2005 Christianson D23/364
D531,300 S * 10/2006 Dooley D23/378
D543,612 S * 5/2007 Fok D23/336

D553,718 S * 10/2007 Shapiro D23/314
D567,344 S * 4/2008 Gao D23/317
D572,350 S * 7/2008 Shapiro D23/317
D572,351 S * 7/2008 Lewis D23/317
D595,395 S * 6/2009 Lewis D23/314
D716,425 S * 10/2014 Tai D23/314
D762,830 S * 8/2016 Lewis D23/332
D776,248 S * 1/2017 Lewis D23/370
D799,653 S * 10/2017 Jun D23/351
D804,007 S * 11/2017 Cartwright D23/378
D814,000 S * 3/2018 Qiao D23/333
2004/0197091 A1* 10/2004 Orr F24H 3/0417
392/365

* cited by examiner

Primary Examiner — Cathron C Brooks
Assistant Examiner — Sharon S Oum

(57) **CLAIM**

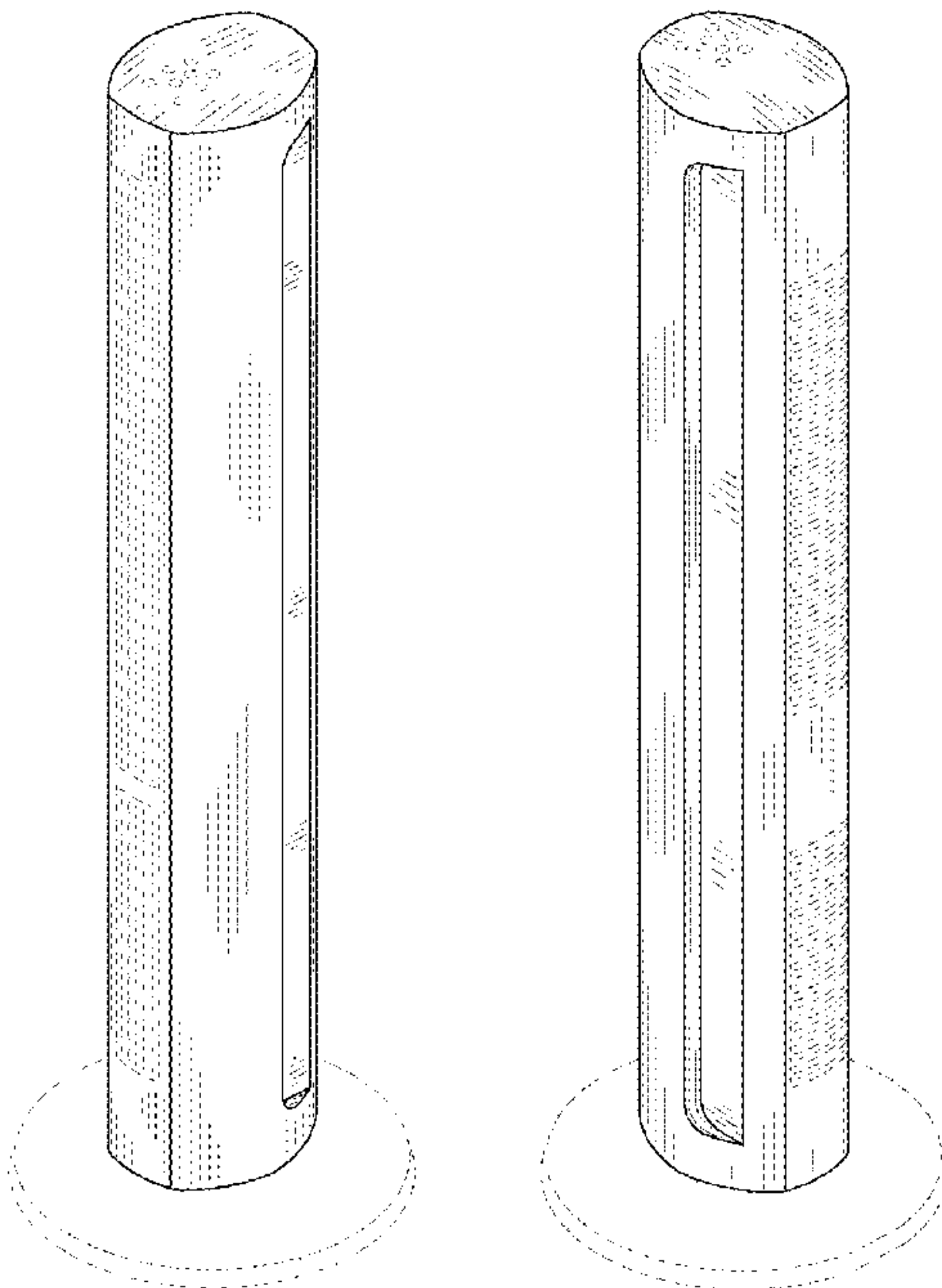
The ornamental design for a body for a portable air moving apparatus, as shown and described.

DESCRIPTION

FIG. 1 is a right side front perspective view of a body for a portable air moving apparatus showing my new design; FIG. 2 is a right side rear perspective view thereof; FIG. 3 is a front elevation view thereof; FIG. 4 is a right side elevation view thereof; FIG. 5 is a left side elevation view thereof; FIG. 6 is a rear elevation view thereof; and, FIG. 7 is a top plan view thereof.

The broken lines illustrate portions and environmental structure of the body for a portable air moving apparatus and form no part of the claimed design.

1 Claim, 7 Drawing Sheets



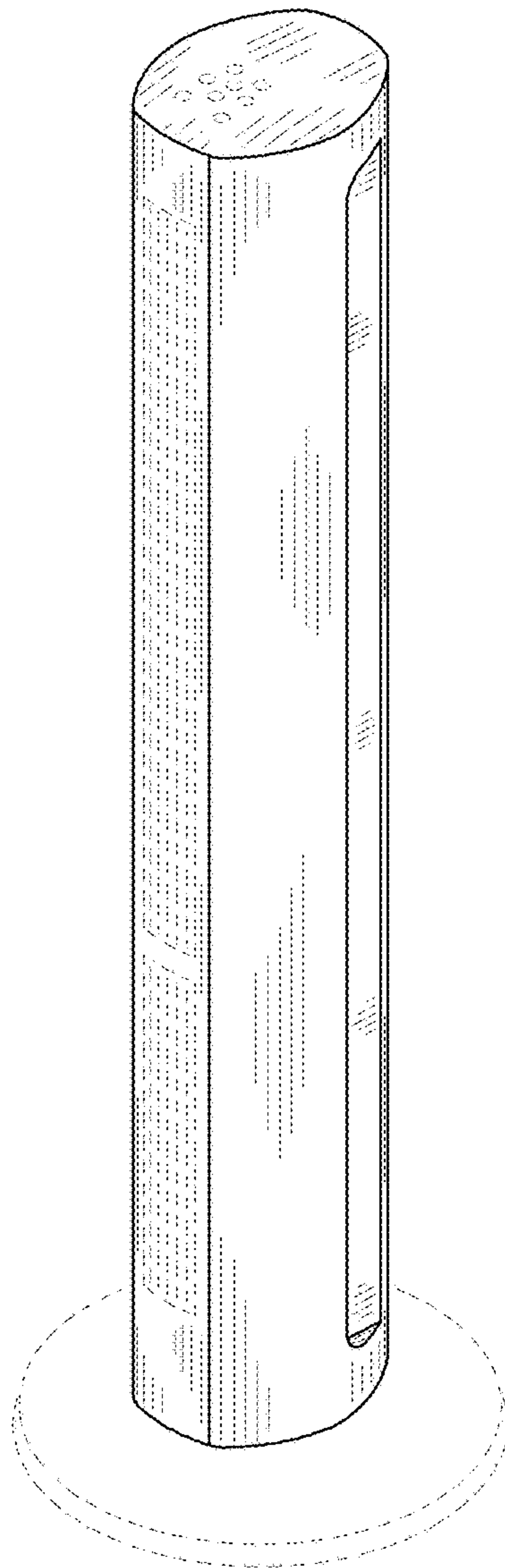


FIG. 1

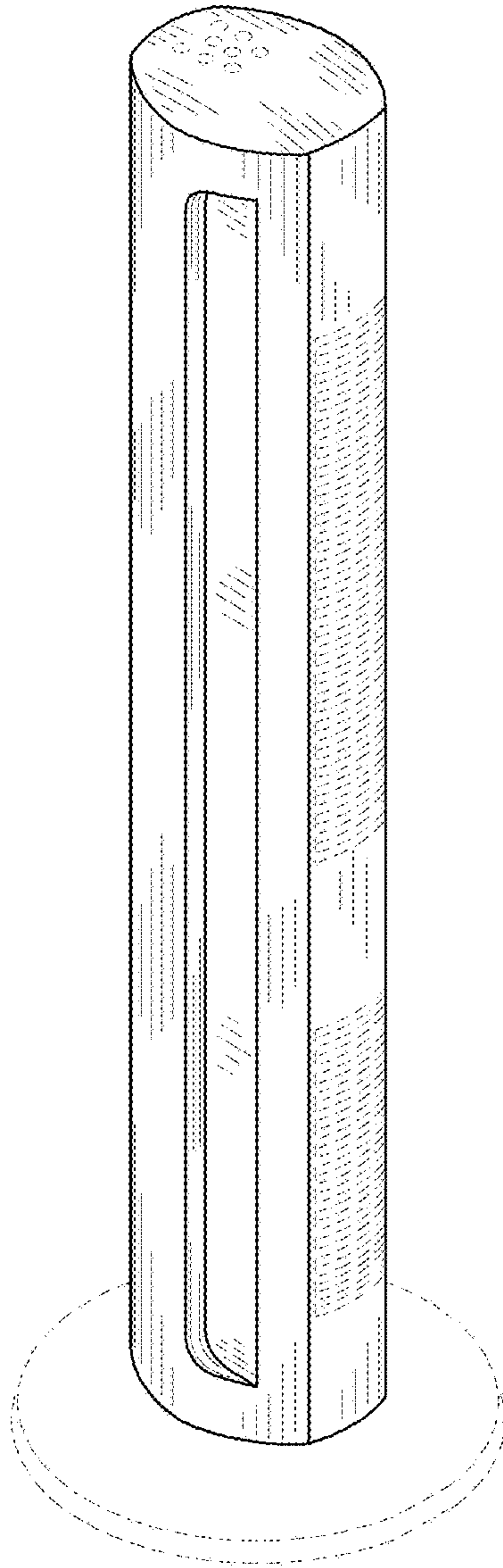


FIG. 2

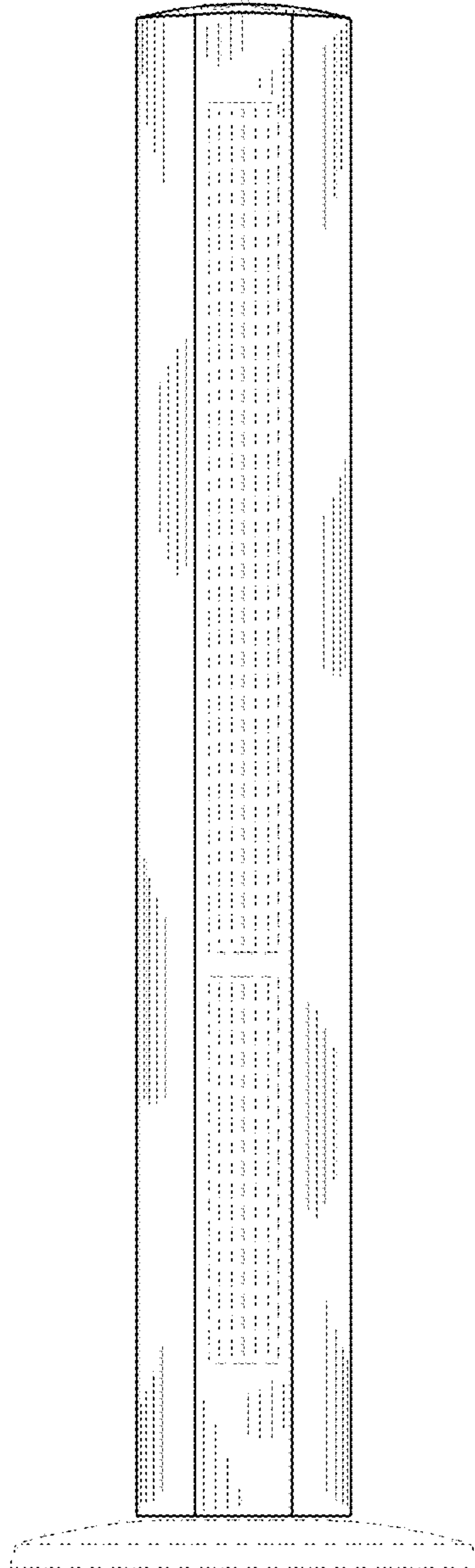


FIG. 3

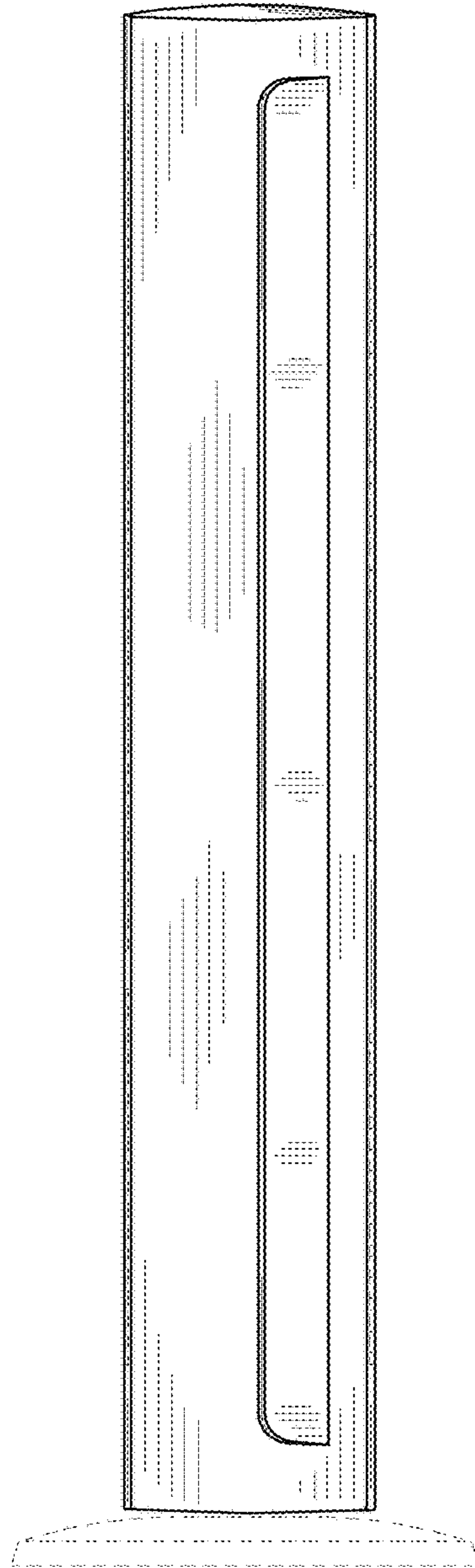


FIG. 4

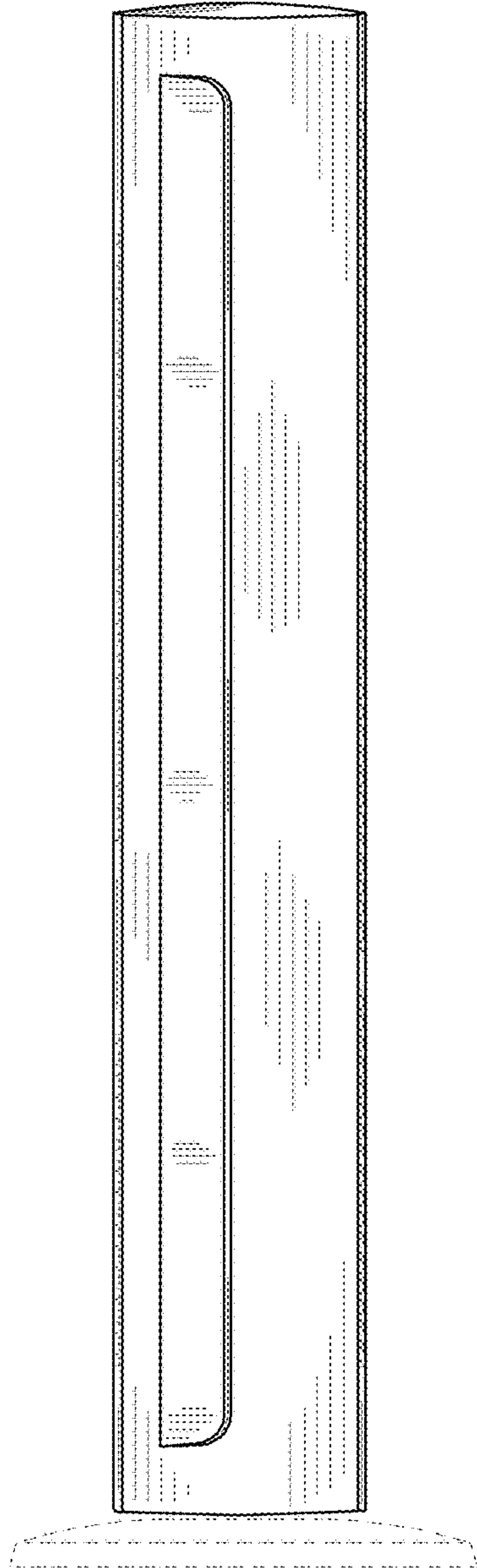


FIG. 5

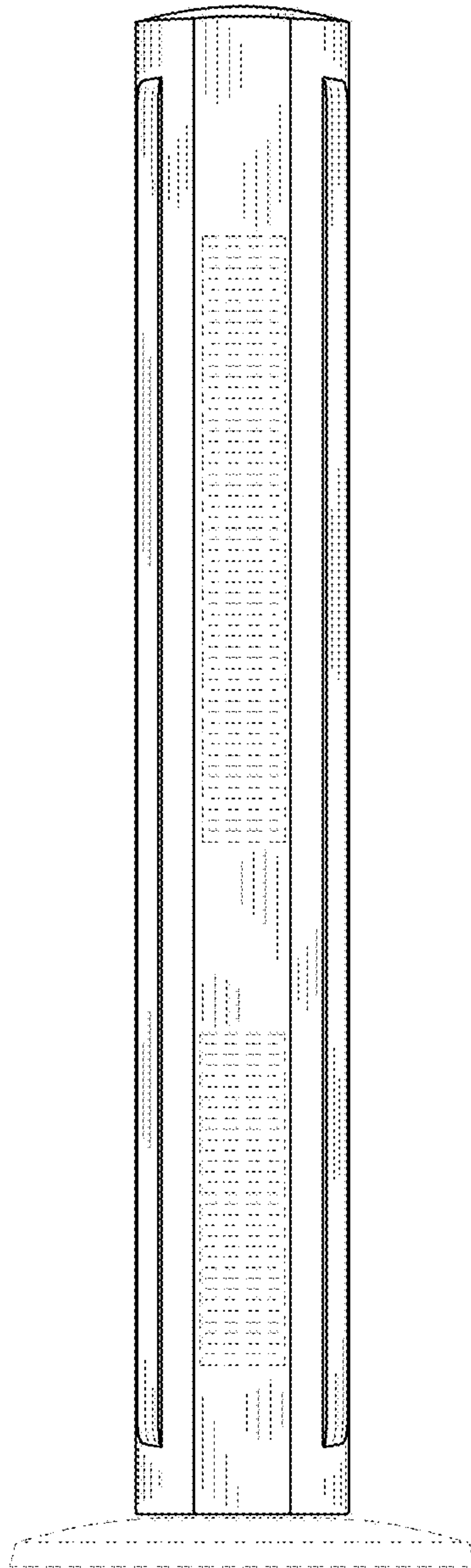


FIG. 6

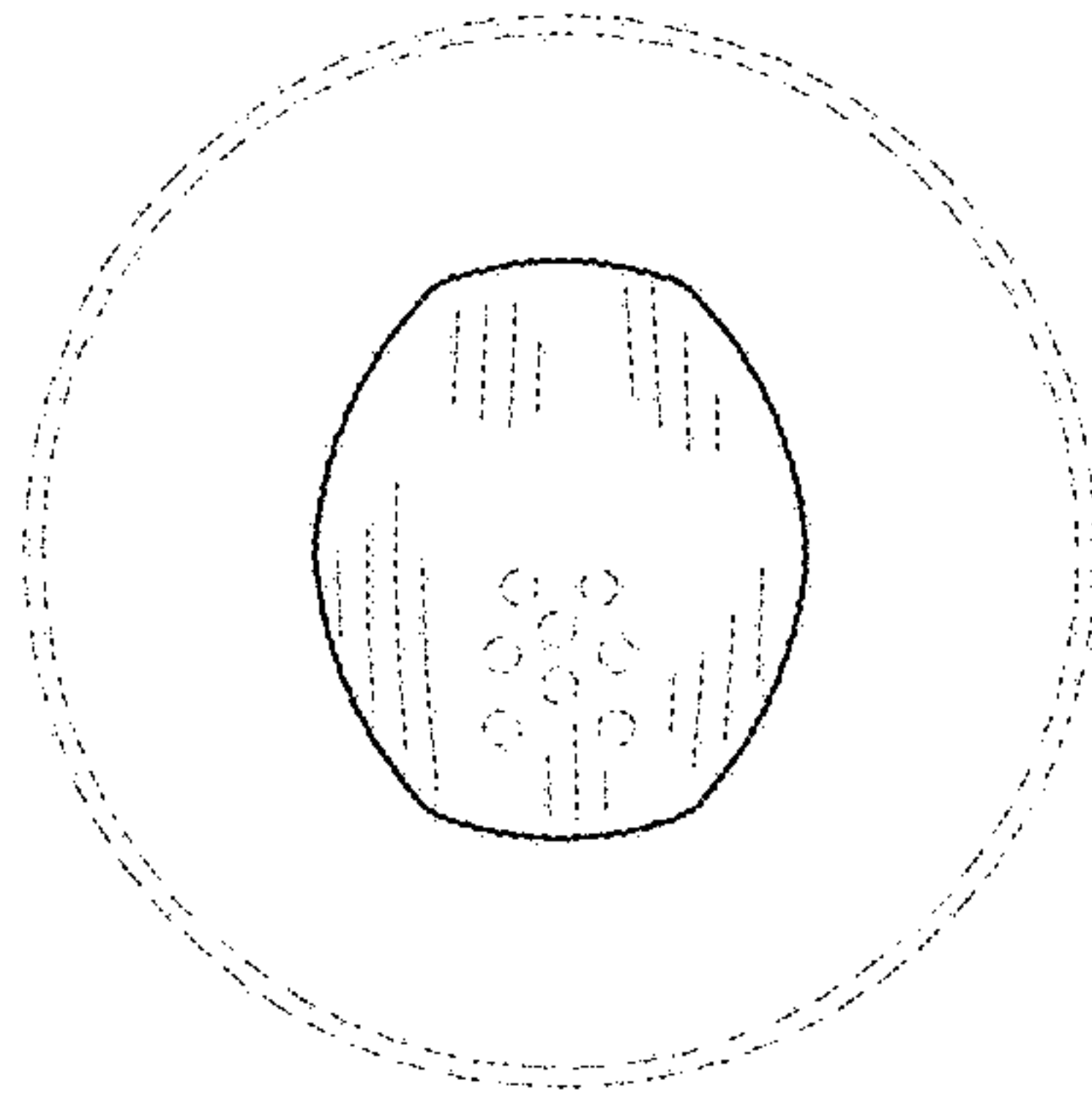


FIG. 7