



US00D858735S

(12) **United States Design Patent** (10) **Patent No.:** **US D858,735 S**
Wang (45) **Date of Patent:** **** Sep. 3, 2019**

(54) **CEILING FAN**
(71) Applicant: **YOUNGO LIMITED**, Hong Kong (CN)
(72) Inventor: **Cliff Wang**, Taichung (TW)
(73) Assignee: **YOUNGO LIMITED** (CN)
(**) Term: **15 Years**
(21) Appl. No.: **29/631,259**
(22) Filed: **Dec. 28, 2017**
(51) **LOC (12) Cl.** **23-04**
(52) **U.S. Cl.**
USPC **D23/377**
(58) **Field of Classification Search**
USPC D23/370–385, 411–414; D26/59, 85, 86,
D26/89, 90
CPC F04D 25/088; F04D 29/38; F04D 29/384;
F04D 29/386; F21V 33/0096
See application file for complete search history.

(56) **References Cited**
U.S. PATENT DOCUMENTS
D253,854 S * 1/1980 Strignano D26/63
D297,974 S * 10/1988 Sonneman D23/377
D328,491 S * 8/1992 Markwardt D23/377
D328,785 S * 8/1992 Markwardt D23/377
D344,129 S * 2/1994 Markwardt D23/377
D607,600 S * 1/2010 Keith D26/104
D627,874 S * 11/2010 Pan D23/411
D628,688 S * 12/2010 Pan D23/377
D638,926 S * 5/2011 Frampton D23/411
D741,988 S * 10/2015 Pan D23/377
D744,634 S * 12/2015 Wang D23/411
D745,956 S * 12/2015 Ertze D23/385
D771,794 S * 11/2016 Wang D23/411

D782,644 S * 3/2017 Wang D23/377
D788,286 S * 5/2017 Busta D23/411
D795,413 S * 8/2017 Wang D23/377
D799,661 S * 10/2017 Holmes D23/377
D799,665 S * 10/2017 Wang D23/377
D800,291 S * 10/2017 Wang D23/377
D801,514 S * 10/2017 Wang D23/411
D802,513 S * 11/2017 Xiao D12/214
D809,118 S * 1/2018 Guthrie D23/377
D834,696 S * 11/2018 Schulzman D23/377
D842,447 S * 3/2019 Horng D23/377
2012/0313553 A1* 12/2012 Ko F04D 25/088
315/362
2018/0128276 A1* 5/2018 Li F04D 25/06

* cited by examiner

Primary Examiner — Cathron C Brooks
Assistant Examiner — Sharon S Oum
(74) *Attorney, Agent, or Firm* — Pai Patent & Trademark Law Firm; Chao-Chang David Pai

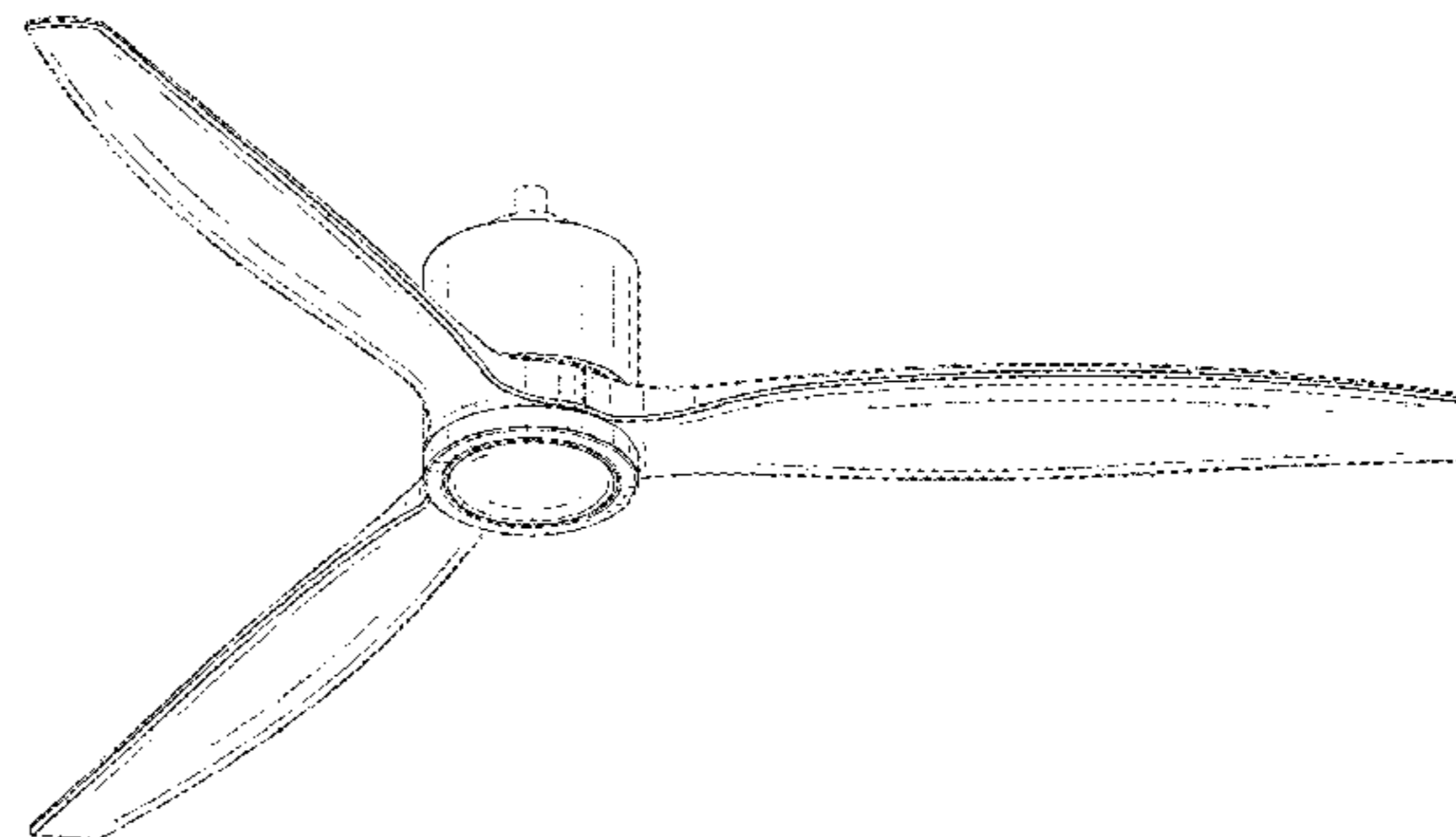
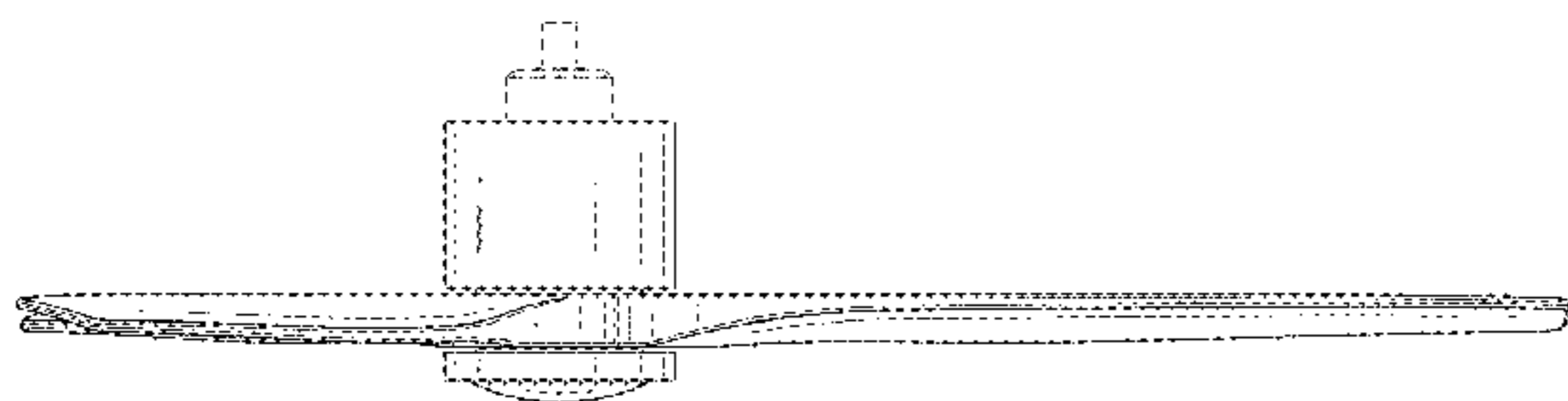
(57) **CLAIM**

The ornamental design for a ceiling fan, as shown and described.

DESCRIPTION

FIG. 1 is a front top perspective view of a ceiling fan showing my new design;
FIG. 2 is a front elevational view thereof;
FIG. 3 is a rear elevational view thereof;
FIG. 4 is a left side elevational view thereof;
FIG. 5 is a right side elevational view thereof;
FIG. 6 is a top plan view thereof;
FIG. 7 is a bottom plan view thereof; and,
FIG. 8 is a front bottom perspective view thereof.
The broken lines are for the purpose of illustrating environmental structure and form no part of the claimed design.

1 Claim, 6 Drawing Sheets



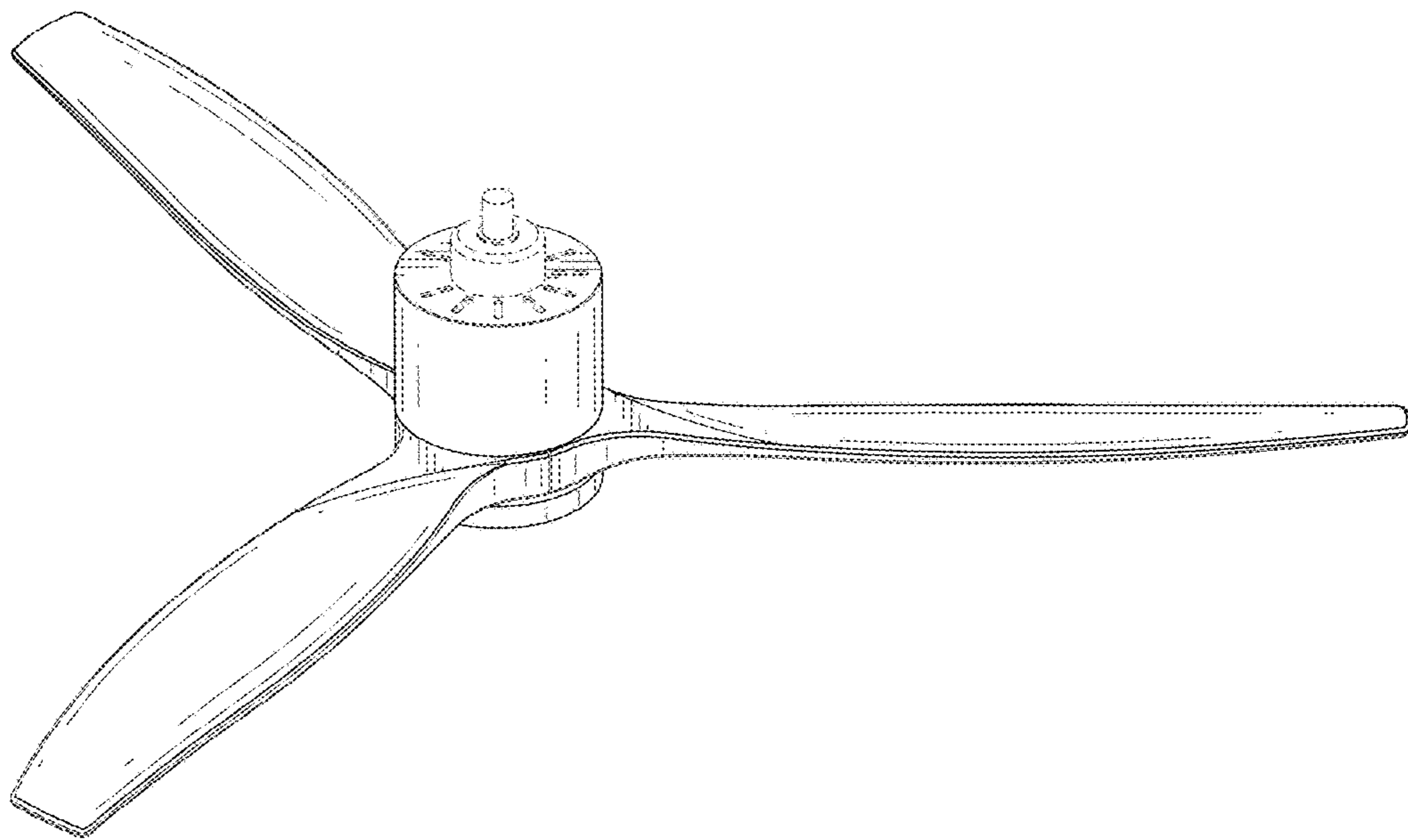


FIG. 1

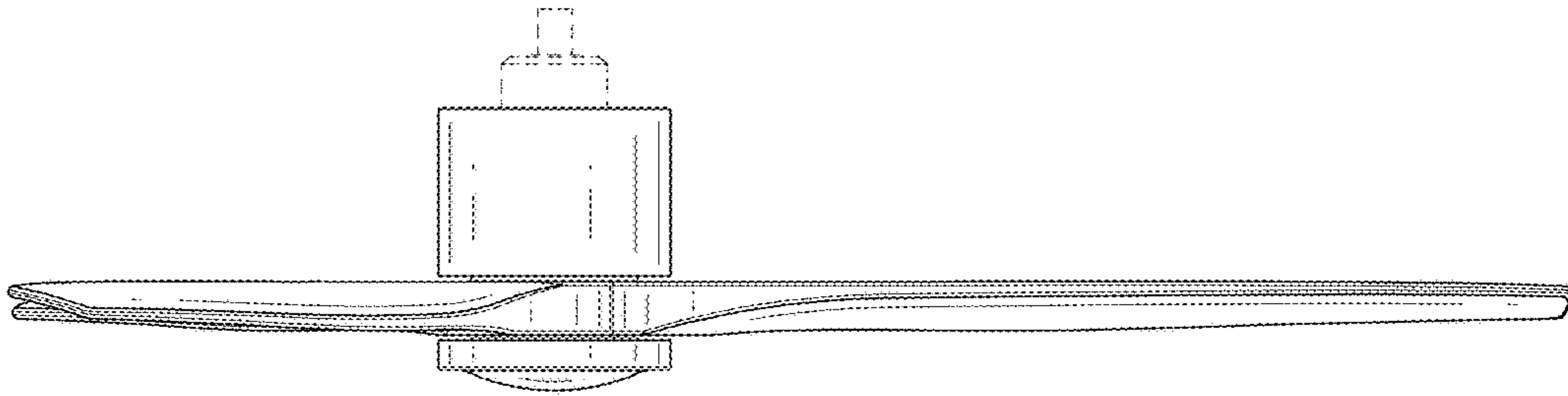


FIG. 2

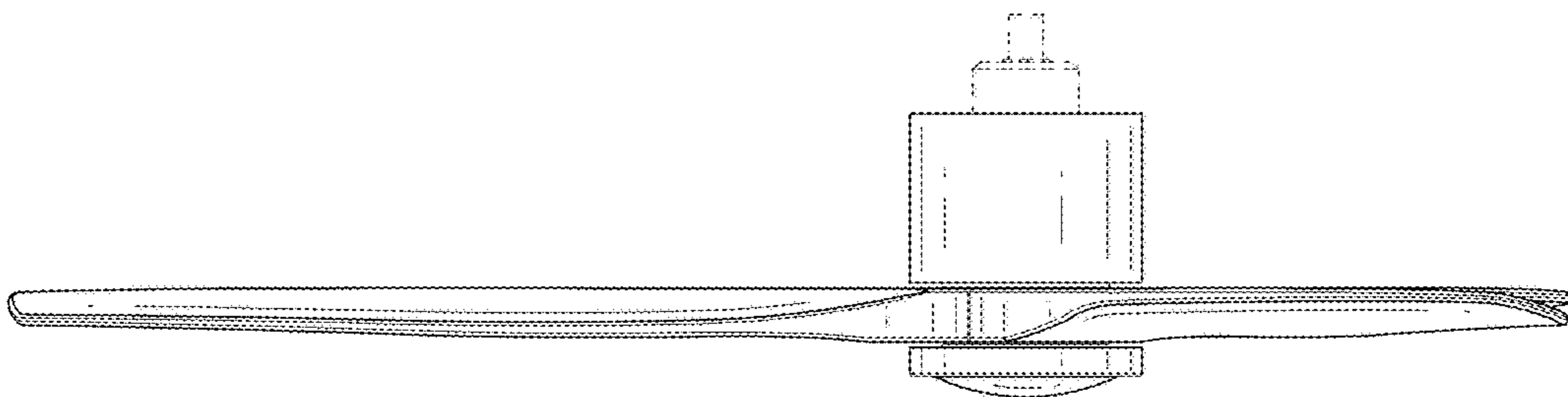


FIG. 3

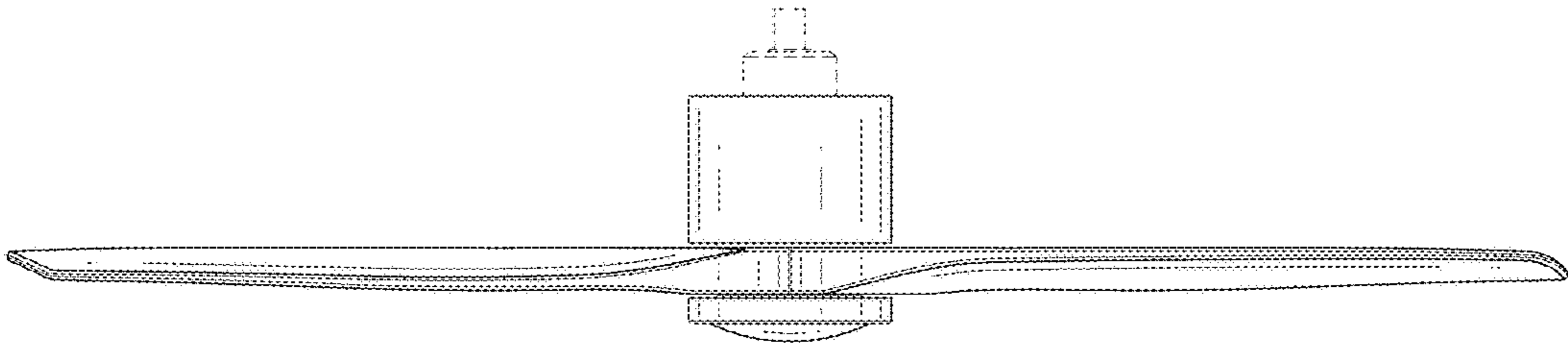


FIG. 4

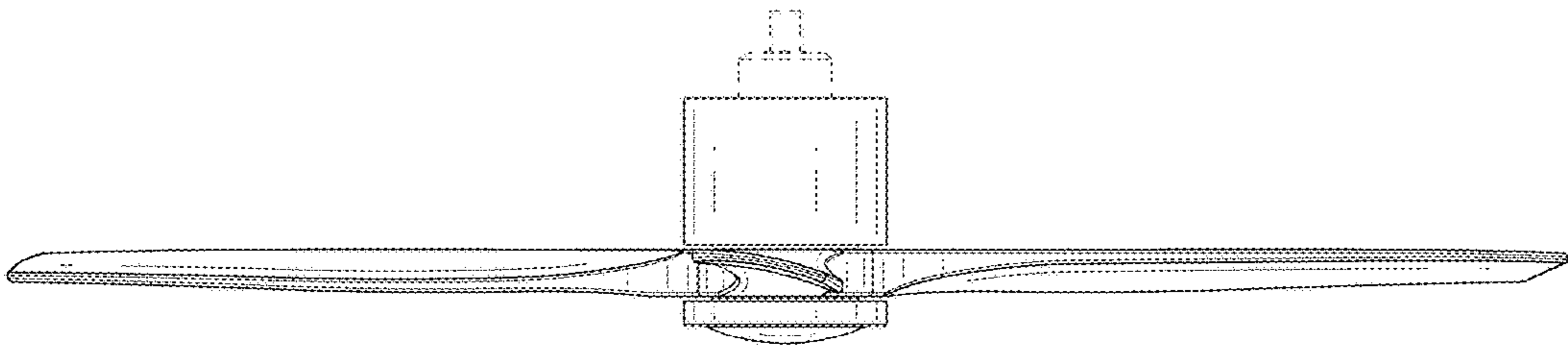


FIG. 5

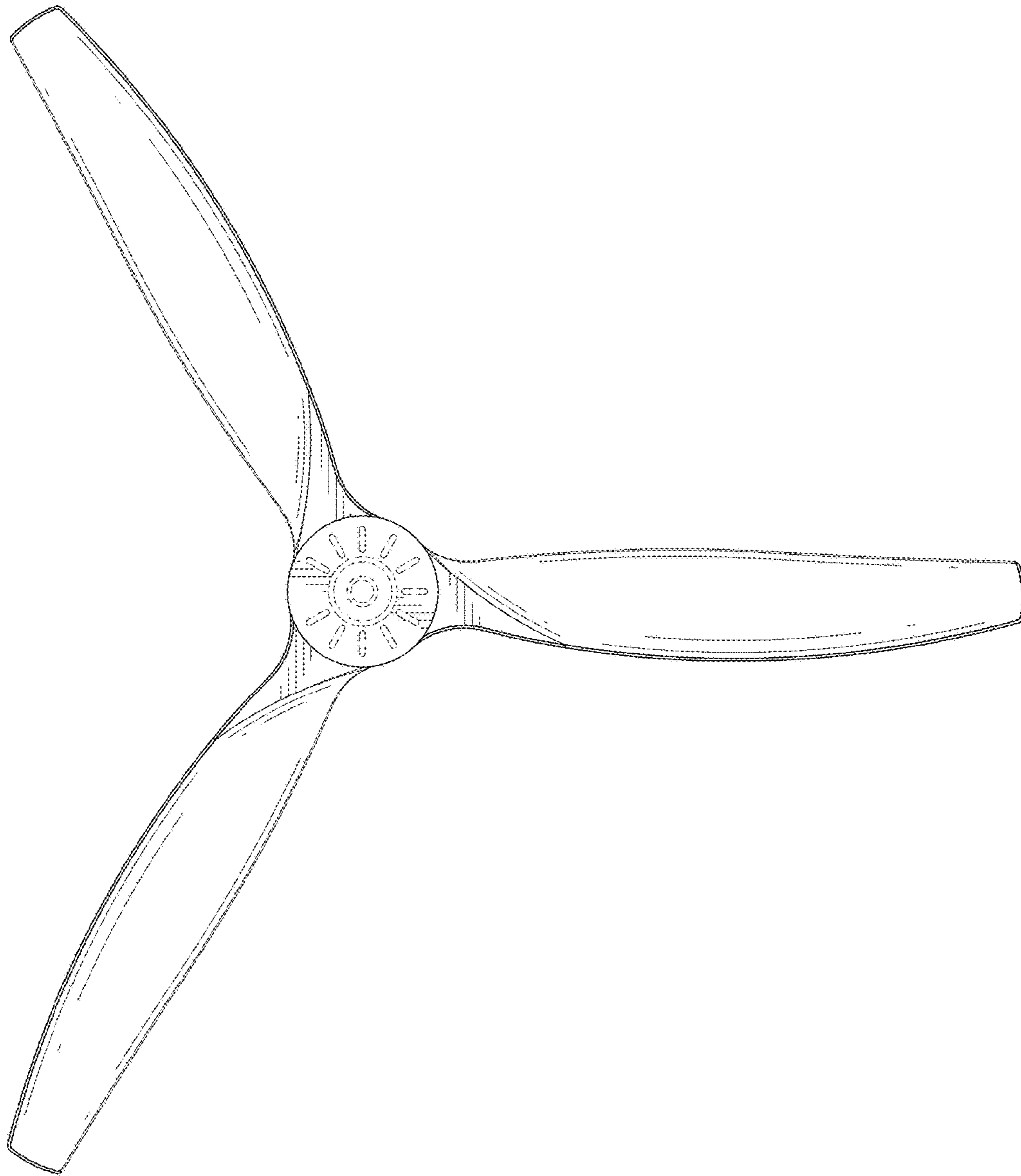


FIG. 6

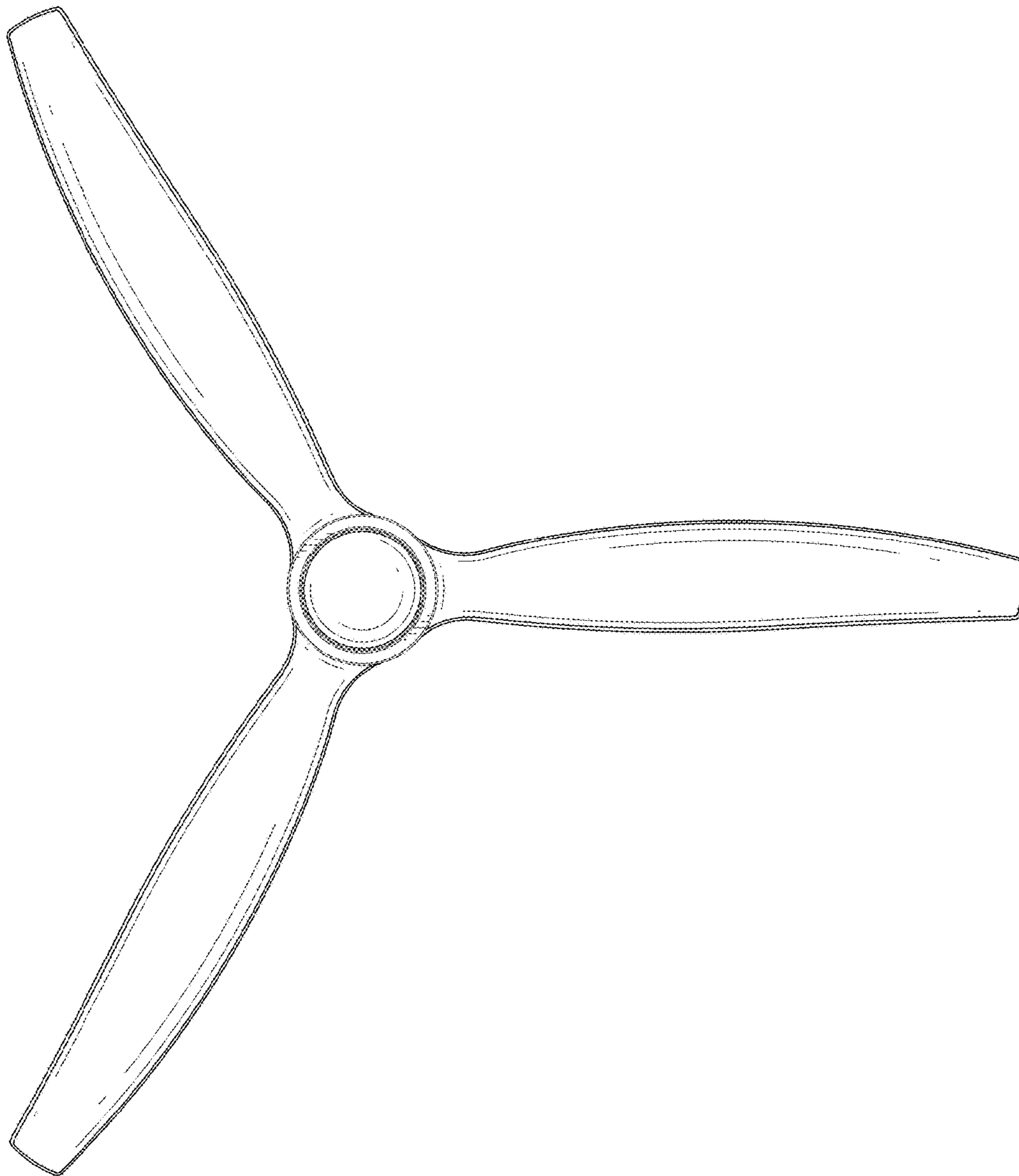


FIG. 7

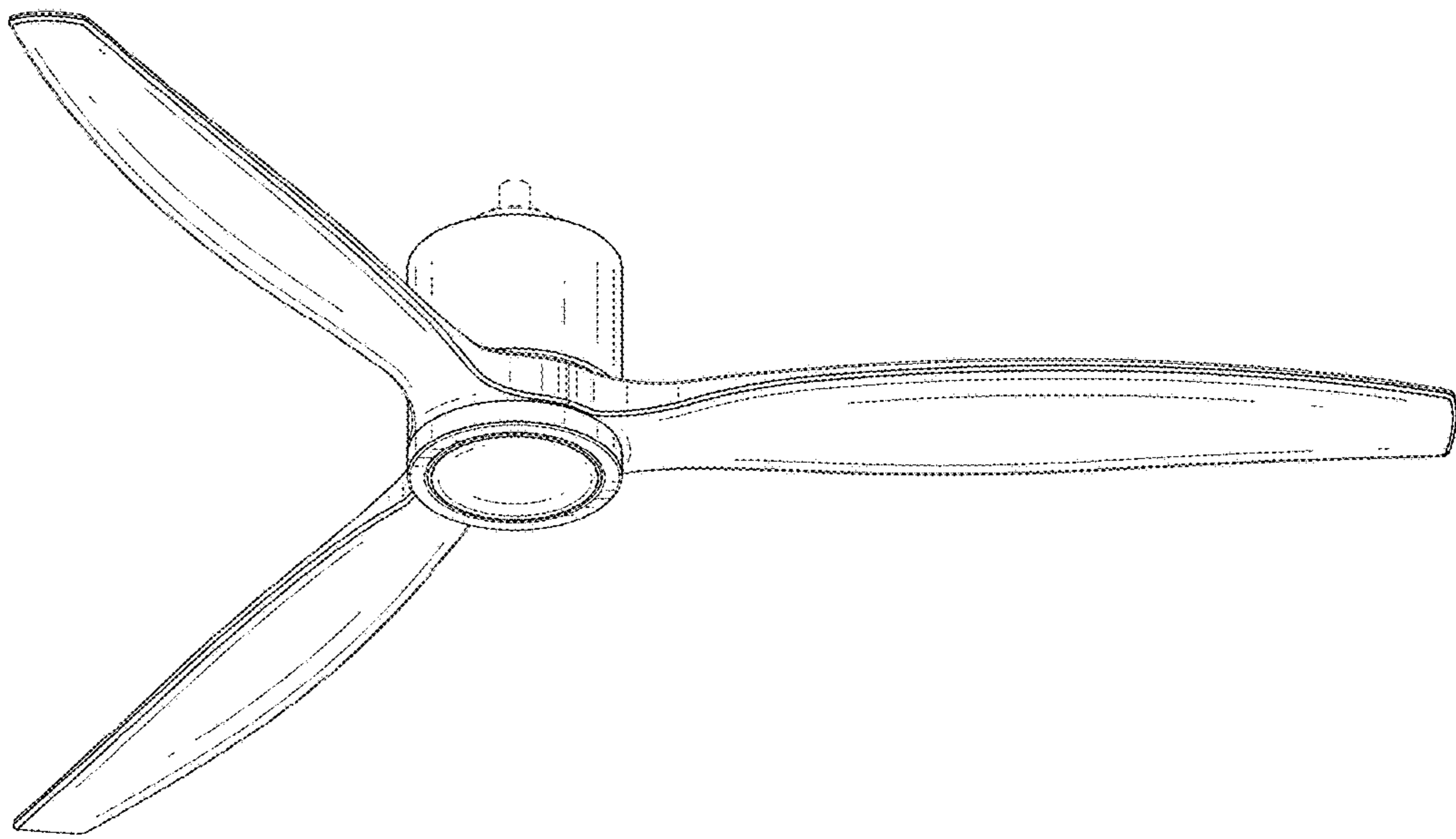


FIG. 8