



US00D858734S

(12) **United States Design Patent**  
**Puffer et al.**

(10) **Patent No.:** **US D858,734 S**  
(45) **Date of Patent:** **\*\* Sep. 3, 2019**

(54) **VENT HOOD**

(71) Applicant: **Broan-NuTone LLC**, Hartford, WI  
(US)

(72) Inventors: **Benjamin Thorpe Puffer**, Hartford, WI  
(US); **Alan David Bengtson**, Winston  
Salem, NC (US)

(73) Assignee: **Broan-NuTone LLC**, Hartford, WI  
(US)

(\*\*) Term: **15 Years**

(21) Appl. No.: **29/551,873**

(22) Filed: **Jan. 18, 2016**

**Related U.S. Application Data**

(63) Continuation-in-part of application No. 29/527,415,  
filed on May 19, 2015, now abandoned.

(51) **LOC (12) Cl.** ..... **23-04**

(52) **U.S. Cl.**  
USPC ..... **D23/372**

(58) **Field of Classification Search**  
USPC ..... D23/370, 371, 372, 411  
CPC ... F24C 15/2042; F24C 15/2035; F24C 15/20  
See application file for complete search history.

(56) **References Cited**

**U.S. PATENT DOCUMENTS**

1,030,028	A	6/1912	Stampaher et al.
1,395,833	A	11/1921	Kling et al.
1,532,635	A	4/1925	Osbn
1,713,101	A	5/1929	Starrett
1,886,841	A	11/1932	Searles
1,895,642	A	1/1933	Livingston
1,941,450	A	1/1934	Sylvan
2,019,867	A	11/1935	Nelson
2,021,086	A	11/1935	Oskamp
D107,399	S	12/1937	Broadwin

2,108,283	A	2/1938	Drew et al.
D109,887	S	5/1938	Fordyce
2,182,690	A	12/1939	Cole
D118,359	S	1/1940	Arenberg
D120,266	S	4/1940	Kurth et al.

(Continued)

**FOREIGN PATENT DOCUMENTS**

BE	648597	6/1944
CA	108550	1/2006

(Continued)

**OTHER PUBLICATIONS**

NuTone/Sterling Lighting Catalog NS103, Copyright 1980, p. 57,  
Downlight #87, and p. 81, Recessed Square Light.

(Continued)

*Primary Examiner* — Janice Hallmark

(74) *Attorney, Agent, or Firm* — Barnes & Thornburg  
LLP

(57) **CLAIM**

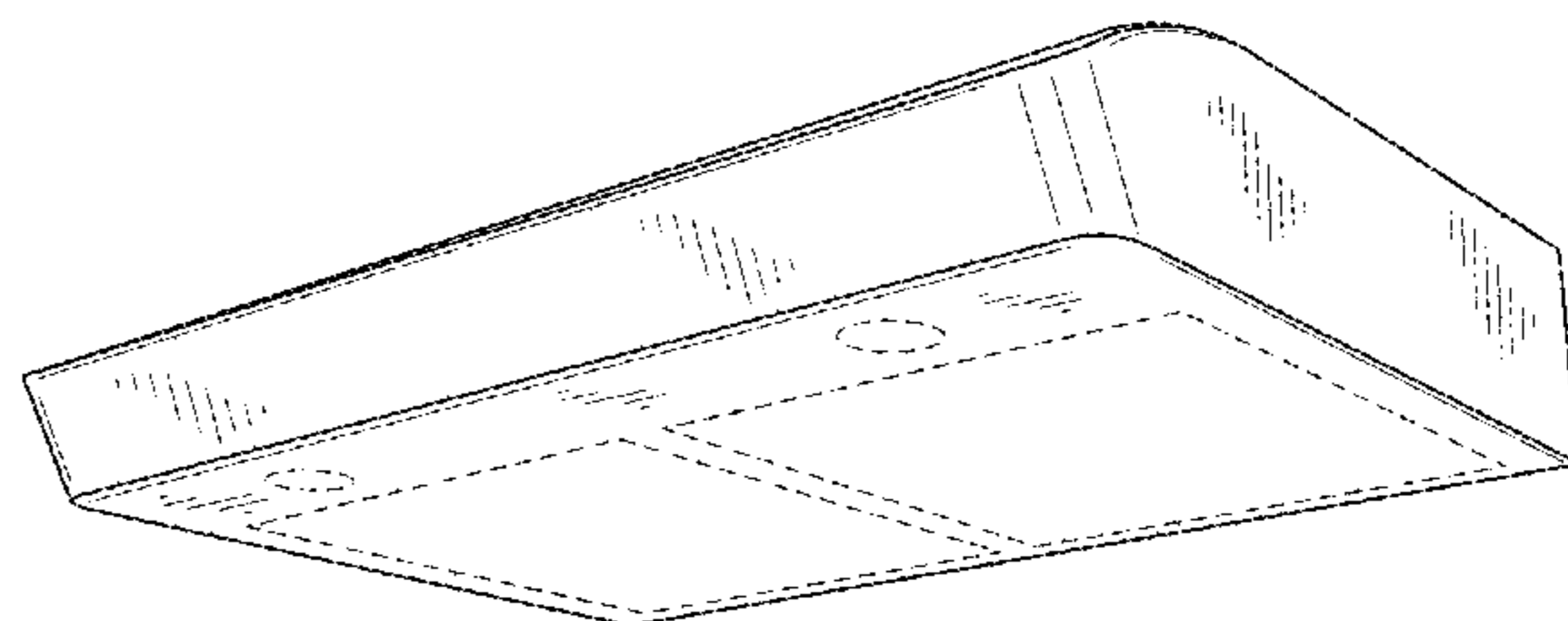
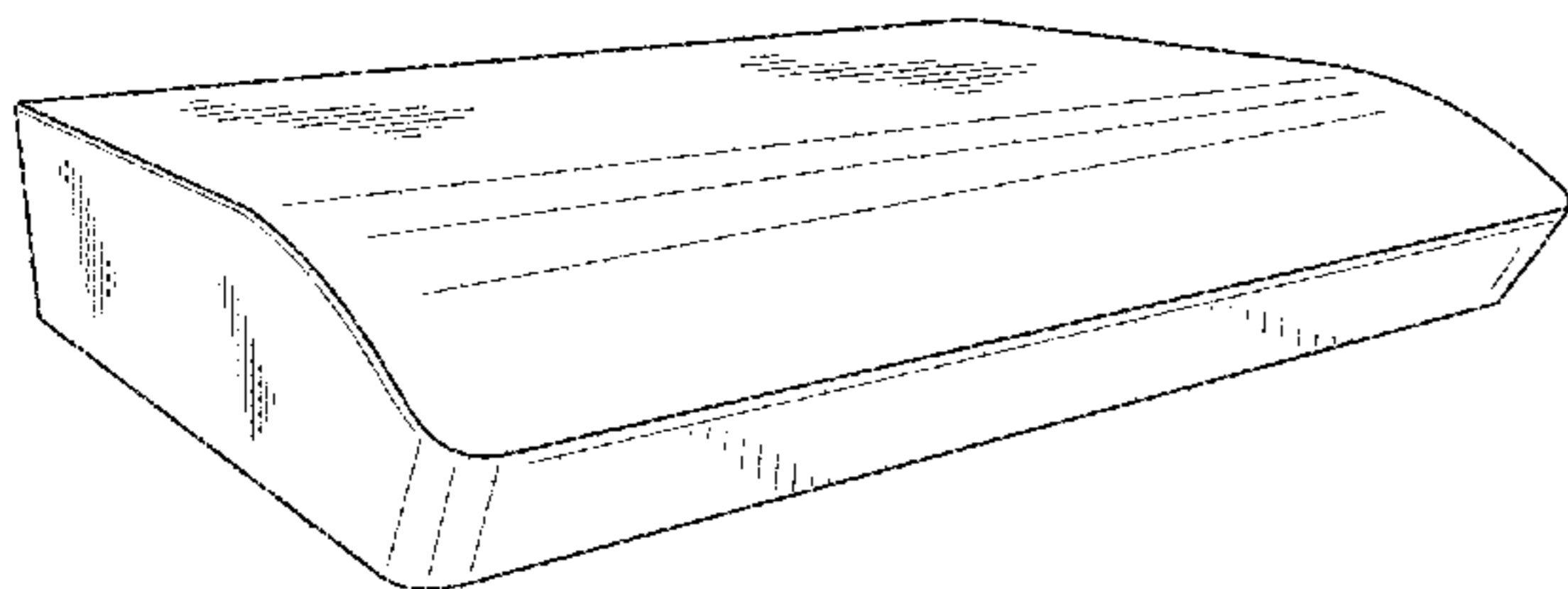
The ornamental design for a vent hood, as shown and  
described.

**DESCRIPTION**

FIG. 1 is a top perspective view of a vent hood showing our  
new design;  
FIG. 2 is a bottom perspective view thereof;  
FIG. 3 is a top view thereof;  
FIG. 4 is a front view thereof;  
FIG. 5 is a bottom view thereof;  
FIG. 6 is a back view thereof;  
FIG. 7 is a left view thereof; and,  
FIG. 8 is a right view thereof.

The broken lines in the drawings depict environmental  
subject matter only and form no part of the claimed design.

**1 Claim, 8 Drawing Sheets**



(56)

References Cited

U.S. PATENT DOCUMENTS

D120,772 S	5/1940	Arenberg	3,785,271 A	1/1974	Joy
D120,773 S	5/1940	Arenberg	3,788,207 A	1/1974	Doherty, II
2,220,127 A	11/1940	Slayter	3,861,894 A	1/1975	Marsh
2,222,081 A	11/1940	Leigh	3,875,678 A	4/1975	Vits
D126,128 S	3/1941	Hallman	3,926,537 A	12/1975	Piper
2,240,617 A	5/1941	Harrigan	3,952,638 A	4/1976	Felter et al.
2,278,581 A	4/1942	Dexter	D244,764 S	6/1977	Grubauer
D132,865 S	6/1942	Drollinger	D244,854 S	6/1977	Salamone
2,325,657 A	8/1943	Burkness	4,073,597 A	2/1978	Barnhart et al.
D153,313 S	4/1949	Phillips	4,115,082 A	9/1978	Newell et al.
2,472,748 A	6/1949	Labus	4,141,703 A	2/1979	Mulchi
2,483,377 A	9/1949	Young	4,203,332 A	5/1980	Corsetti
D157,014 S	1/1950	Walker	D256,047 S	7/1980	Wormington
2,576,860 A	11/1951	Shapiro	D257,060 S	9/1980	Mann
D165,982 S	2/1952	Kennedy	D258,083 S	1/1981	Gammell
D166,324 S	4/1952	Kurth	4,252,547 A	2/1981	Johnson
D171,505 S	2/1954	Kruger	D261,803 S	11/1981	Bohanon, Jr.
2,668,491 A	2/1954	Gerlitz	D262,457 S	12/1981	Swales
2,673,514 A	3/1954	Hanks	4,319,898 A	3/1982	Maierhofer
D173,120 S	9/1954	Levenhagen	4,335,647 A	6/1982	Timmons
2,689,906 A	9/1954	Corbett	4,336,749 A	6/1982	Barnhart et al.
2,697,163 A	12/1954	Spear	D267,828 S	2/1983	Cohen
2,710,573 A	6/1955	Marker	D268,952 S	5/1983	Anderson
2,780,981 A	2/1957	Miller	4,382,440 A	5/1983	Kapp et al.
2,790,375 A	4/1957	Broberg	4,385,550 A	5/1983	Steiner et al.
2,799,213 A	7/1957	Hansen	4,385,911 A	5/1983	Popeil et al.
2,800,069 A	7/1957	Smith	4,406,216 A	9/1983	Hott et al.
D180,727 S	8/1957	Bourner	D271,984 S	12/1983	Nelson et al.
2,811,094 A	10/1957	Auer	D275,988 S	10/1984	Walker
2,824,429 A	2/1958	Zucker	D276,282 S	11/1984	Burg
2,831,550 A	4/1958	Bub	D277,298 S	1/1985	Nelson
D183,117 S	7/1958	Coleman et al.	D277,299 S	1/1985	Nelson
2,875,678 A	3/1959	Shepherd	4,510,851 A	4/1985	Samosky et al.
2,911,900 A	11/1959	Emil	D282,275 S	1/1986	Price
2,939,377 A	6/1960	Stach	D282,972 S	3/1986	Castor et al.
2,963,956 A	12/1960	Hill	4,594,940 A	6/1986	Wolbrink et al.
2,987,258 A	6/1961	North	4,610,705 A	9/1986	Samosky et al.
2,996,972 A	8/1961	Ake	D286,446 S	10/1986	Caroli et al.
3,001,056 A	9/1961	Spear	4,628,802 A	12/1986	Steiner et al.
3,002,676 A	10/1961	Papsdorf	D287,888 S	1/1987	Caroli et al.
D192,312 S	2/1962	Hart	D288,007 S	1/1987	Jonas et al.
3,028,475 A	4/1962	Nash	D288,396 S	2/1987	Ritman
3,045,579 A	7/1962	Jenn et al.	4,681,024 A	7/1987	Ivey
D193,868 S	10/1962	Bloomfield et al.	4,722,266 A	2/1988	Deckert
3,064,548 A	11/1962	Field	D295,675 S	5/1988	Demarest
3,068,341 A	12/1962	Ortiz et al.	4,754,697 A	7/1988	Asselbergs
3,075,335 A	1/1963	Bandlow et al.	4,776,798 A	10/1988	Crawford
3,097,287 A	7/1963	Knoll et al.	D300,777 S	4/1989	Bales et al.
3,101,662 A	8/1963	Alldritt	D300,847 S	4/1989	Lin
D196,618 S	10/1963	Hammes	4,862,334 A	8/1989	Ivey et al.
D199,045 S	9/1964	Everts	D303,436 S	9/1989	Clyde-Mason
3,211,080 A	10/1965	Rader	4,867,640 A	9/1989	Penlesky et al.
3,212,425 A	10/1965	Hazen et al.	4,991,496 A	2/1991	Kuno et al.
3,215,828 A	11/1965	Bonvallet et al.	D315,790 S	3/1991	Koessler
3,249,037 A	5/1966	Stalker	D322,667 S	12/1991	Fukuda et al.
3,250,063 A	5/1966	Andrews	D323,209 S	1/1992	Fukumoto et al.
3,276,597 A	10/1966	Mesek et al.	D323,554 S	1/1992	Hoyt
3,326,112 A	6/1967	Sadlow et al.	D325,434 S	4/1992	Dosmann
3,332,334 A	7/1967	Melzer	D325,651 S	4/1992	Sonneman
3,347,025 A	10/1967	Wiley	D328,650 S	8/1992	Jones
3,391,689 A	7/1968	Roger	D330,585 S	10/1992	Saito et al.
3,438,180 A	4/1969	Klouda	D331,458 S	12/1992	Saito et al.
3,460,322 A	8/1969	Rivers et al.	D331,638 S	12/1992	Vamberszky et al.
3,572,234 A	3/1971	Schoenthaler	D334,053 S	3/1993	Cook
3,577,710 A	5/1971	Feldman	5,197,920 A	3/1993	Ganse
3,606,593 A	9/1971	Steiner	D334,977 S	4/1993	Avari
3,630,007 A	12/1971	Neumann	D336,895 S	6/1993	Rogov
3,636,306 A	1/1972	Bumpus	D338,954 S	8/1993	Brock
3,665,838 A	5/1972	Shepherd	D340,109 S	10/1993	Julien
3,692,977 A	9/1972	Duhamel et al.	D341,442 S	11/1993	Shapiro
3,698,833 A	10/1972	Cann et al.	5,319,942 A	6/1994	Paustian
3,732,030 A	5/1973	Mullings	D349,778 S	8/1994	Johnson et al.
3,743,439 A	7/1973	Cann	D350,191 S	8/1994	Tsuji
D229,181 S	11/1973	Bledsoe	5,333,830 A	8/1994	Millen
3,777,650 A	12/1973	Wenig	D350,409 S	9/1994	Johnson et al.
			D352,564 S	11/1994	Marischen
			5,363,837 A *	11/1994	Jang ..... F24C 15/20 126/299 D
			D357,732 S	4/1995	Spechts

(56)

References Cited

U.S. PATENT DOCUMENTS

D361,375 S	8/1995	Gallagher et al.	D457,232 S	5/2002	Miura
D362,059 S	9/1995	Wojcik	D457,616 S	5/2002	Yamanaka et al.
D366,521 S	1/1996	Wijaranakula	D461,235 S	8/2002	Arlotta et al.
D366,522 S	1/1996	Lagace et al.	D461,995 S	8/2002	Massaloux et al.
D367,924 S	3/1996	Patel	D464,418 S	10/2002	Goncalves et al.
D372,767 S	8/1996	Borges	D464,718 S	10/2002	Wilson
D372,775 S	8/1996	Schuler	6,464,579 B1	10/2002	Salazar
D374,927 S	10/1996	Chabot	D465,565 S	11/2002	Twito
D375,350 S	11/1996	Patel et al.	6,488,579 B2	12/2002	Larson et al.
D376,214 S	12/1996	Pinchuk	D469,172 S	1/2003	Warren et al.
D376,639 S	12/1996	Moore	6,503,060 B1	1/2003	Kamada
D376,842 S	12/1996	Franklin et al.	D470,233 S	2/2003	Sarkinen et al.
D377,535 S	1/1997	Shulman	D470,482 S	2/2003	Ikeda
5,601,485 A	2/1997	Gigola	6,537,146 B1	3/2003	Haynes
D378,698 S	4/1997	Ukai et al.	D474,299 S	5/2003	Lecluze
5,632,334 A	5/1997	Grinbergs et al.	D475,131 S	5/2003	Pilger
D382,549 S	8/1997	Yoshimoto	D476,073 S	6/2003	Bourgeois
D386,186 S	11/1997	Schnetzer et al.	D480,712 S	10/2003	Noro
D386,209 S	11/1997	Firestone et al.	D480,791 S	10/2003	Phillips
D387,859 S	12/1997	Ukai et al.	D481,822 S	11/2003	Wang
D388,353 S	12/1997	Desborough et al.	D482,350 S	11/2003	Noro et al.
D393,708 S	4/1998	Assadi	D482,778 S	11/2003	Shapiro
D395,494 S	6/1998	Becker	6,651,454 B1	11/2003	Spiegel
D396,275 S	7/1998	Pearson	6,653,566 B2	11/2003	Petak et al.
D398,417 S	9/1998	Fritzsche	6,723,428 B1	4/2004	Foss et al.
5,820,247 A	10/1998	Schuler	D490,147 S	5/2004	Miura
D401,682 S	11/1998	Galeazzi et al.	D490,509 S	5/2004	Negrao et al.
D403,442 S	12/1998	Joss	6,750,760 B2	6/2004	Albritton et al.
D403,787 S	1/1999	Van Belle	D493,447 S	7/2004	Noro et al.
D404,508 S	1/1999	Marischen	D493,516 S	7/2004	Harbutt et al.
D405,207 S	2/1999	Mora	D493,907 S	8/2004	Benensohn
D407,473 S	3/1999	Winbock	D496,487 S	9/2004	Rhee
D407,521 S	3/1999	Crosby	D496,992 S	10/2004	Lafond
5,879,232 A	3/1999	Luter, II et al.	D499,505 S	12/2004	Benensohn
D409,449 S	5/1999	Cornelissen	D503,689 S	4/2005	Saucier
5,918,972 A	7/1999	Van Belle	6,889,948 B2	5/2005	Melancon et al.
D412,566 S	8/1999	Taras et al.	6,926,000 B2 *	8/2005	Yeung ..... F24C 15/20 126/299 D
D414,253 S	9/1999	Kobayashi et al.	D510,151 S	9/2005	Rashidi
5,971,847 A	10/1999	Webb	D510,432 S	10/2005	Bargiel
D416,315 S	11/1999	Nanjo	D510,996 S	10/2005	Vladika
D416,349 S	11/1999	Pahl	D511,379 S	11/2005	Penlesky et al.
D417,307 S	11/1999	Pahl	D512,503 S	12/2005	Roland
D418,909 S	1/2000	Mockett	D513,072 S	12/2005	Berg
D420,121 S	2/2000	Felix-Flender	6,979,169 B2	12/2005	Penlesky et al.
6,027,406 A	2/2000	Yazici	D514,221 S	1/2006	Vladika
D424,672 S	5/2000	Nanjo	D514,732 S	2/2006	Benensohn
D425,974 S	5/2000	Esty et al.	D521,145 S	5/2006	Craw et al.
D426,292 S	6/2000	Nanjo	D530,808 S	10/2006	Sinur et al.
D426,657 S	6/2000	Joss	D531,301 S	10/2006	Sinur et al.
D427,009 S	6/2000	Iyengar et al.	D532,095 S	11/2006	Calkins
D427,303 S	6/2000	Brown	D532,247 S	11/2006	Copeland
D428,645 S	7/2000	Rossman et al.	D532,507 S *	11/2006	Vetter ..... D23/372
D431,075 S	9/2000	Barraclough	D533,956 S	12/2006	Vladika
D433,116 S	10/2000	Han et al.	D534,301 S	12/2006	Roland
D434,126 S	11/2000	Caronna et al.	D535,009 S	1/2007	Sinur et al.
D435,124 S	12/2000	Yuen	D535,431 S	1/2007	Roland
D435,705 S	12/2000	Powers et al.	D535,433 S	1/2007	Craw et al.
D436,926 S	1/2001	Lew	D535,434 S	1/2007	Fischer et al.
D437,077 S	1/2001	Minissi et al.	D536,778 S	2/2007	O'Hagin
D437,405 S	2/2001	Schrank	D537,511 S	2/2007	Nagahori
D438,328 S	2/2001	Pan	D538,422 S	3/2007	Hooijmaaijers
D438,948 S	3/2001	Schrank	D539,404 S	3/2007	Nagahori
6,227,962 B1	5/2001	Orendorff	D539,887 S	4/2007	Kato et al.
D443,924 S	6/2001	Renella	D539,888 S	4/2007	Tsuji
6,261,175 B1	7/2001	Larson et al.	D541,405 S	4/2007	Snyder
D446,850 S	8/2001	Arlotta et al.	7,203,416 B2	4/2007	Craw et al.
D448,462 S	9/2001	Nanjo	D541,689 S	5/2007	Meyers et al.
D449,680 S	10/2001	Arlotta et al.	D541,927 S	5/2007	Yamanaka et al.
D451,187 S	11/2001	Webb	D543,270 S	5/2007	Miura et al.
D452,904 S	1/2002	Peng	D544,618 S	6/2007	Coushaine
D452,905 S	1/2002	Peng	D545,487 S	6/2007	Bynum
D452,906 S	1/2002	Peng	D547,853 S	7/2007	Pilon et al.
D453,375 S	2/2002	Peng	D550,043 S	7/2007	Brattoli
D453,564 S	2/2002	Schrank	D550,344 S	9/2007	Weggelaar
D454,391 S	3/2002	Schrank	D550,660 S	9/2007	Noro et al.
			D551,750 S	9/2007	Wefler
			D553,235 S	10/2007	Herbst et al.
			D553,727 S	10/2007	Kato et al.

(56)

References Cited

U.S. PATENT DOCUMENTS

D553,905 S	10/2007	Orr, Jr.	D638,925 S	5/2011	Charlebois et al.
D555,777 S	11/2007	Aveldson	D642,667 S	8/2011	Irwin
D557,397 S	12/2007	Sinur et al.	D646,417 S	8/2011	Wauters
D558,322 S	12/2007	Lebeuf et al.	D648,135 S	11/2011	Lee
D561,887 S	2/2008	Friedman et al.	D648,471 S	11/2011	Wauters
7,328,478 B2	2/2008	Jenkins	D653,323 S	1/2012	Jacak
D563,539 S	3/2008	Sinur et al.	D654,998 S	2/2012	Zakula et al.
D565,716 S	4/2008	Jacak	D655,403 S	3/2012	Zakula et al.
D565,717 S	4/2008	Jacak et al.	D655,804 S	3/2012	Platt
D565,722 S	4/2008	Hollingsworth et al.	D655,850 S	3/2012	Sabernig
D566,257 S	4/2008	Deng	D655,855 S	3/2012	Sabernig
D566,262 S	4/2008	Zakula et al.	D656,264 S	3/2012	Janssen
D566,822 S	4/2008	Blanchette et al.	D657,036 S	4/2012	Vetu et al.
D566,912 S	4/2008	Reick-Mitrisin et al.	D657,858 S	4/2012	Platt
D567,352 S	4/2008	Hollingsworth et al.	D658,603 S	5/2012	Egawa et al.
D567,353 S	4/2008	Hollingsworth et al.	D658,604 S	5/2012	Egawa et al.
D567,354 S	4/2008	Jacak et al.	D662,648 S	6/2012	Whiting et al.
D567,355 S	4/2008	Zakula et al.	D663,880 S	7/2012	Janssen
D567,434 S	4/2008	Itiravivong	D663,881 S	7/2012	Janssen
D567,435 S	4/2008	Kim et al.	D664,369 S	7/2012	Duma
D567,692 S	4/2008	Meyers et al.	D665,225 S	8/2012	Zakula et al.
D567,931 S	4/2008	Hollingsworth et al.	8,256,241 B2	9/2012	Ikeda et al.
D567,932 S	4/2008	Hollingsworth et al.	D672,079 S	12/2012	Kong
D567,933 S	4/2008	Hollingsworth et al.	D676,542 S *	2/2013	Sinur ..... D23/372
D568,460 S	5/2008	Jacak et al.	D678,010 S	3/2013	Sudmalis
D569,492 S	5/2008	Zakula et al.	D678,497 S	3/2013	Tom
D570,465 S	6/2008	Miyake et al.	D678,995 S	3/2013	Hoshino et al.
D571,453 S	6/2008	Hsu et al.	D679,046 S	3/2013	Hoshino et al.
D574,478 S	8/2008	Miyake et al.	D681,794 S	5/2013	Lin et al.
D575,386 S	8/2008	Jacak et al.	D682,455 S	5/2013	Apetauer et al.
D575,387 S	8/2008	Zakula et al.	D685,947 S	7/2013	Pyle
D575,389 S	8/2008	Lazzara	D690,869 S	10/2013	Katz et al.
D577,431 S	9/2008	Miyake et al.	D694,386 S	11/2013	Sinur et al.
D577,805 S	9/2008	Adrian et al.	D694,387 S	11/2013	Sinur et al.
D578,811 S	10/2008	Gervasi	D694,388 S	11/2013	Sinur et al.
D581,508 S	11/2008	Miyake et al.	D694,389 S	11/2013	Sinur et al.
D581,516 S	11/2008	Koury et al.	D694,390 S	11/2013	Sinur et al.
D581,517 S	11/2008	Koury et al.	D694,391 S	11/2013	Sinur et al.
D584,393 S	1/2009	Miyake et al.	D694,392 S	11/2013	Sinur et al.
D584,394 S	1/2009	Miyake et al.	D699,831 S *	2/2014	Funnell, II ..... D23/371
D585,129 S	1/2009	Huang	D701,952 S	4/2014	Hoshino et al.
D587,797 S	3/2009	Blanchard	D702,827 S	4/2014	Mase et al.
D588,257 S	3/2009	Reedy	D704,318 S	5/2014	Martel
D588,688 S	3/2009	Lablaine	D705,409 S	5/2014	Hagiwara
D589,605 S	3/2009	Reedy et al.	D705,417 S	5/2014	Lin et al.
7,537,647 B2	5/2009	Adair et al.	D706,404 S	6/2014	Tsuji
D595,402 S	6/2009	Miyake et al.	D706,916 S	6/2014	Penlesky et al.
D595,830 S	7/2009	Deng	D709,170 S	7/2014	Tsuji
D601,281 S	9/2009	Howard et al.	D709,606 S *	7/2014	Sinur ..... D23/372
7,581,717 B1	9/2009	Thurkill	D710,000 S	7/2014	Moreno
D602,146 S	10/2009	Olesen	D713,952 S	9/2014	Jepson
D602,193 S	10/2009	Soderman et al.	8,864,447 B1	10/2014	Humphrey
7,596,960 B2	10/2009	Bae	D716,772 S	11/2014	Cavero et al.
D604,834 S	11/2009	Ungar	D717,933 S	11/2014	McClelland et al.
D606,696 S	12/2009	Chen et al.	D718,086 S	11/2014	Lewis et al.
D607,600 S	1/2010	Keith	D718,434 S	11/2014	Diamond
D609,321 S	2/2010	Tomasulo	D718,762 S	12/2014	Aarrestad et al.
D609,803 S	2/2010	Ungar	D720,442 S	12/2014	Kosuge
D609,840 S	2/2010	Tang	D725,624 S	3/2015	Carney et al.
D617,441 S	6/2010	Koury et al.	D725,767 S	3/2015	Hoshino et al.
D617,889 S	6/2010	Miyake	D728,772 S	5/2015	Santeler et al.
D618,782 S	6/2010	Zakula et al.	D730,510 S	5/2015	Schanzenbach
D621,491 S	8/2010	Tsuji	9,022,846 B1	5/2015	Tom
D622,033 S	8/2010	Lambetz	9,028,212 B1	5/2015	Tom
D628,737 S	12/2010	Van Den Akker	D732,156 S	6/2015	Penlesky et al.
D629,561 S	12/2010	Kim et al.	D733,861 S	7/2015	Haaf et al.
7,850,513 B1	12/2010	Parker et al.	D733,863 S	7/2015	Funnell, II et al.
D631,144 S	1/2011	Tsuji	9,103,104 B1	8/2015	Tom
D631,188 S	1/2011	Lovegrove	D738,482 S	9/2015	Lin et al.
D632,380 S	2/2011	Kim et al.	D738,538 S	9/2015	Lillejord
D635,234 S	3/2011	Gauthier et al.	D739,928 S	9/2015	Raisanen
D635,235 S	3/2011	Hoshino et al.	D739,977 S	9/2015	Boyer et al.
D635,238 S	3/2011	Zakula et al.	9,131,814 B2	9/2015	Nakamura
D636,482 S	4/2011	LeMay	D741,463 S	10/2015	Hauville et al.
D636,611 S	4/2011	Duma	D741,648 S	10/2015	Wahl
			D742,494 S	11/2015	Kouketsu et al.
			D743,520 S *	11/2015	Sinur ..... D23/372
			9,182,138 B2	11/2015	Foreman et al.
			9,188,132 B1	11/2015	Tom

(56)

References Cited

U.S. PATENT DOCUMENTS

D744,628 S 12/2015 Alexander  
 D745,131 S \* 12/2015 Sinur ..... D23/372  
 D745,652 S 12/2015 Berkman et al.  
 D746,424 S 12/2015 Takahashi et al.  
 D746,427 S 12/2015 Mecker  
 9,212,668 B2 12/2015 Deng et al.  
 D747,141 S 1/2016 Wahl  
 D747,576 S 1/2016 Fjellman  
 D751,189 S 3/2016 Suzuki et al.  
 D751,247 S 3/2016 Reynolds  
 D752,201 S 3/2016 Herbst  
 D753,869 S 4/2016 Prijic  
 D754,319 S 4/2016 Park et al.  
 9,303,859 B2 4/2016 Horng et al.  
 9,303,888 B2 4/2016 Karst et al.  
 D755,942 S 5/2016 Kim  
 D758,559 S \* 6/2016 Sinur ..... D23/372  
 D759,800 S 6/2016 Adrian et al.  
 D771,231 S 11/2016 Chen et al.  
 D778,424 S 2/2017 Jonas et al.  
 D778,425 S 2/2017 Jonas et al.  
 D779,050 S 2/2017 Jonas et al.  
 D784,511 S 4/2017 Jonas et al.  
 D784,512 S 4/2017 Jonas et al.  
 D804,627 S \* 12/2017 Puffer ..... D23/371  
 D814,009 S \* 3/2018 Puffer ..... D23/371  
 D820,428 S \* 6/2018 Sinur ..... D23/372  
 D826,391 S \* 8/2018 Puffer ..... D23/371  
 D826,392 S \* 8/2018 Sinur ..... D23/372  
 D834,695 S \* 11/2018 Puffer ..... D23/370  
 D836,765 S \* 12/2018 Puffer ..... D23/370  
 D838,829 S \* 1/2019 Puffer ..... D23/370  
 D838,830 S \* 1/2019 Puffer ..... D23/370  
 2003/0220069 A1 11/2003 Orendorff  
 2005/0095979 A1 5/2005 Moreno  
 2005/0111840 A1 5/2005 Craw et al.  
 2007/0167128 A1 7/2007 Popowitz  
 2007/0256681 A1 \* 11/2007 Chiang ..... F24C 15/2071  
 126/299 R  
 2008/0190411 A1 \* 8/2008 Chiang ..... F24C 15/2035  
 126/299 R  
 2009/0130970 A1 5/2009 Jacak et al.  
 2009/0170421 A1 7/2009 Adrian et al.  
 2009/0280737 A1 11/2009 Jacak et al.  
 2011/0036340 A1 \* 2/2011 Chu ..... F24C 15/20  
 126/299 D  
 2012/0087132 A1 4/2012 Zakula et al.  
 2013/0087133 A1 \* 4/2013 Davis ..... F24C 15/20  
 126/299 D  
 2013/0088855 A1 4/2013 Ye et al.  
 2014/0063796 A1 3/2014 Zakula et al.  
 2015/0117034 A1 4/2015 Horng et al.  
 2015/0125292 A1 5/2015 Karst et al.  
 2015/0140923 A1 5/2015 Penlesky  
 2015/0219118 A1 8/2015 Zakula et al.  
 2016/0029109 A1 1/2016 Liu et al.  
 2016/0069561 A1 3/2016 Jonas et al.

FOREIGN PATENT DOCUMENTS

CA 108557 1/2006  
 CA 125252 12/2008  
 CA 123980 1/2009  
 CA 139685 11/2011  
 CA 139686 11/2011  
 CA 142616 11/2011  
 CA 141563 5/2012  
 CA 144417 5/2012  
 CA 2636643 12/2012  
 CA 153524 6/2014  
 CA 153666 9/2014  
 CA 153782 9/2014  
 CA 163015 5/2016  
 CA 163016 5/2016

CA 163017 5/2016  
 CA 163018 5/2016  
 CA 165306 1/2017  
 CA 165307 1/2017  
 CA 165355 1/2017  
 CA 165366 1/2017  
 CA 167117 1/2017  
 CN 303580220 2/2016  
 CN 303580221 2/2016  
 CN 303580222 2/2016  
 CN 303580223 2/2016  
 CN 303580224 2/2016  
 CN 201630055109.5 2/2017  
 CN 201630319417.4 5/2017  
 CN 201630319598.0 5/2017  
 CN 201630319600.4 5/2017  
 CN 201630564099.8 1/2018  
 EM 002128595-0007 10/2012  
 EM 003476209-0001 11/2016  
 EM 003476209-0002 11/2016  
 EP 1248048 10/2002  
 FR 1234767 10/1960

OTHER PUBLICATIONS

Thomas Lighting Catalog, Copyright 1980, p. 145, Ceiling Lamp #R213, and p. 149, Fan-Light Unit #T342.  
 Thomas Industries Starlight Lighting Catalog, Copyright 1982m p. 61, Combined Fan-Light Heater T-305.  
 Emerson Environmental Products Whole House Fan and Shutter System Owners Manual, Dec. 1982.  
 Photographs of Panasonic Ventilating Fan, Model FV-11, VHL1, available prior to Jan. 2, 2008.  
 Spartan Electric Company, Direct Drive Whole House Fans Publication, available prior to Jan. 2, 2008.  
 Direct Drive Whole House Fans Publication, Spartan Electric Company, Fayetteville, N.C., (Feb. 4, 2008) 4 pgs.  
 "Whole House Fan and Shutter System Owners Manual", Emerson Environmental Products, Model No. WH2OWS, Bennettsville, S.C., (Feb. 4, 2008), 12 pgs.  
 ""Whirlpool 30"" and 36"" Range Hood Models UXT3030AY/UXT3036Y0, Installation instructions and Use & Care Guide, [online] Retrieved from the Internet: <[http://www.whirlpool.ca/digitalassets/UXT3030AYB/Use%20and%20Care\\_EN.pdf](http://www.whirlpool.ca/digitalassets/UXT3030AYB/Use%20and%20Care_EN.pdf)>, (2011), 28 pgs.  
 Maytag 30 in. Non-Vented Range Hood in Stainless Steel"", Model# UXT4030AYS, Home Depot, [online] [retrieved on Sep. 23, 2013]. Retrieved from the Internet: <[http://www.homedepot.com/p/Maytag-30-in-Non-Vented-Range-Hood-in-Stainless-Steel-UXT4030AYS/202832999#customer\\_reviews](http://www.homedepot.com/p/Maytag-30-in-Non-Vented-Range-Hood-in-Stainless-Steel-UXT4030AYS/202832999#customer_reviews)>, 8 pages.  
 "Finnleo Steam Sauna Ventilation Wood Grill", [online]. Retrieved from the Internet: <<https://www.tineye.com/search/8ff8db465e46f58bcad482160583c-b539dc23faf/>>, (Jun. 6, 2012).  
 U.S. Appl. No. 11/968,250, Non Final Office Action dated Sep. 20, 2012, 20 pages.  
 U.S. Appl. No. 11/968,250, Response filed Dec. 20, 2012 to Non Final Office Action dated Sep. 20, 2012, 26 pages.  
 U.S. Appl. No. 11/968,250, Final Office Action dated Mar. 26, 2013, 20 pages.  
 U.S. Appl. No. 11/968,250, Response filed May 24, 2013, to Final Office Action dated Mar. 26, 2013, 34 pages.  
 U.S. Appl. No. 11/968,250, Advisory Action dated Jun. 24, 2013, 3 pages.  
 U.S. Appl. No. 11/968,250, Non Final Office Action dated Aug. 22, 2013, 18 pages.  
 U.S. Appl. No. 29/458,592, Non Final Office Action dated Sep. 27, 2013, 7 pages.  
 U.S. Appl. No. 11/968,250, Response filed Nov. 8, 2013, to Non Final Office Action dated Aug. 22, 2013, 23 pages.  
 Grille Images, image post date Nov. 23, 2013, site visited May 14, 2016, [online], <<https://www.tineye.com/search/ea95b48bdc1fce15b68e4fbc33c-0e4e7566460/>>.  
 U.S. Appl. No. 29/458,592, Response filed Dec. 27, 2013, to Non Final Office Action dated Sep. 27, 2013, 8 pages.

(56)

**References Cited**

## OTHER PUBLICATIONS

U.S. Appl. No. 11/968,250 Final Office Action dated Jan. 22, 2014, 18 pages.

U.S. Appl. No. 29/458,592, Notice of Allowance dated Mar. 4, 2014, 6 pages.

Napoleon Prestige Pro 450—Naural Gas, image post date Apr. 5, 2014, site visited May 15, 2014, [online], <<http://web.archive.org/web/20140405111728/http://www.bbqworld.co.uk/n- apoleon/napoleon-prestige-pro-450-natural-gas.asp>>.

“Ultra Green Series”, [online], retrieved from the Internet: <<http://web.archive.org/web/20140416053348/http://www.broan.com/products/filter/ultra-406c-abf1-ef72241eb706>> (Apr. 16, 2014).

Airvent 435103 Kitchen Extractor Fan, [online], retrieved from the Internet: <<https://www.amazon.co.uk/Airvent-435103-Kitchen-Extractor-1-50mm/dp/B0085TQ75U/ref=pd.sub.-cp.sub.-107.sub.-3?le=UTF8&refRID=IXMRP1-Q1QR5H6NZ1MR7C>> (Mar. 14, 2014).

U.S. Appl. No. 11/968,250, Reponse filed May 22, 2014 to Final Office Action dated Jan. 22, 2014, 12 pgs.

U.S. Appl. No. 11/968,250, Non Final Office Action dated Jun. 19, 2014, 18 pgs.

U.S. Appl. No. 11/968,250, Response filed Sep. 19, 2014 to Non Final Office Action dated Jun. 19, 2014, 11 pgs.

Air Vent Grille Cover, image post date Nov. 9, 2014, site visited May 14, 2016, [online], <<https://www.tineye.com/search232b8f674998285163e7a3de47a03ed0ef9b1dc-6/>>.

GDL Air Distribution Grilles, image post date Nov. 23, 2014, site visited May 14, 2016, [online], <<https://www.tineye.com/search/d0efdc23f3887a1bdc58adaa3fef15c33f2b486-b/>>.

U.S. Appl. No. 11/968,250, Final Office Action dated Nov. 26, 2014, 20 pgs.

“Manrose FF100P Bathroom Fan”, [online], retrieved from the Internet: <<https://www.tineye.com/search/63988ff8b950dad9cb1aaec51119050bdd00cf2-1/?pluginver=>>>, (Dec. 12, 2014).

U.S. Appl. No. 29/458,589, Restriction Requirement dated Apr. 9, 2015, 7 pgs.

U.S. Appl. No. 29/458,589, Response filed Apr. 27, 2015 to Restriction Requirement dated Apr. 9, 2015, 4 pgs.

U.S. Appl. No. 29/521,663, Restriction Requirement, dated Dec. 3, 2015, 6 pgs.

U.S. Appl. No. 29/521,663, Response filed Feb. 2, 2016 to Restriction Requirement dated Dec. 3, 2015. 3 pgs.

U.S. Appl. No. 29/521,663, Notice of Allowance dated Feb. 12, 2016, 7 pgs.

U.S. Appl. No. 29/521,663, Corrected Notice of Allowance dated Mar. 30, 2016, 4 pgs.

U.S. Appl. No. 29/514,061, Non Final Office Action dated May 19, 2016, 19 pgs.

U.S. Appl. No. 29/514,063, Non Final Office Action dated May 19, 2016, 22 pgs.

U.S. Appl. No. 29/514,067, Final Office Action dated May 20, 2016, 21 pgs.

U.S. Appl. No. 29/514,073, Non Final Office Action dated May 20, 2016, 21 pgs.

U.S. Appl. No. 29/514,070, Non Final Office Action dated May 27, 2016, 26 pgs.

U.S. Appl. No. 29/514,061, Response filed Aug. 17, 2016 to Non Final Office Action dated May 19, 2016, 6 pgs.

U.S. Appl. No. 29/514,063, Response filed Aug. 17, 2016 to Non Final Office Action dated May 19, 2016, 8 pgs.

U.S. Appl. No. 29/514,067, Response filed Aug. 22, 2016 to Non Final Office Action dated May 20, 2016, 6 pgs.

U.S. Appl. No. 29/514,073, Response filed Aug. 22, 2016, to Non Final Office Action dated May 20, 2019.

U.S. Appl. No. 29/514,070, Response filed Aug. 29, 2016 to Non Final Office Action dated May 27, 2016, 6 pgs.

U.S. Appl. No. 29/538,019, Restriction Requirement dated Sep. 1, 2016, 7 pgs.

U.S. Appl. No. 29/514,061, Final Office Action dated Sep. 19, 2016, 9 pgs.

U.S. Appl. No. 29/514,073, Notice of Allowance dated Sep. 19, 2016, 8 pgs.

U.S. Appl. No. 29/514,067, Notice of Allowance dated Sep. 20, 2016, 9 pgs.

U.S. Appl. No. 29/514,070, Notice of Allowance dated Sep. 21, 2016, 6 pgs.

U.S. Appl. No. 29/514,070, Corrected Notice of Allowance dated Oct. 5, 2016, 2 pgs.

U.S. Appl. No. 29/514,073, Corrected Notice of Allowance dated Oct. 5, 2016, 2 pgs.

U.S. Appl. No. 29/538,019, Examiner Interview Summary dated Oct. 11, 2016, 7 pgs.

U.S. Appl. No. 29/514,063, Response filed Oct. 24, 2016, to Non Final Office Action dated May 19, 2016, 8 pgs.

U.S. Appl. No. 29/538,019, Response filed Nov. 1, 2016 to Restriction Requirement dated Sep. 1, 2016, 4 pgs.

U.S. Appl. No. 29/514,061, Response filed Nov. 21, 2016 to Final Office Action dated Sep. 19, 2016, 16 pgs.

U.S. Appl. No. 29/538,019, Notice of Allowance dated Nov. 23, 2016, 9 pgs.

U.S. Appl. No. 29/539,396, Notice of Allowance dated Feb. 27, 2017, 9 pgs.

U.S. Appl. No. 29/539,401, Notice of Allowance dated Feb. 27, 2017, 8 pgs.

U.S. Appl. No. 29/539,391, Notice of Allowance dated Mar. 1, 2017, 8 pgs.

U.S. Appl. No. 29/539,405, Notice of Allowance dated Mar. 1, 2017, 9 pgs.

U.S. Appl. No. 29/539,409, Notice of Allowance dated Mar. 2, 2017, 8 pgs.

U.S. Appl. No. 29/539,392, Notice of Allowance dated Mar. 3, 2017, 8 pgs.

U.S. Appl. No. 29/539,415, Notice of Allowance dated Mar. 9, 2017, 8 pgs.

U.S. Appl. No. 29/539,414, Notice of Allowance dated Mar. 13, 2017, 8 pgs.

Broan QTX110SL Media Gallery, Broan QTX110SL Combination Fan, Light, Night-Light, 110 CFM, 0.9 Sones, Humidity Sensing, VENTINGDIRECT.COM, p. 1.

\* cited by examiner

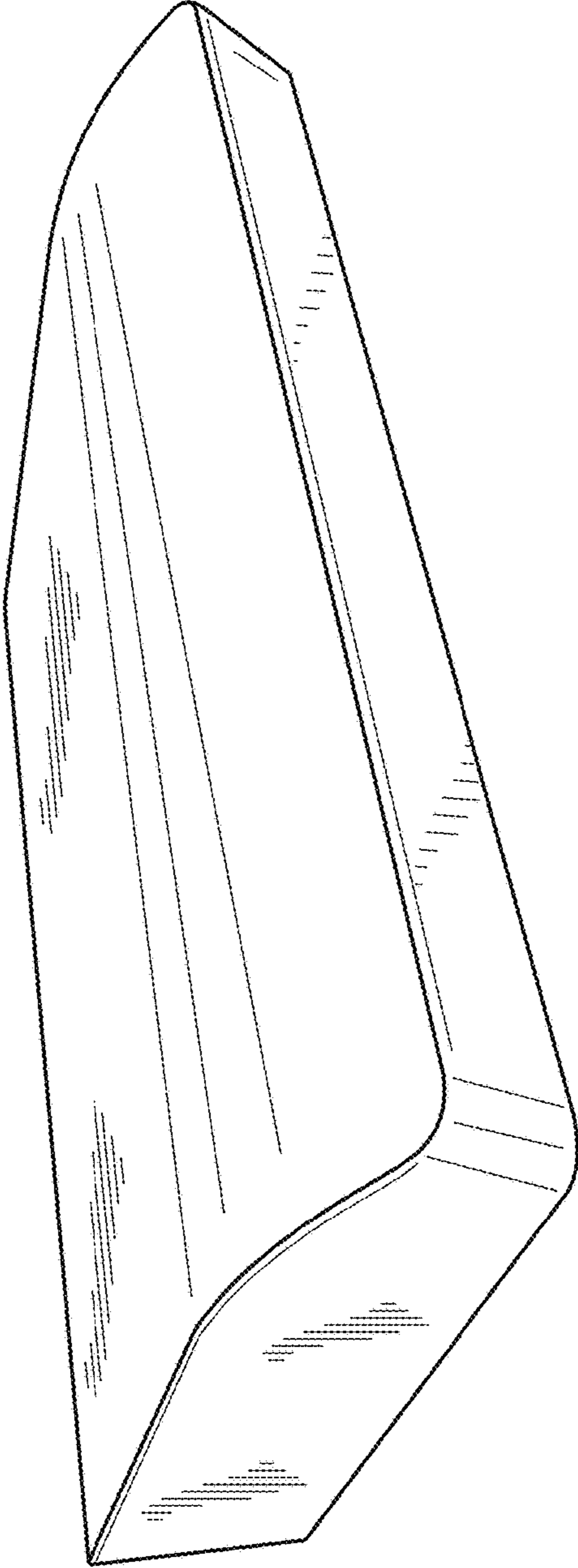


FIG. 1

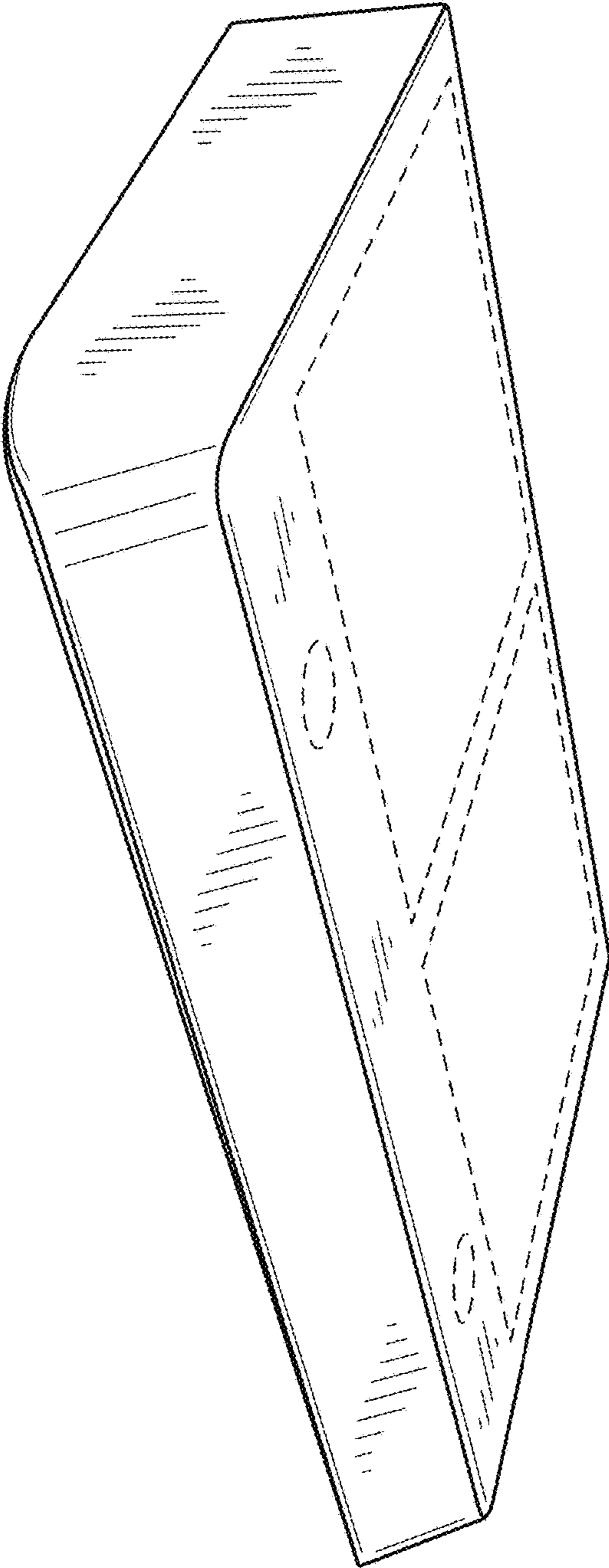
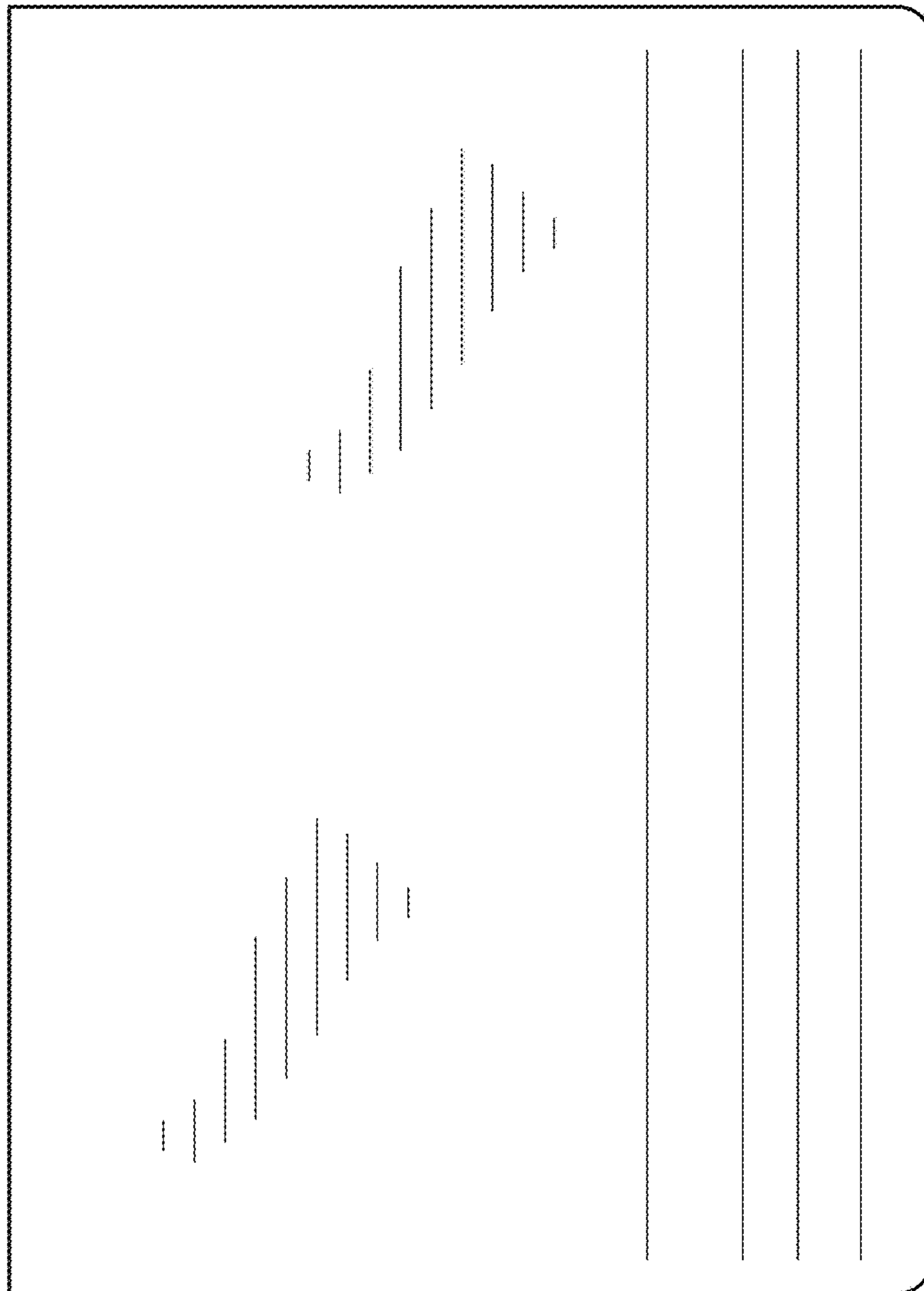
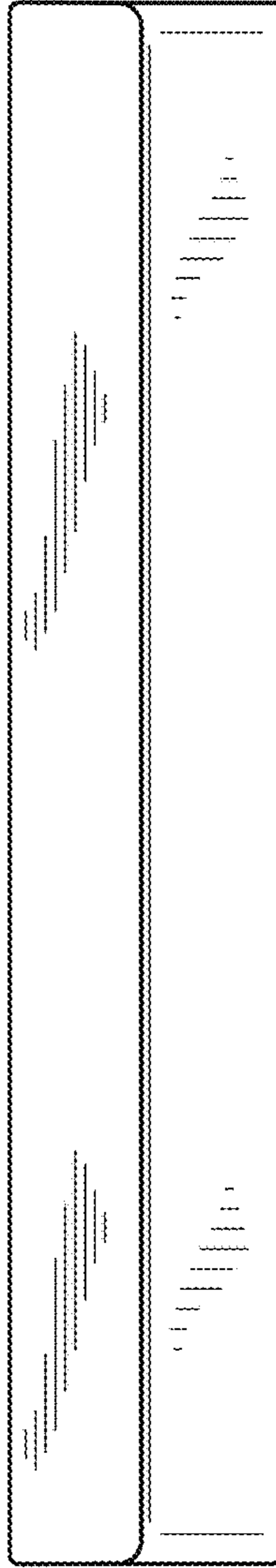


FIG. 2





**FIG. 3**



**FIG. 4**

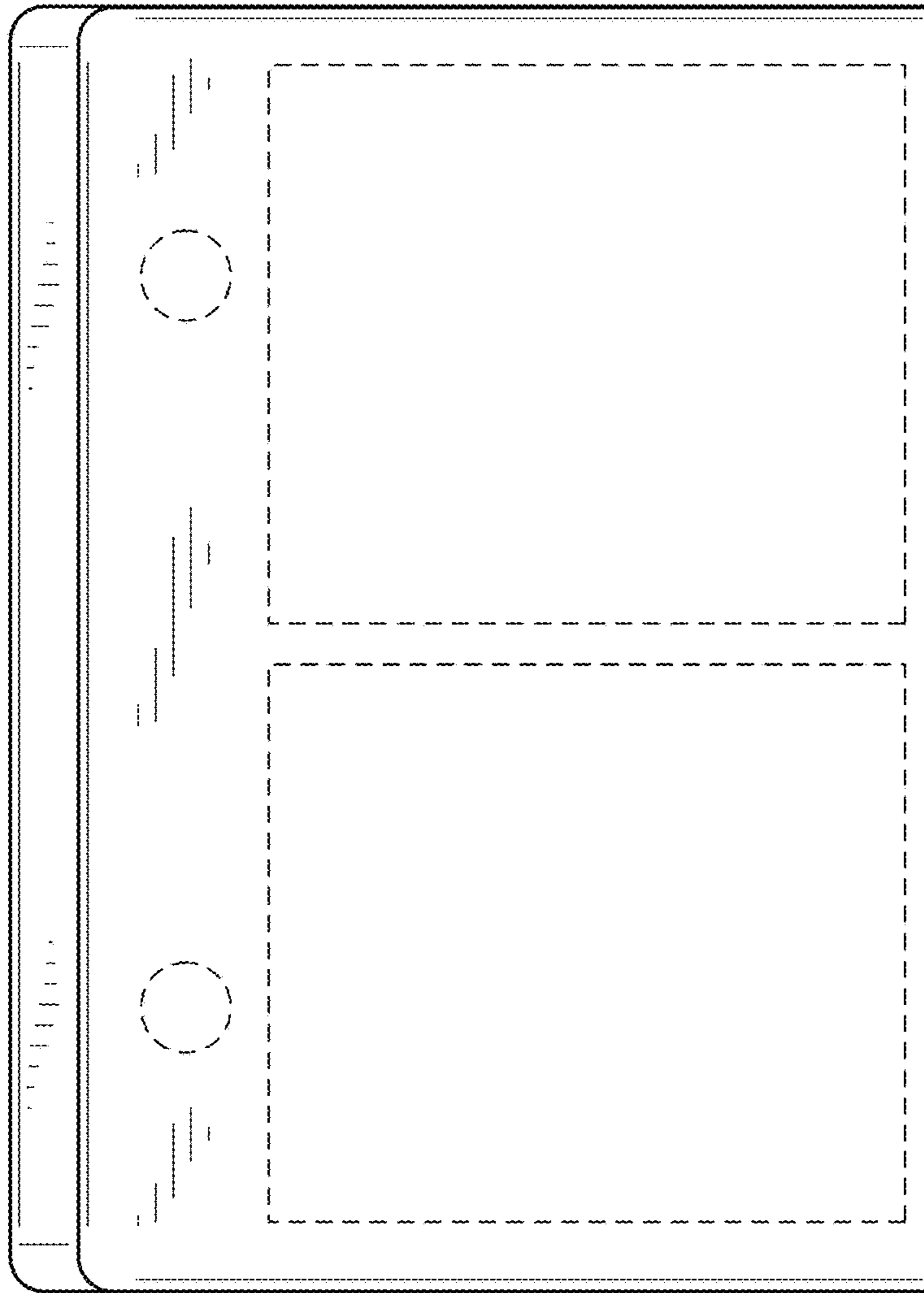
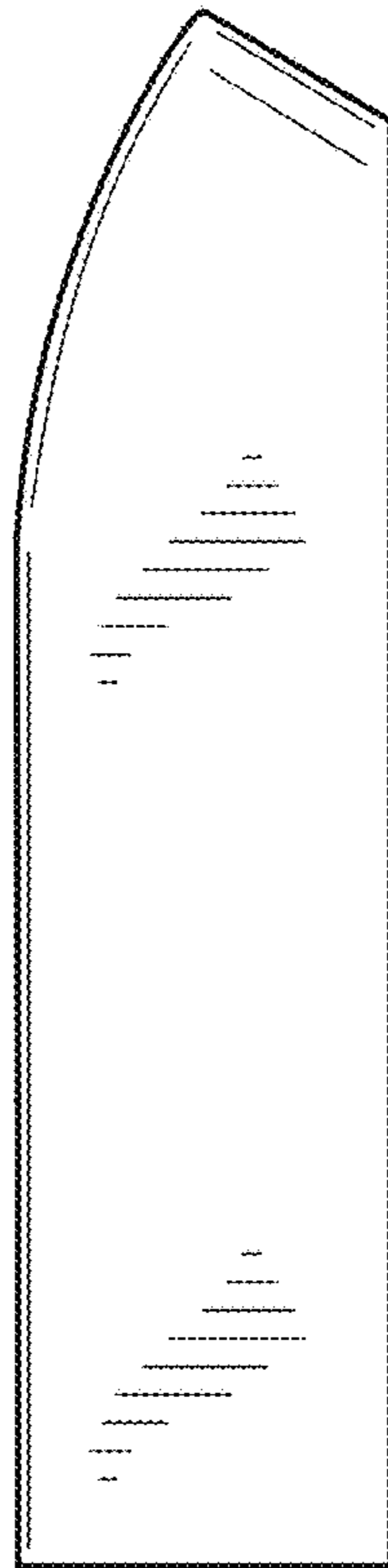


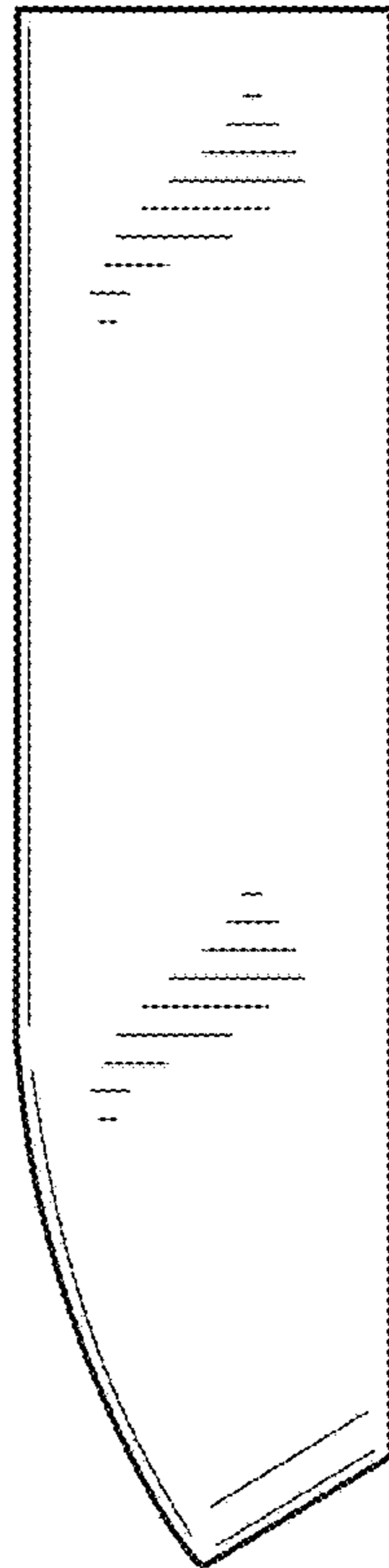
FIG. 5



**FIG. 6**



**FIG. 7**



**FIG. 8**