



US00D858731S

(12) **United States Design Patent** (10) **Patent No.:** **US D858,731 S**
Hyon et al. (45) **Date of Patent:** **** Sep. 3, 2019**

(54) **FILTER FOR AIR PURIFIER**

(56) **References Cited**

(71) Applicant: **LG ELECTRONICS INC.**, Seoul (KR)

U.S. PATENT DOCUMENTS

(72) Inventors: **Chinsoo Hyon**, Seoul (KR); **Seungho Baek**, Seoul (KR); **Yunseo Jang**, Seoul (KR); **Jaeyeong Jo**, Seoul (KR)

D256,943 S * 9/1980 Angelinetta D23/209
D274,462 S * 6/1984 Rakocy D23/365
D300,848 S * 4/1989 Baker D23/365
D354,344 S * 1/1995 Fritz D23/366
5,525,145 A * 6/1996 Hodge B01D 46/001
96/17

(73) Assignee: **LG Electronics Inc.**, Seoul (KR)

(Continued)

(**) Term: **15 Years**

Primary Examiner — Richard E Chilcot

(21) Appl. No.: **35/504,878**

(74) *Attorney, Agent, or Firm* — Birch, Stewart, Kolasch & Birch, LLP

(22) Filed: **Nov. 9, 2017**

(57) **CLAIM**

(80) **Hague Agreement Data**

The ornamental design for a filter for air purifier, as shown and described.

Int. Filing Date: **Nov. 9, 2017**

Int. Reg. No.: **DM/099370**

Int. Reg. Date: **Nov. 9, 2017**

Int. Reg. Pub. Date: **May 11, 2018**

DESCRIPTION

(30) **Foreign Application Priority Data**

May 10, 2017 (KR) 30-2017-0020943

(51) **LOC (12) Cl.** **23-04**

(52) **U.S. Cl.**
USPC **D23/365**
CPC **A61L 9/00 (2013.01)**

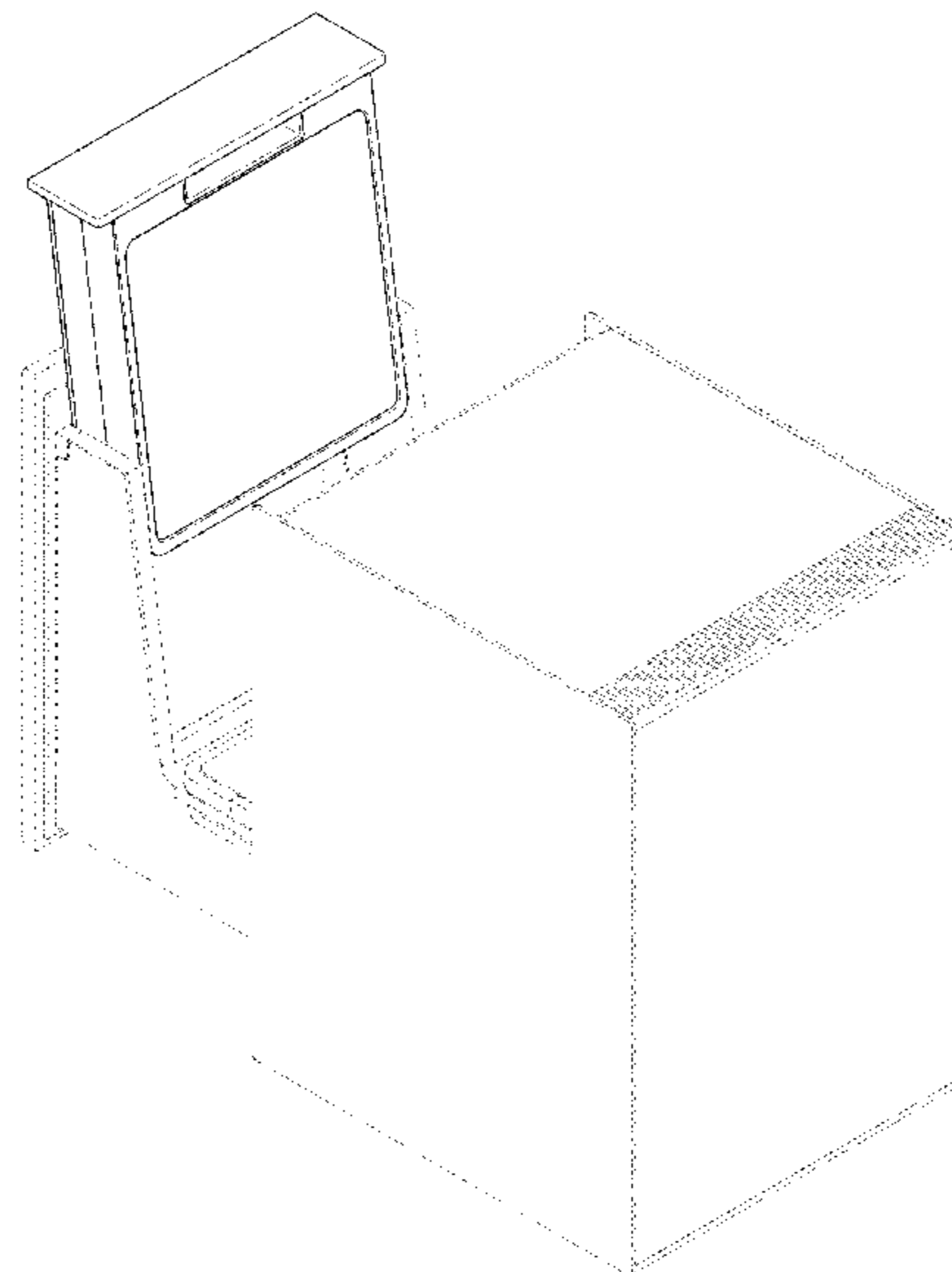
(58) **Field of Classification Search**
USPC D23/209, 210, 355-365
CPC A61L 9/00; A61L 9/02; A61L 9/03; A61L 9/034; A61L 9/04; A61L 9/12; A61L 9/032; A61L 9/122; A61L 9/127; A61L 9/22; B01D 46/00; B01D 46/0002; B01D 46/20; F02M 35/04; F24F 13/20; A62B 21/00

- 1. Filter for air purifier
- 1.1 : Perspective
- 1.2 : Front
- 1.3 : Back
- 1.4 : Left
- 1.5 : Right
- 1.6 : Top
- 1.7 : Bottom
- 1.8 : Reference
- 1.9 : Reference

The broken line showing of an air purifier in Reproductions **1.8** and **1.9** is for the purpose of illustrating environmental structure of the filter for air purifier and forms no part of the claimed design. Reproduction **1.8** is a reference view showing the subject design installed in an air purifier; reproduction **1.9** is a reference view showing the subject design separated from an air purifier.

See application file for complete search history.

1 Claim, 8 Drawing Sheets



(56)

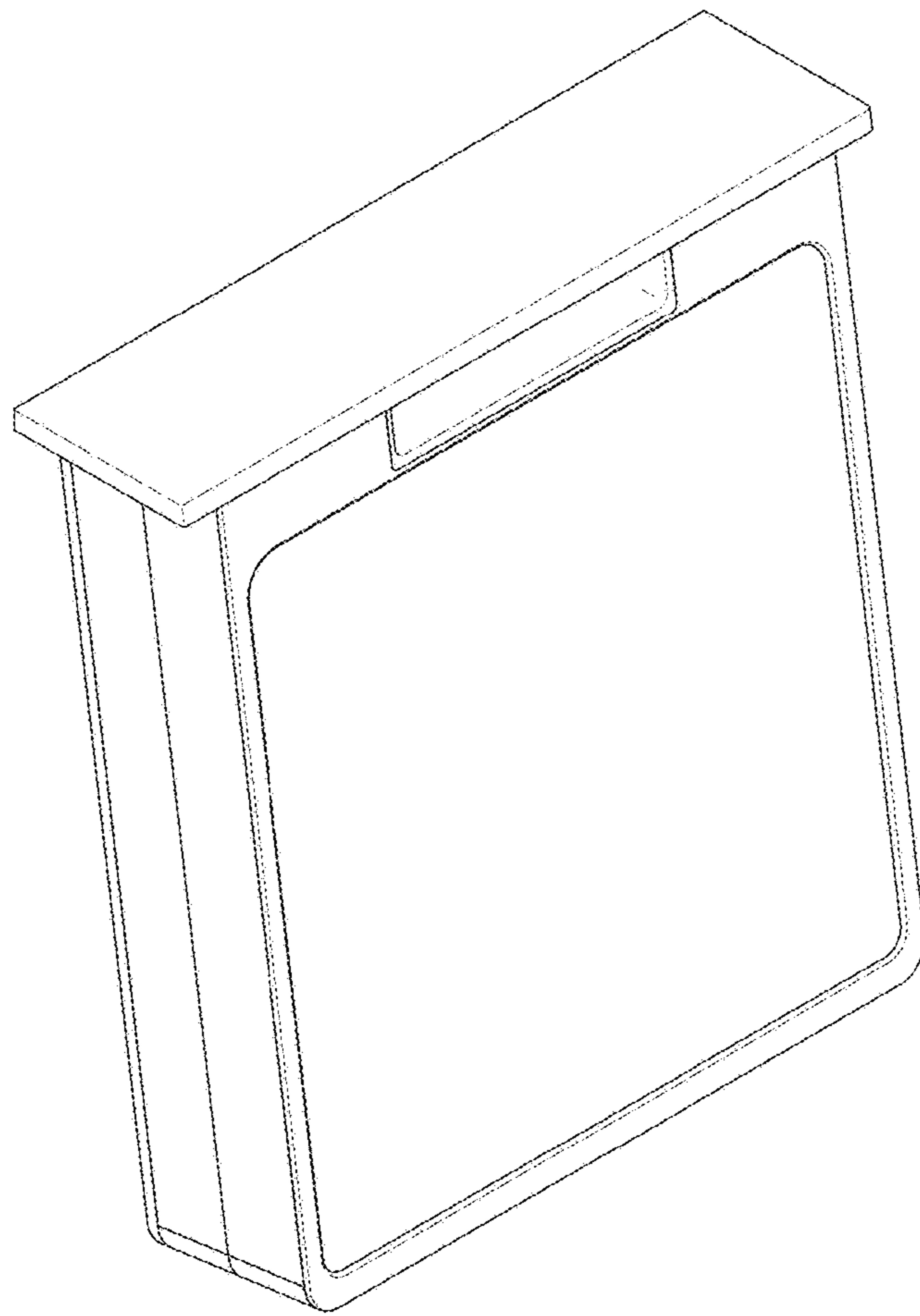
References Cited

U.S. PATENT DOCUMENTS

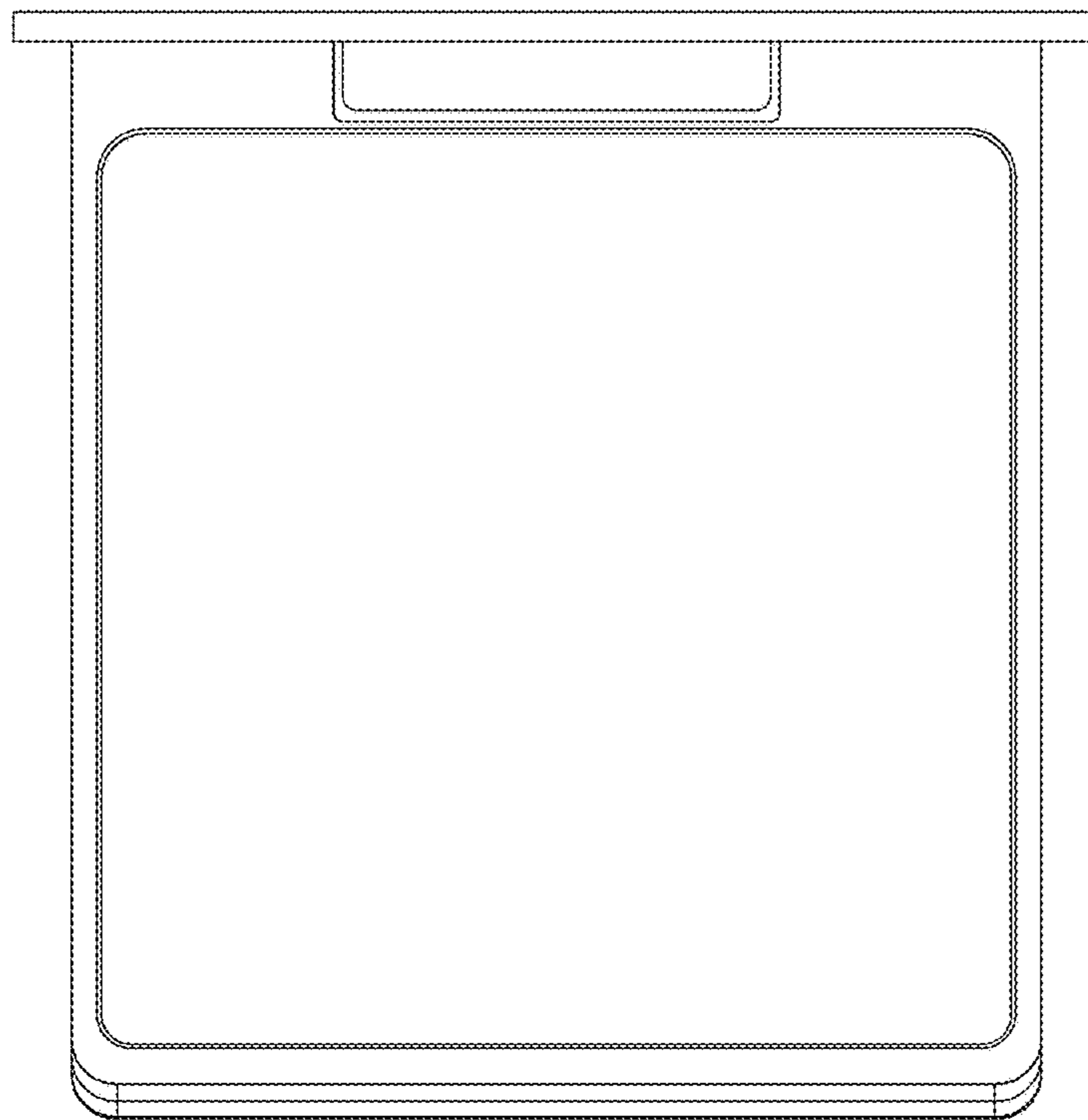
5,651,188	A *	7/1997	Swanson	D06F 58/22	8,021,455	B2 *	9/2011	Adamek	B01D 39/163
											55/486
D383,881	S *	9/1997	Gudmundsson	D32/30	8,172,919	B1 *	5/2012	Ruiz	B01D 46/0002
D389,284	S *	1/1998	Gudmundsson	D32/30						55/315
D390,747	S *	2/1998	Joergensen	D7/400	D683,008	S *	5/2013	Olchovy	D23/366
5,725,623	A *	3/1998	Bowerman	A47L 5/28	8,535,404	B2 *	9/2013	Crabtree	B01D 39/1623
											55/385.6
D394,901	S *	6/1998	Governale	D23/351	8,623,109	B2 *	1/2014	Anoszko	B01D 46/0005
D402,356	S *	12/1998	Hodge	D23/365						55/497
D406,421	S *	3/1999	Bobrosky	D32/31	D726,296	S *	4/2015	Talbot	D23/366
D425,270	S *	5/2000	Zahuranec	D32/30	D754,315	S *	4/2016	Morin	D23/365
D439,963	S *	4/2001	Gieseke	D23/365	D761,407	S *	7/2016	Spear	D23/365
D441,067	S *	4/2001	Flor	D23/365	D770,029	S *	10/2016	Guillemi	D23/392
D443,740	S *	6/2001	Stratford	D32/30	D788,903	S *	6/2017	Kern	D23/388
D445,974	S *	7/2001	Stratford	D32/30	D796,022	S *	8/2017	DeChristofaro	D23/365
D449,100	S *	10/2001	Sundet	D23/365	D796,661	S *	9/2017	Oswald, Jr.	D23/388
D472,683	S *	4/2003	Stratford	D32/31	D800,893	S *	10/2017	Krob, Jr.	D23/386
D522,194	S *	5/2006	Mason	D32/30	D804,005	S *	11/2017	Spear	D23/365
7,070,641	B1 *	7/2006	Gunderson	B01D 53/0415	D804,644	S *	12/2017	Krob, Jr.	D23/397
											55/497
D538,418	S *	3/2007	Pippel	D23/209	D804,981	S *	12/2017	Pohl	D11/7
D544,949	S *	6/2007	Winters	D23/365	D806,847	S *	1/2018	Kim	D23/364
D548,826	S *	8/2007	Katta	D23/364	D810,908	S *	2/2018	Mork	D23/365
D605,274	S *	12/2009	Kawano	D23/365	D824,009	S *	7/2018	Kim	D23/365
D628,673	S *	12/2010	Dittmann	D23/209	D829,316	S *	9/2018	Kim	D23/365
D634,413	S *	3/2011	Wallace	D23/354	D829,317	S *	9/2018	Kim	D23/365
						D836,762	S *	12/2018	Kim	D23/365
						2006/0168925	A1 *	8/2006	Whittemore	B01D 46/0005
											55/490
						2012/0151889	A1 *	6/2012	Horey	B01D 46/009
											55/467

* cited by examiner

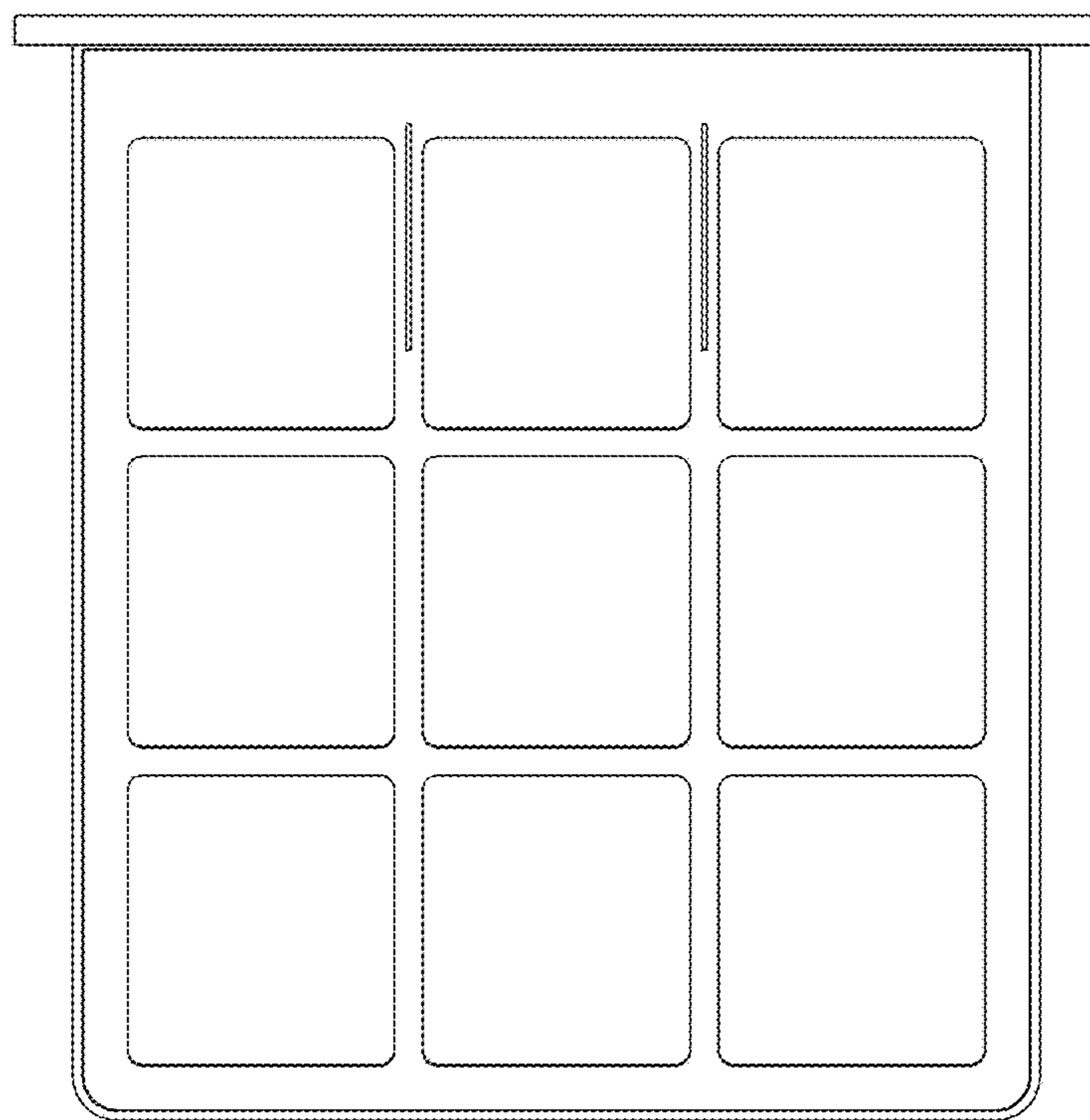
1.1



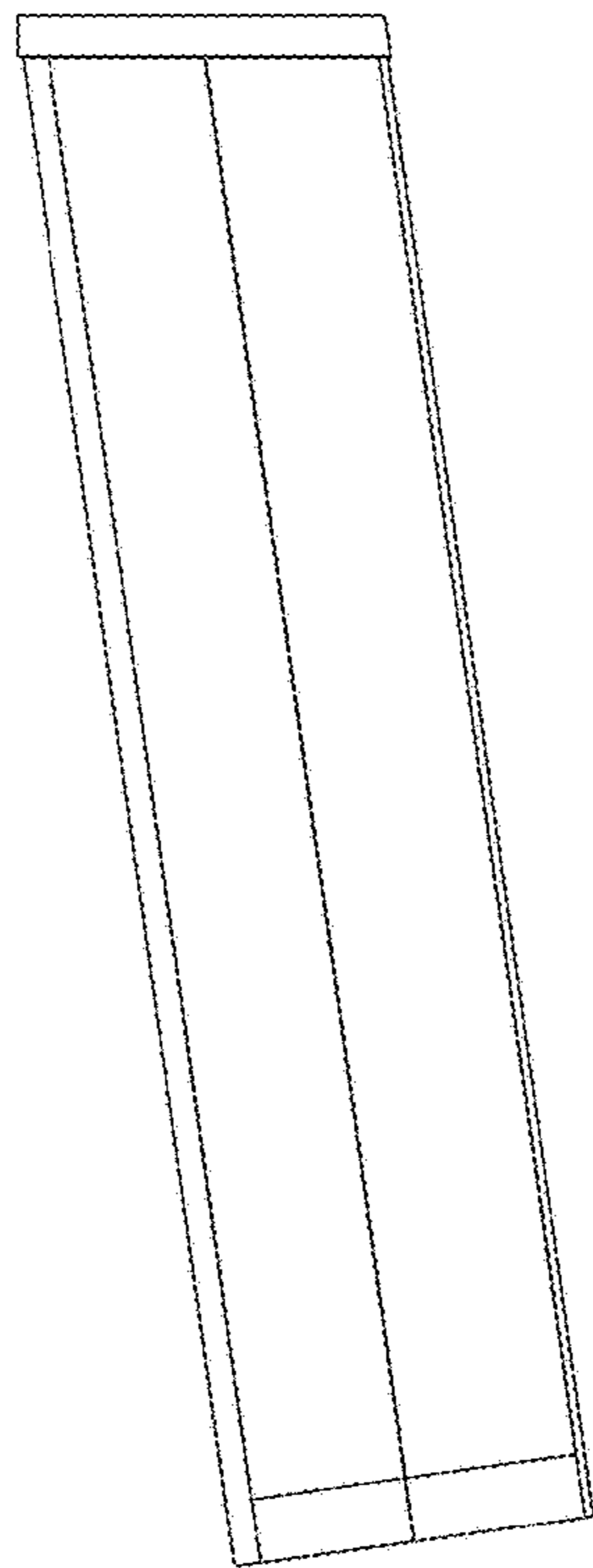
1.2



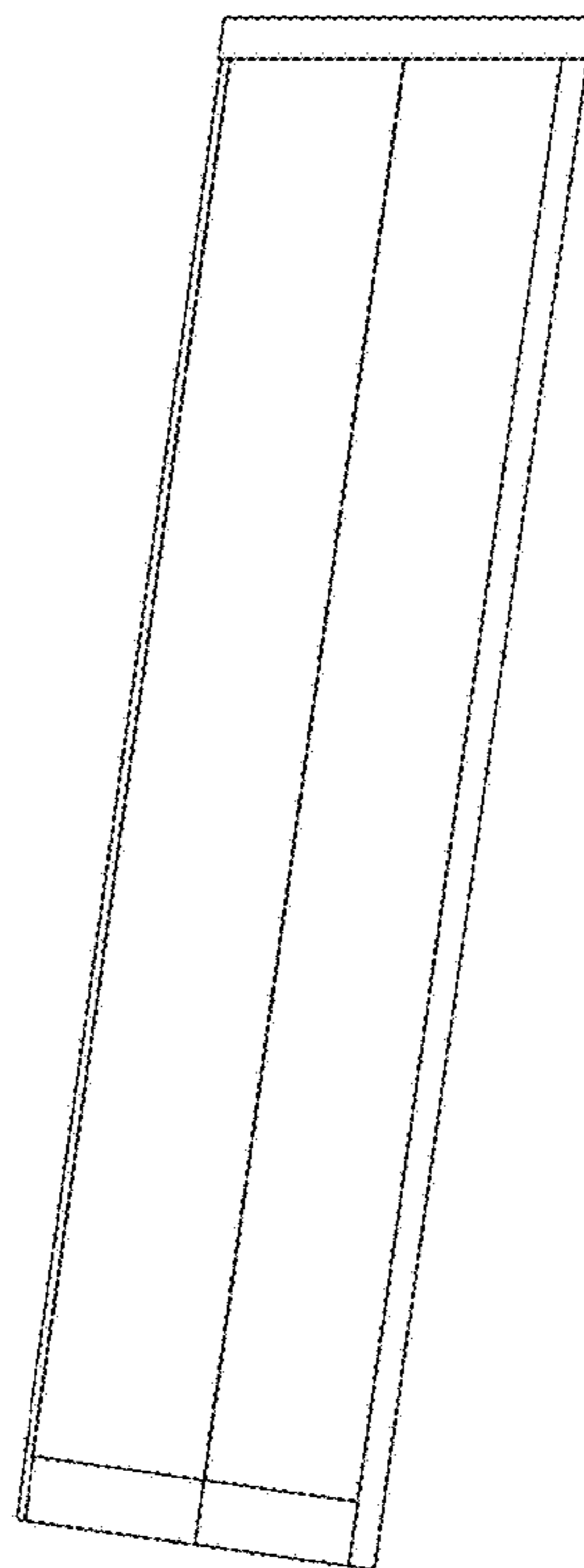
1.3



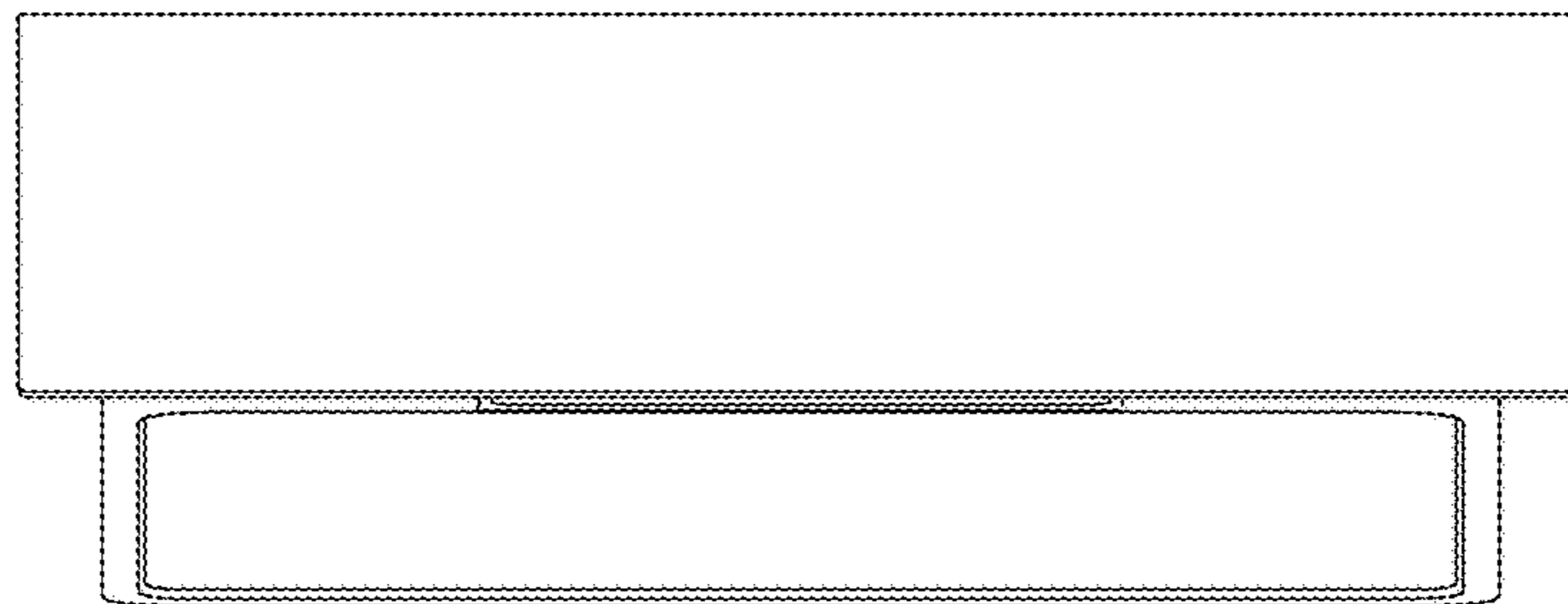
1.4



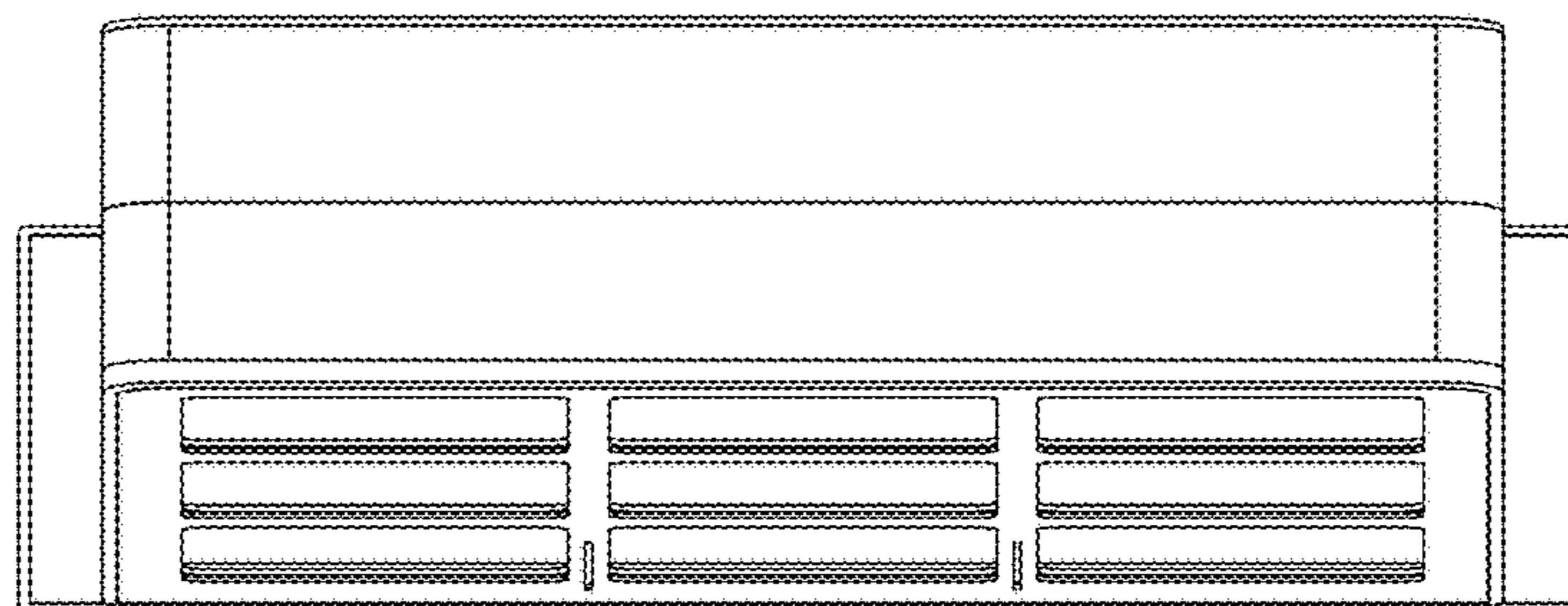
1.5



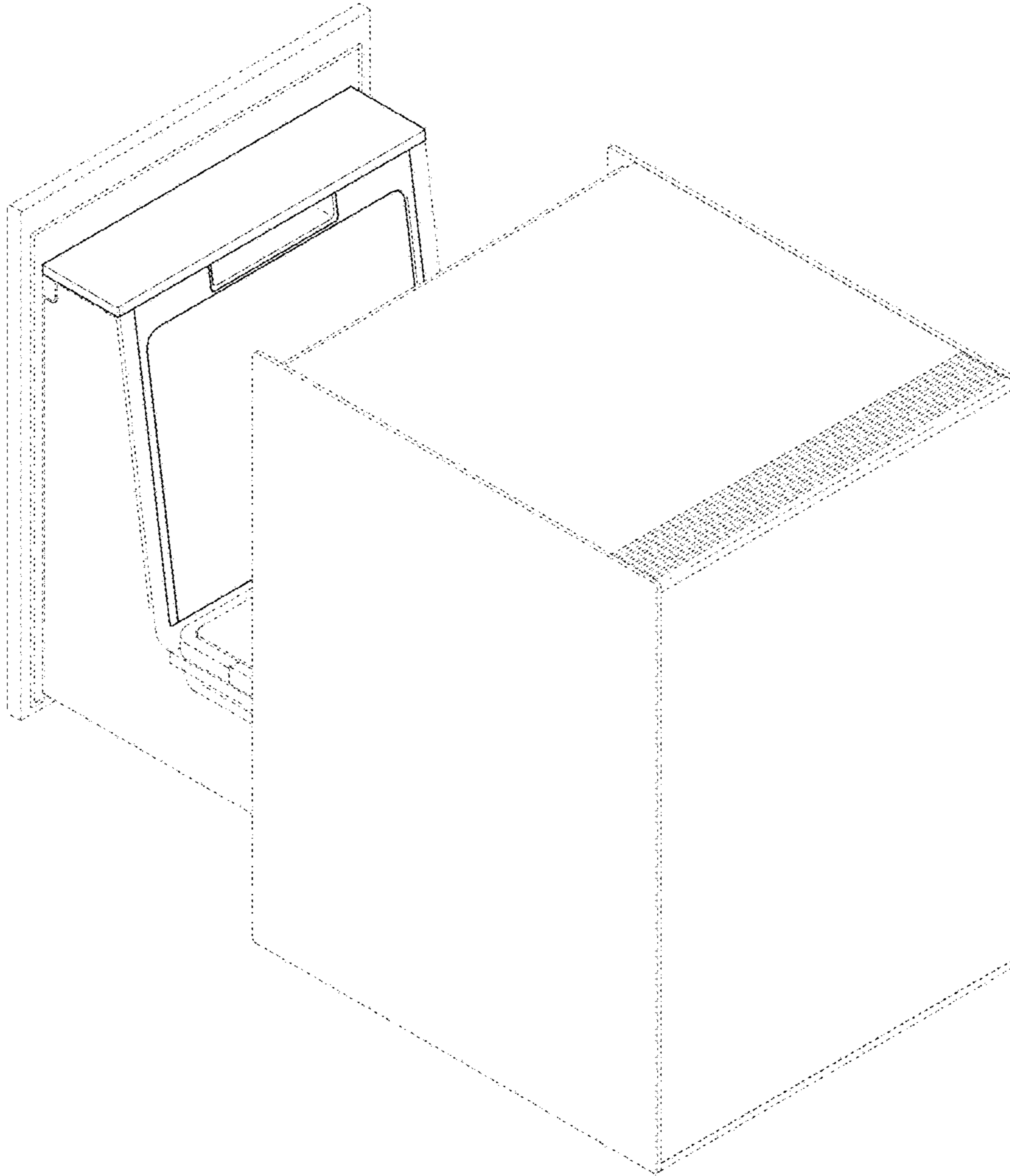
1.6



1.7



1.8



1.9

