



US00D858730S

(12) **United States Design Patent**  
**Hunter, III**

(10) **Patent No.:** **US D858,730 S**

(45) **Date of Patent:** **\*\* \*Sep. 3, 2019**

(54) **FIREPLACE**

(71) Applicant: **Scott Hunter, III**, Wichita Falls, TX  
(US)

(72) Inventor: **Scott Hunter, III**, Wichita Falls, TX  
(US)

(\*) Notice: This patent is subject to a terminal disclaimer.

(\*\*) Term: **15 Years**

(21) Appl. No.: **29/592,776**

(22) Filed: **Feb. 2, 2017**

(51) **LOC (12) Cl.** ..... **23-03**

(52) **U.S. Cl.**  
USPC ..... **D23/348**

(58) **Field of Classification Search**  
USPC ..... D23/314, 317, 332, 336, 342-350, 329;  
D7/332, 334-337, 339, 341  
CPC .... F24C 7/105; F24C 1/10; F24C 3/04; F24C  
7/065; F23D 14/12; F24H 3/00; A47J  
2037/0777; A47J 37/0763; F24B 3/00;  
F24B 1/195; F24B 1/00; F24B 13/00;  
F24B 1/18; F24B 13/004; F24B 1/192;  
F24B 1/181; F24B 1/182; F24B 1/1802  
See application file for complete search history.

(56) **References Cited**

**U.S. PATENT DOCUMENTS**

D178,649 S \* 9/1956 Cox ..... D23/348  
D193,823 S \* 10/1962 Hamilton, Jr. .... D23/348  
D196,217 S \* 9/1963 Yager ..... D23/348  
3,220,400 A 11/1965 Yager  
D204,968 S \* 5/1966 Lovett ..... D23/350  
D207,566 S \* 5/1967 Carsello ..... D23/350  
3,339,540 A \* 9/1967 Kreider ..... F24B 1/181  
126/500  
D209,255 S \* 11/1967 Sandiford ..... D23/348  
D210,375 S \* 3/1968 Volk ..... D23/348

D215,718 S \* 10/1969 Radeke ..... D23/348  
D218,901 S \* 10/1970 Punt ..... D23/343  
D228,187 S \* 8/1973 Damm ..... D23/350  
3,809,058 A 5/1974 Becker  
D236,347 S \* 8/1975 Crownover ..... D23/348

(Continued)

**FOREIGN PATENT DOCUMENTS**

WO 2009136180 11/2009

**OTHER PUBLICATIONS**

Cornwall, Stove and Wood burning stoves on Pinterest; <https://www.pinterest.com/pin/558798266242143586/>; Jan. 25, 2017.

(Continued)

*Primary Examiner* — T Chase Nelson

*Assistant Examiner* — Ania Aman

(74) *Attorney, Agent, or Firm* — Erickson Kernell IP, LLC; Mark C. Young

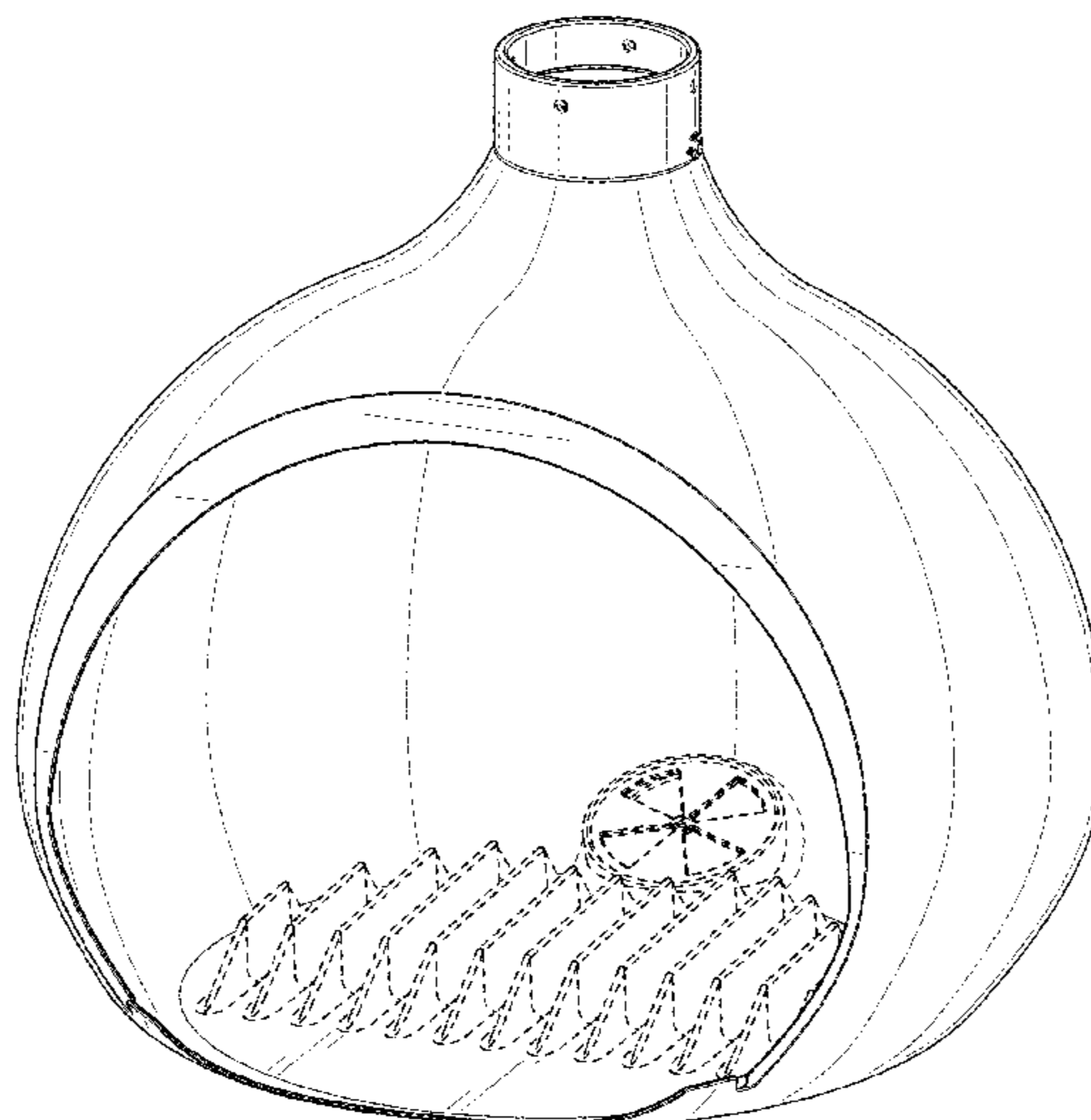
(57) **CLAIM**

The ornamental design for a fireplace, as shown and described.

**DESCRIPTION**

FIG. 1 is a front perspective view of the fireplace;  
FIG. 2 is a front elevation view of the fireplace of FIG. 1;  
FIG. 3 is a rear elevation view of the fireplace of FIG. 1;  
FIG. 4 is a left-side elevation view of the fireplace of FIG. 1;  
FIG. 5 is a right-side elevation view of the fireplace of FIG. 1;  
FIG. 6 is a top plan view of the fireplace of FIG. 1; and,  
FIG. 7 is a bottom plan view of the fireplace of FIG. 1.  
The broken line showing of a grate and ventilation opening is included for the purpose of illustrating the environment of the design and forms no part of the claimed design.

**1 Claim, 7 Drawing Sheets**



(56)

References Cited

U.S. PATENT DOCUMENTS

D237,083 S \* 10/1975 Chase ..... D23/348  
 3,910,251 A 10/1975 Andrew  
 D243,092 S \* 1/1977 Sheth ..... D23/348  
 4,112,913 A 9/1978 Shimek et al.  
 D250,596 S \* 12/1978 Jonas ..... D23/348  
 4,138,987 A \* 2/1979 Fromman ..... F24B 1/18  
 126/307 R  
 4,156,418 A 5/1979 Berg  
 4,167,177 A \* 9/1979 Wiggins ..... F24B 1/181  
 126/508  
 4,194,494 A \* 3/1980 Wagner ..... F24B 1/191  
 126/319  
 4,196,714 A \* 4/1980 Fromman ..... F24B 1/181  
 126/307 R  
 D256,500 S \* 8/1980 Johnson ..... D23/348  
 4,216,760 A \* 8/1980 Wiggins ..... F24B 1/181  
 126/508  
 4,252,105 A \* 2/1981 Johnson ..... F24B 1/1902  
 126/502

5,421,321 A 6/1995 Ward  
 6,178,965 B1 1/2001 Sulak  
 D442,268 S \* 5/2001 Weiss ..... D23/348  
 D469,861 S \* 2/2003 Garafolo ..... D23/348  
 6,892,505 B1 5/2005 Pingitore  
 D592,576 S \* 5/2009 Cheney ..... D12/194  
 D664,245 S \* 7/2012 Otero ..... D23/343  
 2012/0312205 A1 \* 12/2012 Meeker ..... F23M 5/00  
 110/321  
 2015/0308690 A1 10/2015 Barrett et al.

OTHER PUBLICATIONS

Malm Fireplaces ZIR30 Zircon 30" Freestanding Woodburning  
 Fireplace Unit with Black Base; <http://www.homeclick.com/malm-fireplaces-zir30-zircon-30-freestanding-woodburning-fireplace-unit-with-black-base/p-193942.aspx>; Jan. 25, 2017.  
 Freestanding Fireplaces; <http://www.wittus.com/2015/wpwoodfireplace.htm>; Jan. 25, 2017.

\* cited by examiner

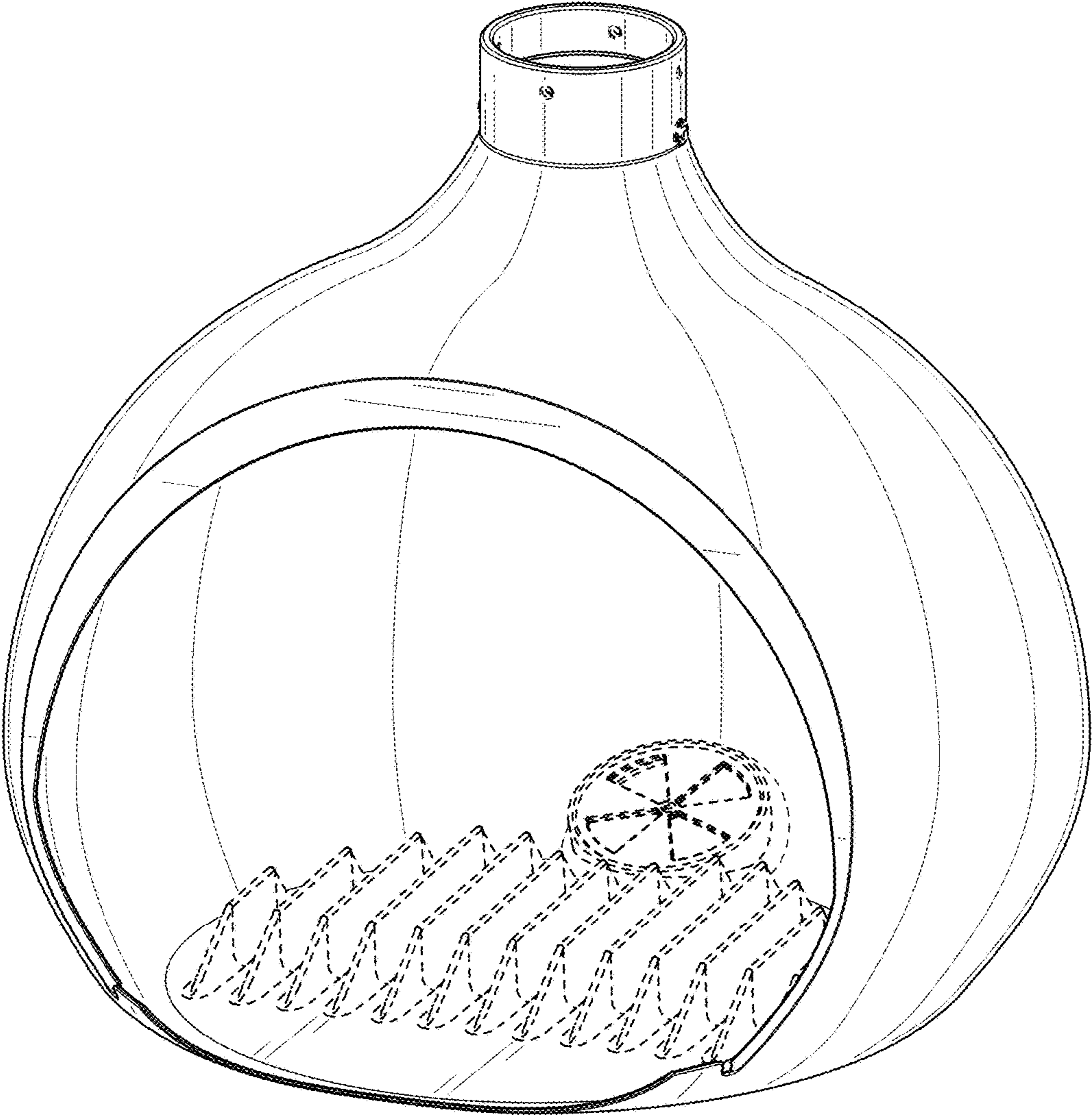


FIG. 1

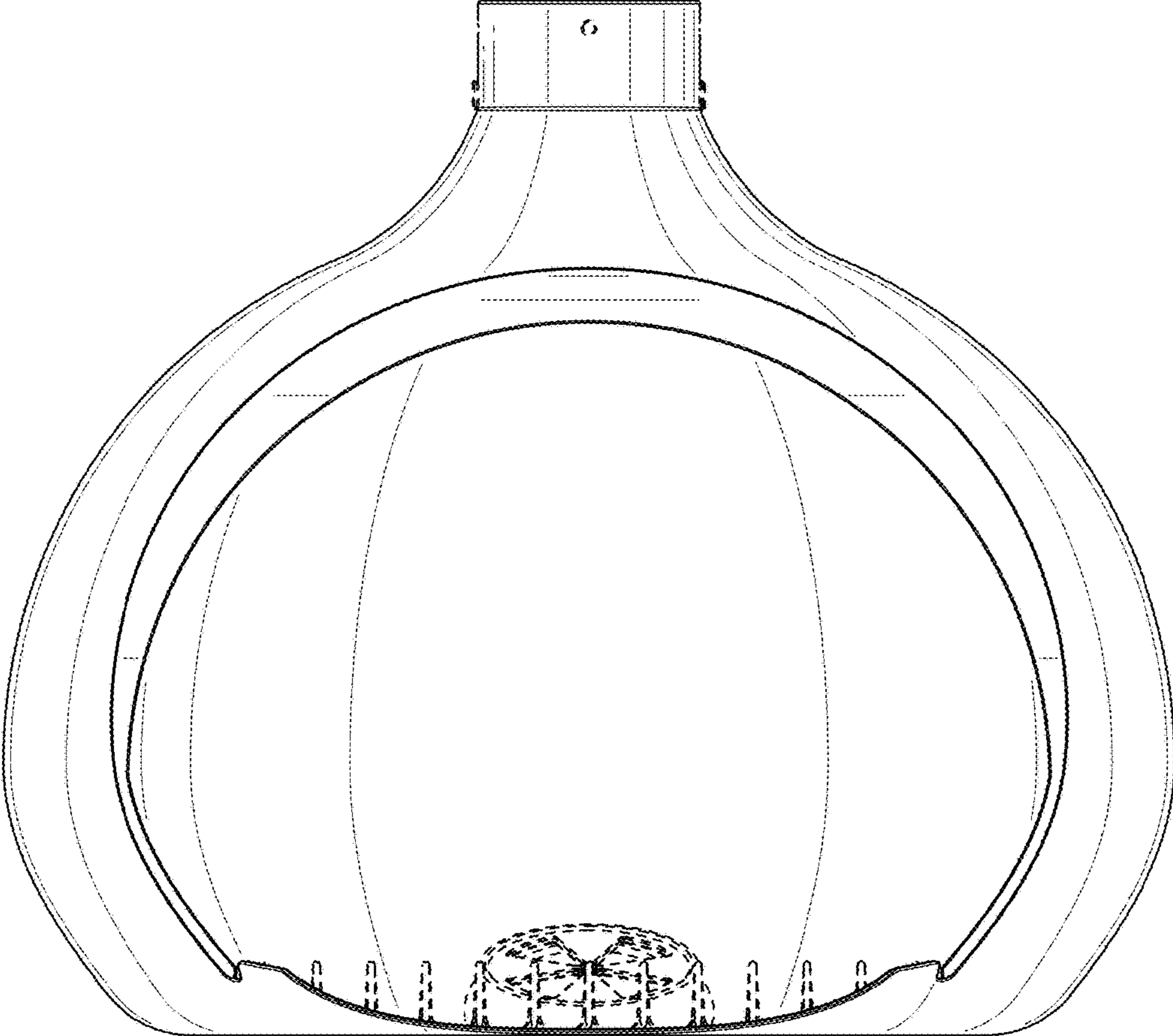


FIG. 2

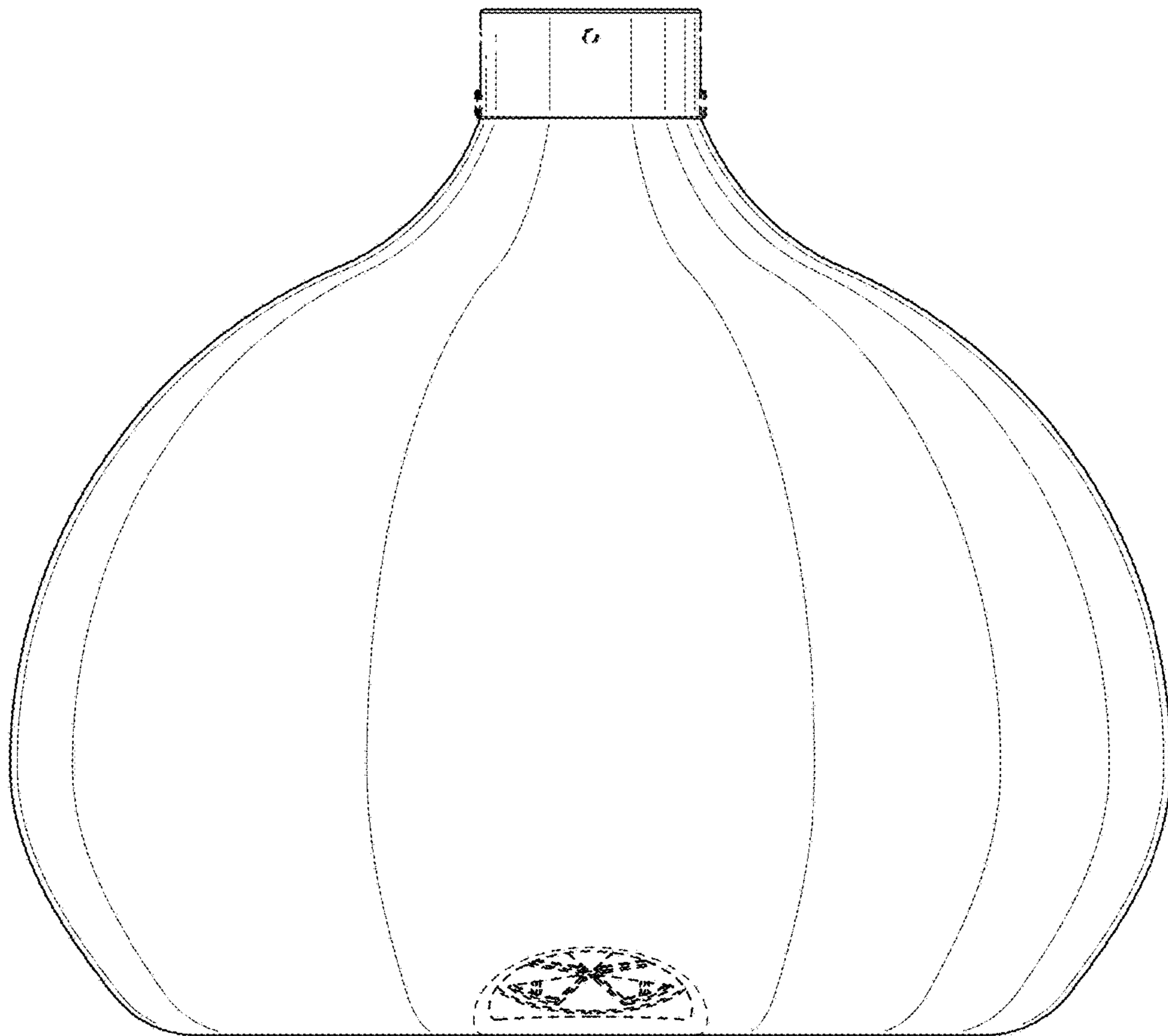


FIG. 3

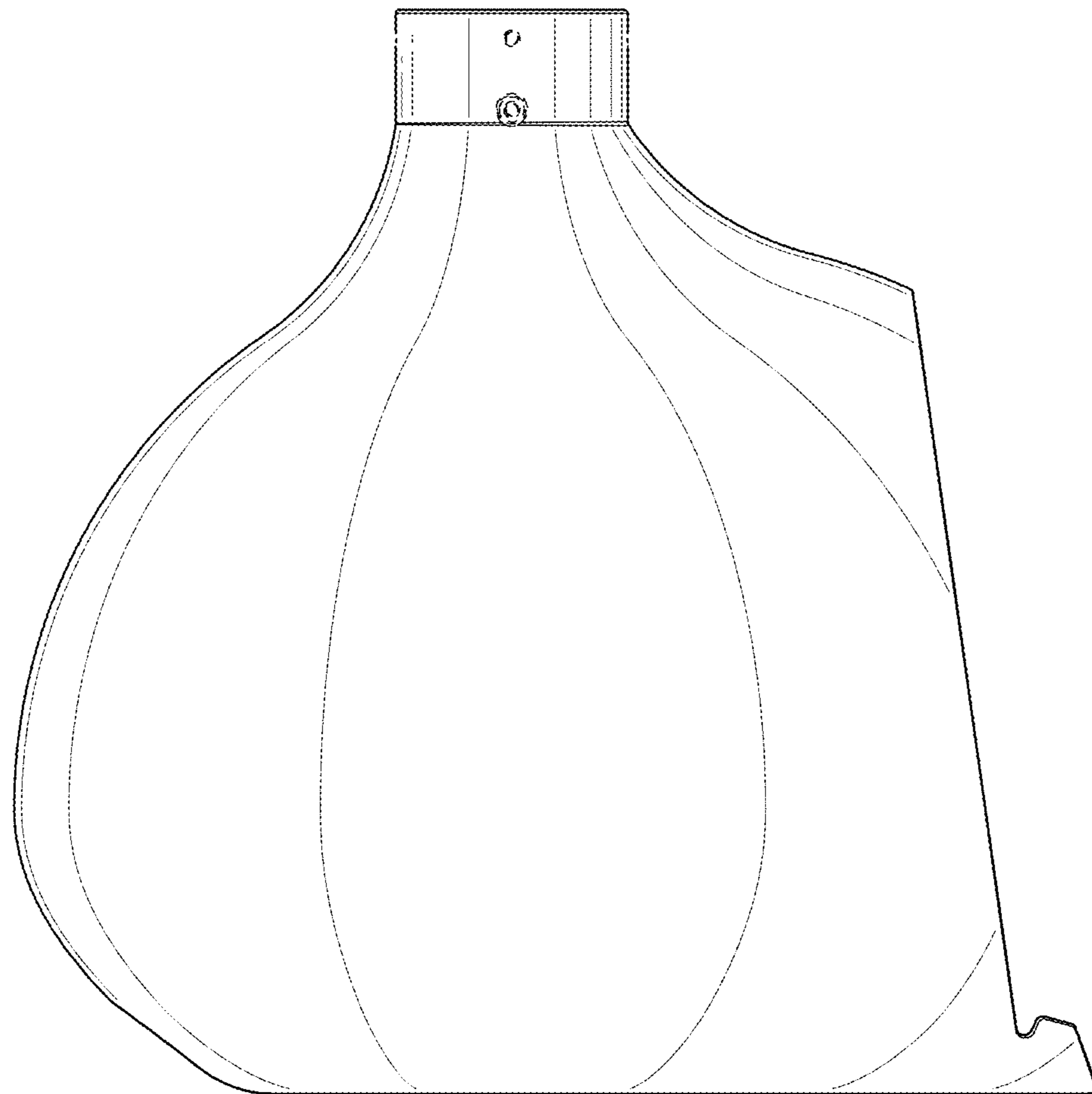


FIG. 4

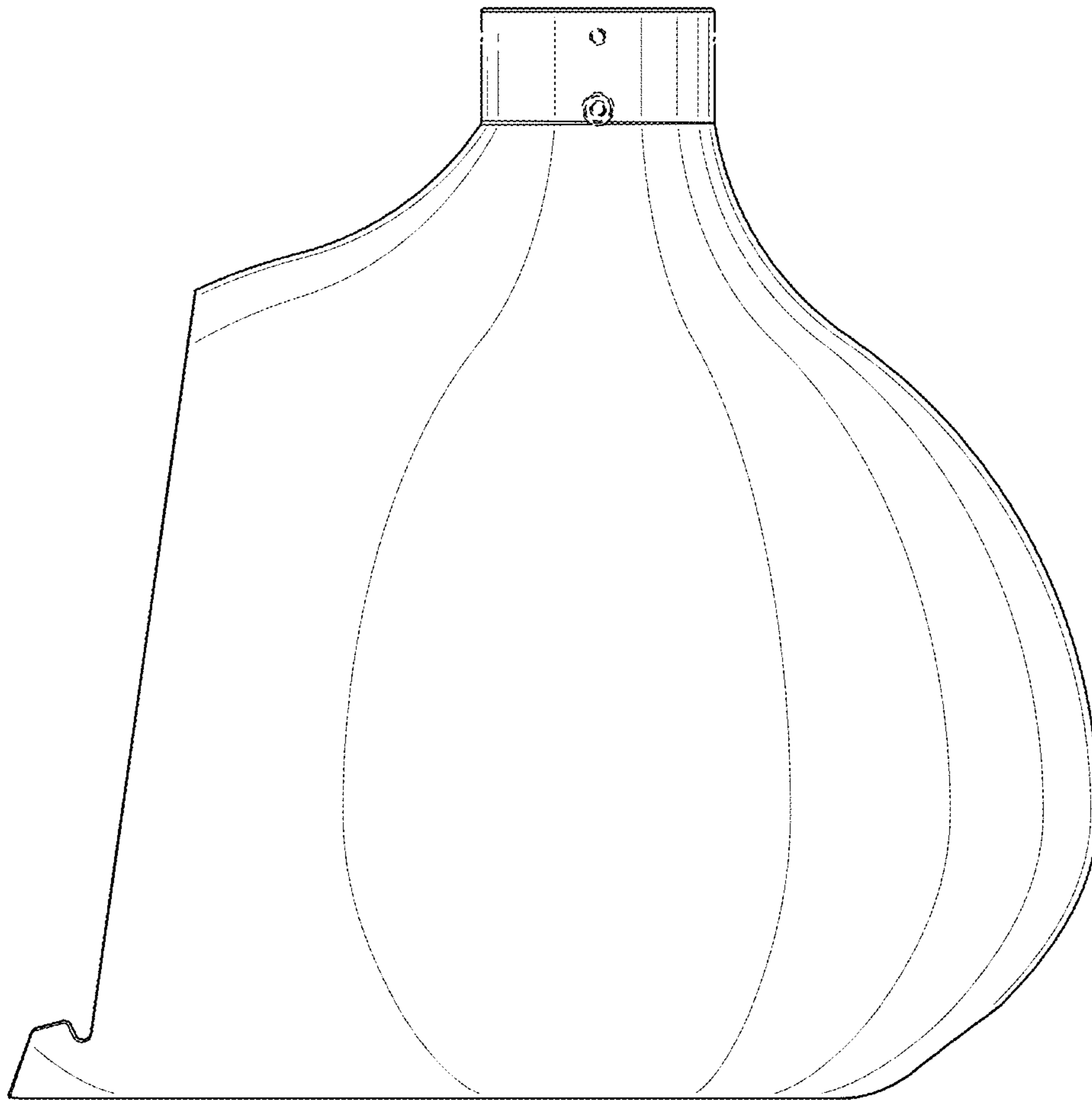


FIG. 5

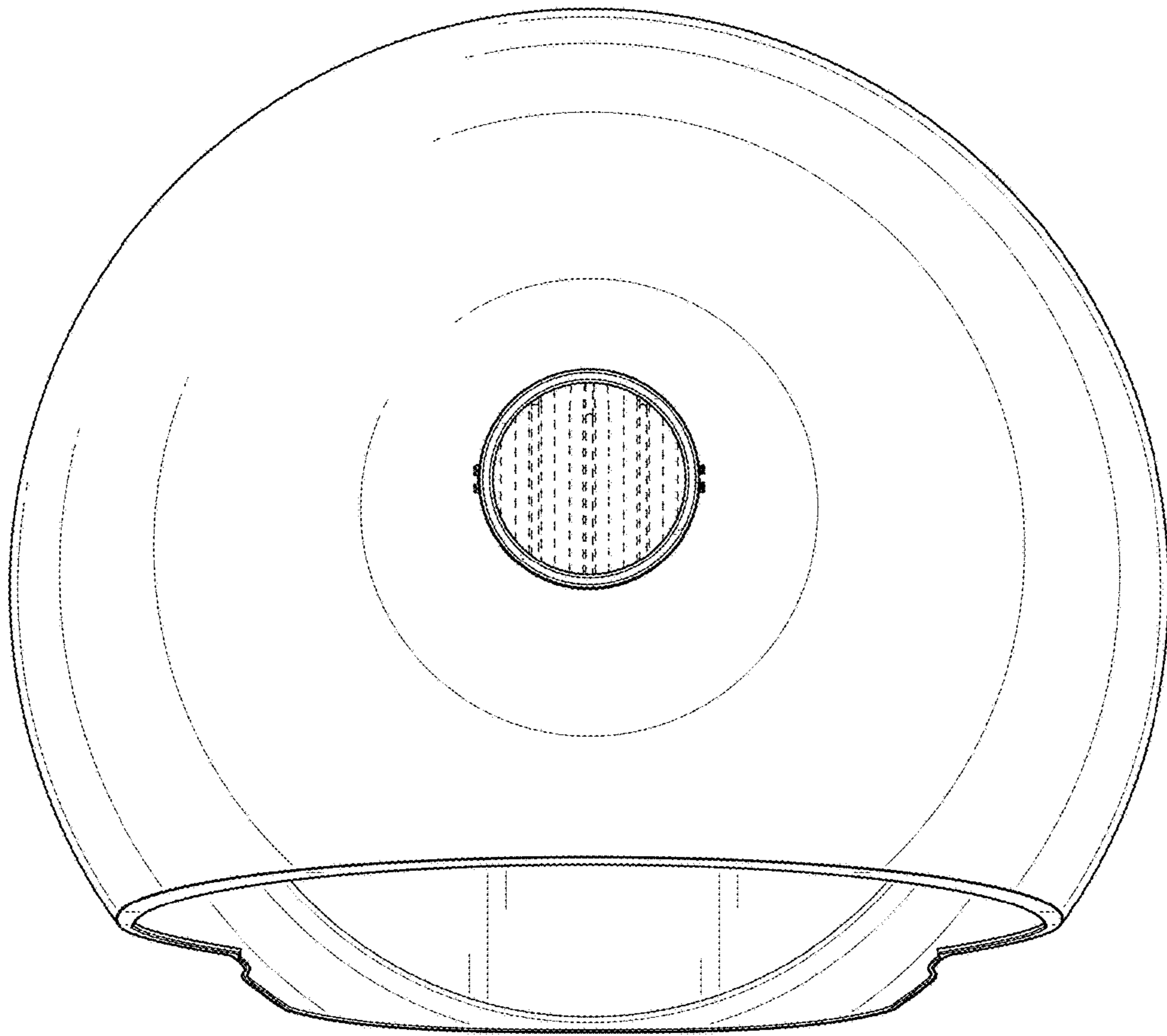


FIG. 6



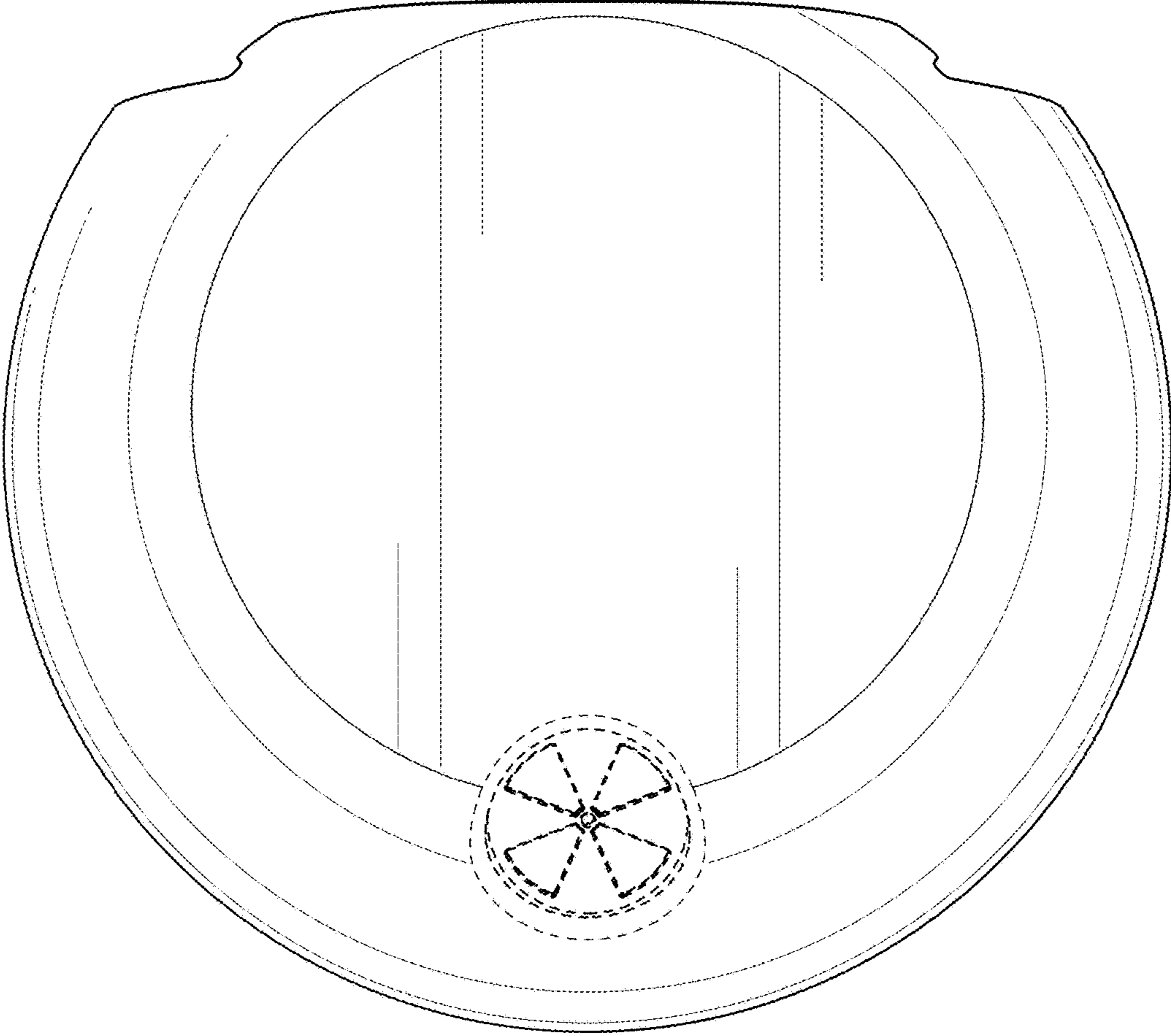


FIG. 7