



US00D858729S

(12) **United States Design Patent** (10) **Patent No.:** **US D858,729 S**  
**Scott** (45) **Date of Patent:** **\*\* Sep. 3, 2019**

(54) **FIRE PIT**  
(71) Applicant: **Pellet Fire Pit, LLC**, Webster City, IA (US)

D115,491 S \* 7/1939 Forster ..... D23/336  
2,722,883 A \* 11/1955 Rignell ..... A47J 37/0704  
126/25 R  
3,220,400 A 11/1965 Yager  
3,499,432 A \* 3/1970 Hannebaum ..... F24B 1/181  
126/519

(72) Inventor: **Monty Scott**, Webster City, IA (US)  
(73) Assignee: **Pellet Fire Pit, LLC**, Webster City, IA (US)

(Continued)

(\*\*) Term: **15 Years**

EP 0854324 1/1998  
EP 2318766 7/2009

(21) Appl. No.: **29/592,412**

OTHER PUBLICATIONS

(22) Filed: **Jan. 30, 2017**

Do It yourself Garage Creations, <http://doityourselfgaragecreations.blogspot.com/2010/10/creating-your-own-fire-pit.html>, 4 pages, Oct. 8, 2010.

**Related U.S. Application Data**

(Continued)

(63) Continuation-in-part of application No. 14/187,458, filed on Feb. 24, 2014.

(51) **LOC (12) Cl.** ..... **23-03**

*Primary Examiner* — Michelle E. Wilson

(52) **U.S. Cl.**

*Assistant Examiner* — Ania Aman

USPC ..... **D23/348**

(74) *Attorney, Agent, or Firm* — Brick Gentry PC; Brian J. Laurenzo; Jessica L. Susie

(58) **Field of Classification Search**

USPC ..... D23/332, 314, 343, 348, 350, 346;  
D7/332–337, 402–405, 352

CPC ..... F24C 1/16; F24C 5/00; F24C 3/14; A47J 33/00; A47J 37/0763; A47J 37/07; F24B 1/18; F24B 1/182; F24B 1/1808; F24B 1/181; F24B 1/195; F24B 1/191

See application file for complete search history.

(57) **CLAIM**

The ornamental design for a fire pit, as shown and described.

(56) **References Cited**

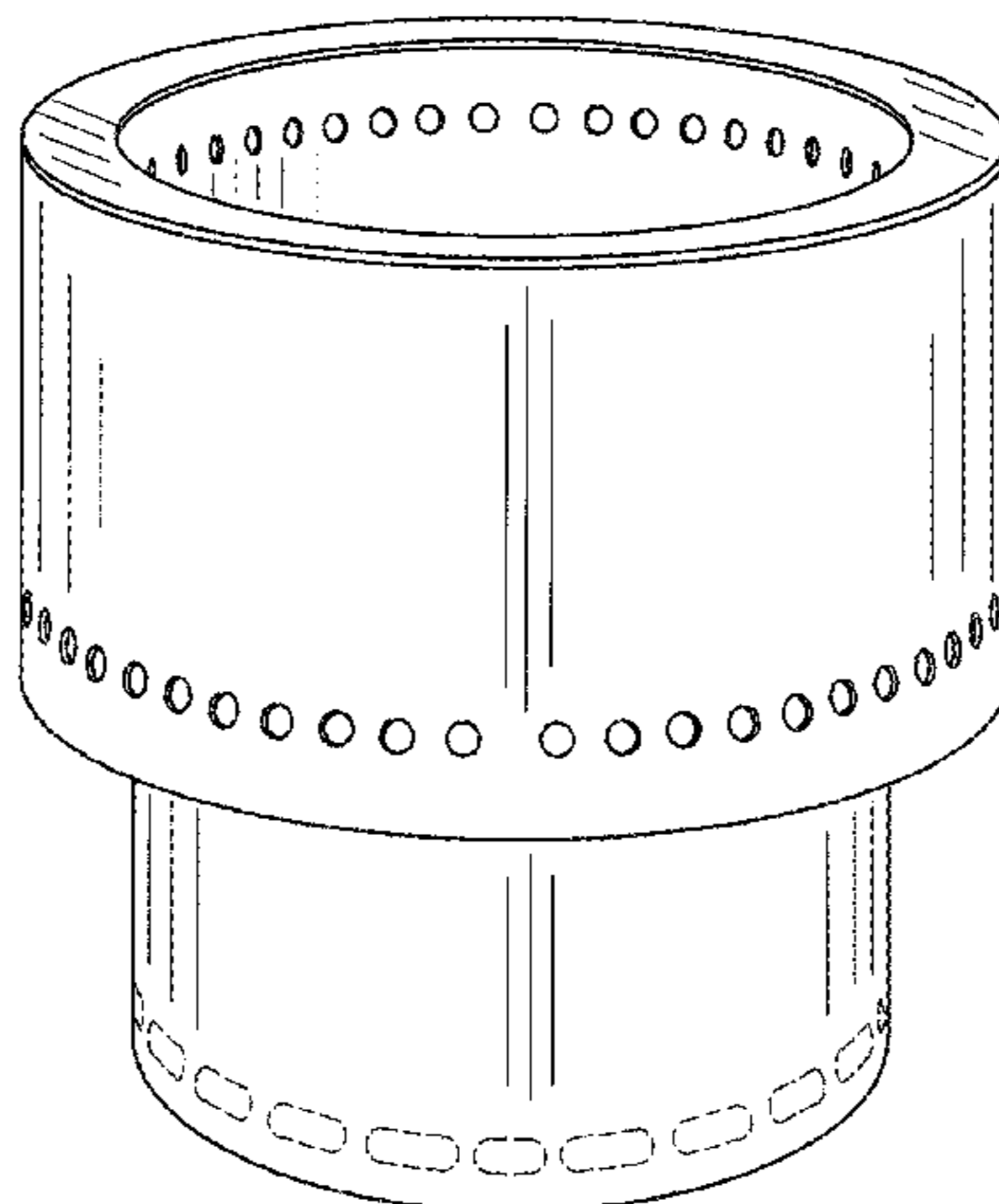
**DESCRIPTION**

**U.S. PATENT DOCUMENTS**

904,188 A \* 11/1908 Engle ..... F24C 3/002  
126/85 R  
1,009,027 A \* 11/1911 Troutman ..... A01G 13/06  
431/342  
D74,996 S \* 4/1928 Wolcott ..... D23/336  
1,694,175 A \* 12/1928 Hauser ..... F24H 3/002  
126/90 A  
1,996,349 A 4/1935 Ross

FIG. 1 is a perspective view of the fire pit.  
FIG. 2 is another perspective view of the fire pit of FIG. 1.  
FIG. 3 is a top view.  
FIG. 4 is a front view.  
FIG. 5 is a cross-sectional view taken along the line 4-4 of FIG. 4; and,  
FIG. 6 is a bottom view.  
The broken line shown in the drawings are for the purpose of illustrating portions of the article and form no part of the claimed design.

**1 Claim, 4 Drawing Sheets**



(56)

References Cited

U.S. PATENT DOCUMENTS

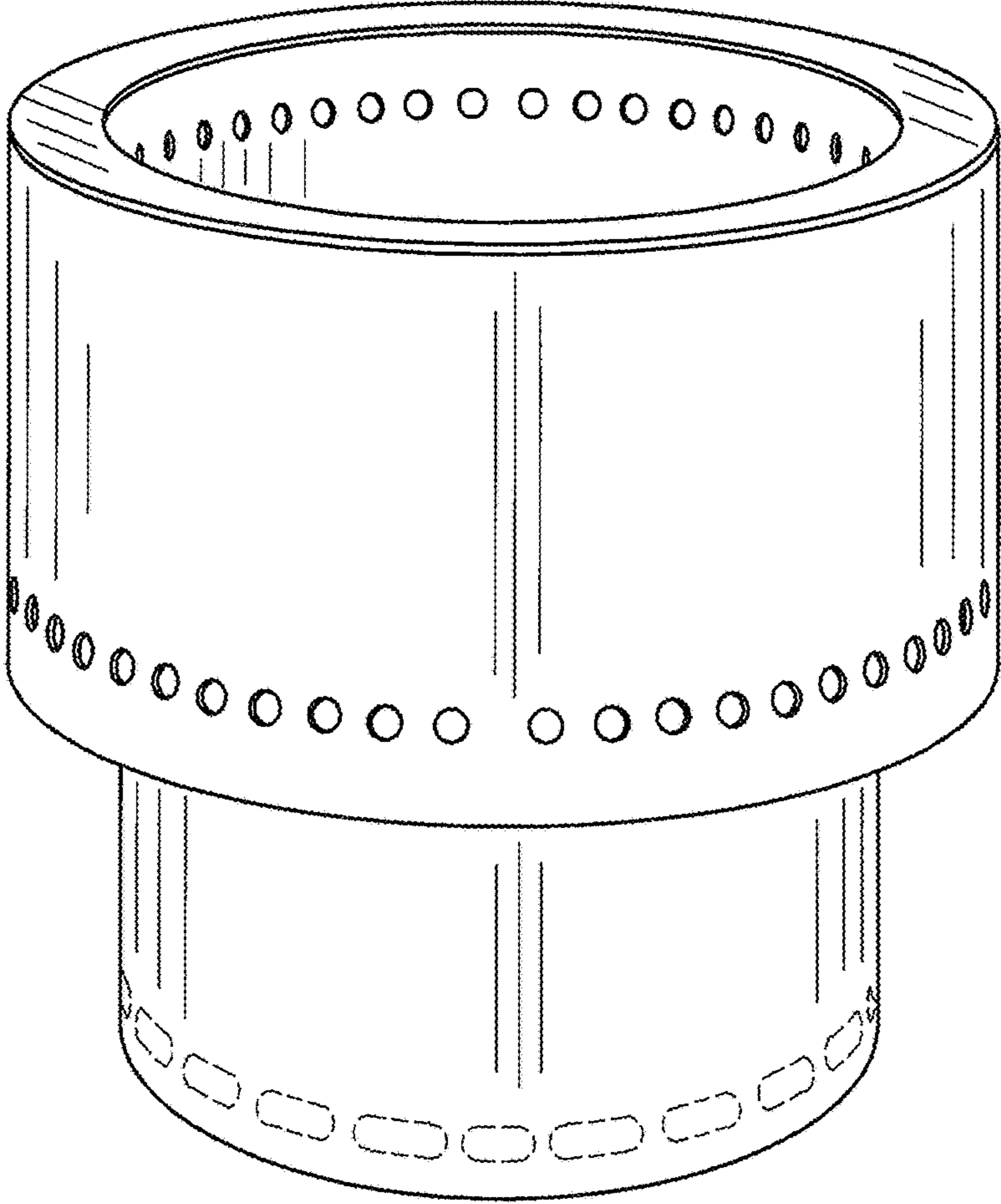
3,765,397 A 10/1973 Henderson  
 3,790,081 A \* 2/1974 Thornton ..... A01M 1/2055  
 D239,028 S \* 3/1976 Weber et al. .... D23/348  
 D273,264 S \* 4/1984 Elliston ..... D7/332  
 4,471,751 A 9/1984 Hottenroth  
 4,667,651 A 5/1987 Groeneweg  
 4,903,683 A \* 2/1990 Larsen ..... A47J 37/0713  
 126/25 B  
 5,094,223 A 3/1992 Gonzalez  
 5,133,266 A 7/1992 Cullen  
 D358,204 S \* 5/1995 Ferrier ..... D23/314  
 5,596,980 A 1/1997 Whalen et al.  
 5,651,356 A \* 7/1997 Kaines ..... A47J 27/026  
 126/204  
 5,873,356 A 2/1999 Vossler  
 6,336,449 B1 1/2002 Drisdelle et al.  
 7,383,836 B2 6/2008 Klemming

D701,721 S 4/2014 Jan  
 D734,975 S 7/2015 Troyer, Jr.  
 2002/0040644 A1 4/2002 McLemore et al.  
 2004/0123857 A1\* 7/2004 Viraldo ..... A47J 37/0704  
 126/9 R  
 2007/0137632 A1 6/2007 Traeger et al.  
 2007/0272229 A1 11/2007 Becker et al.  
 2012/0145139 A1 6/2012 Deeds  
 2012/0196232 A1 8/2012 Miller

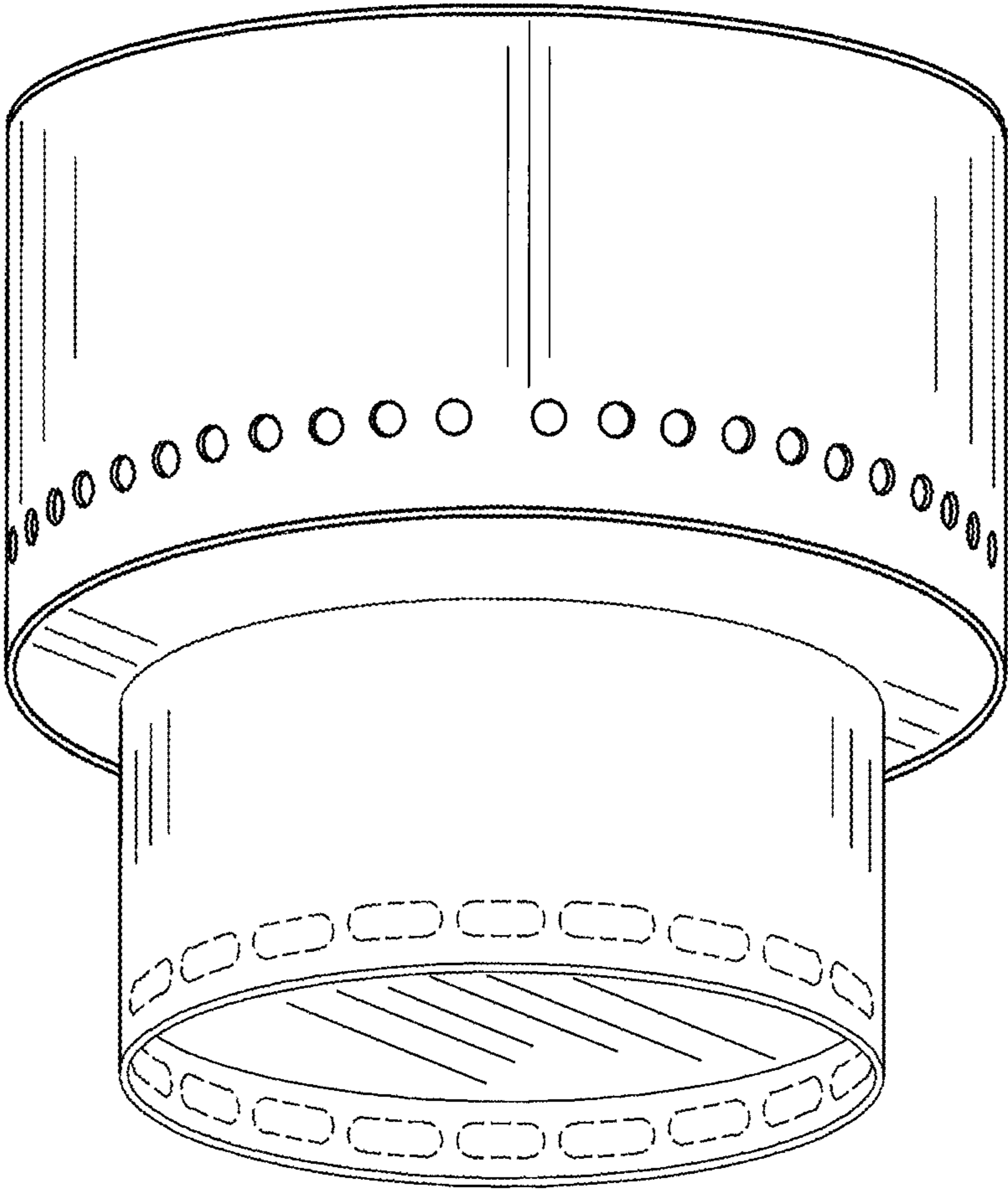
OTHER PUBLICATIONS

Victorian Fireplace Shop, Pellet Burning Fire Pit, <http://www.gascoals.com/Home/ACCESSORIES/PelletFirePit.aspx>, 4 pages, Dec. 2012.  
 Pilot Rock, Double Walled Firering, Model FSDW-30/18/TB accessible campfire ring, [http://www.pilotrock.com/campfire\\_rings/double\\_walled\\_firering.htm](http://www.pilotrock.com/campfire_rings/double_walled_firering.htm), 3 pages, 1996.

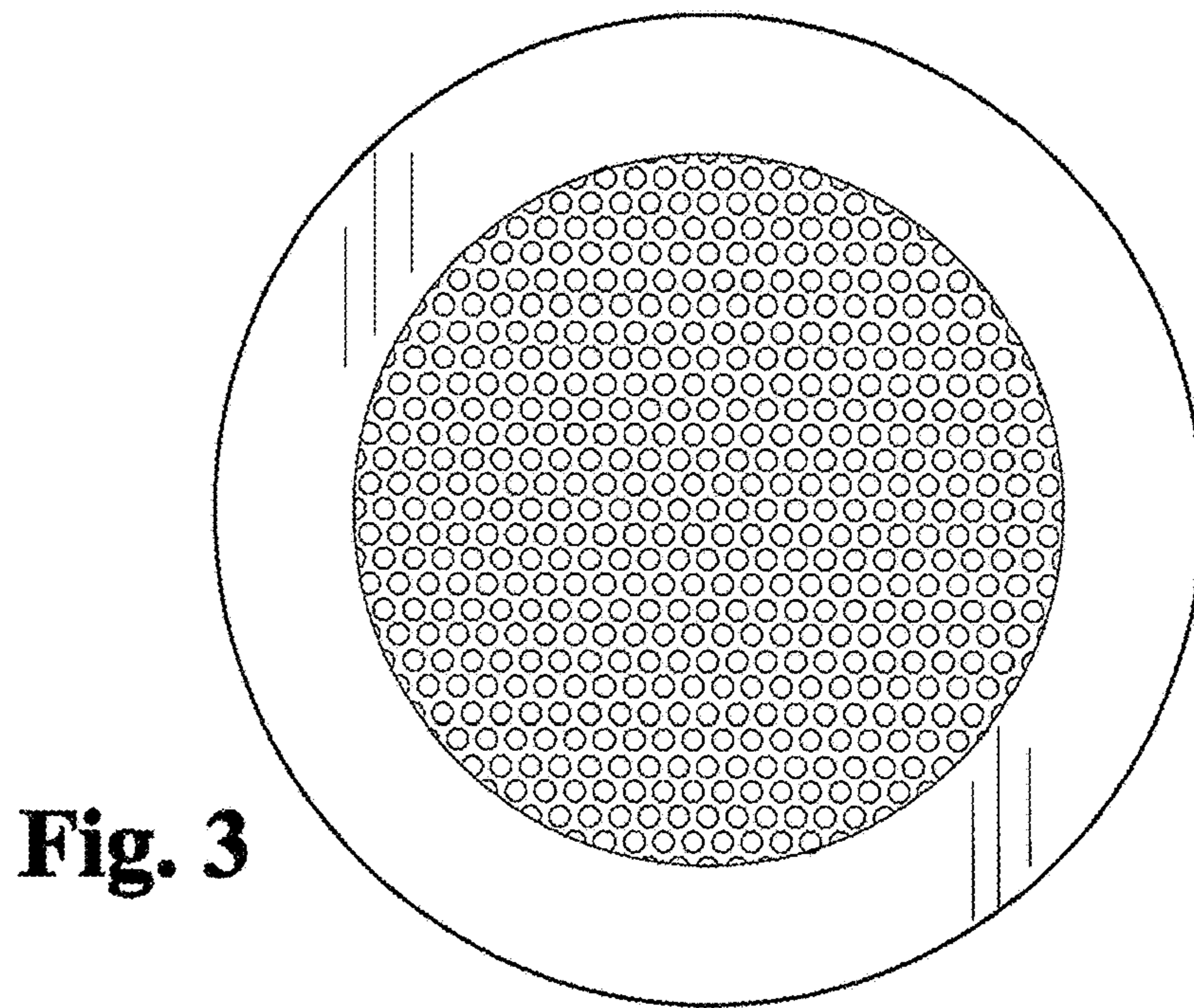
\* cited by examiner



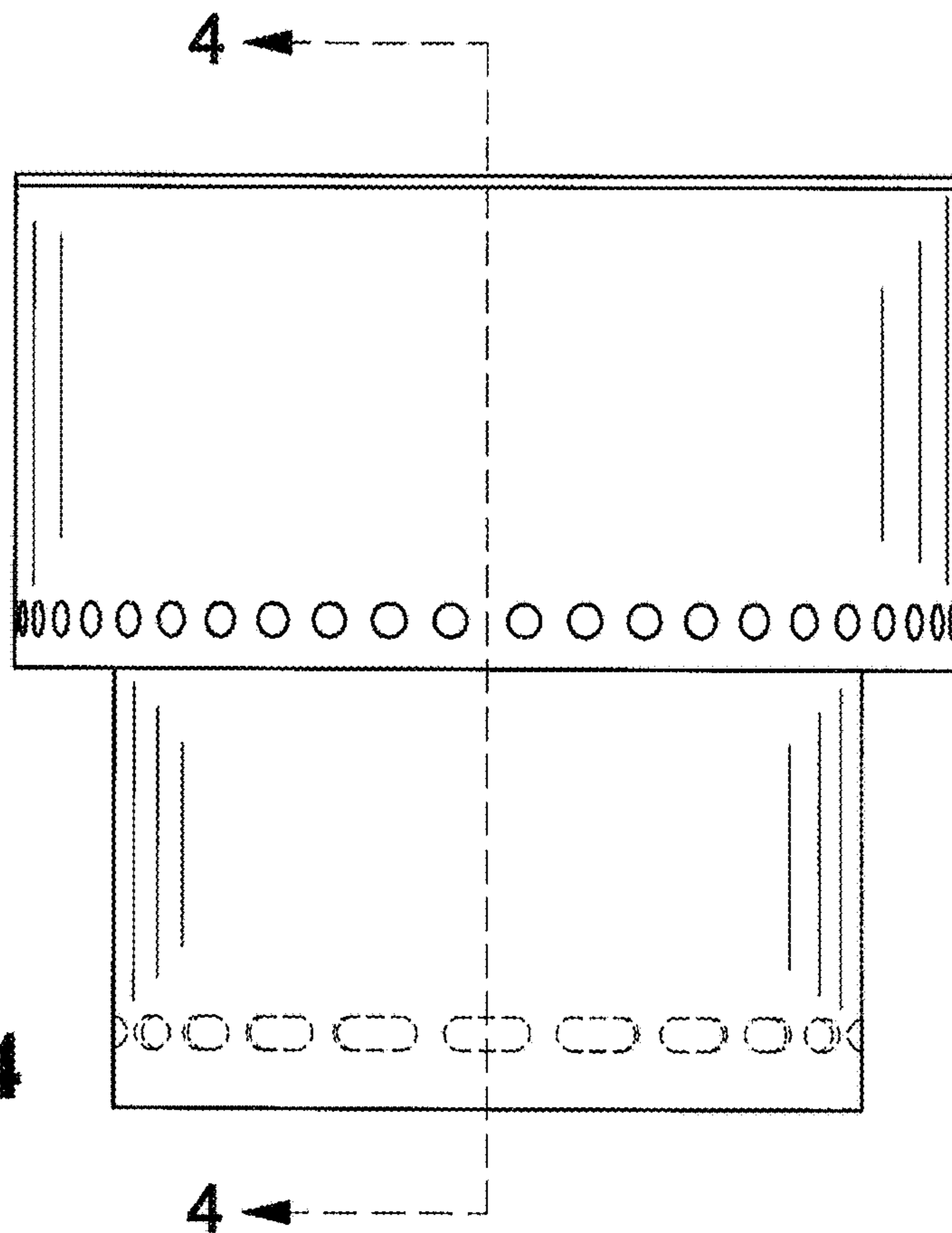
**Fig. 1**



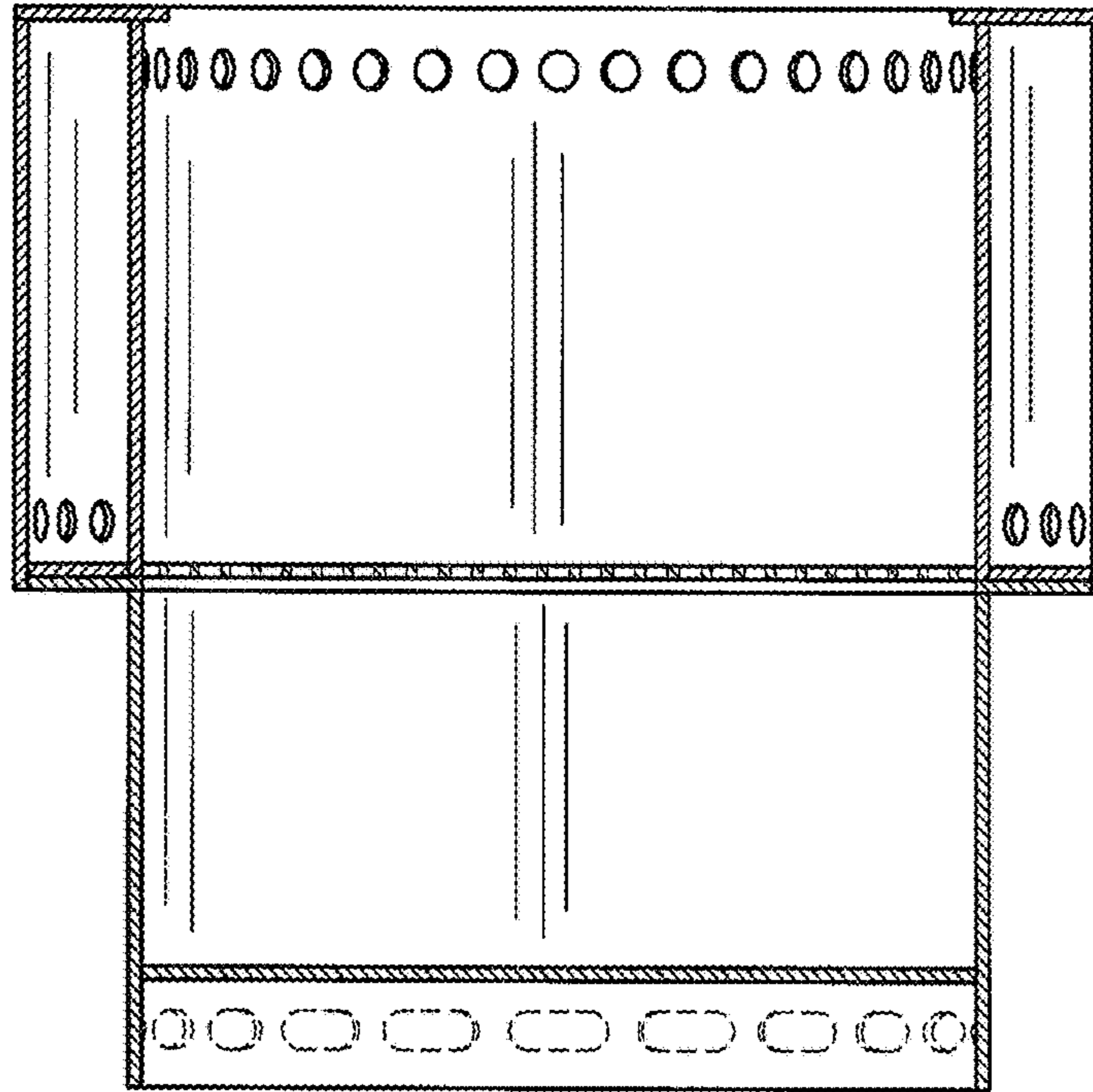
**Fig. 2**



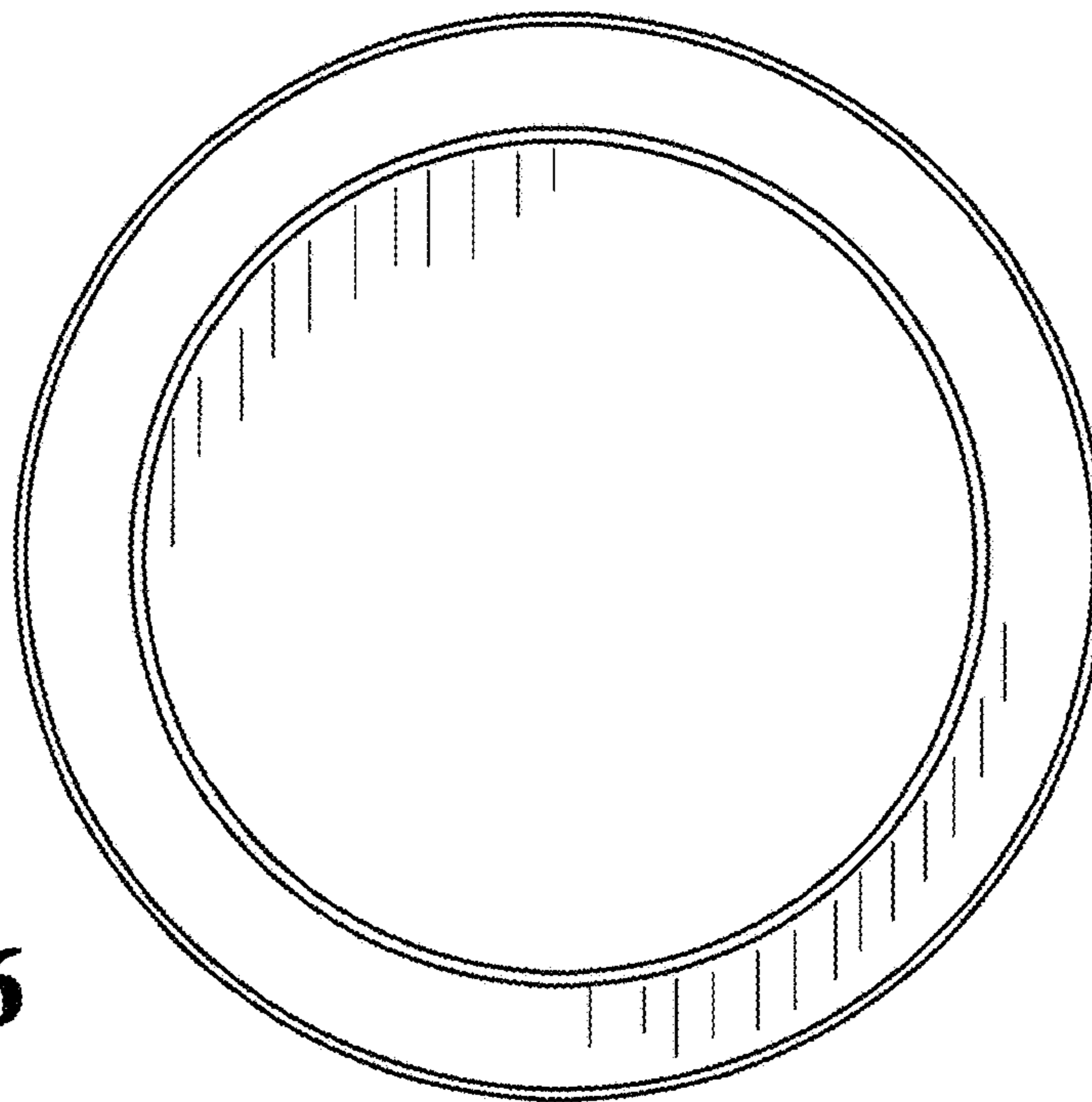
**Fig. 3**



**Fig. 4**



**Fig. 5**



**Fig. 6**