



US00D858728S

(12) **United States Design Patent** (10) **Patent No.:** **US D858,728 S**
Meng (45) **Date of Patent:** **** Sep. 3, 2019**

(54) **TURBO HEATER**

(56) **References Cited**

(71) Applicants: **GD MIDEA ENVIRONMENT APPLIANCES MFG CO., LTD.,**
Dongfeng Zhongshan (CN); **MIDEA GROUP CO., LTD.,** Foshan (CN)

U.S. PATENT DOCUMENTS

D167,903	S	*	10/1952	Lautner	D23/336
D324,907	S	*	3/1992	Cook	D23/328
D384,733	S	*	10/1997	Jane	D23/328
D422,067	S	*	3/2000	Lee	D23/336
D467,326	S	*	12/2002	Shapiro	D23/336
D688,781	S	*	8/2013	Vallinan	D23/355

(72) Inventor: **Yilang Meng,** Foshan (CN)

(73) Assignees: **GD MIDEA ENVIRONMENT APPLIANCES MFG CO., LTD.,**
Zhongshan (CN); **MIDEA GROUP CO., LTD.,** Foshan (CN)

OTHER PUBLICATIONS

Amazon PELONIS PSH750S Space Heater May 22, 2019 https://www.amazon.com/PELONIS-PSH750S-Circulator-Electronic-Adjustable/dp/B07HGQKY3S/ref=sr_1_7?keywords=turbo+fan+heater&qid=1558544919&s=gateway&sr=8-7.*

(**) Term: **15 Years**

* cited by examiner

(21) Appl. No.: **29/646,218**

Primary Examiner — T Chase Nelson

(22) Filed: **May 2, 2018**

Assistant Examiner — Ania Aman

(30) **Foreign Application Priority Data**

(74) *Attorney, Agent, or Firm* — Kilpatrick Townsend & Stockton LLP

Jan. 13, 2018 (CN) 2018 3 0015906

(51) **LOC (12) Cl.** **23-03**

(57) **CLAIM**

The ornamental design of a turbo heater or portion thereof, as shown and described.

(52) **U.S. Cl.**
USPC **D23/335**

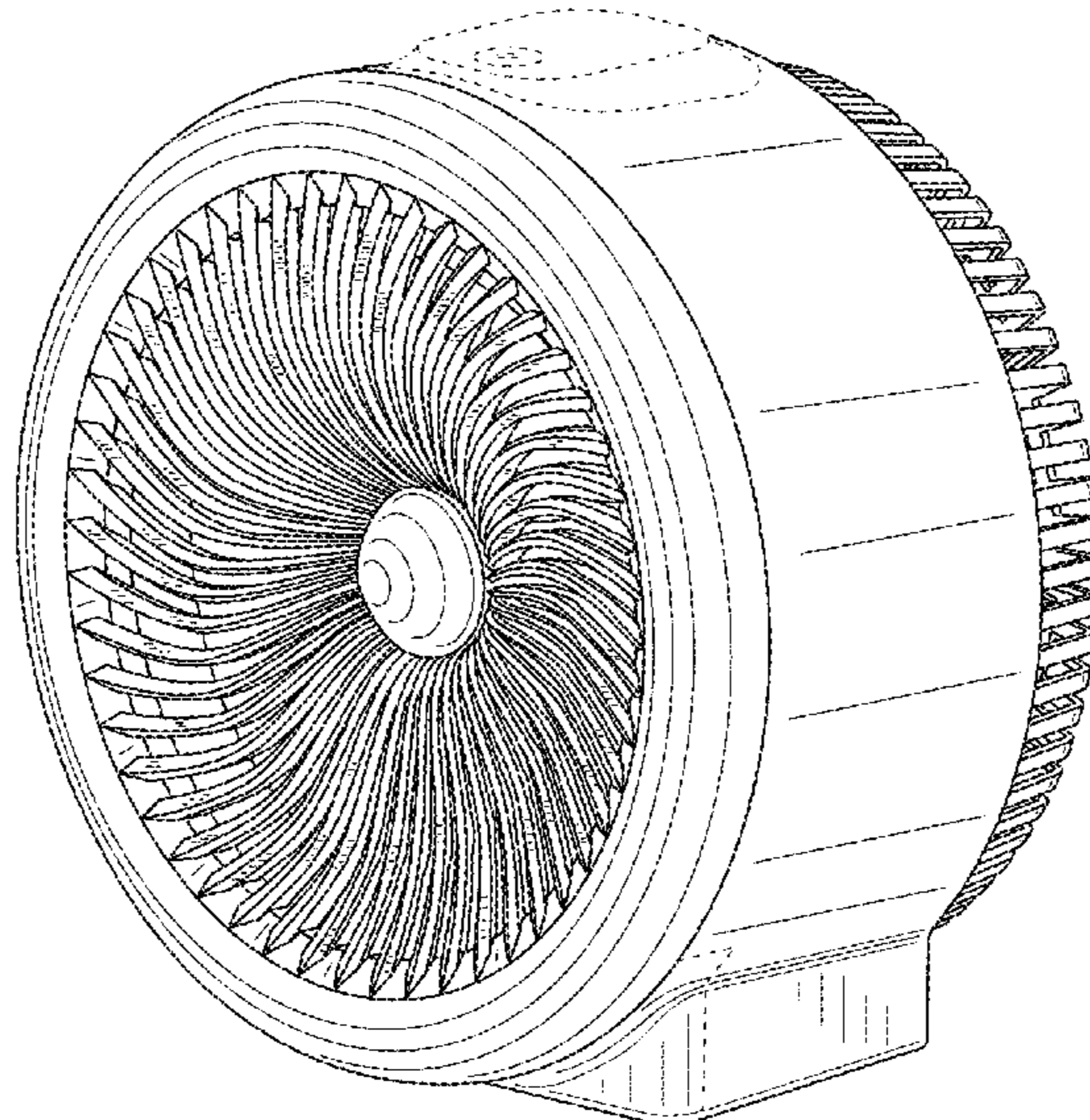
DESCRIPTION

(58) **Field of Classification Search**
USPC D23/314, 317, 318, 324, 325, 327, 329,
D23/332, 333, 334, 335, 336, 337, 338,
D23/339, 340, 341, 342, 351, 355, 356,
D23/359, 360, 364, 366
CPC F24F 6/00; F24F 2006/008; F24F 6/02;
F24F 6/12; F24F 5/0035; F24H 9/2071;
F24H 9/0052; F24H 9/02; F24H 3/006;
F24H 3/002; F24H 3/00; F24H 3/02;
F24H 3/022; F24H 3/0411; F24H 3/0417;
F24D 19/06

FIG. 1 is a perspective view of a turbo heater, showing our new design;
FIG. 2 is a front elevation view thereof;
FIG. 3 is a rear elevation view thereof;
FIG. 4 is a right side elevation view thereof;
FIG. 5 is a left side elevation view thereof;
FIG. 6 is a top plan view thereof; and,
FIG. 7 is a bottom plan view thereof.
The broken line shown in the drawings are for the purpose of illustrating portions of the article that form no part of the claimed design.

See application file for complete search history.

1 Claim, 7 Drawing Sheets



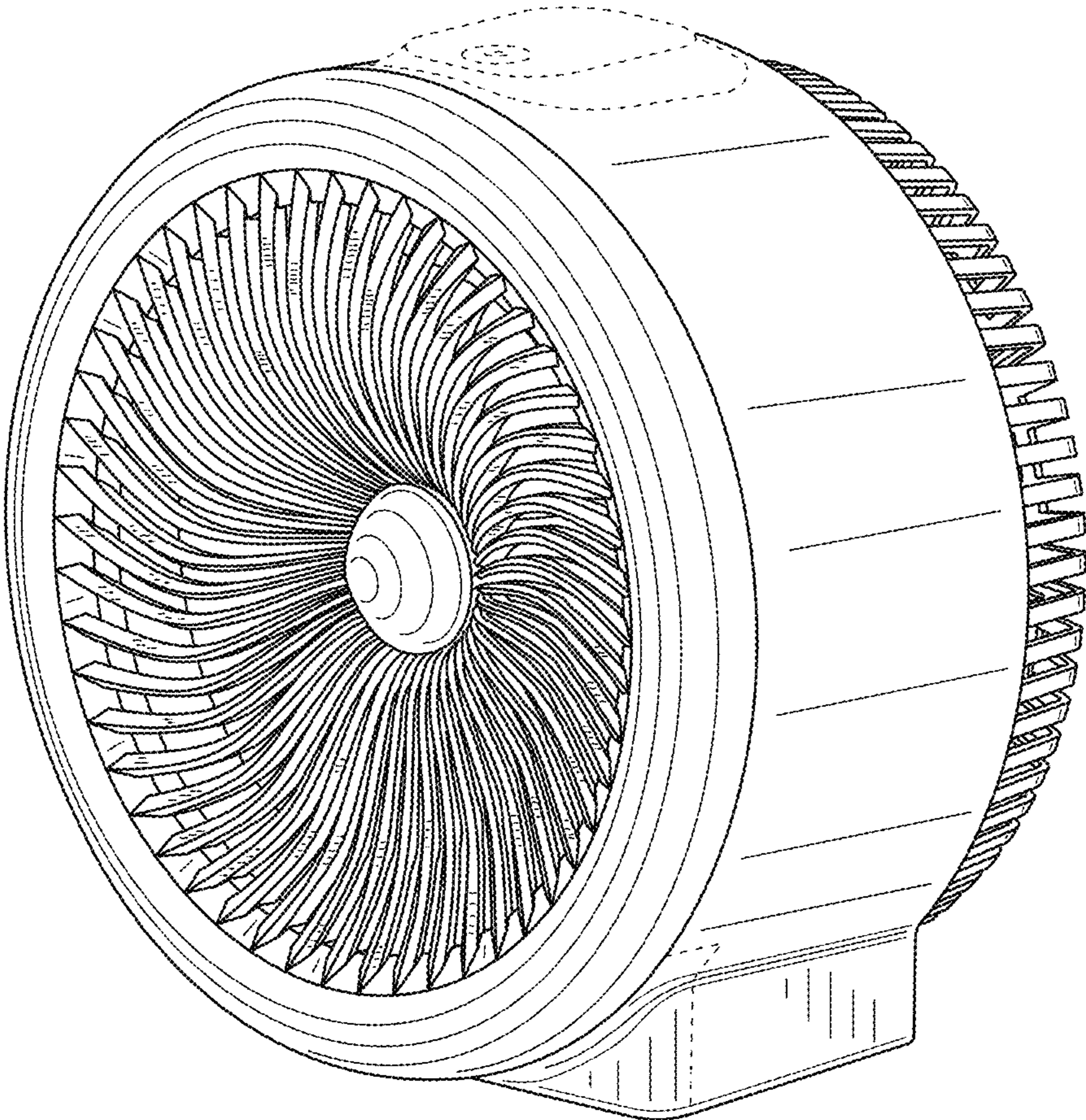


FIG. 1

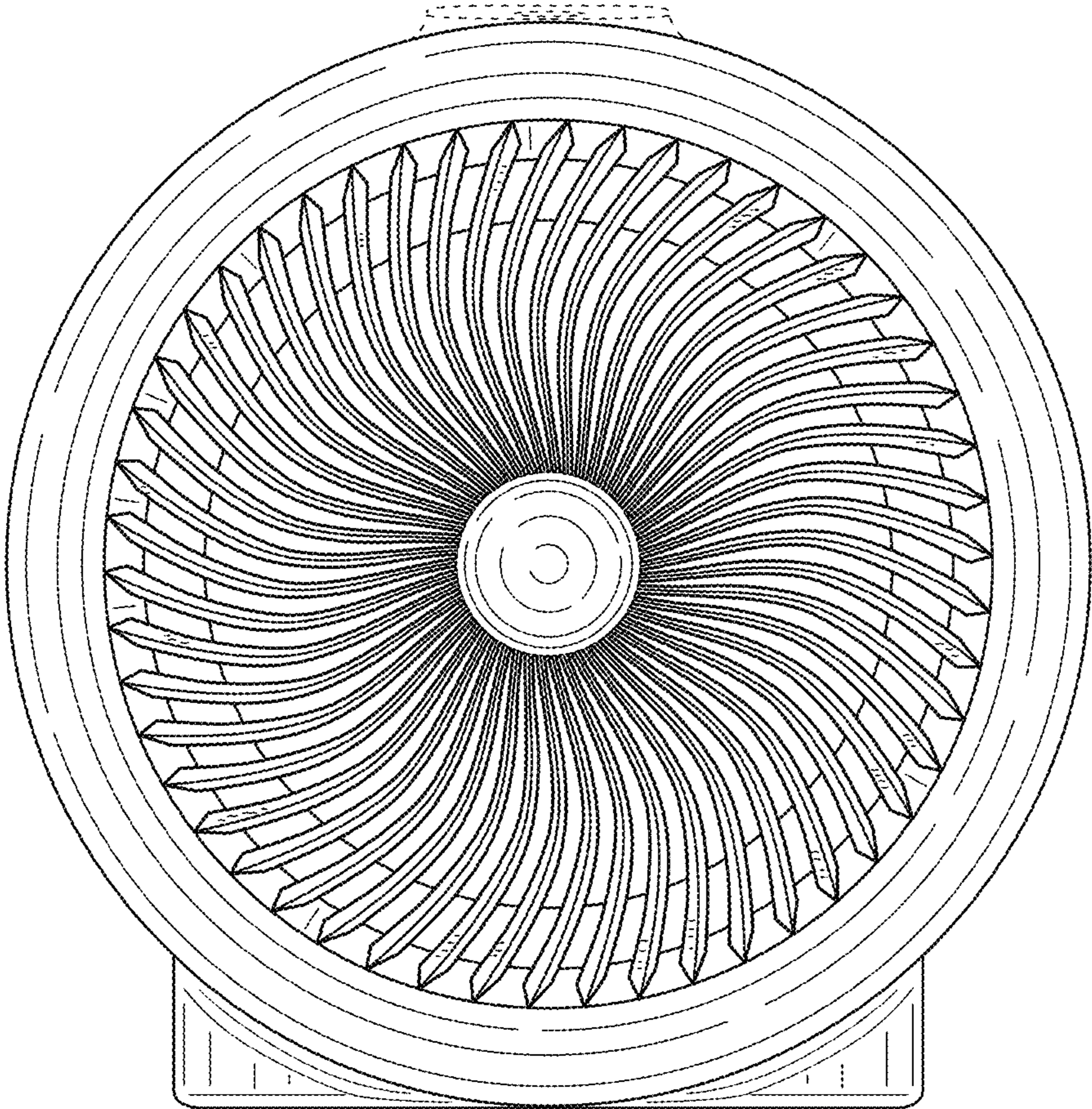


FIG. 2

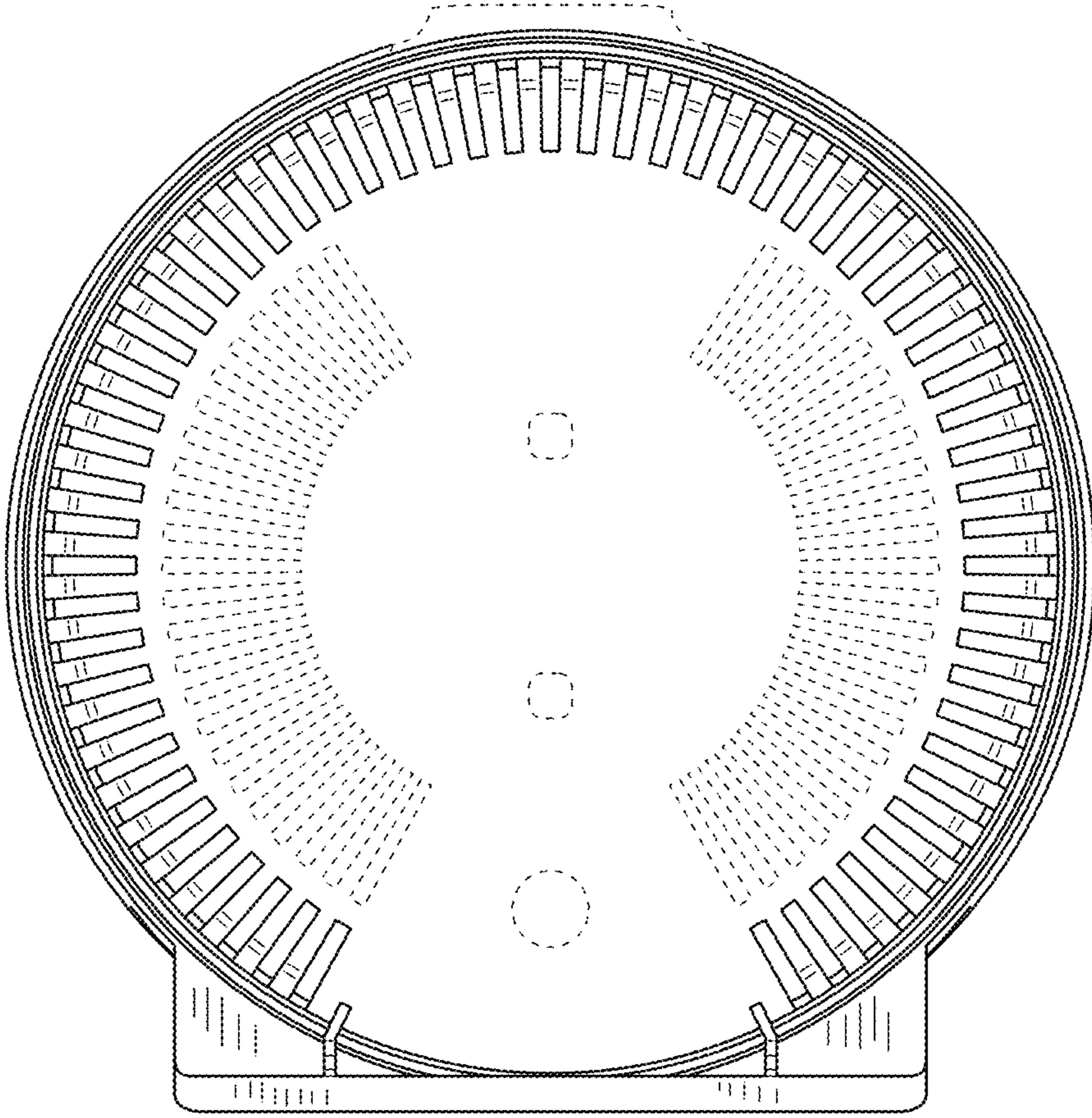


FIG. 3

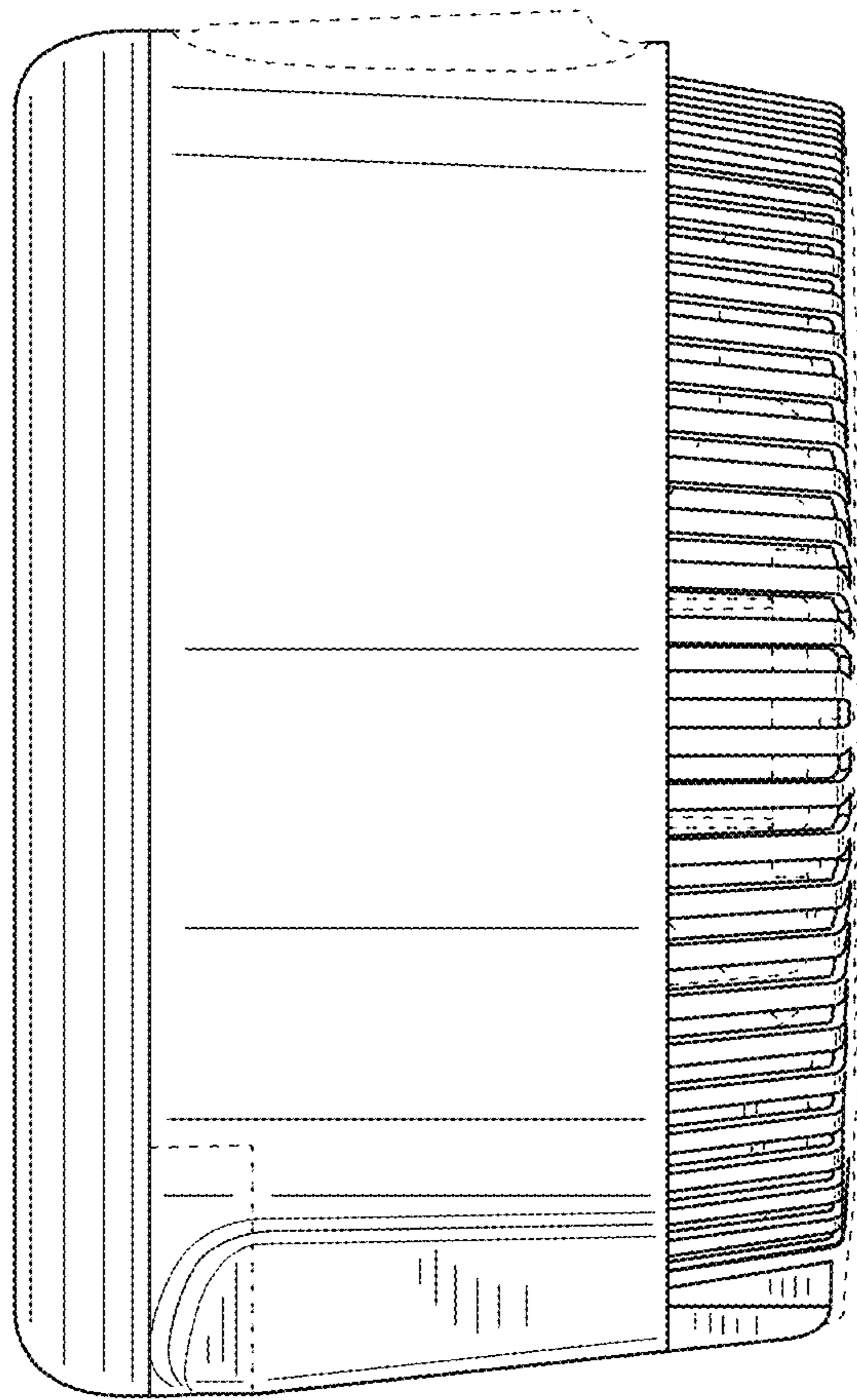


FIG. 4

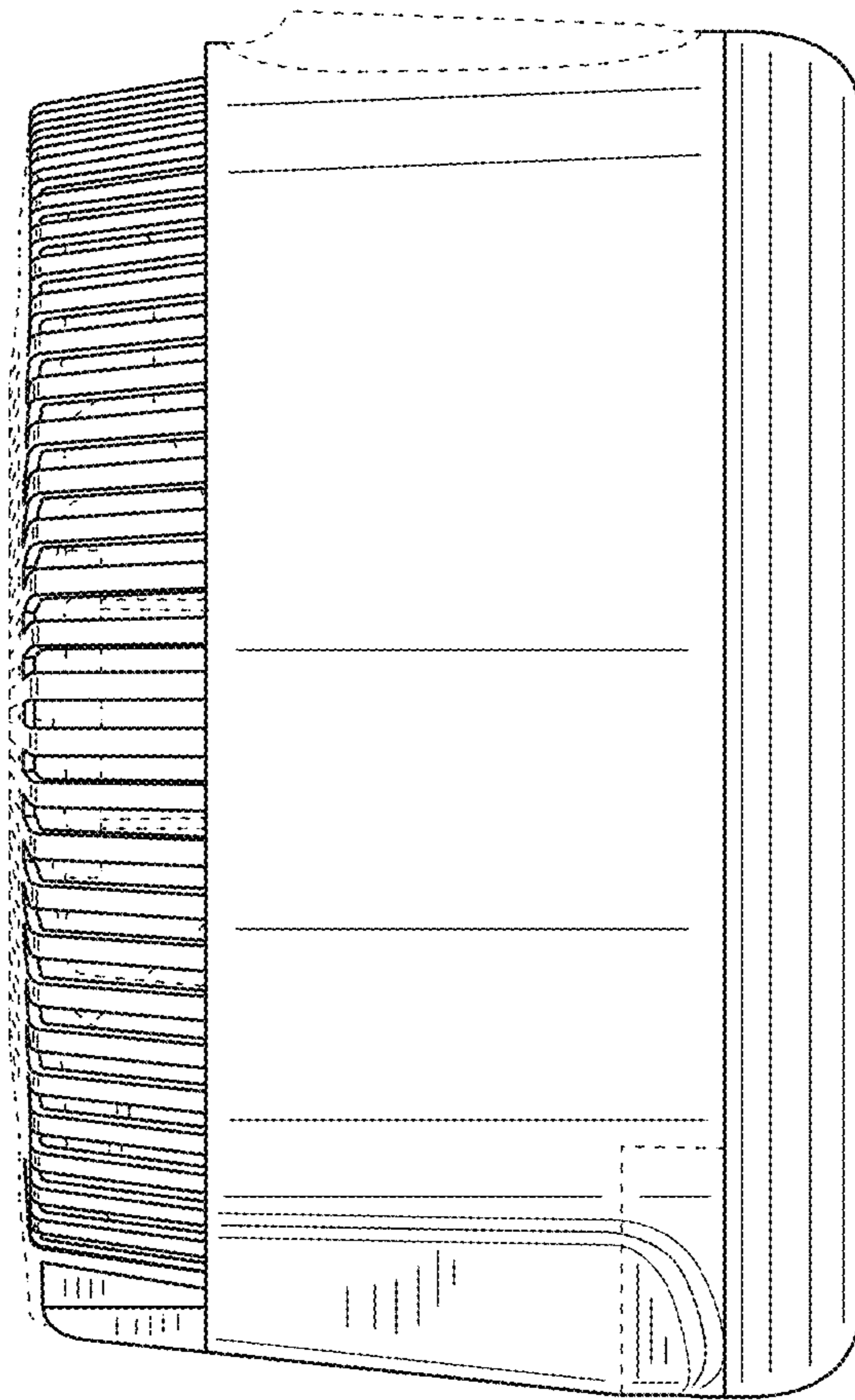


FIG. 5

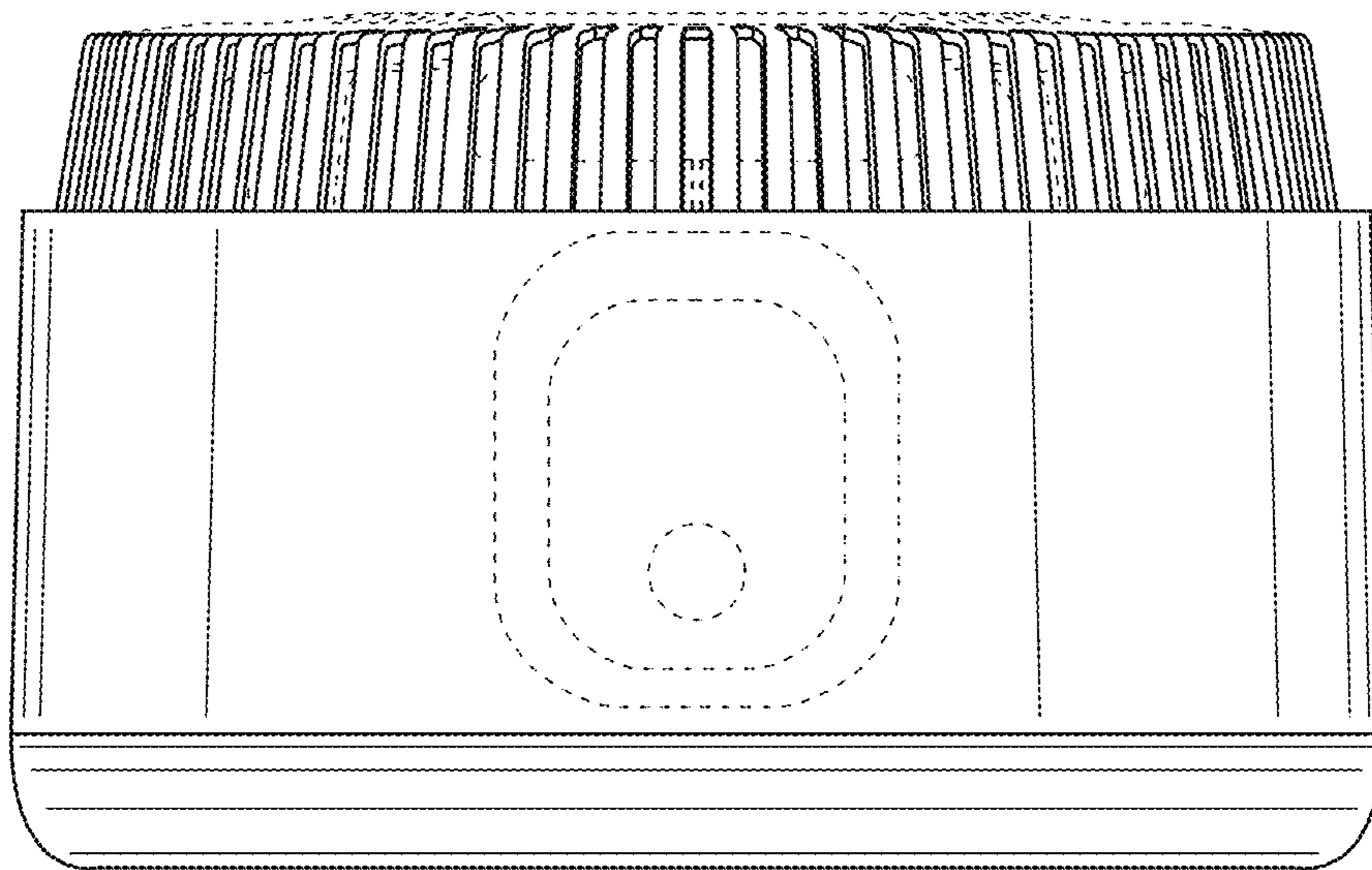


FIG. 6

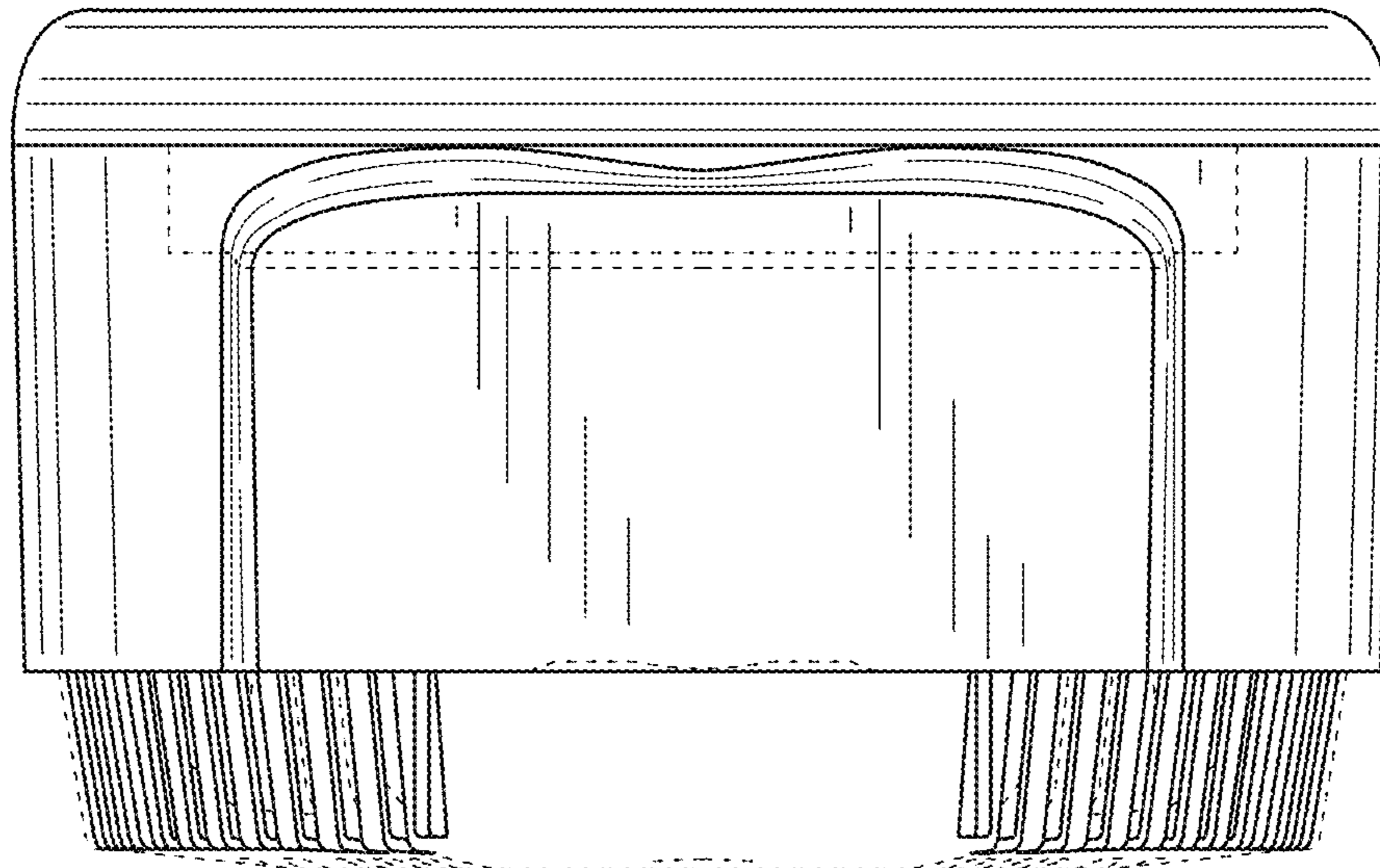


FIG. 7