



US00D858726S

(12) **United States Design Patent**
Takeuchi

(10) **Patent No.:** **US D858,726 S**
(45) **Date of Patent:** **** Sep. 3, 2019**

(54) **WATER HEATER**
(71) Applicant: **Paloma Co., Ltd.**, Aichi (JP)
(72) Inventor: **Makoto Takeuchi**, Aichi (JP)
(73) Assignee: **Paloma Co., Ltd.**, Aichi (JP)
(**) Term: **15 Years**

7,088,915 B1 * 8/2006 Sturm F24H 1/102
392/465
D531,290 S * 10/2006 Baumgartner D23/319
D533,928 S * 12/2006 Maegawa D23/318
D570,974 S * 6/2008 Nanbu D23/318
D616,536 S * 5/2010 Lee D23/318
D683,001 S * 5/2013 Lee D23/320
D687,134 S * 7/2013 Lee D23/320
D804,623 S * 12/2017 Yamaguchi D23/318
D833,589 S * 11/2018 Shono D23/318
2016/0377348 A1 * 12/2016 Fujisawa F28F 9/001
165/175

(21) Appl. No.: **29/631,999**
(22) Filed: **Jan. 4, 2018**

* cited by examiner

(30) **Foreign Application Priority Data**

Primary Examiner — T Chase Nelson
Assistant Examiner — Ania Aman
(74) *Attorney, Agent, or Firm* — Maier & Maier, PLLC

Jul. 25, 2017 (JP) 2017-016075

(51) **LOC (12) Cl.** **23-03**
(52) **U.S. Cl.**
USPC **D23/318**

(57) **CLAIM**

The ornamental design for a water heater, as shown and described.

(58) **Field of Classification Search**
USPC D23/314, 317, 318, 319, 320, 329, 332,
D23/342
CPC . F24H 1/10; F24H 9/2028; F24H 9/02; F24H
9/128; F24H 9/2021; F24H 9/2007; F24H
9/0005; F24H 4/00; F24H 2/142; F24H
9/2071; F24H 9/2064; F24H 1/06; H05B
3/78

DESCRIPTION

FIG. 1 is a front view thereof;
FIG. 2 is a rear view thereof;
FIG. 3 is a left side view thereof;
FIG. 4 is a right side view thereof;
FIG. 5 is a top view thereof;
FIG. 6 is a bottom view thereof; and,
FIG. 7 is a perspective view thereof.
The broken lines shown in the figures illustrate portions of the water heater that do not form part of the claimed design.

See application file for complete search history.

(56) **References Cited**

U.S. PATENT DOCUMENTS

D483,453 S * 12/2003 Yamamoto D23/320
D483,844 S * 12/2003 Yamamoto D23/320

1 Claim, 7 Drawing Sheets

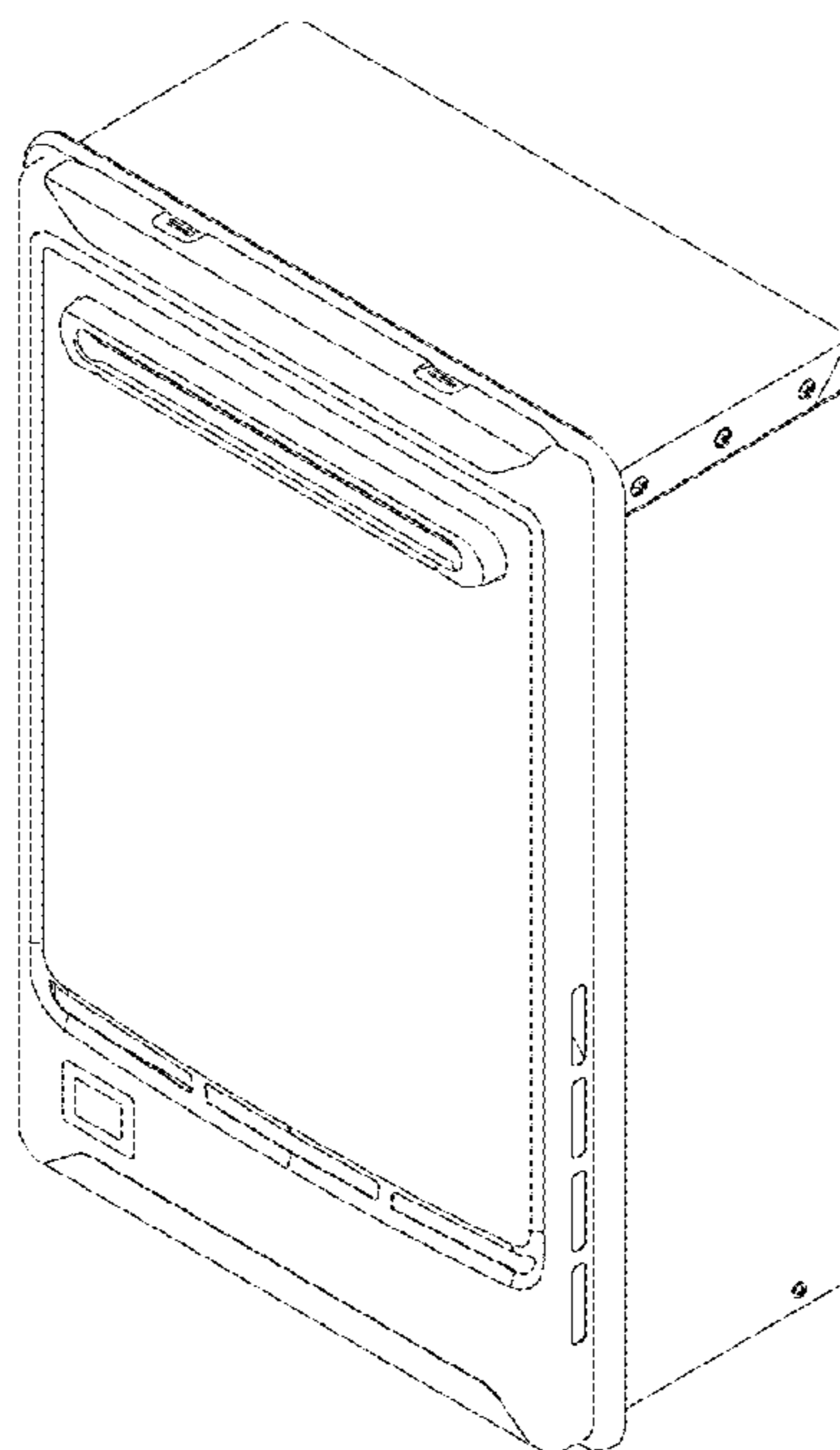


FIG.1

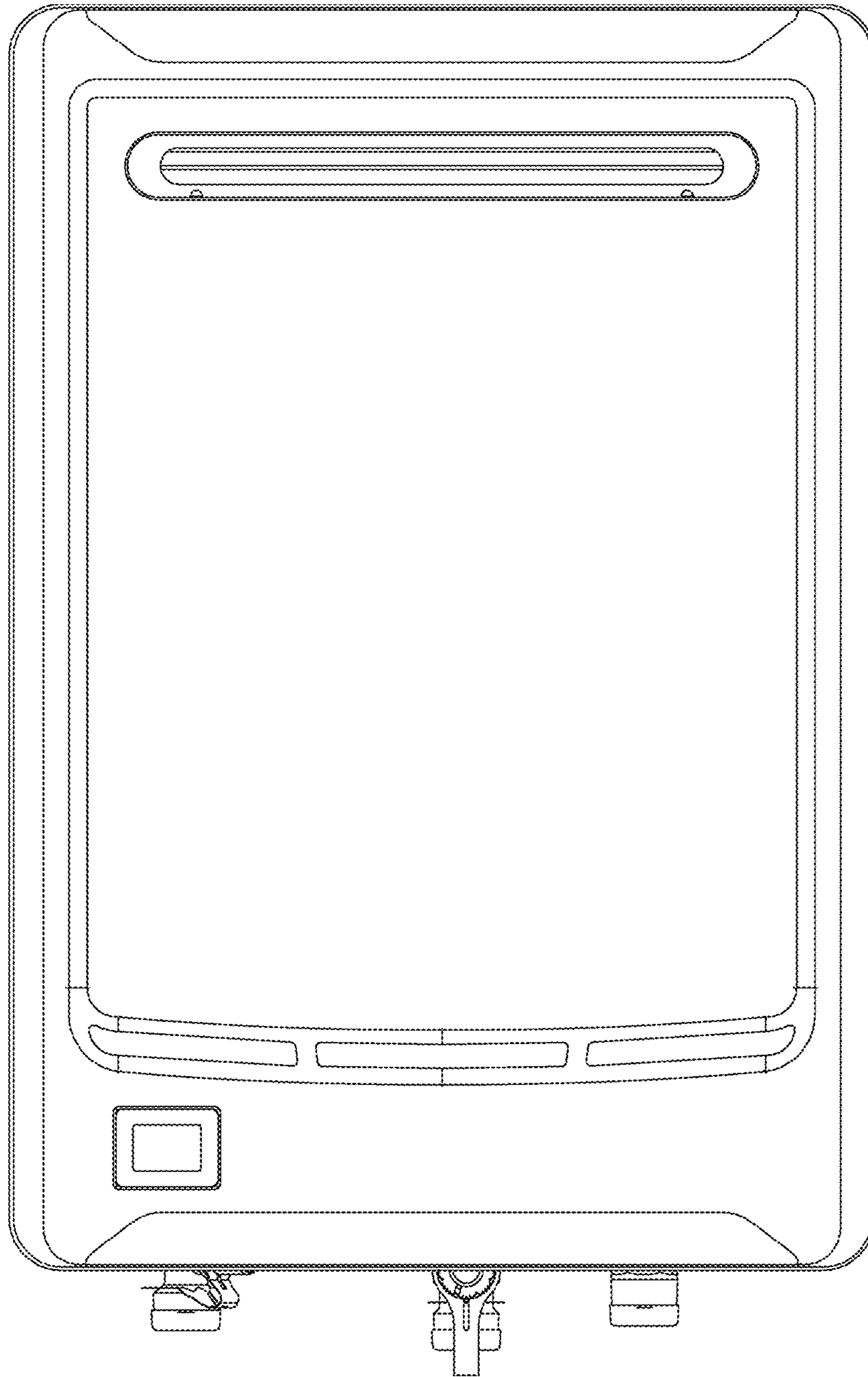


FIG.2

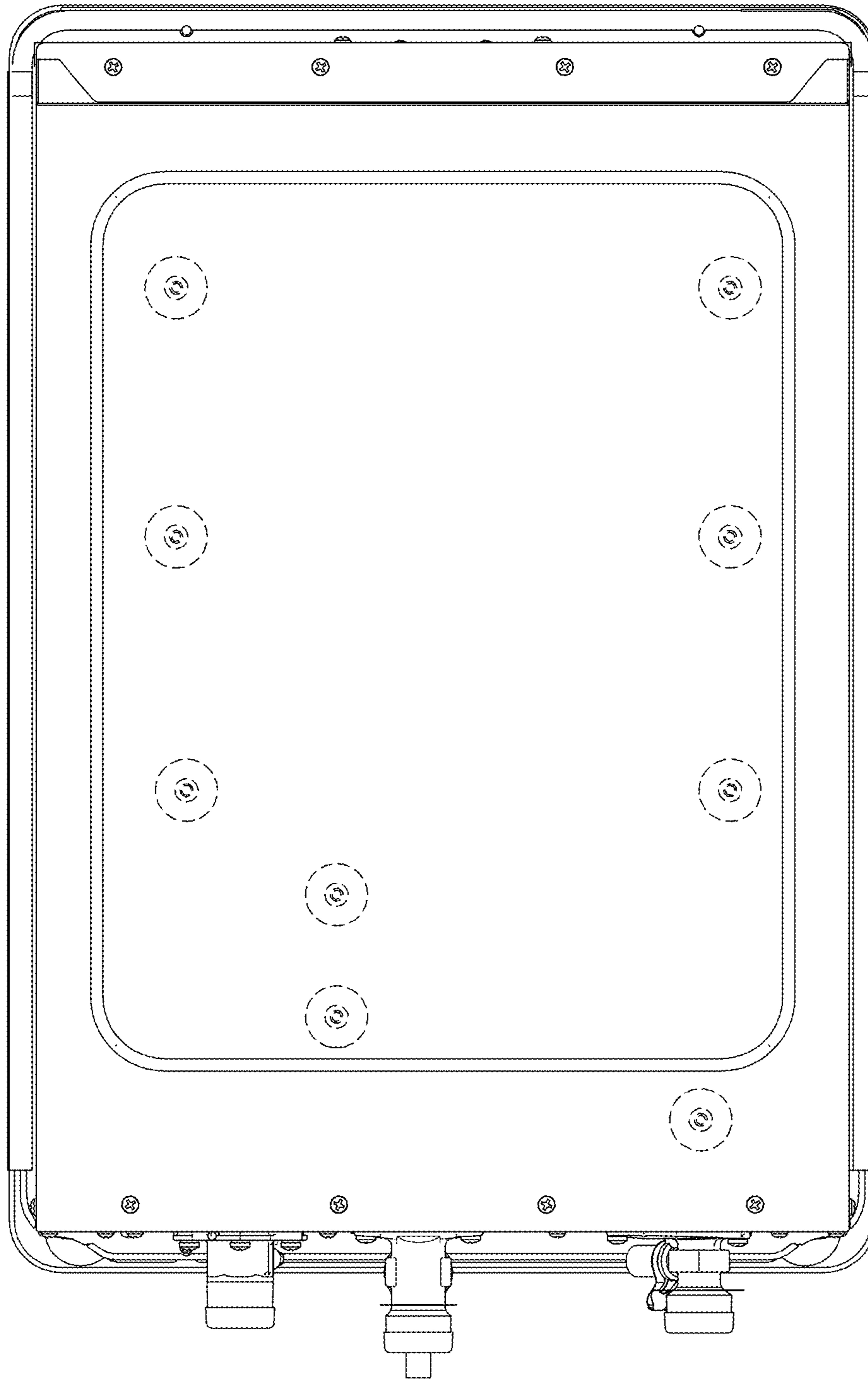


FIG.3

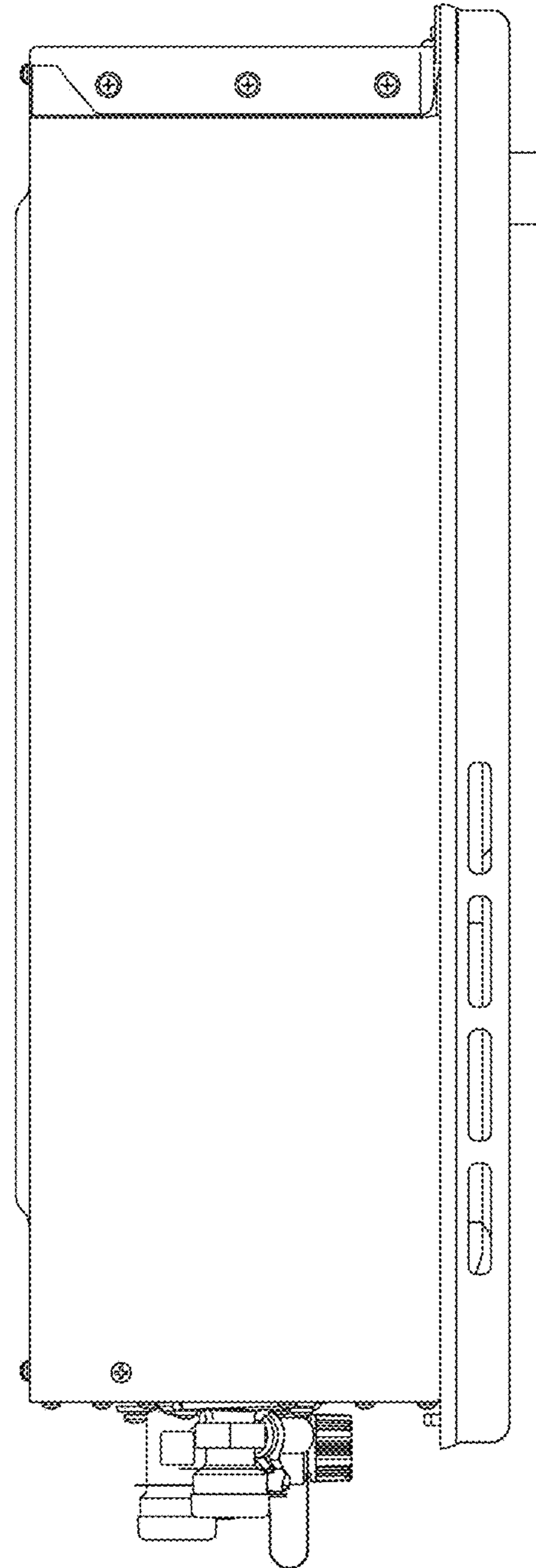


FIG.4

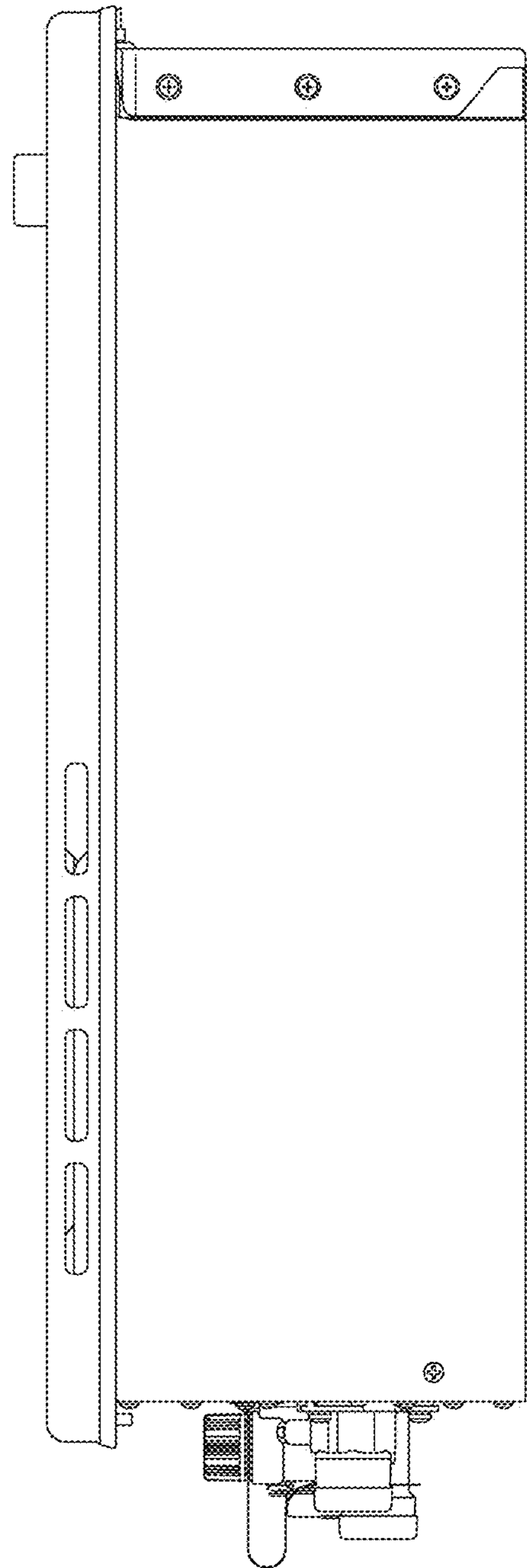


FIG.5

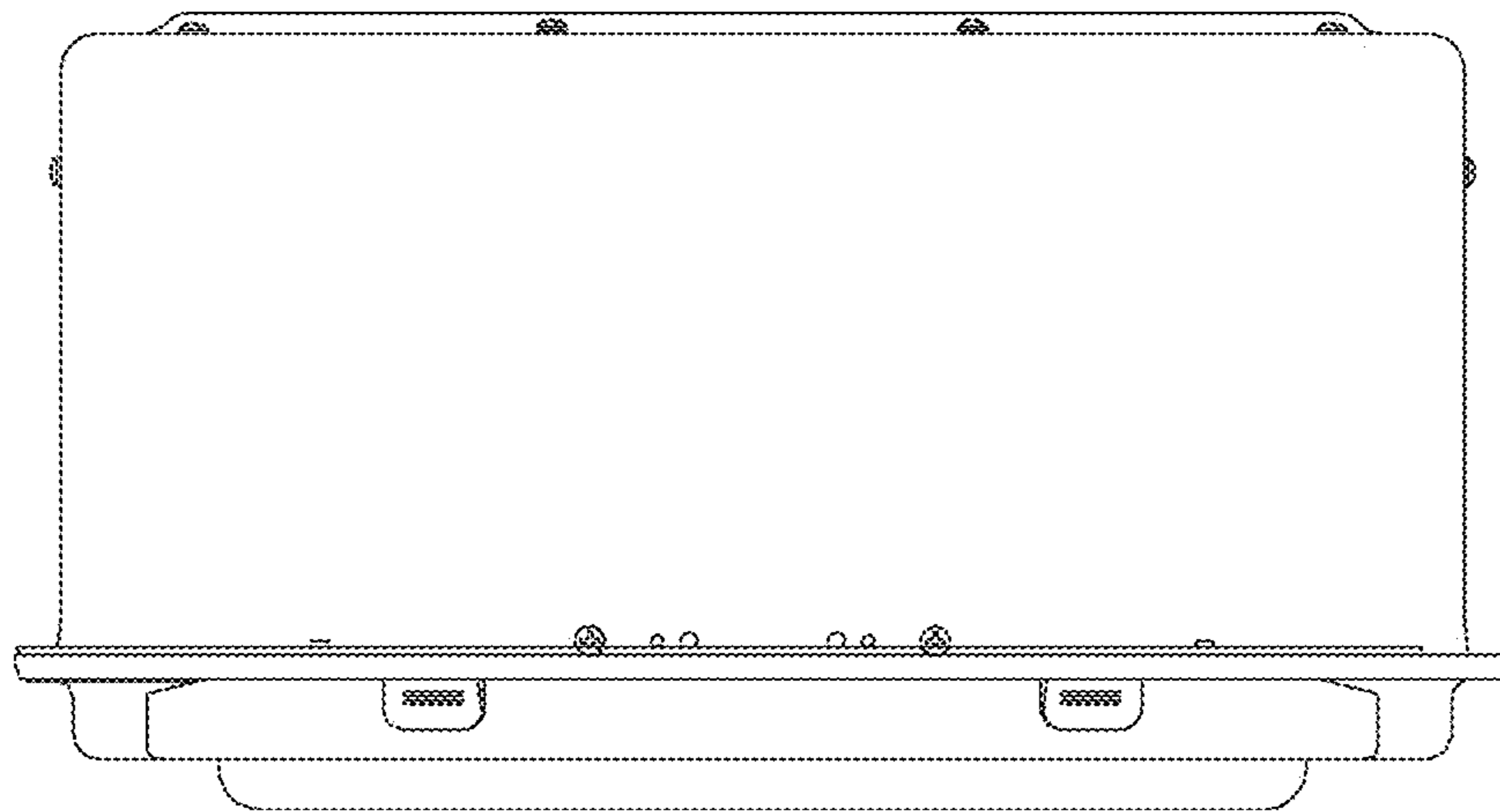


FIG.6

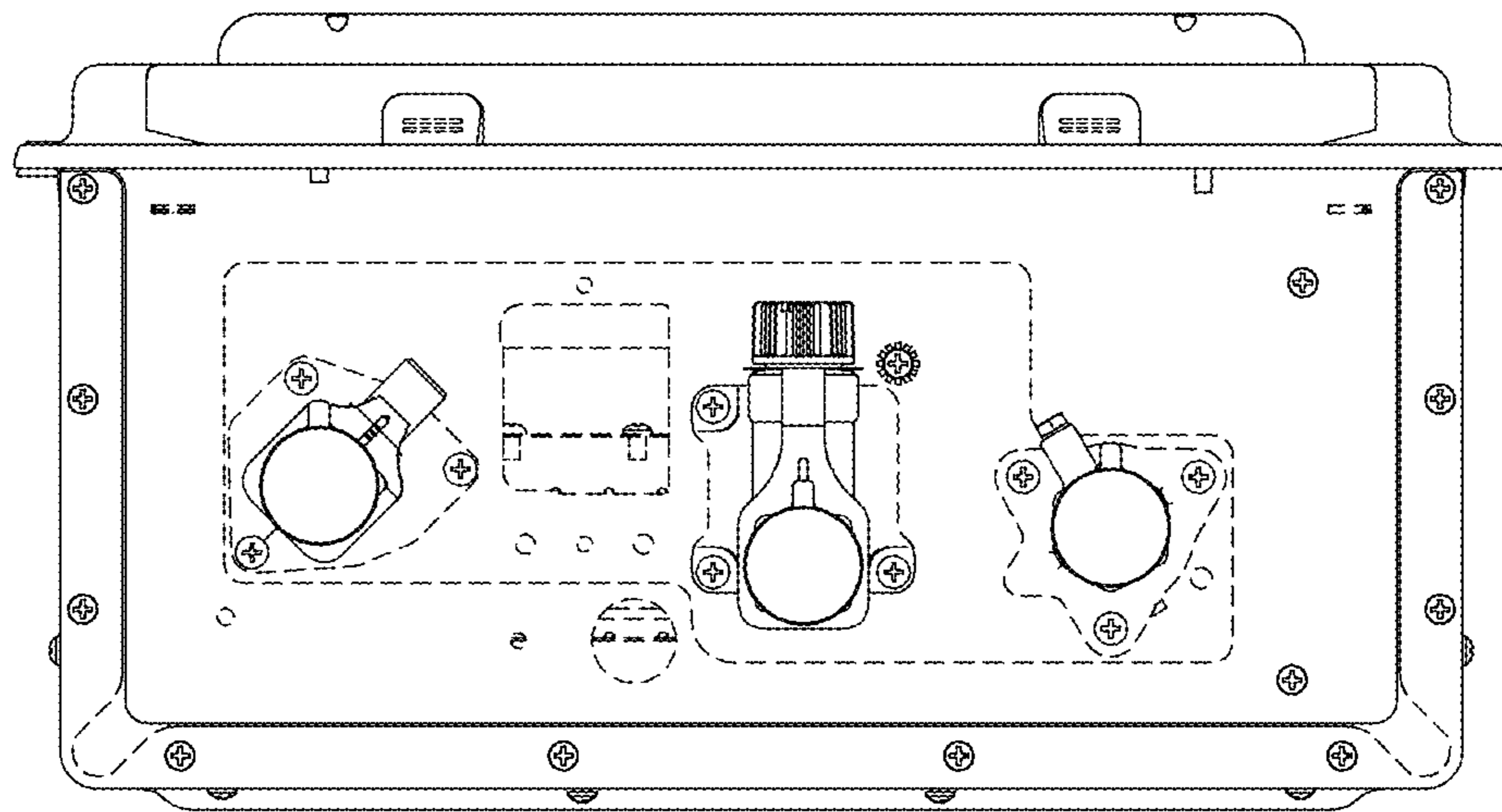


FIG. 7

