



US00D858720S

(12) **United States Design Patent** (10) **Patent No.:** **US D858,720 S**  
**Lee et al.** (45) **Date of Patent:** **\*\* \*Sep. 3, 2019**

(54) **PIPE CONNECTING TUBE**

(56) **References Cited**

(71) Applicants: **PPI PYUNGWHA CO., LTD.**,  
Hwaseong-si, Gyeonggi-do (KR); **PPI America Inc.**, Chicago, IL (US)

U.S. PATENT DOCUMENTS

(72) Inventors: **Jong-Tae Lee**, Seoul (KR); **Kiwoong Hwang**, Yangju-si (KR)

D229,410 S *	11/1973	Luckenbill .....	D23/263
D481,447 S *	10/2003	Dole .....	D23/263
D482,103 S *	11/2003	Snyder, Sr. ....	D23/263
D523,123 S *	6/2006	Wilk, Jr. ....	D23/262
D681,191 S *	4/2013	Shick .....	D24/110.1
D692,999 S *	11/2013	Huth .....	D24/110
D727,472 S *	4/2015	Bednarz .....	D23/263
D733,266 S *	6/2015	Bednarz .....	D23/263
D738,472 S *	9/2015	Bednarz .....	D23/263
D739,508 S *	9/2015	Menno .....	D23/263
D739,509 S *	9/2015	Bazemore .....	D23/263
D771,780 S *	11/2016	Scifres .....	D23/266
D835,245 S *	12/2018	Salehi-Bakhtiari .....	D23/263

(73) Assignees: **PPI PYUNGWHA CO., LTD.**,  
Hwaseong-si (KR); **PPI America Inc.**,  
Chicago, IL (US)

(\*) Notice: This patent is subject to a terminal disclaimer.

\* cited by examiner

(\*\*) Term: **15 Years**

*Primary Examiner* — Eric L Goodman  
*Assistant Examiner* — Amy C Wierenga

(21) Appl. No.: **29/640,237**

(74) *Attorney, Agent, or Firm* — Sughrue Mion, PLLC

(22) Filed: **Mar. 13, 2018**

(57) **CLAIM**

(30) **Foreign Application Priority Data**

The ornamental design for a pipe connecting tube, as shown and described.

Oct. 17, 2017 (KR) ..... 30-2017-0048140

**DESCRIPTION**

(51) **LOC (12) Cl.** ..... **23-01**

FIG. 1 is a perspective view of a pipe connecting tube showing our new design;

(52) **U.S. Cl.**

FIG. 2 is a front view of the pipe connecting tube;

USPC ..... **D23/263**; D23/266

FIG. 3 is a rear view of the pipe connecting tube;

(58) **Field of Classification Search**

USPC .... D23/259, 262–263, 265–266; D24/110.1,  
D24/110.4–110.6, 129; 285/132.1,  
285/133.11, 179, 179.1, 179.2, 125.1

FIG. 4 is a left-side view of the pipe connecting tube;

CPC .... F16L 43/001; F16L 43/002; F16L 43/008;  
F16L 21/005; F16L 21/002; F16L 21/08;  
F16L 21/06; F16L 21/04; F16L 9/22

FIG. 5 is a right-side view of the pipe connecting tube;

FIG. 6 is a top plan view of the pipe connecting tube;

FIG. 7 is a bottom view of the pipe connecting tube; and,

FIG. 8 is an exploded perspective view of the of the pipe connecting tube which includes a cap, a sealing, and a main body.

See application file for complete search history.

**1 Claim, 8 Drawing Sheets**

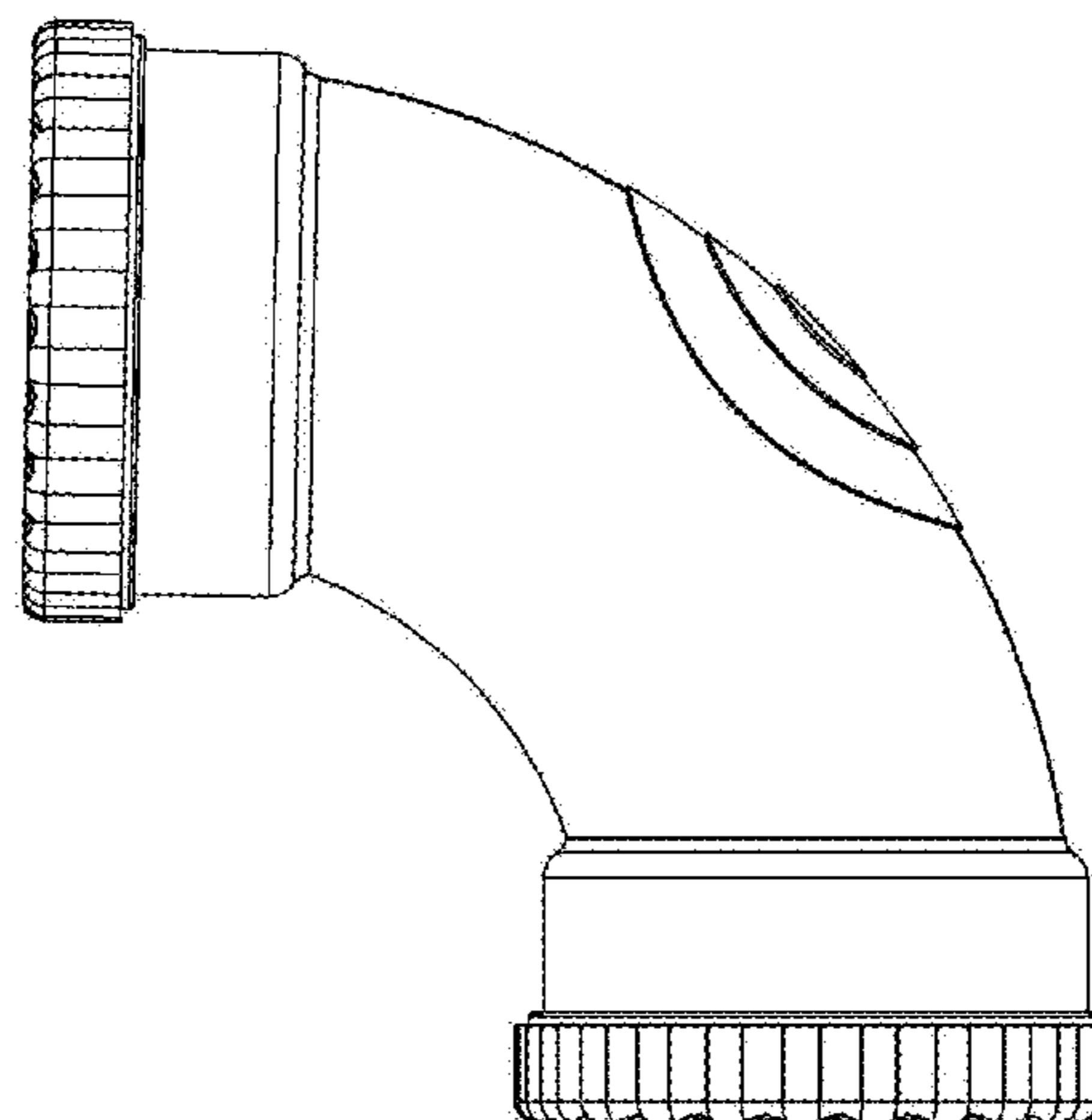
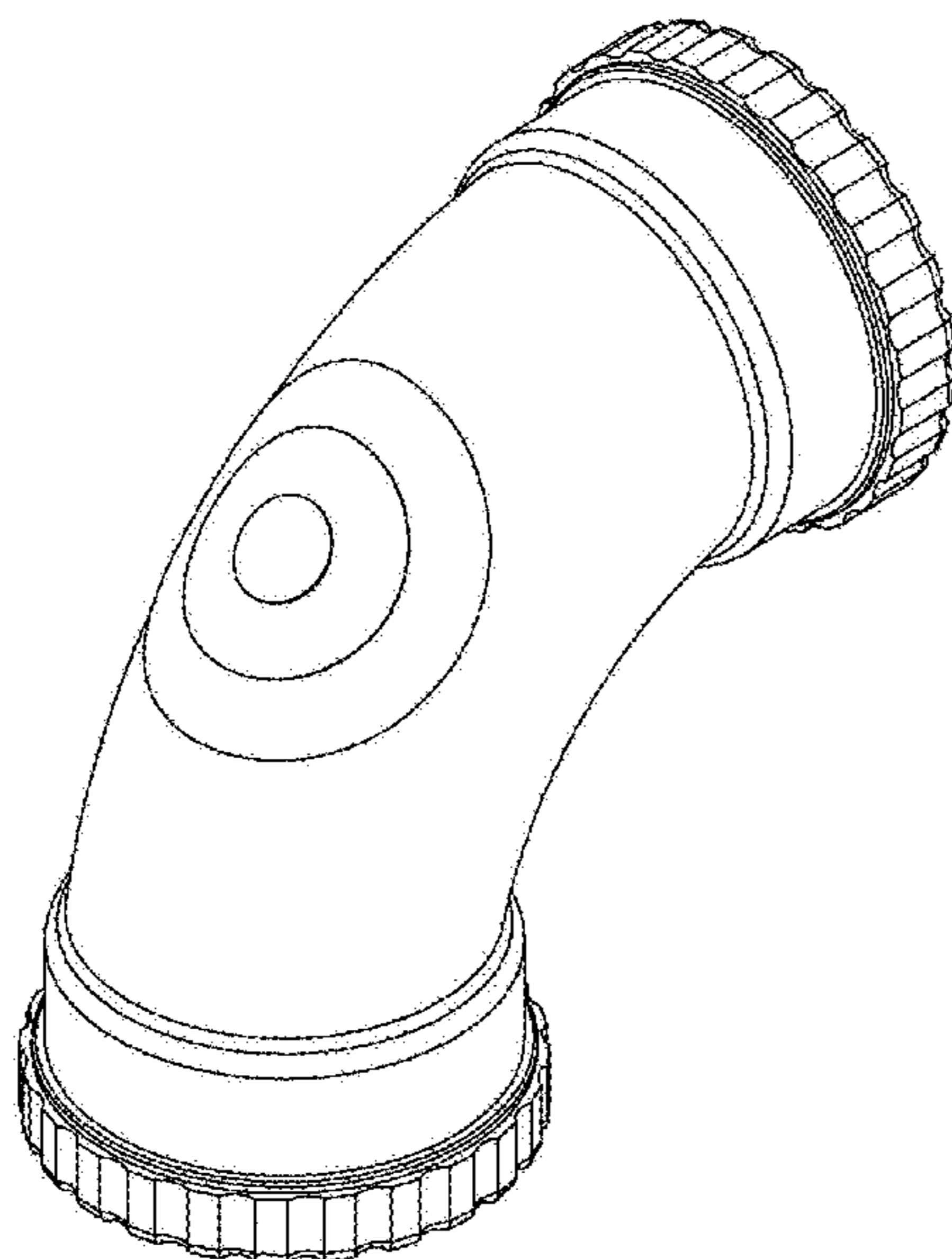


FIG. 1

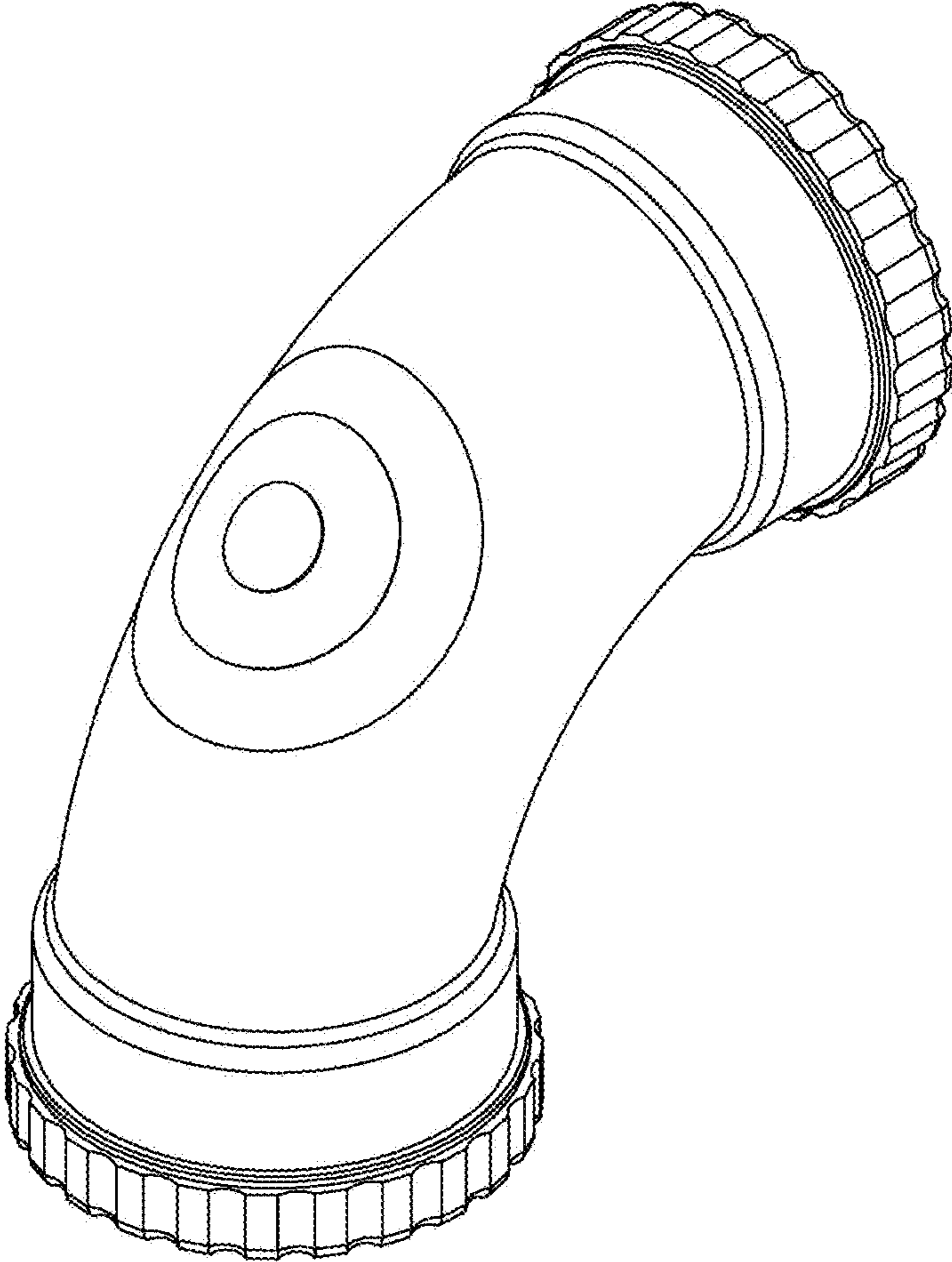


FIG. 2

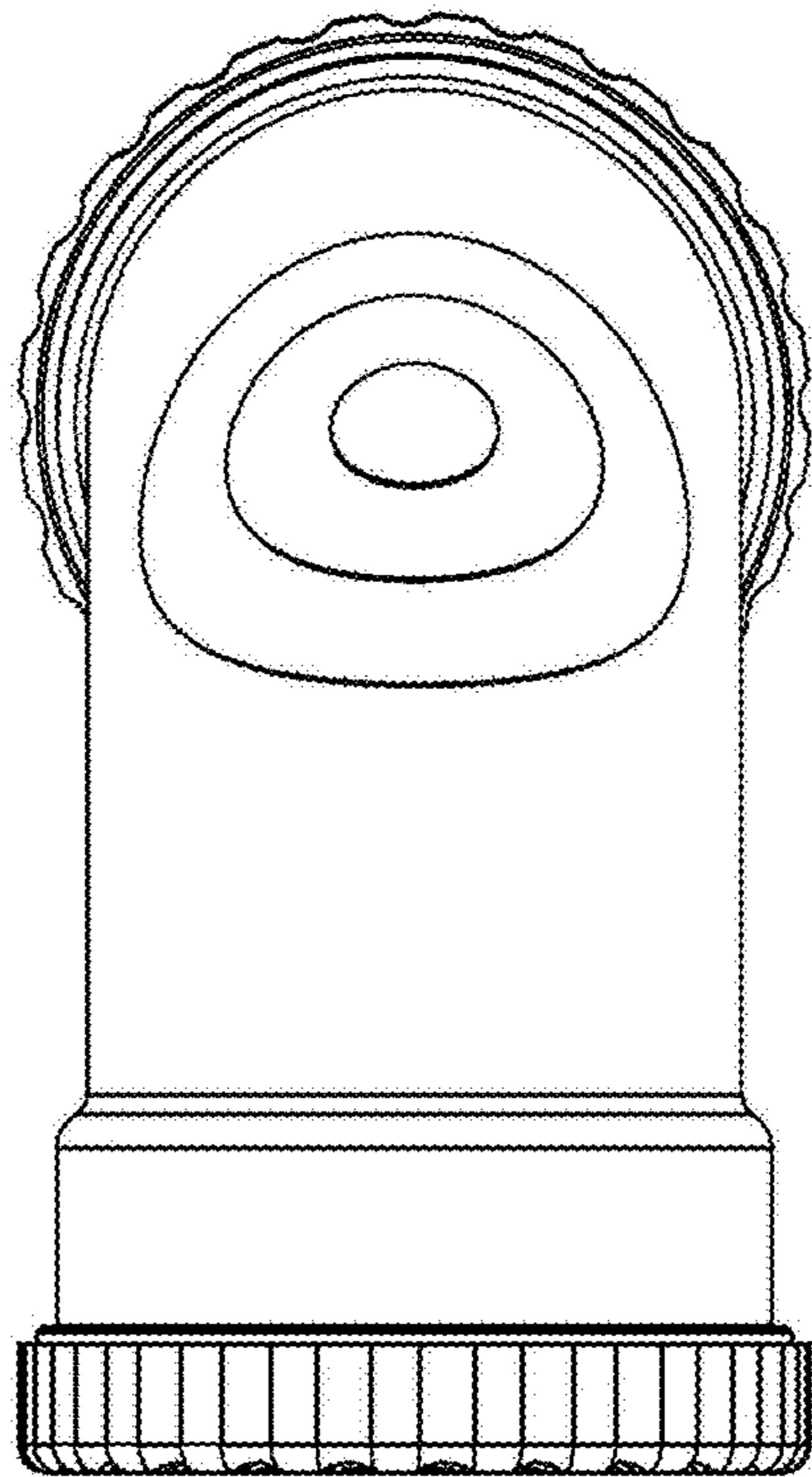


FIG. 3

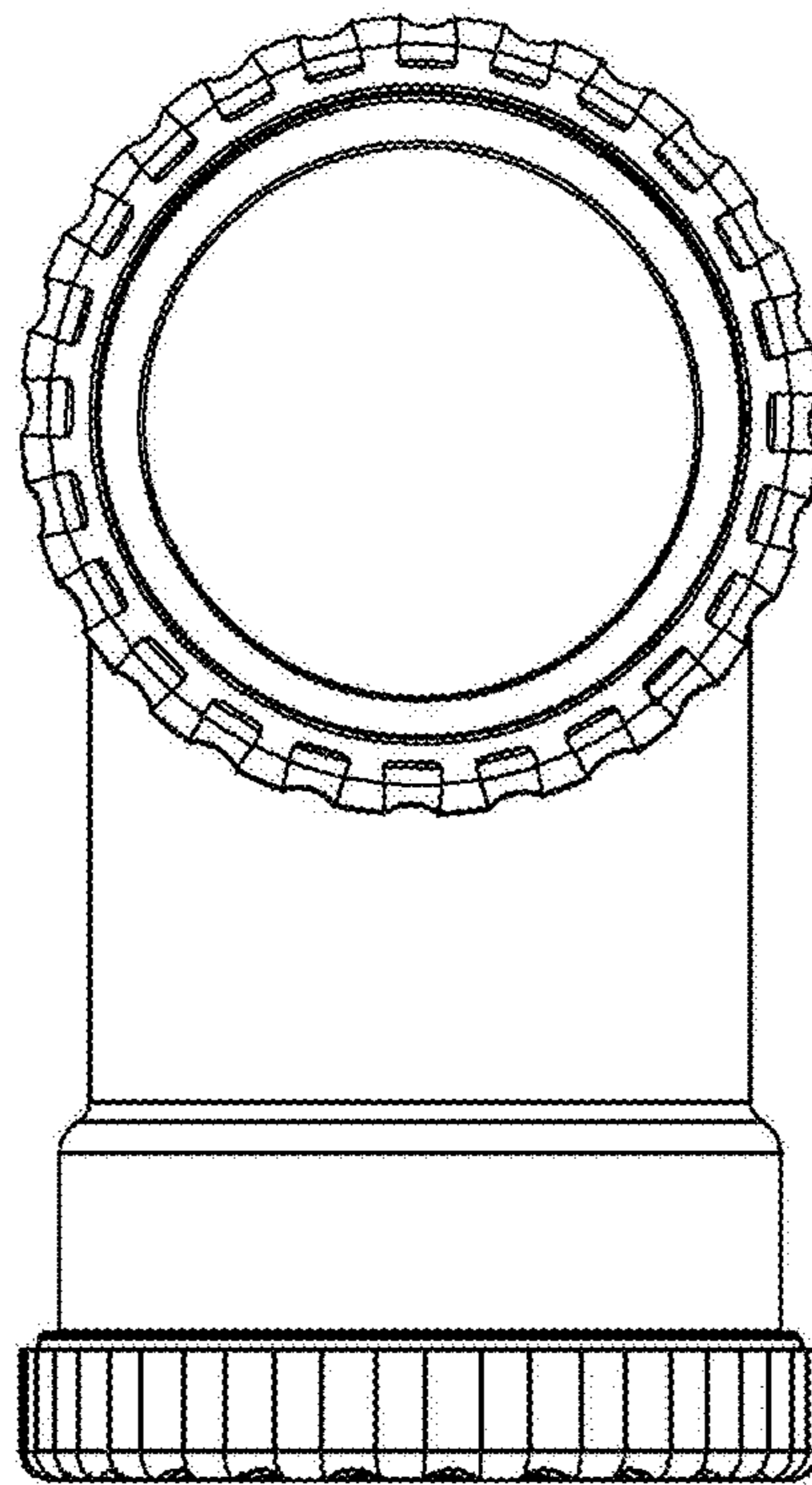


FIG. 4

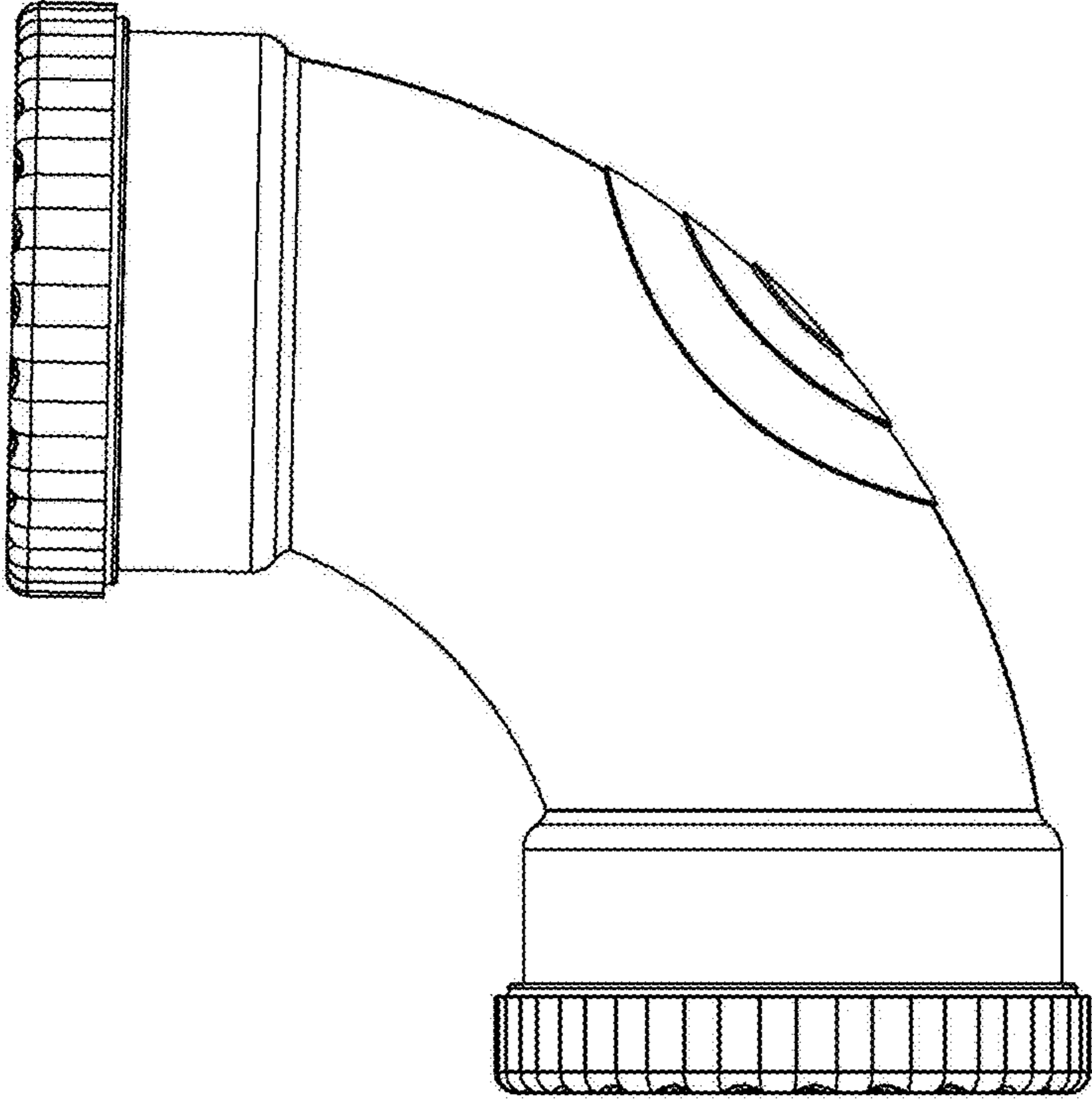


FIG. 5

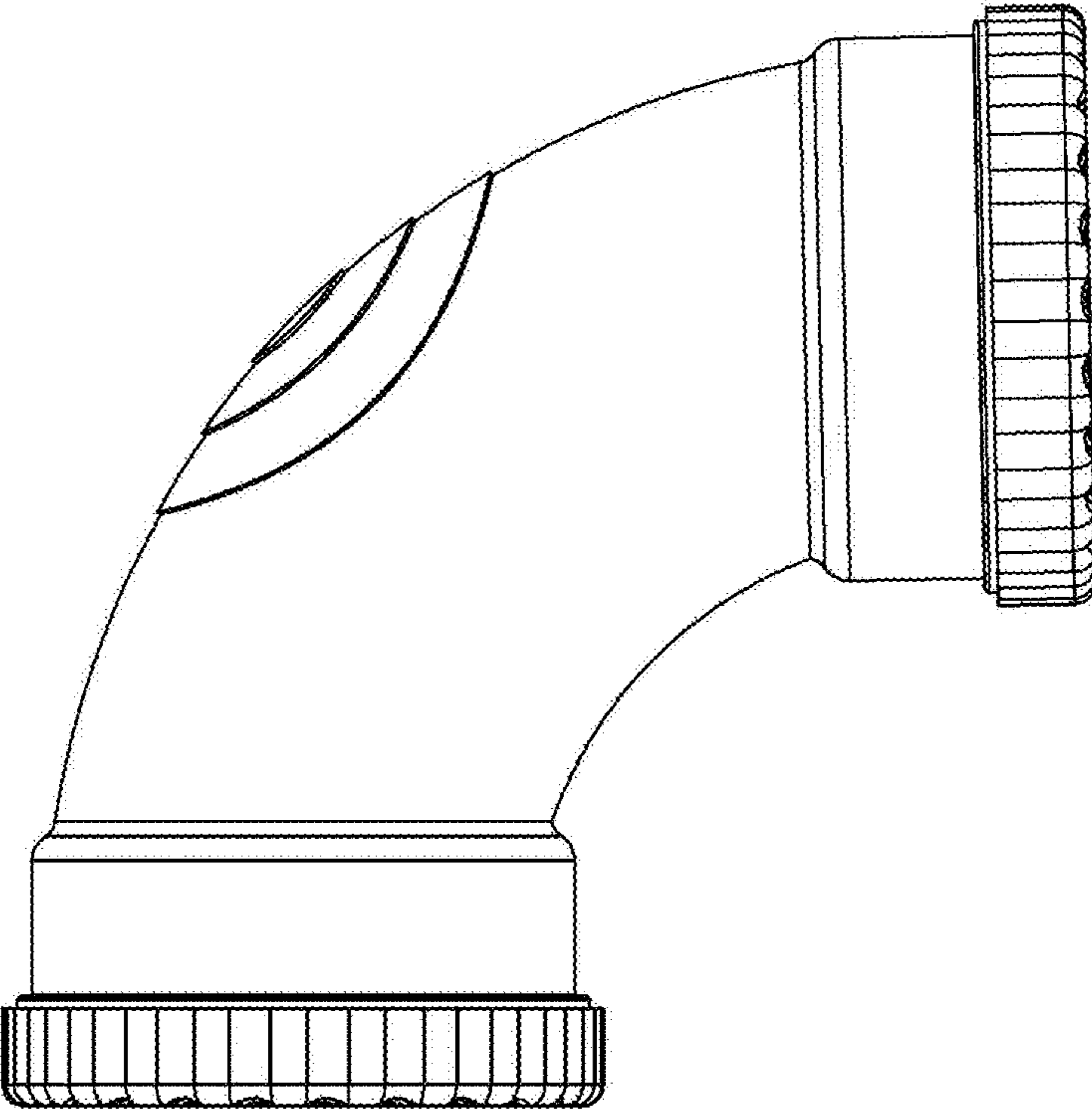




FIG. 6

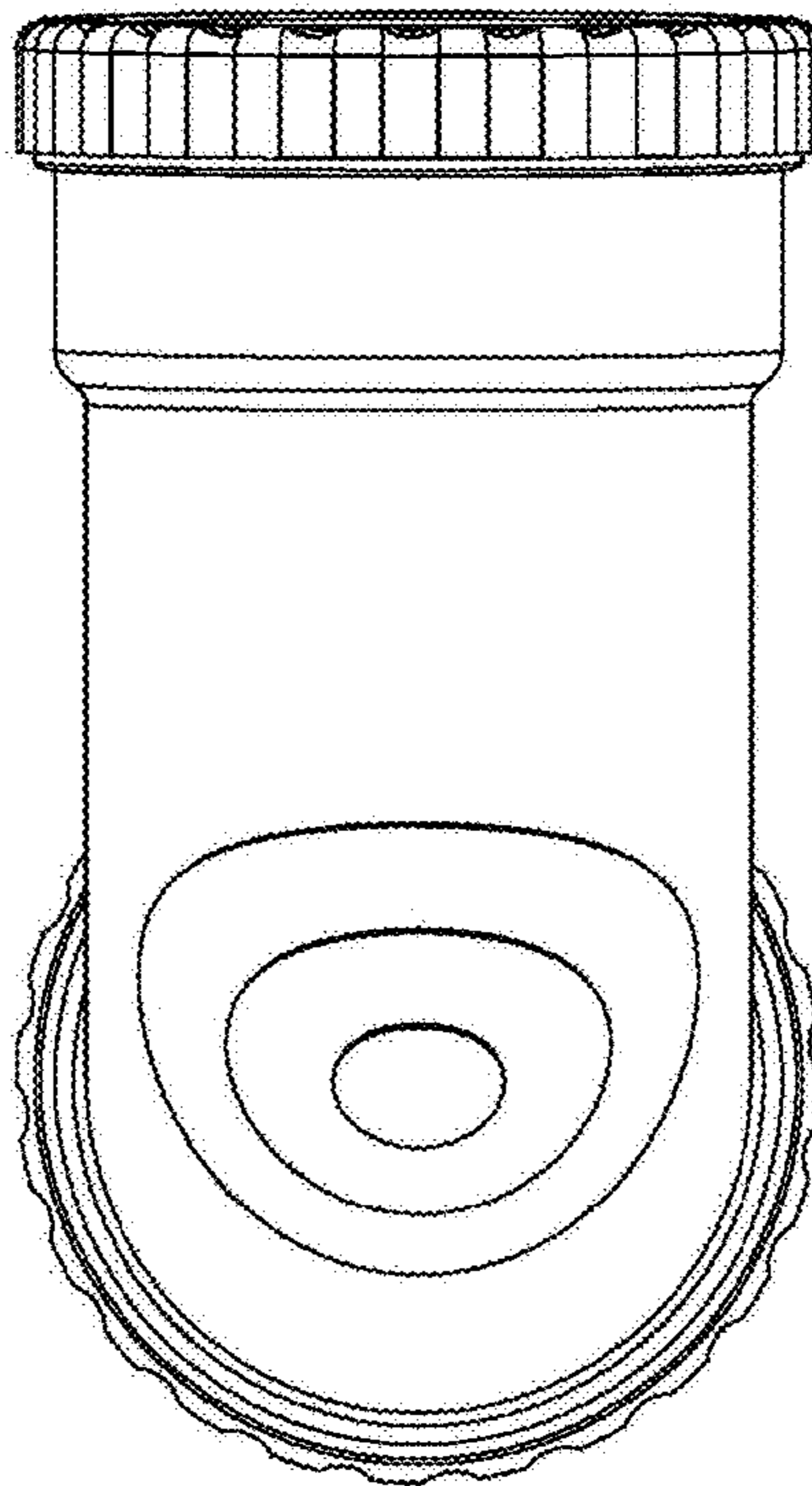


FIG. 7

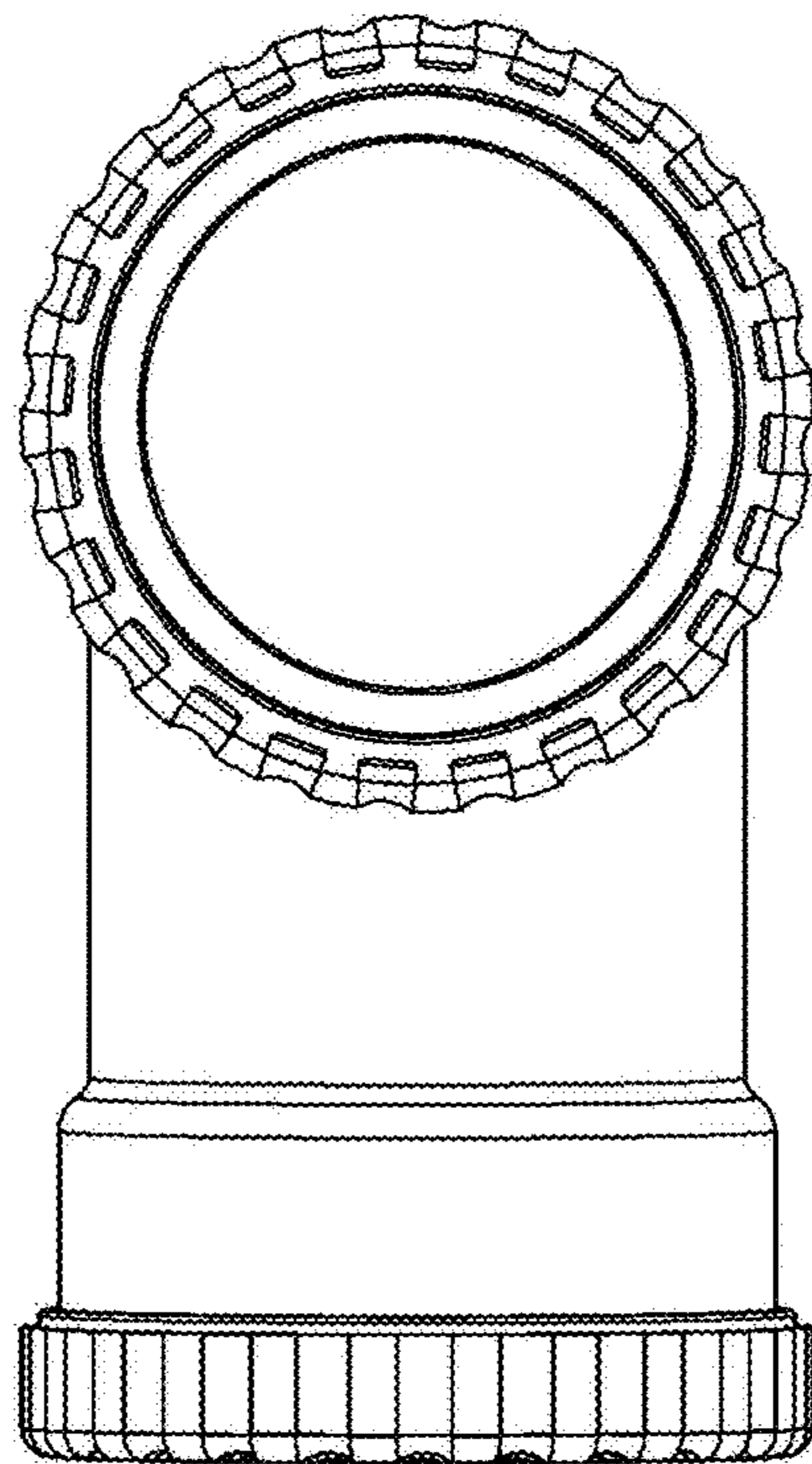




FIG. 8

