



US00D858716S

(12) **United States Design Patent**
Eads

(10) **Patent No.:** **US D858,716 S**

(45) **Date of Patent:** **** Sep. 3, 2019**

(54) **FAUCET HANDLE**

(71) Applicant: **DELTA FAUCET COMPANY,**
Indianapolis, IN (US)

(72) Inventor: **Thad Eads,** Urbana, IN (US)

(73) Assignee: **DELTA FAUCET COMPANY,**
Indianapolis, IN (US)

(**) Term: **15 Years**

(21) Appl. No.: **29/642,274**

(22) Filed: **Mar. 28, 2018**

(51) **LOC (12) Cl.** **23-01**

(52) **U.S. Cl.**
USPC **D23/252**

(58) **Field of Classification Search**
USPC D8/300, 307, 308; D23/238–243, 249,
D23/250, 252, 254, 255, 257, 245, 309,
D23/253; D7/394, 622, 395, 545, 398
CPC Y10T 137/9464
See application file for complete search history.

(56) **References Cited**

U.S. PATENT DOCUMENTS

D297,756 S * 9/1988 Paul D23/242
D517,655 S * 3/2006 Ogata D23/241

D687,523 S * 8/2013 Garland D23/257
D737,941 S * 9/2015 Eads D23/255
D759,212 S * 6/2016 Eads D23/255
D767,730 S * 9/2016 Eads D23/252

* cited by examiner

Primary Examiner — Sheryl Lane

Assistant Examiner — Samantha N Wood

(74) *Attorney, Agent, or Firm* — Edgar A. Zarins; Nirav
D. Parikh

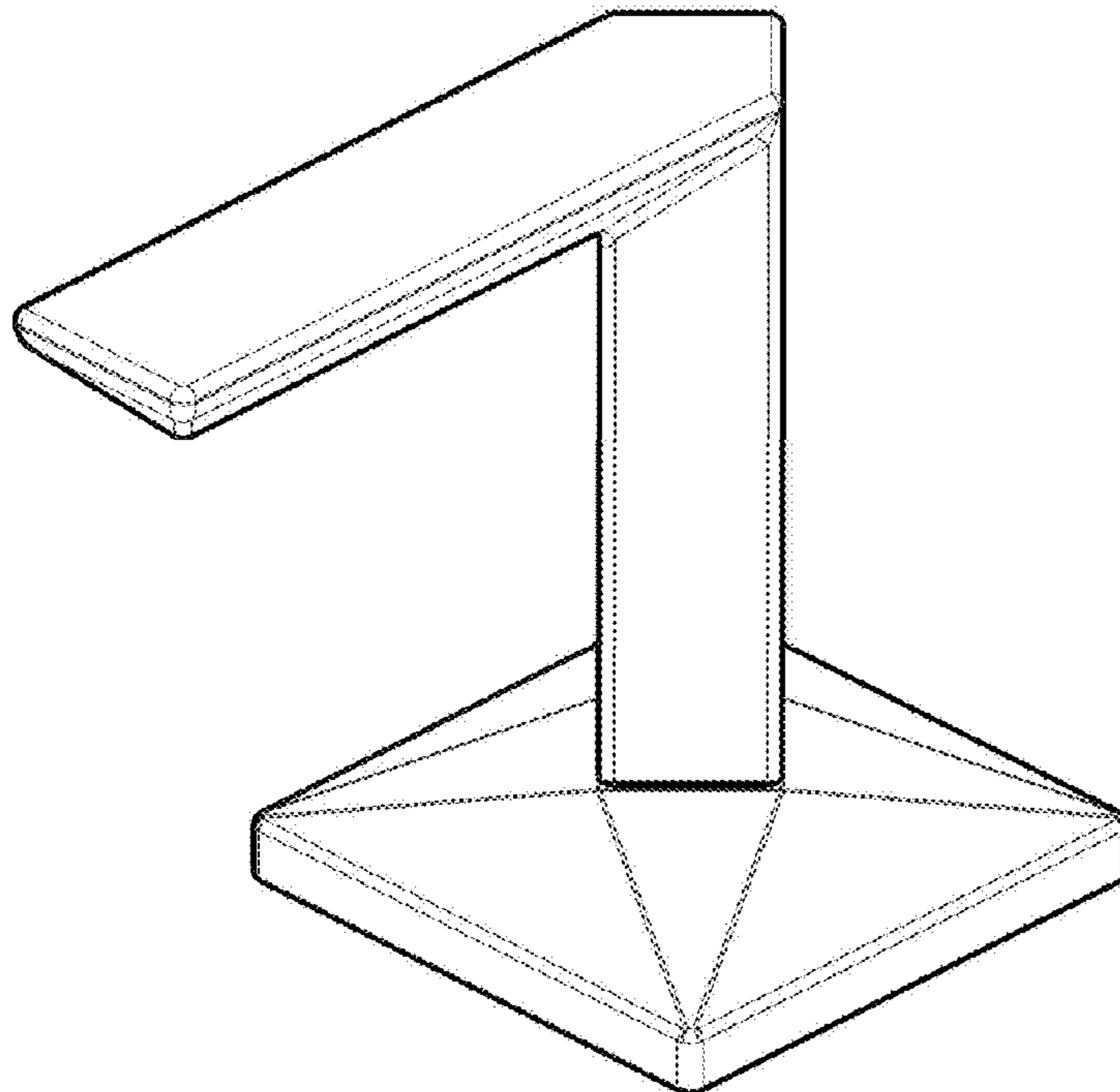
(57) **CLAIM**

The ornamental design for a faucet handle, as shown and described.

DESCRIPTION

FIG. 1 is a first perspective view of a faucet handle showing my new design;
FIG. 2 is a second perspective view thereof;
FIG. 3 is a front view thereof;
FIG. 4 is a left side view thereof;
FIG. 5 is a rear view thereof;
FIG. 6 is a right side view thereof;
FIG. 7 is a top plan view thereof; and,
FIG. 8 is a bottom view thereof.

1 Claim, 4 Drawing Sheets



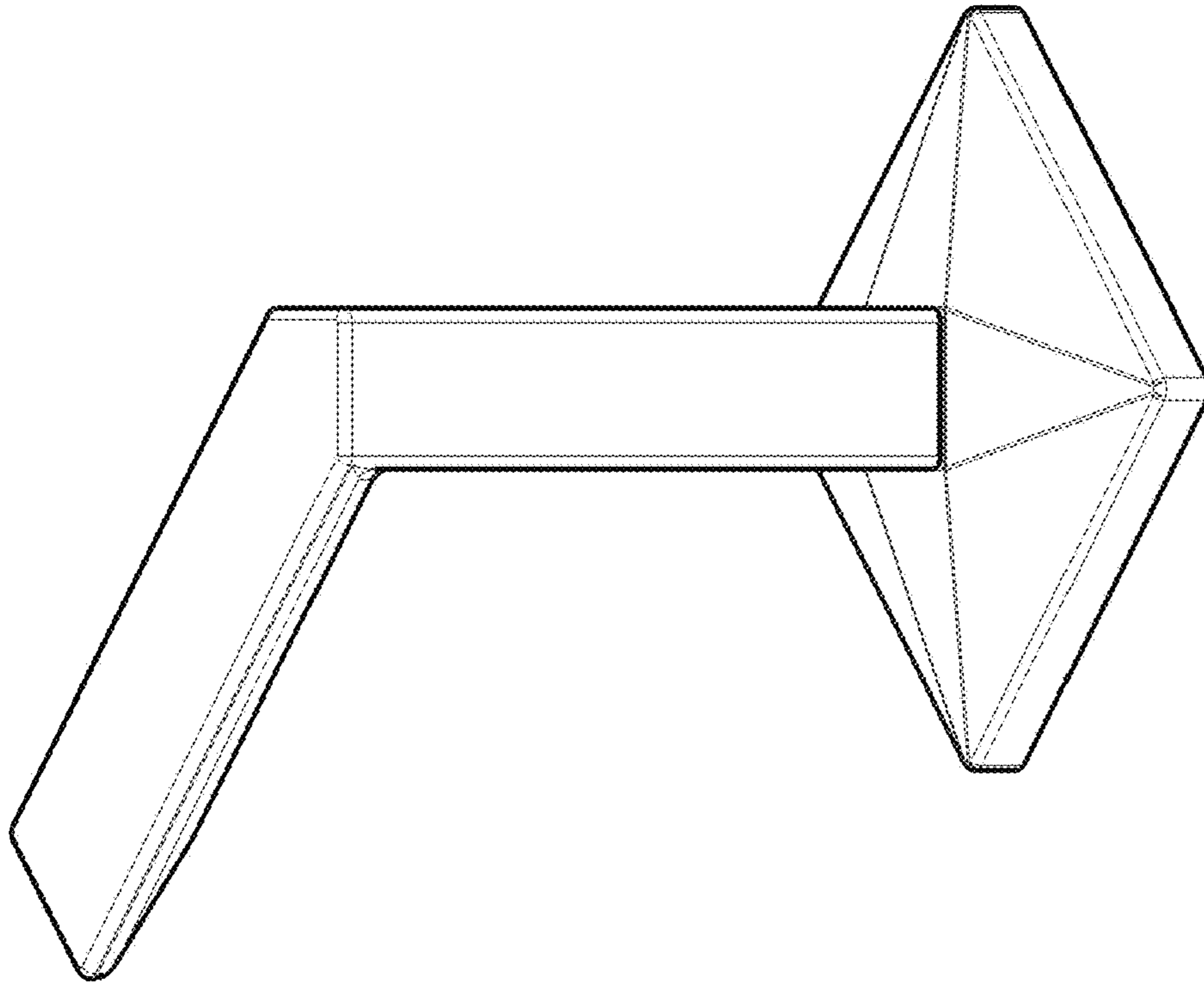


Fig. 2

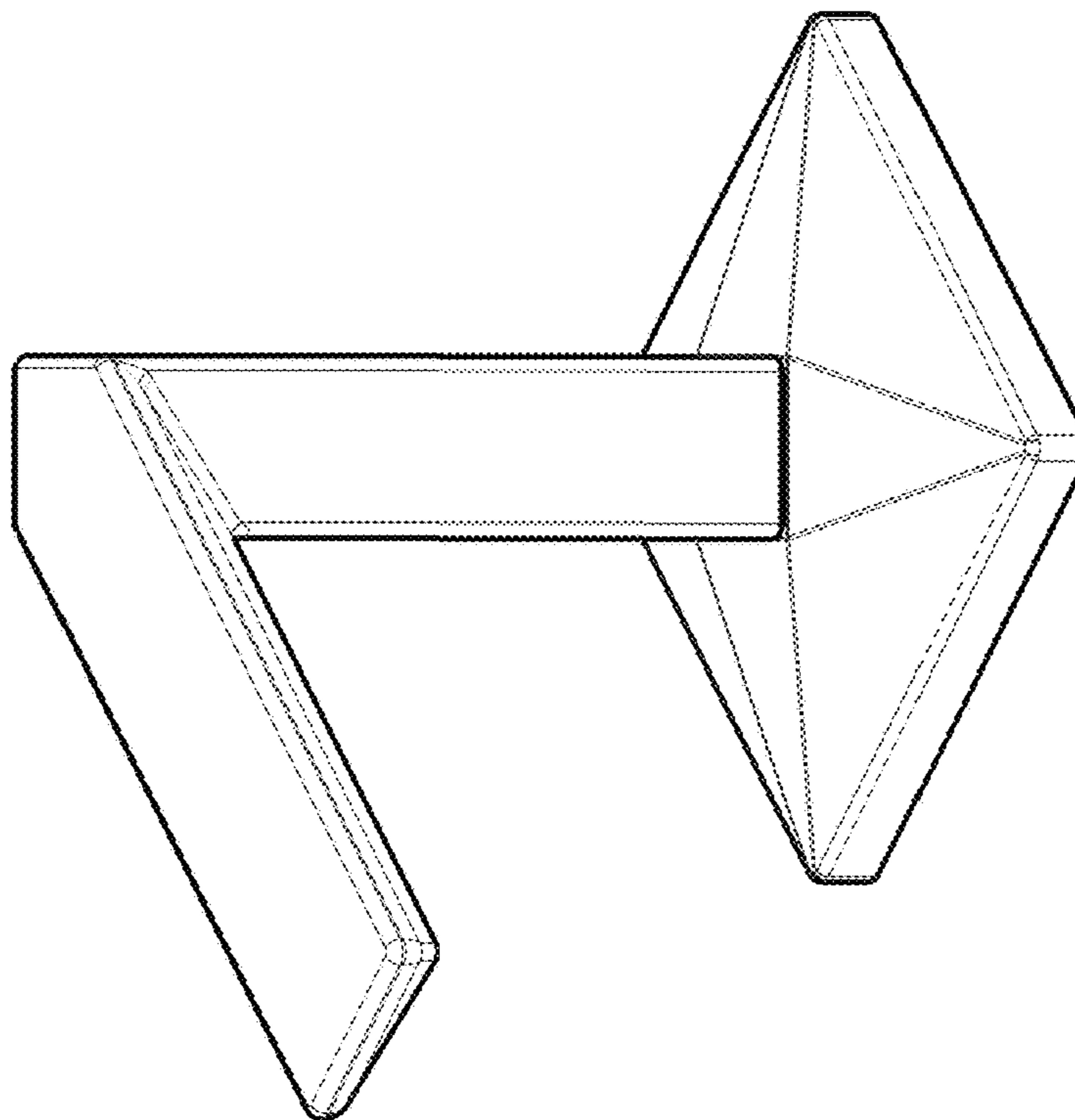


Fig. 1

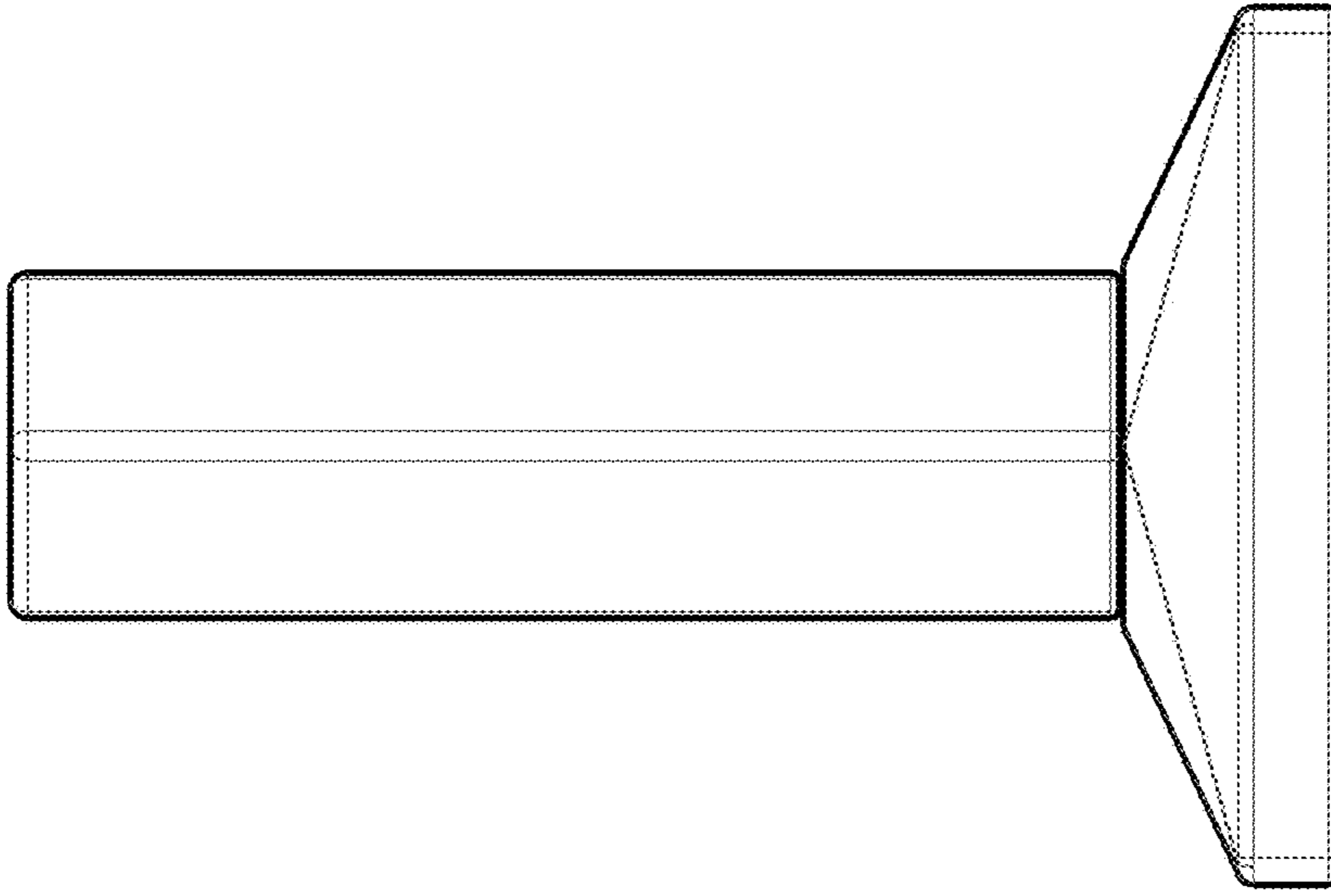


Fig. 4

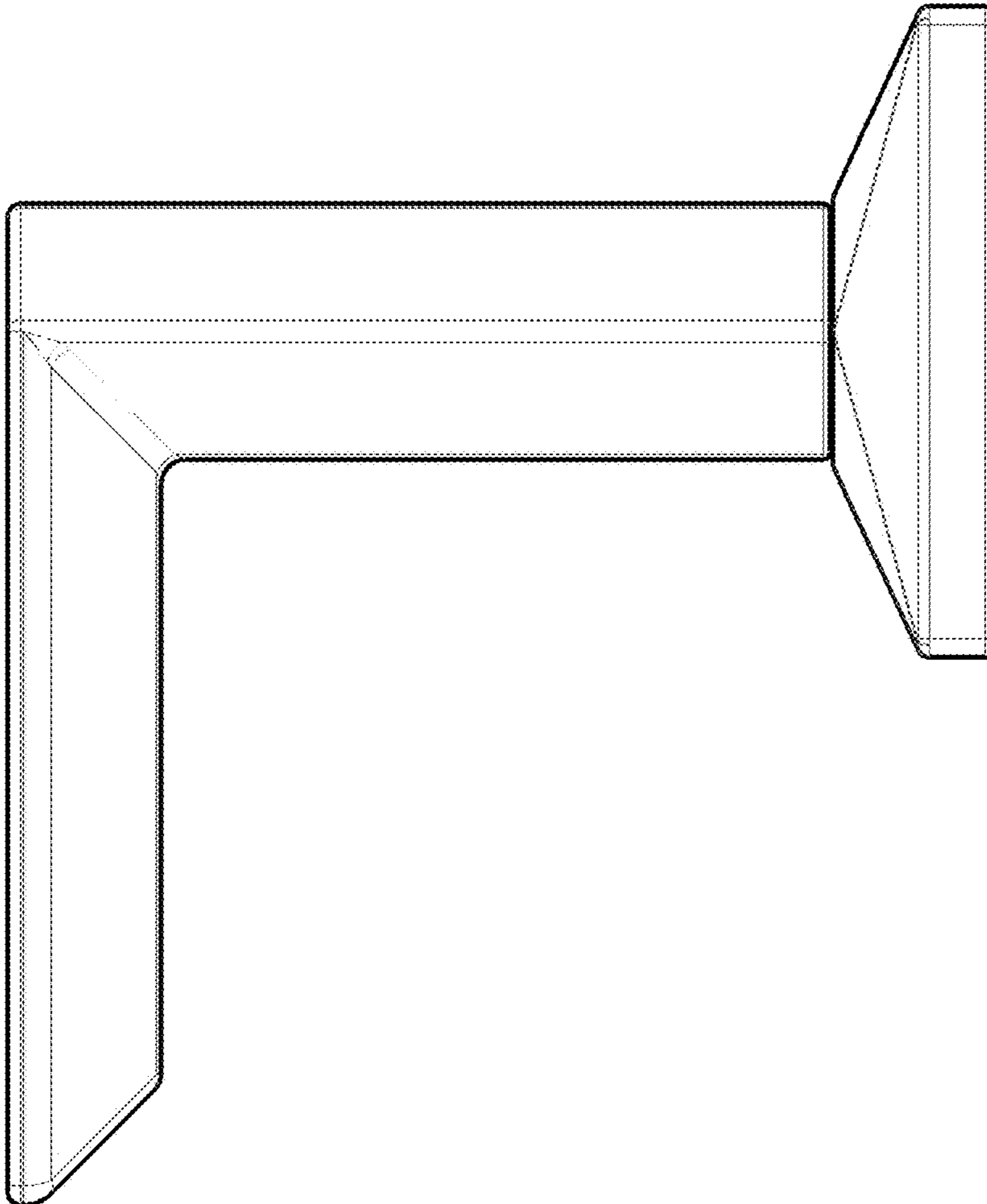


Fig. 3

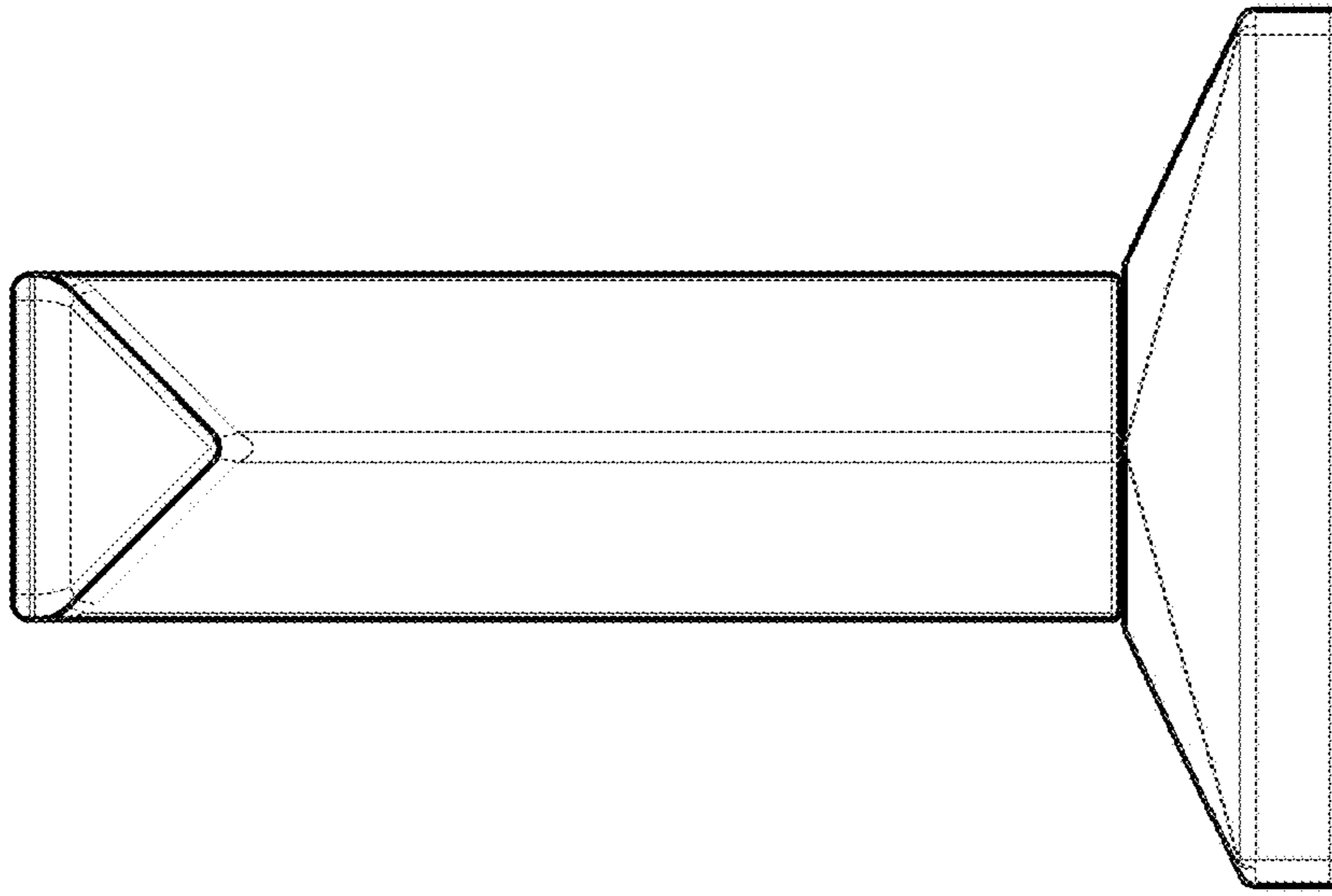


Fig. 6

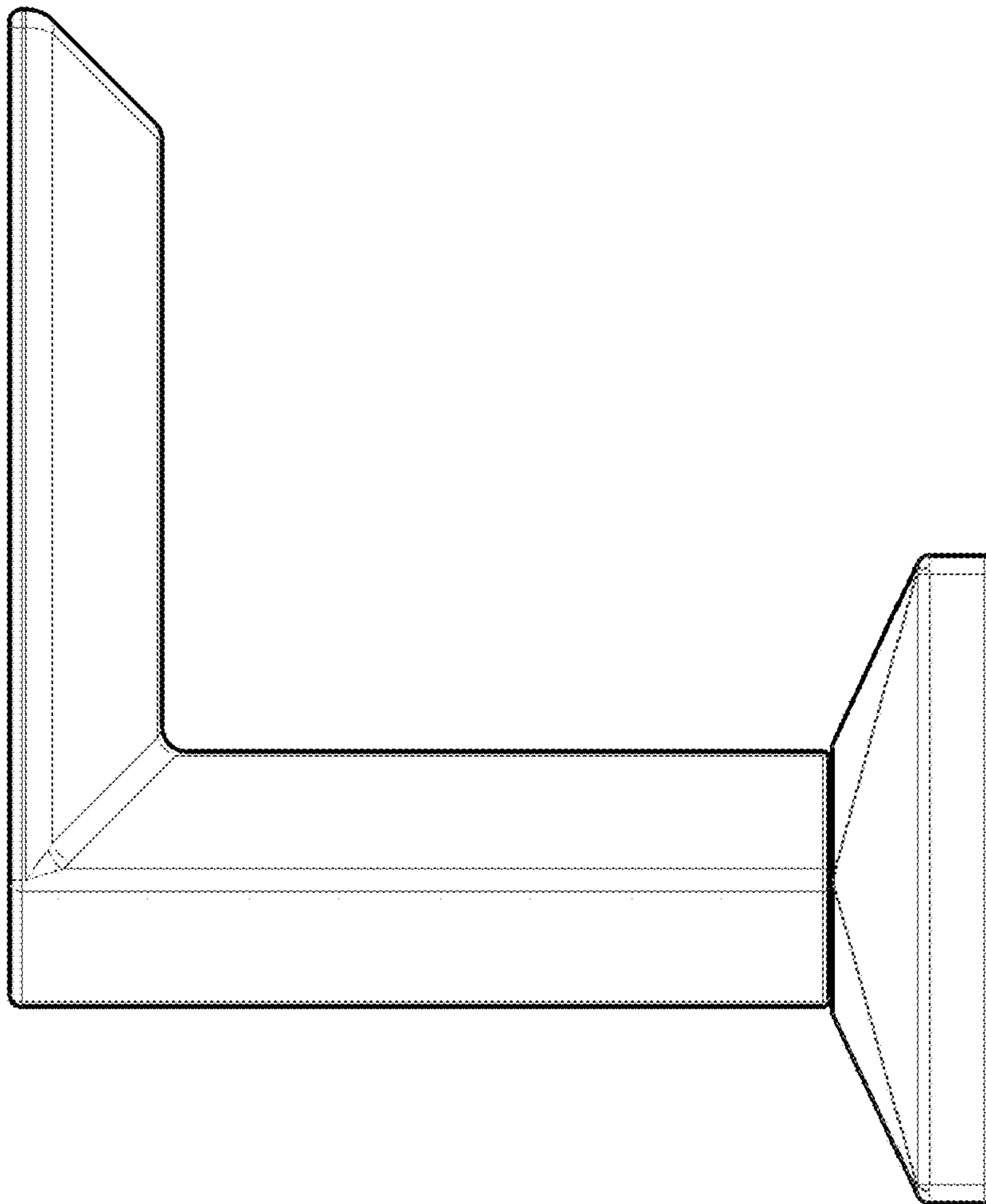


Fig. 5

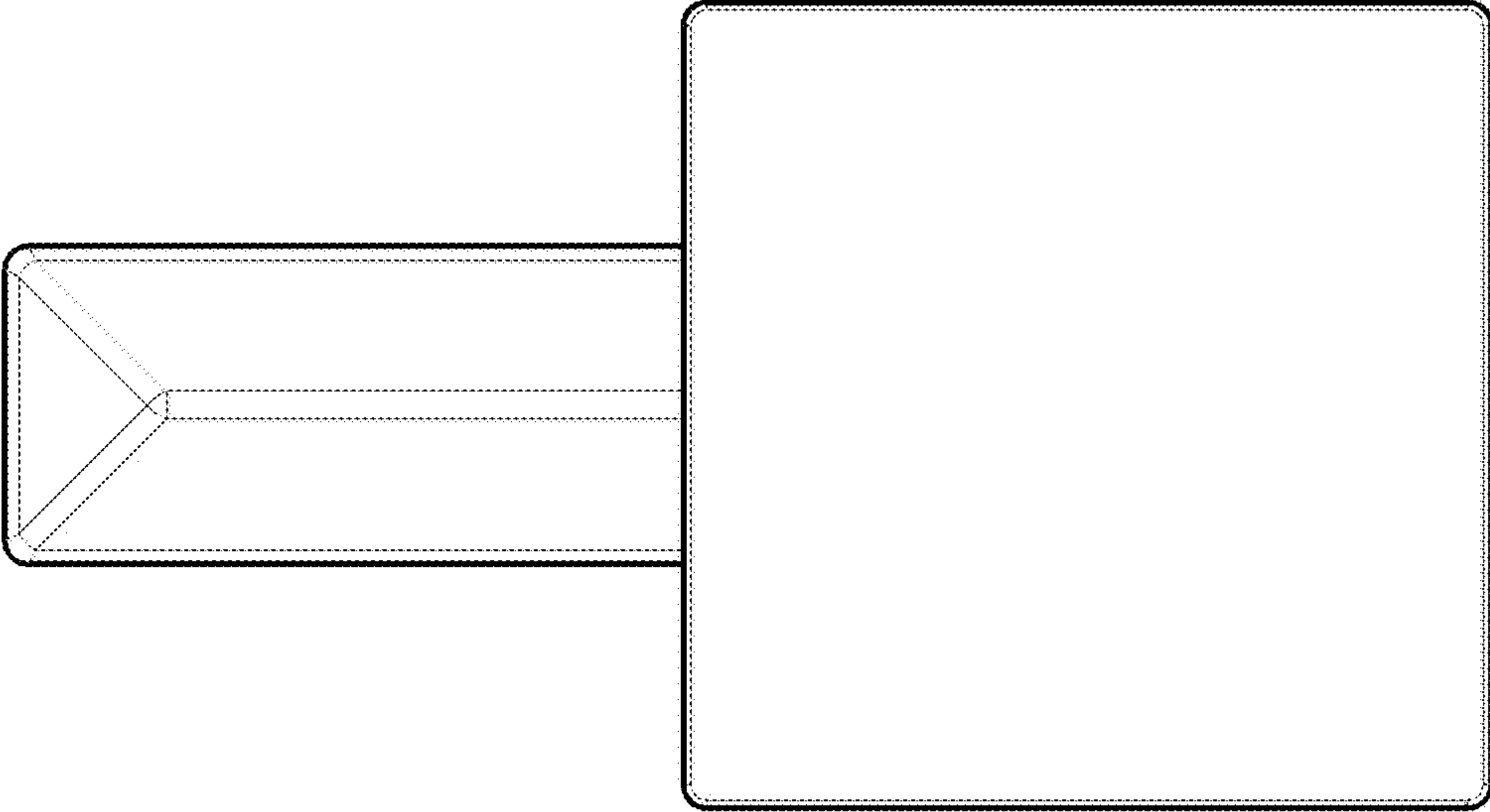


Fig. 8

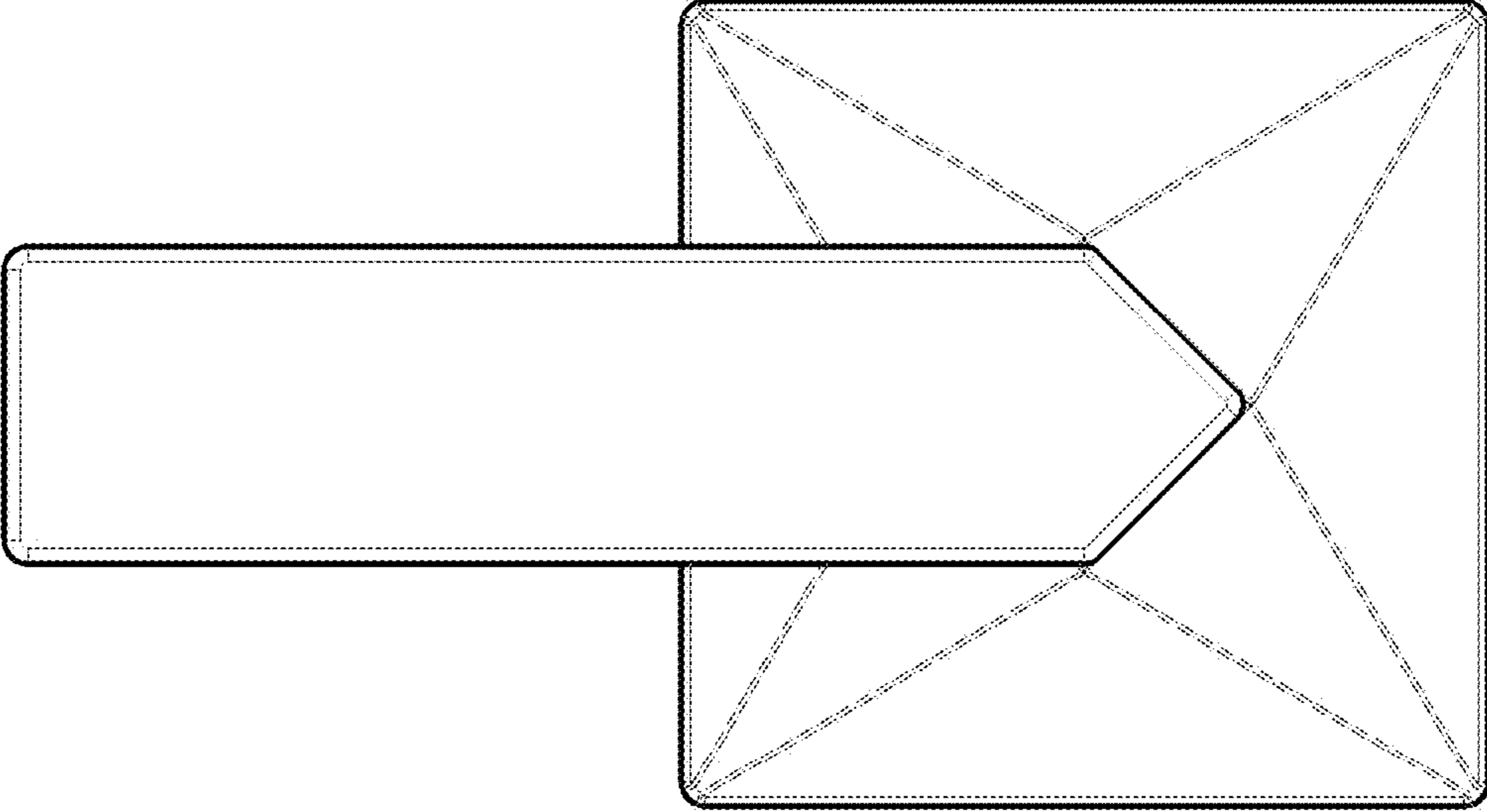


Fig. 7