



US00D858715S

(12) **United States Design Patent** (10) **Patent No.:** **US D858,715 S**  
**Morefield et al.** (45) **Date of Patent:** **\*\* Sep. 3, 2019**

(54) **REGULATOR BONNET**

D820,393 S 6/2018 Tickle  
D835,756 S \* 12/2018 Auxter ..... D23/249  
10,145,484 B2 \* 12/2018 Buermann ..... F16K 35/10

(71) Applicant: **Engineered Controls International, LLC**, Elon, NC (US)

(72) Inventors: **Patrick N. Morefield**, Burlington, NC (US); **Kevin Jordan**, Gibsonville, NC (US)

(73) Assignee: **Engineered Controls International, LLC**, Elon, NC (US)

(\*\*) Term: **15 Years**

(21) Appl. No.: **29/636,001**

(22) Filed: **Feb. 5, 2018**

(51) **LOC (12) Cl.** ..... **23-01**

(52) **U.S. Cl.**  
USPC ..... **D23/249**

(58) **Field of Classification Search**  
USPC ..... D23/233, 235, 260, 206, 237, 241-249;  
251/309; 137/232  
CPC ..... F16K 27/12; F16K 5/0663; F16K 15/205  
See application file for complete search history.

(56) **References Cited**

**U.S. PATENT DOCUMENTS**

D223,156 S \* 3/1972 Horatio ..... D23/260  
4,344,456 A 8/1982 Hostetler  
D283,740 S 5/1986 Wiesinger, II et al.  
D713,007 S \* 9/2014 Boyer ..... D23/235  
D732,642 S 6/2015 Morgan et al.  
D816,188 S \* 4/2018 Armbrister ..... D23/249

**OTHER PUBLICATIONS**

Rego L-500 Catalog, LP-Gas & Anhydrous Ammonia Equipment, dated at least as early as 2014.  
U.S. Appl. No. 29/644,683, filed Apr. 19, 2018.

\* cited by examiner

*Primary Examiner* — Cynthia Ramirez

*Assistant Examiner* — Gino Colan

(74) *Attorney, Agent, or Firm* — Neal, Gerber & Eisenberg LLP

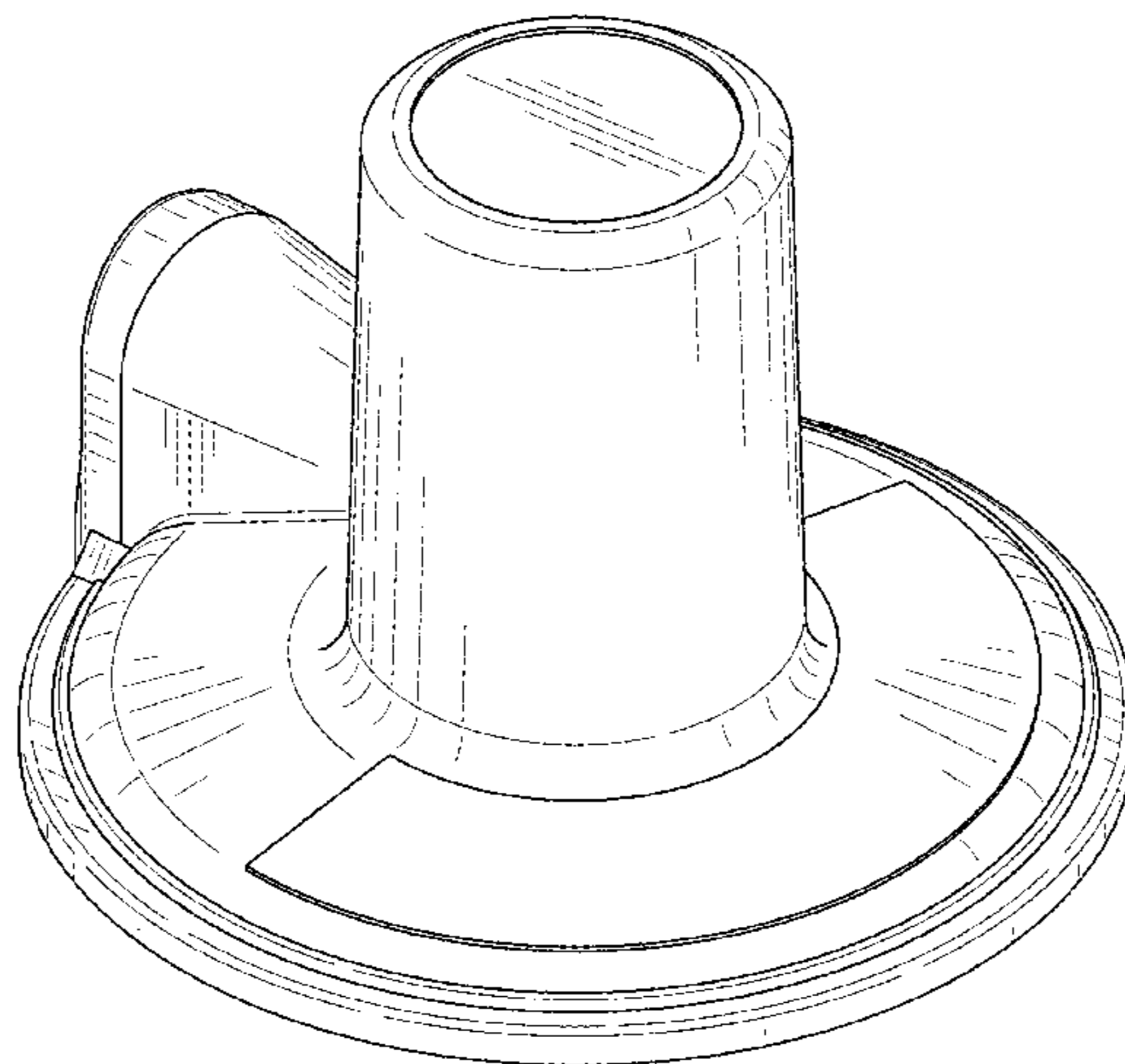
(57) **CLAIM**

The ornamental design for a regulator bonnet, as shown and described.

**DESCRIPTION**

FIG. 1 is a front, left side perspective of the regulator bonnet showing our new design;  
FIG. 2 is a left side elevational view thereof;  
FIG. 3 is a right side elevational view thereof;  
FIG. 4 is a front elevational view thereof;  
FIG. 5 is a rear elevational view thereof;  
FIG. 6 is a top plan view thereof;  
FIG. 7 is a bottom plan view thereof; and,  
FIG. 8 is a cross-sectional view along the line 8-8 in FIG. 6.  
The broken lines in FIGS. 1-8 are for the purpose of illustrating environment, and form no part of the claimed design.

**1 Claim, 6 Drawing Sheets**



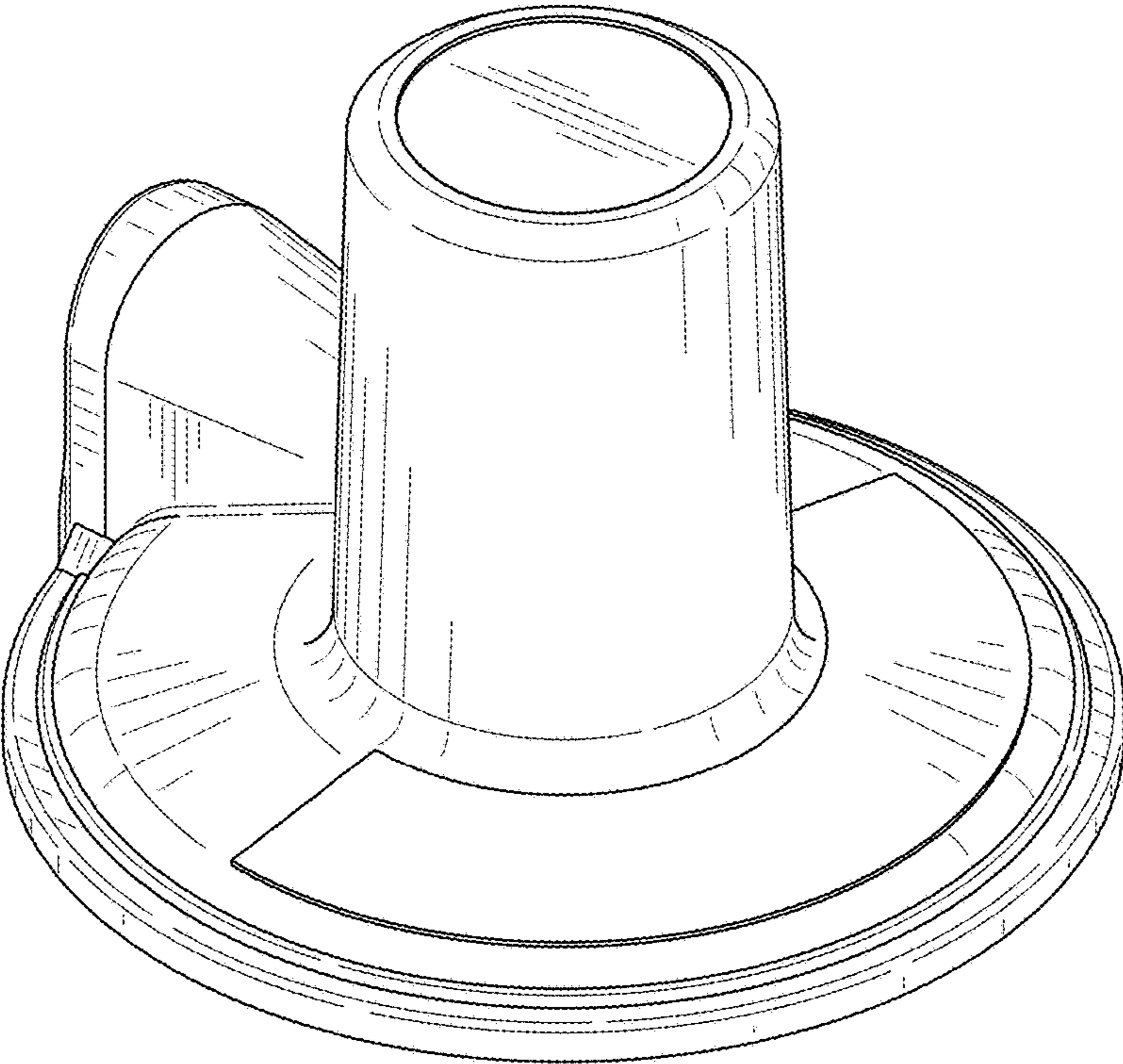


FIG. 1

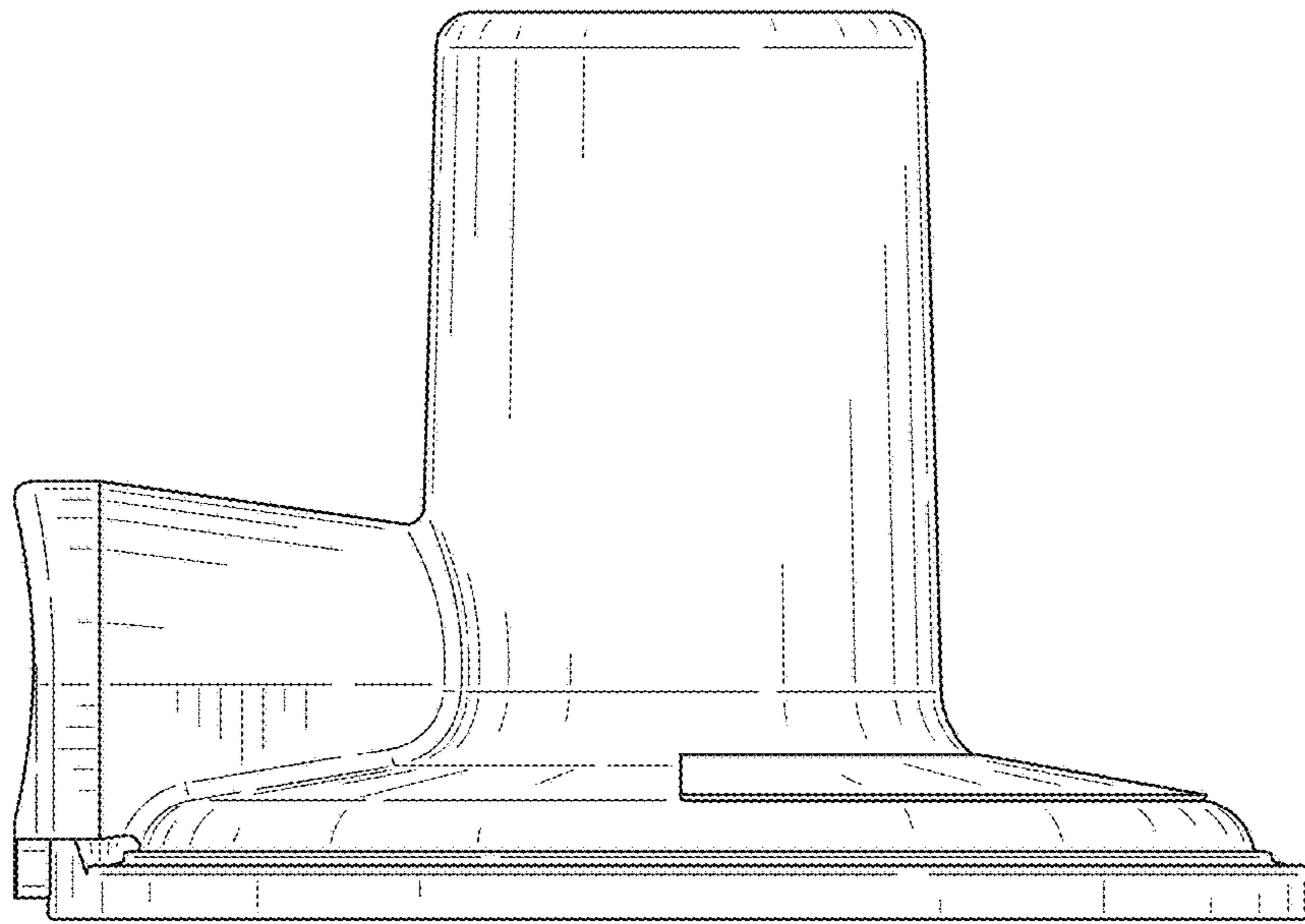


FIG. 2

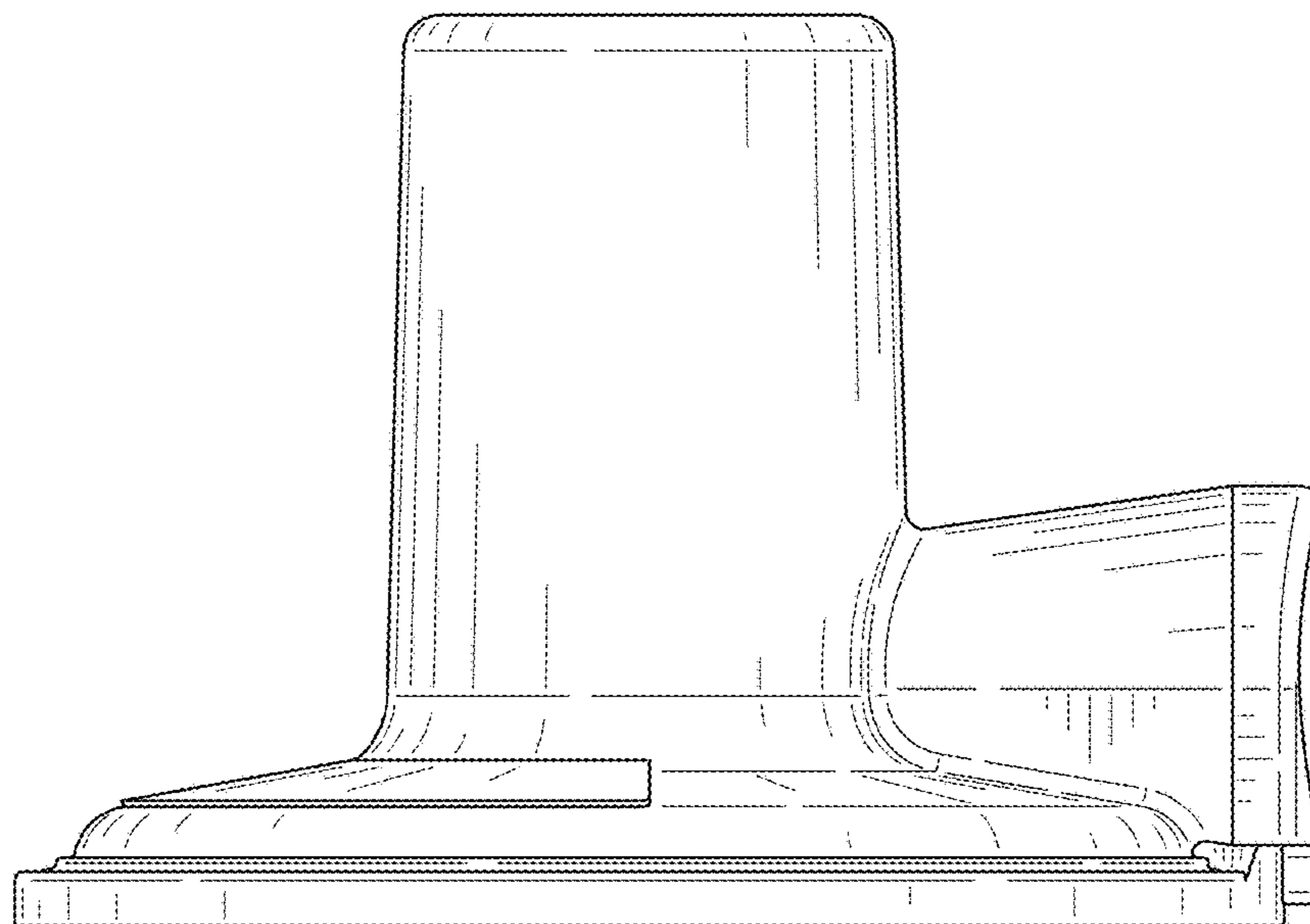


FIG. 3

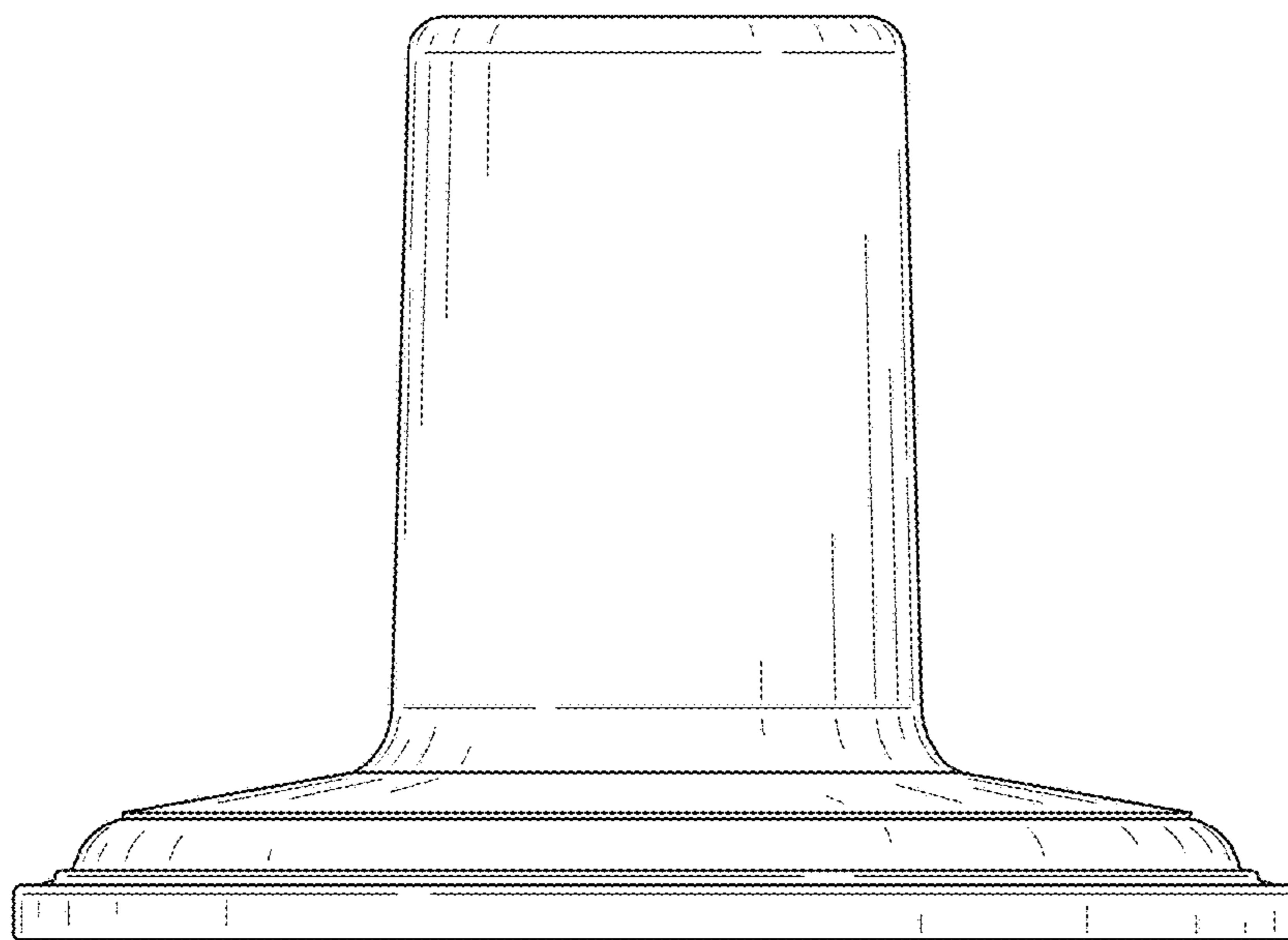


FIG. 4

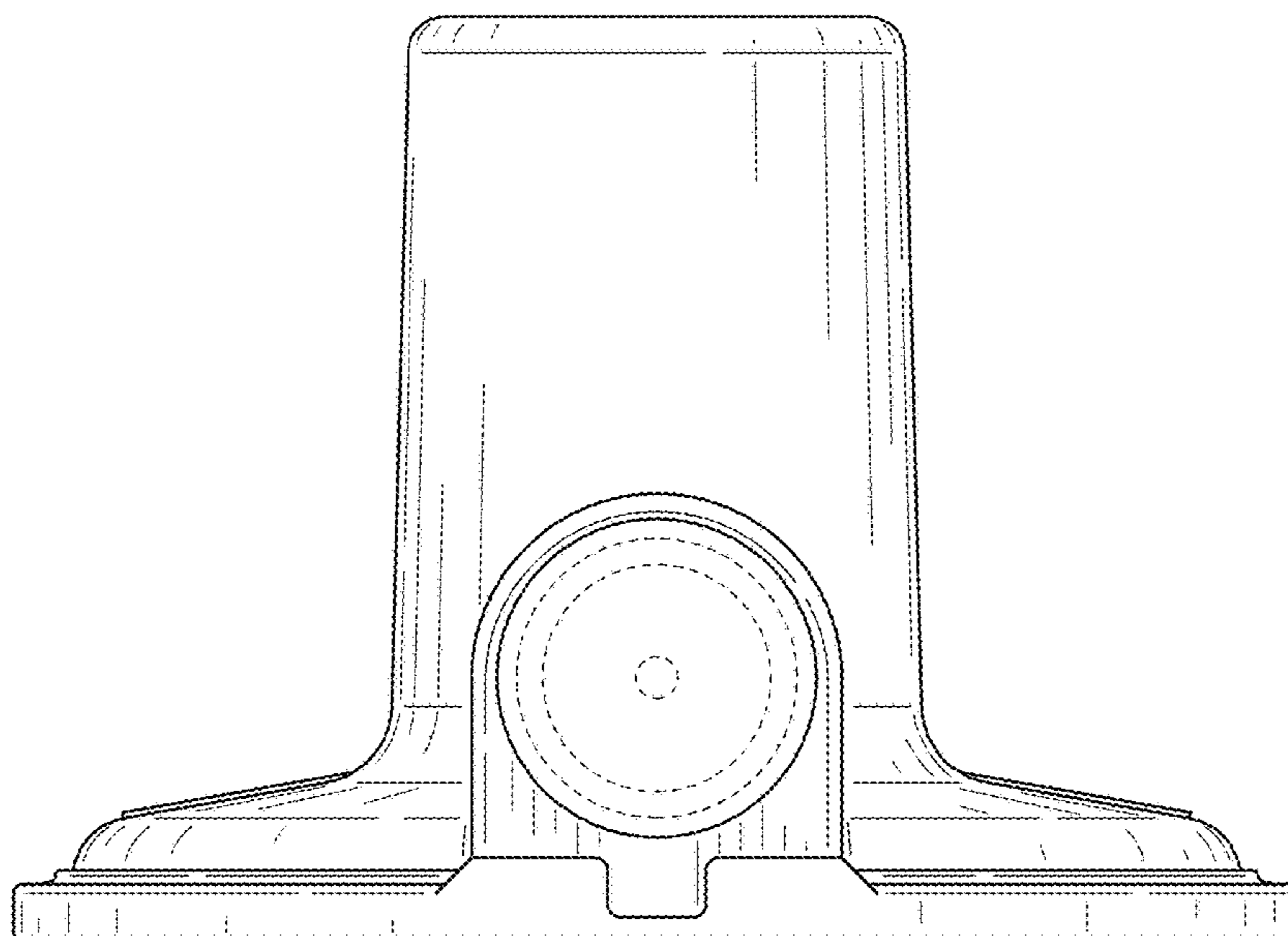


FIG. 5

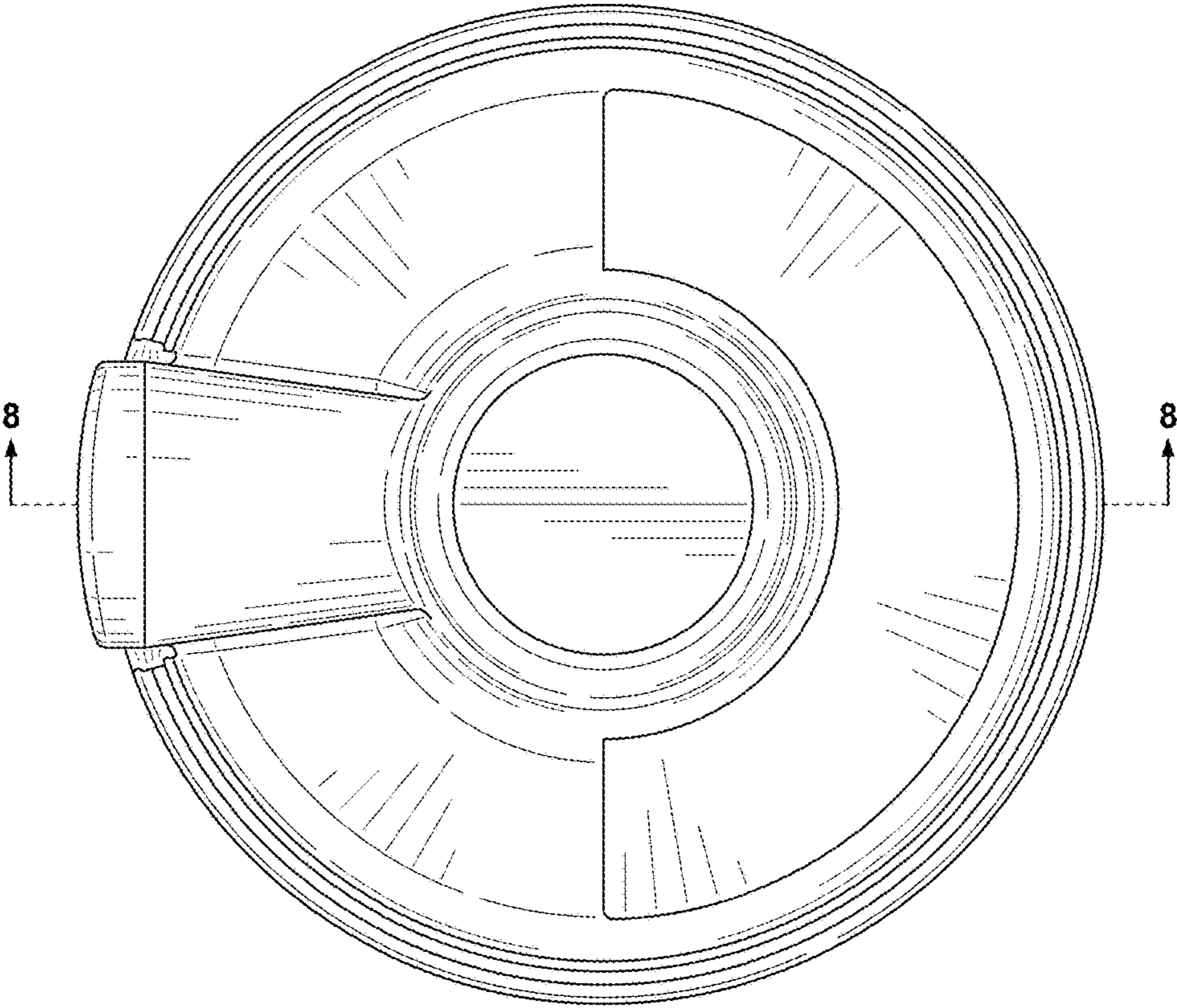


FIG. 6

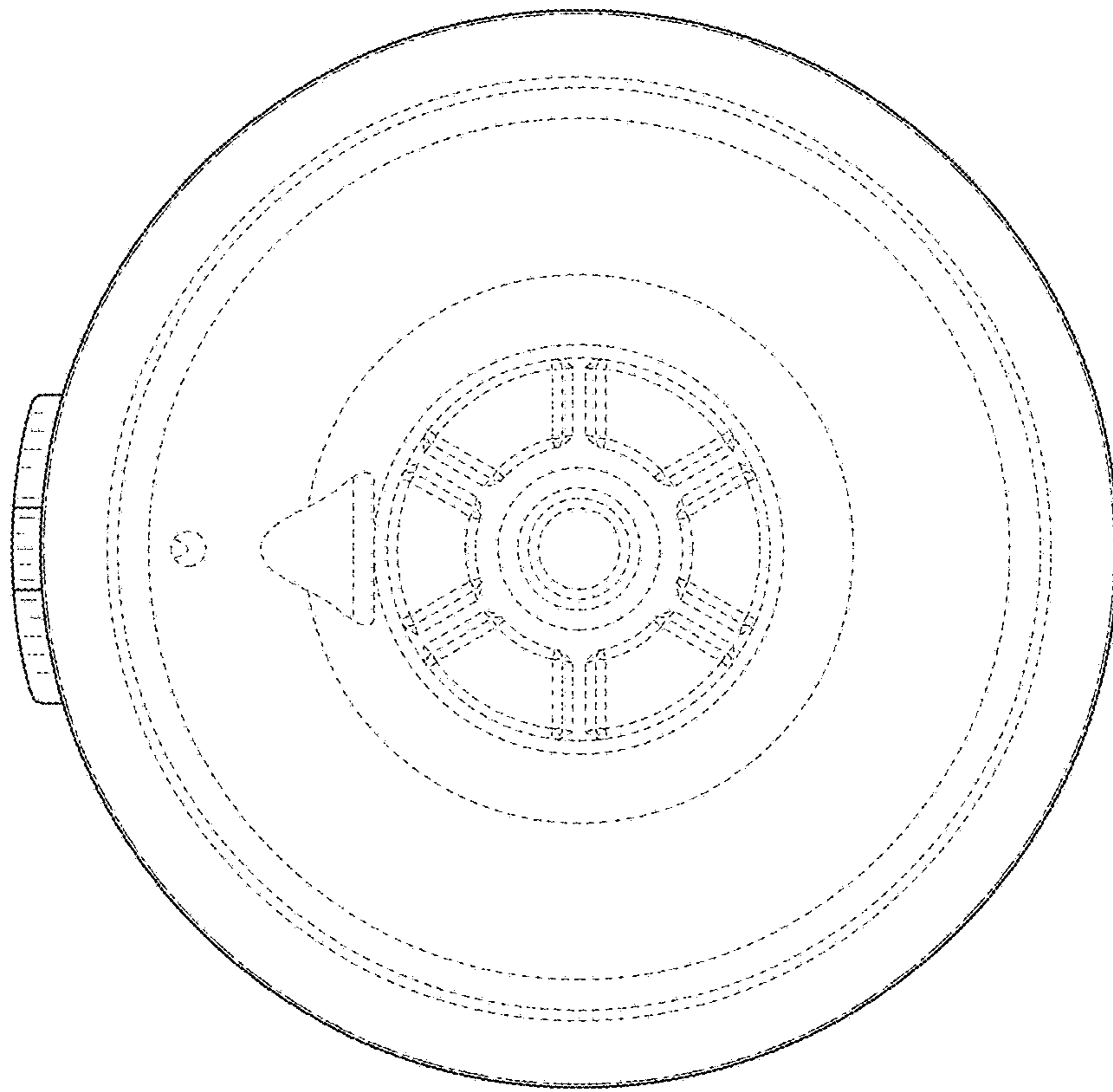


FIG. 7

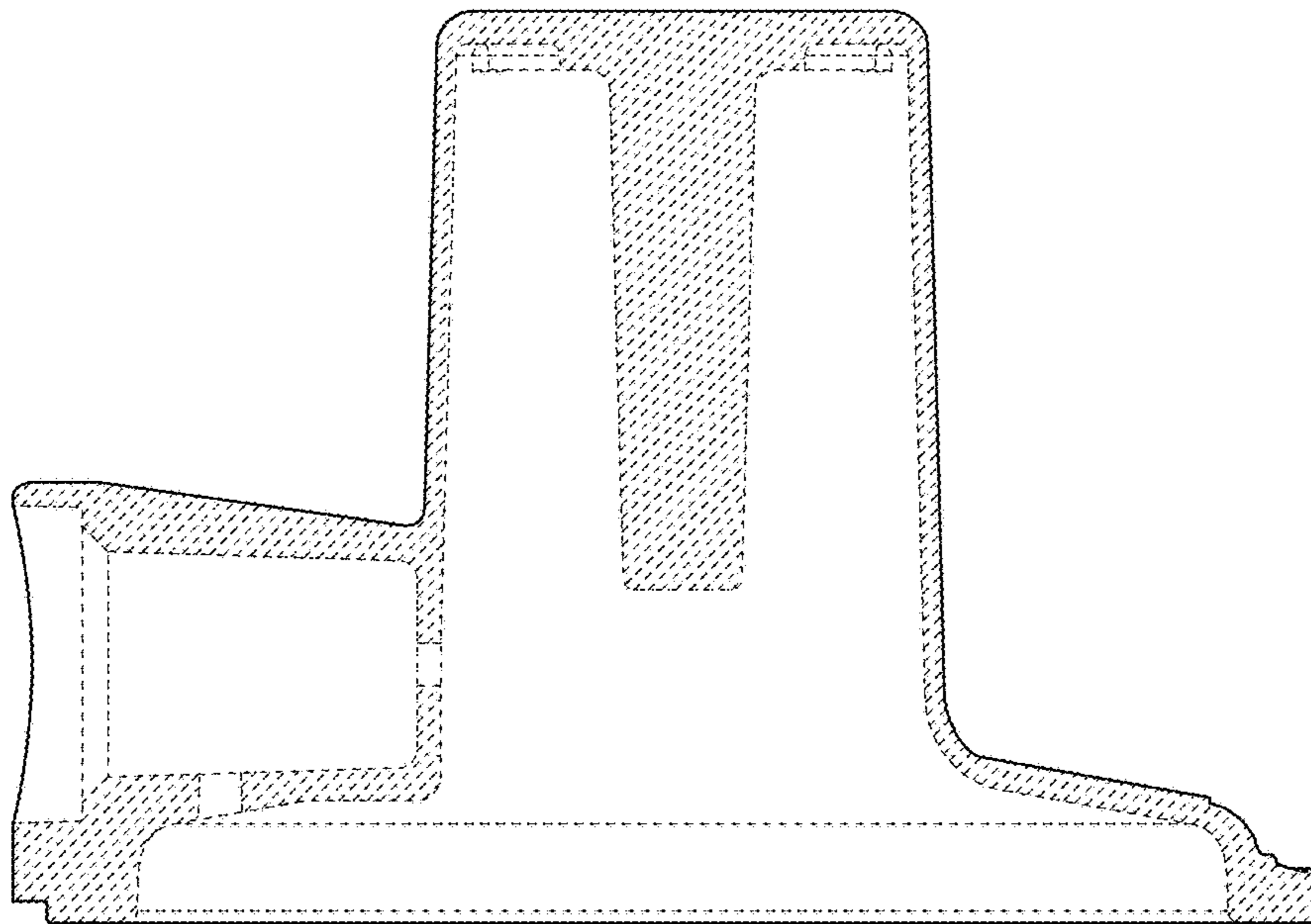


FIG. 8