



US00D858714S

(12) **United States Design Patent** (10) **Patent No.:** **US D858,714 S**  
**Garland et al.** (45) **Date of Patent:** **\*\* Sep. 3, 2019**

- (54) **FAUCET HUB**
- (71) Applicant: **DELTA FAUCET COMPANY**,  
Indianapolis, IN (US)
- (72) Inventors: **Celine Kwok Garland**, Zionsville, IN  
(US); **Song Qing Liao**, Guangdong  
(CN)
- (73) Assignee: **DELTA FAUCET COMPANY**,  
Indianapolis, IN (US)
- (\*\*) Term: **15 Years**
- (21) Appl. No.: **29/632,456**
- (22) Filed: **Jan. 8, 2018**
- (51) **LOC (12) Cl.** ..... **23-01**
- (52) **U.S. Cl.**  
USPC ..... **D23/249**
- (58) **Field of Classification Search**  
USPC ..... D23/238-243, 249, 255, 257  
See application file for complete search history.

D786,405 S *	5/2017	Schaubach	.....	D23/238
D806,832 S *	1/2018	Schoenherr	.....	D23/238
D810,875 S *	2/2018	Bahler	.....	D23/238
D810,882 S *	2/2018	Bahler	.....	D23/249
D840,508 S *	2/2019	Garland	.....	D23/238
D840,511 S *	2/2019	Garland	.....	D23/242
D840,514 S *	2/2019	Garland	.....	D23/255
2004/0112985 A1 *	6/2004	Malek	.....	E03C 1/04 239/445

\* cited by examiner

*Primary Examiner* — Robert A Delehanty

(74) *Attorney, Agent, or Firm* — Edgar A. Zarins; Nirav D. Parikh

(57) **CLAIM**

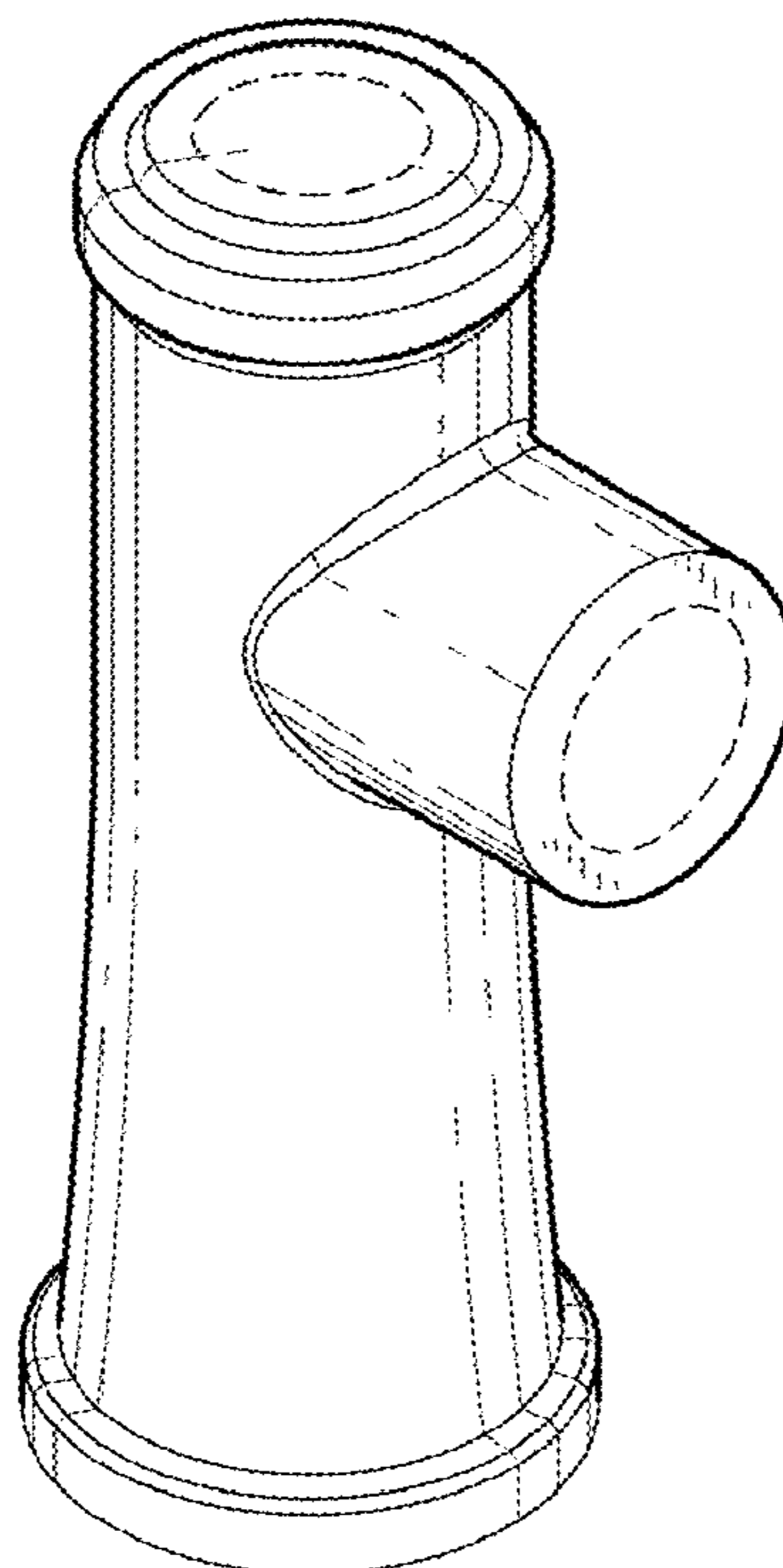
The ornamental design for a faucet hub, as shown and described.

**DESCRIPTION**

FIG. 1 is a perspective view of a faucet hub showing our new design;  
 FIG. 2 is a top plan view thereof;  
 FIG. 3 is a front elevational view thereof, the opposite side being a mirror image of the side shown;  
 FIG. 4 is a bottom view thereof;  
 FIG. 5 is a first side view thereof; and,  
 FIG. 6 is a second side view thereof.  
 The broken-line disclosure in the view represents a portion of the faucet hub in which the claimed design is embodied, but which forms no part of the claimed design.

**1 Claim, 1 Drawing Sheet**

- (56) **References Cited**  
U.S. PATENT DOCUMENTS
- D515,180 S \* 2/2006 Ouyoung ..... D23/239
- D518,558 S \* 4/2006 Soriano ..... D23/255
- D531,698 S \* 11/2006 Wood ..... D23/238
- D533,634 S \* 12/2006 Lord ..... D23/238
- D574,469 S \* 8/2008 Soriano ..... D23/255
- D611,124 S \* 3/2010 Schoenherr ..... D23/238
- D612,015 S \* 3/2010 Lammel ..... D23/238



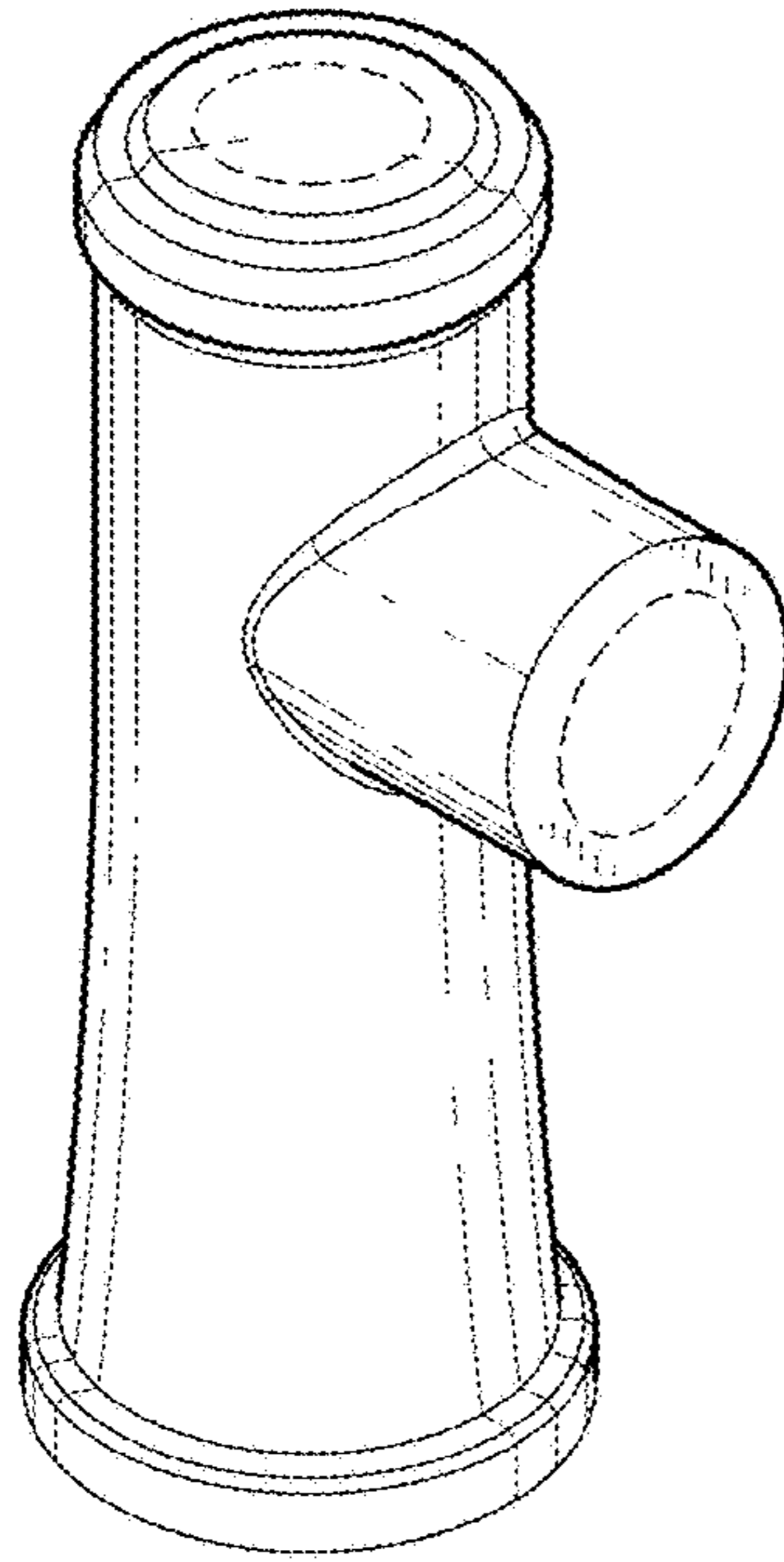


Fig-1

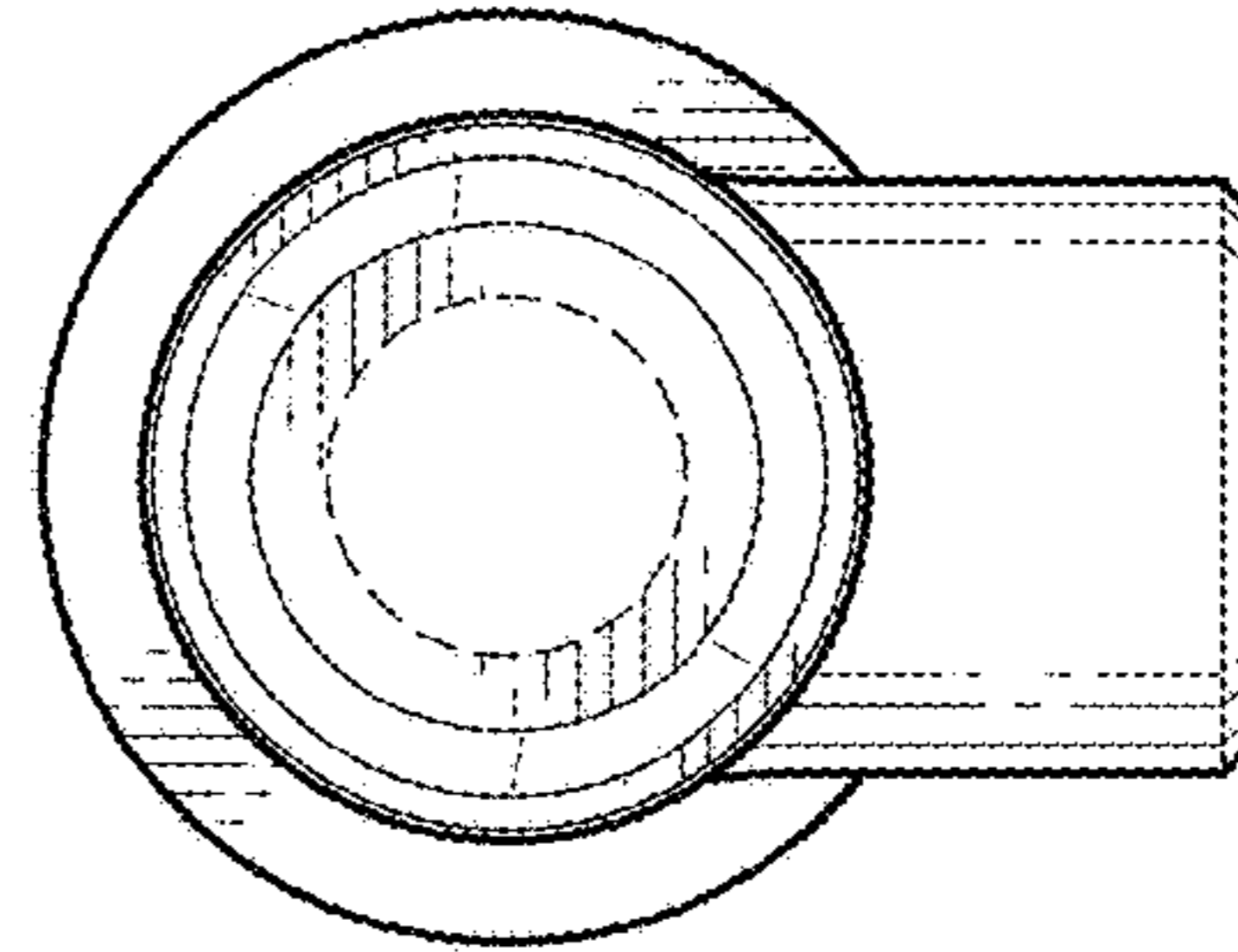


Fig-2

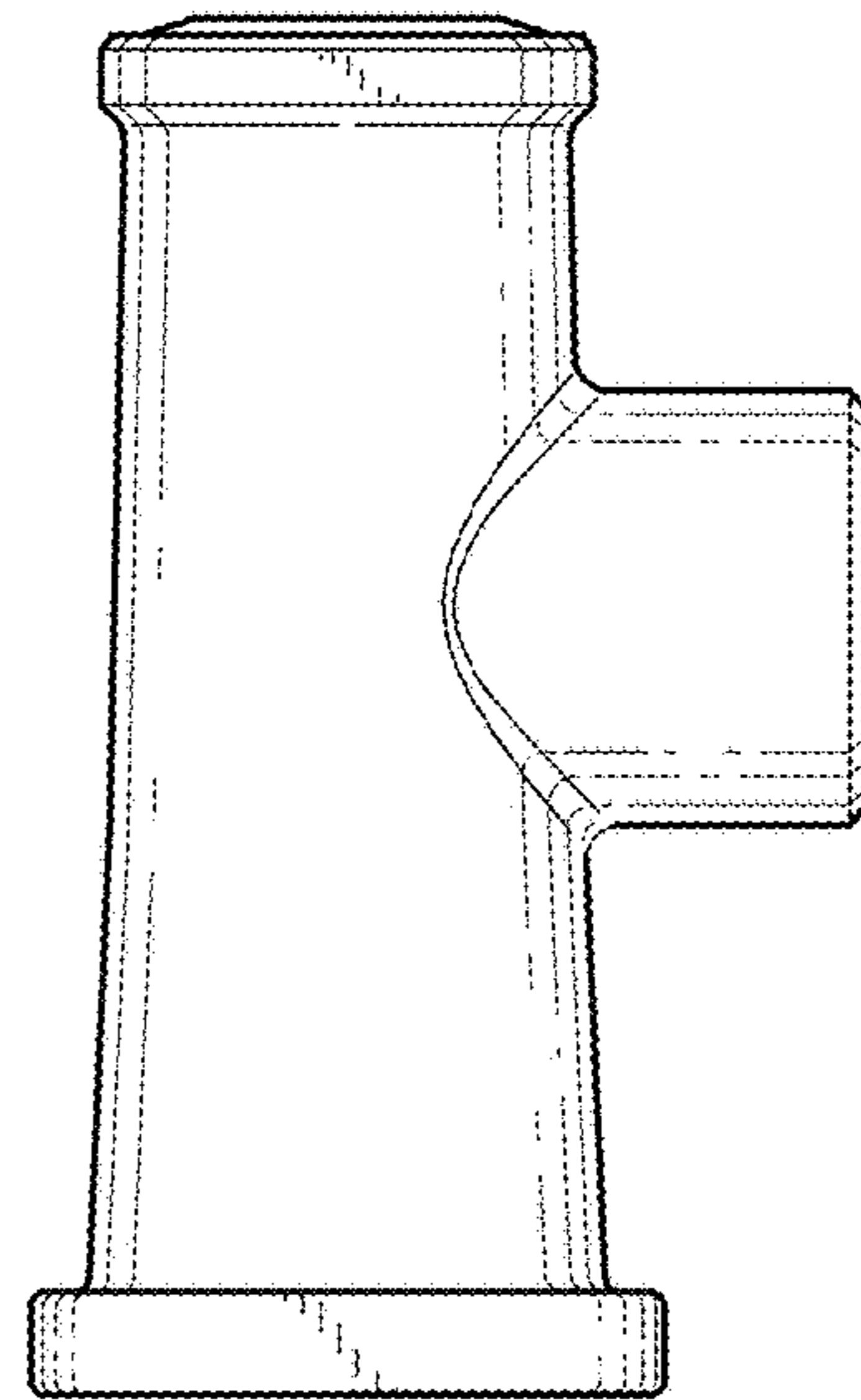


Fig-3

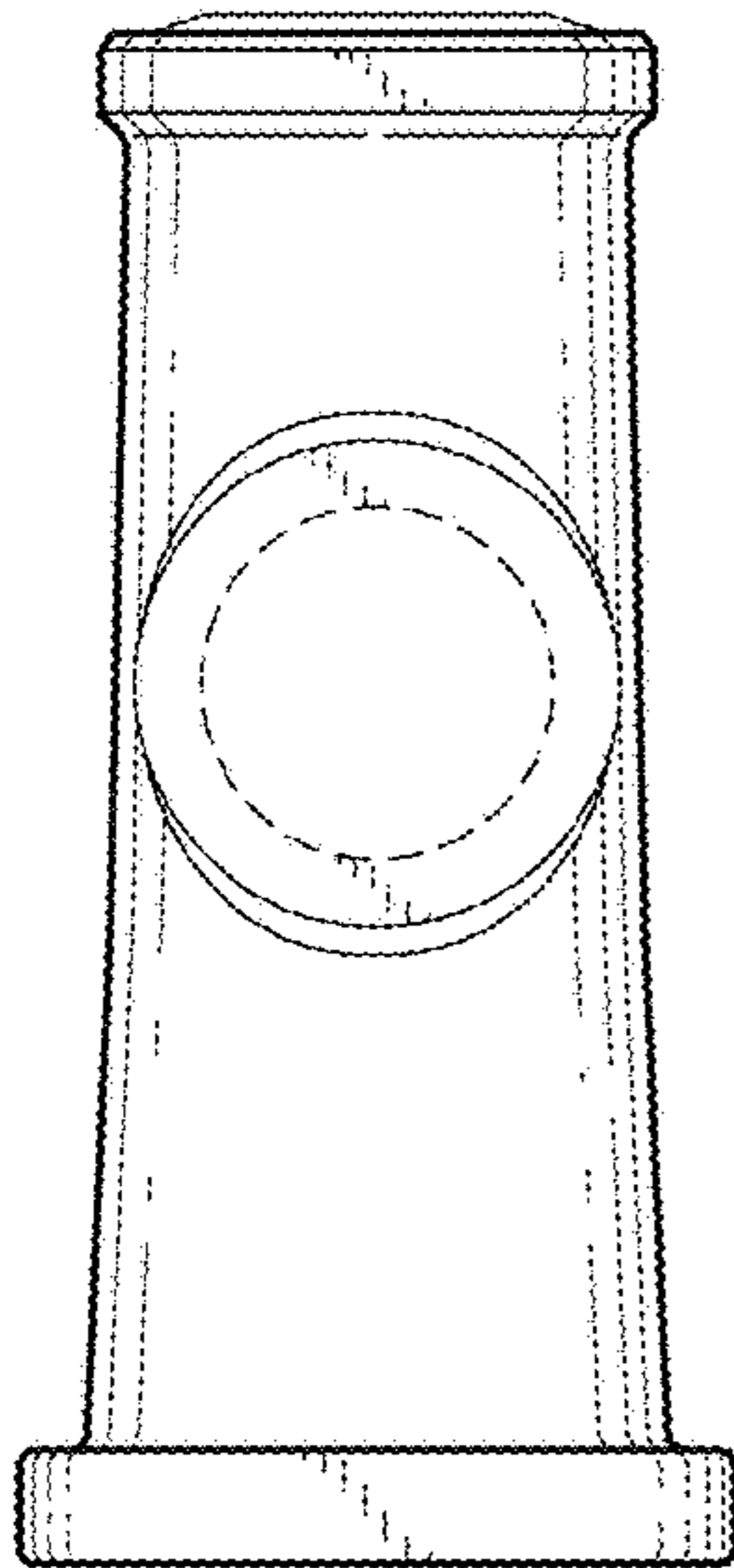


Fig-5

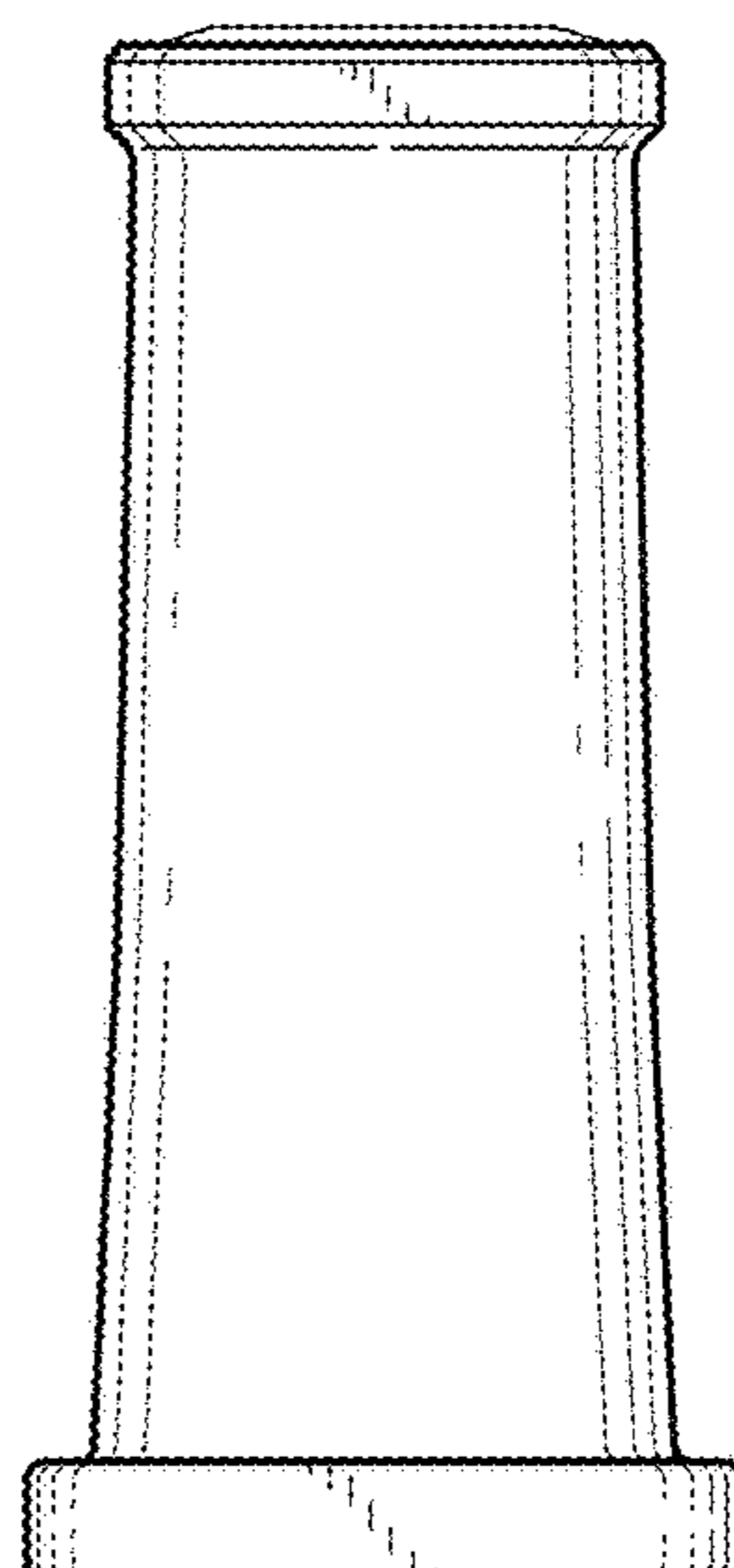


Fig-6

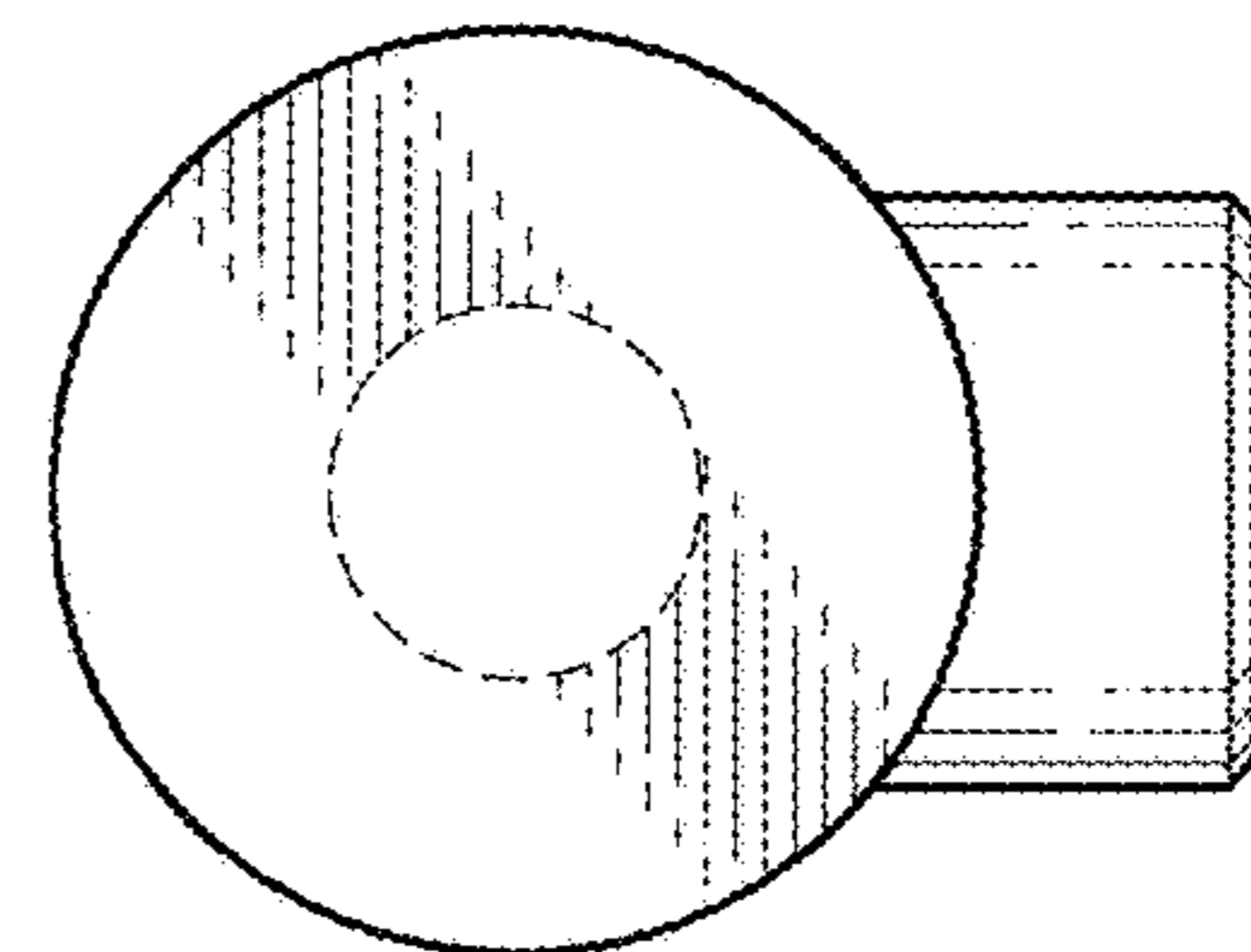


Fig-4