



US00D858713S

(12) **United States Design Patent**
Shinozaki et al.

(10) **Patent No.:** **US D858,713 S**

(45) **Date of Patent:** **** Sep. 3, 2019**

(54) **CONTROL VALVE**

(71) Applicant: **SMC CORPORATION**, Tokyo (JP)

(72) Inventors: **Kenji Shinozaki**, Koshigaya (JP);
Kenji Moriyama, Tsukubamirai (JP);
Tadaaki Saka, Kashiwa (JP)

(73) Assignee: **SMC CORPORATION**, Tokyo (JP)

(**) Term: **15 Years**

(21) Appl. No.: **29/637,896**

(22) Filed: **Feb. 22, 2018**

(30) **Foreign Application Priority Data**

Sep. 8, 2017 (CN) 2017 3 0423976

(51) **LOC (12) Cl.** **23-01**

(52) **U.S. Cl.**
USPC **D23/245**

(58) **Field of Classification Search**
USPC D23/233-237, 244-248, 262-264;
137/625.4, 636.3, 636.2, 454.6, 14, 531,
137/315.18, 533.11; 251/285, 314,
251/315.12

CPC F16K 7/17; F16K 11/0876; F16K 11/0782;
F16K 27/067; F16L 25/00

See application file for complete search history.

(56) **References Cited**

U.S. PATENT DOCUMENTS

D522,618 S * 6/2006 Matsushita D23/233
D609,306 S * 2/2010 Moriyama D23/233
D609,307 S * 2/2010 Moriyama D23/233
D616,068 S * 5/2010 Collins D23/233
D701,945 S * 4/2014 Mitsuoka D23/245
D724,181 S * 3/2015 Condon D23/233

D753,268 S * 4/2016 Nishimura D23/233
9,453,587 B2 * 9/2016 Igarashi F16K 31/44
D787,026 S * 5/2017 Filer D23/262
9,651,162 B2 * 5/2017 Hirai F16K 17/0433
9,778,128 B2 * 10/2017 Imai G01L 19/0023
9,803,767 B2 * 10/2017 Hasunuma F16K 27/02
D822,173 S * 7/2018 Yung D23/245

FOREIGN PATENT DOCUMENTS

CN 301264915 S 6/2010
CN 301301720 S 8/2010
JP D1115632 S 7/2001
JP D1411228 S 4/2011

* cited by examiner

Primary Examiner — Cynthia Ramirez

Assistant Examiner — Gino Colan

(74) *Attorney, Agent, or Firm* — Birch, Stewart, Kolasch
& Birch, LLP

(57) **CLAIM**

The ornamental design for a control valve, as shown and described.

DESCRIPTION

FIG. 1 is a front, top and right side perspective view of a control valve showing our new design;
FIG. 2 is a rear, bottom and left side perspective view thereof;
FIG. 3 is a front view thereof;
FIG. 4 is a rear view thereof;
FIG. 5 is a top plan view thereof;
FIG. 6 is a bottom plan view thereof;
FIG. 7 is a left side view thereof; and,
FIG. 8 is a right side view thereof.

The broken lines depict portions of the control valve that form no part of the claimed design.

1 Claim, 8 Drawing Sheets

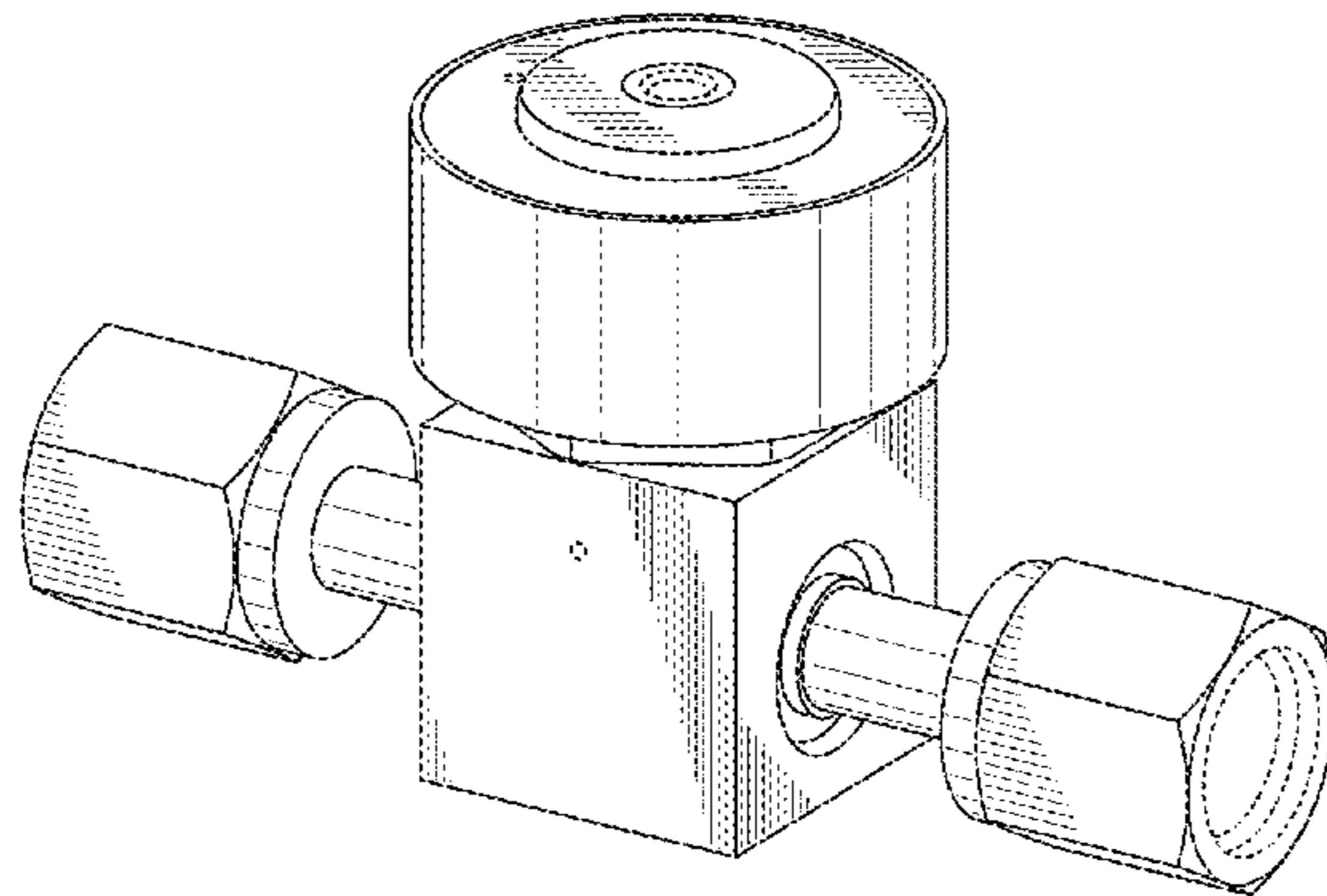


FIG. 1

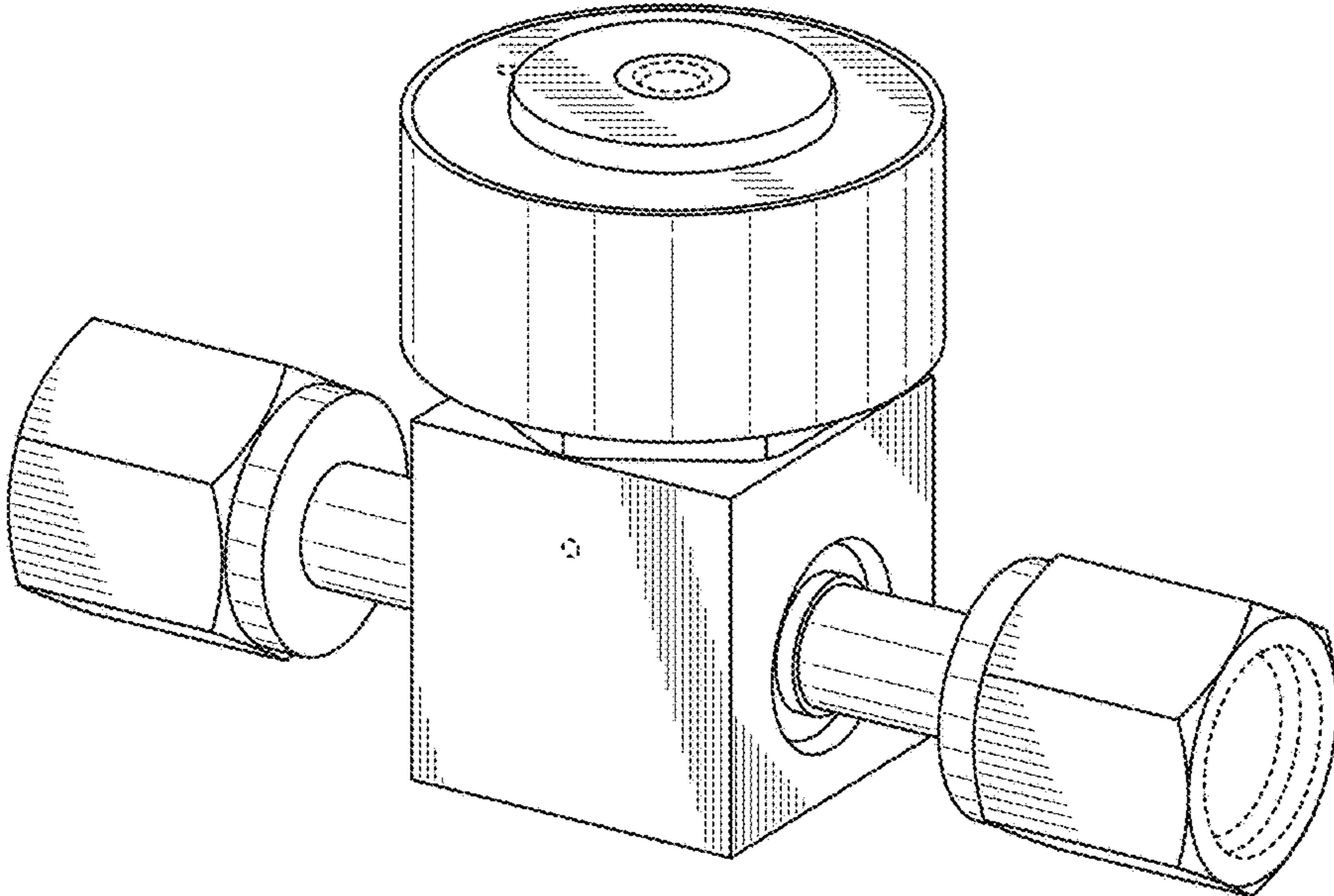


FIG. 2

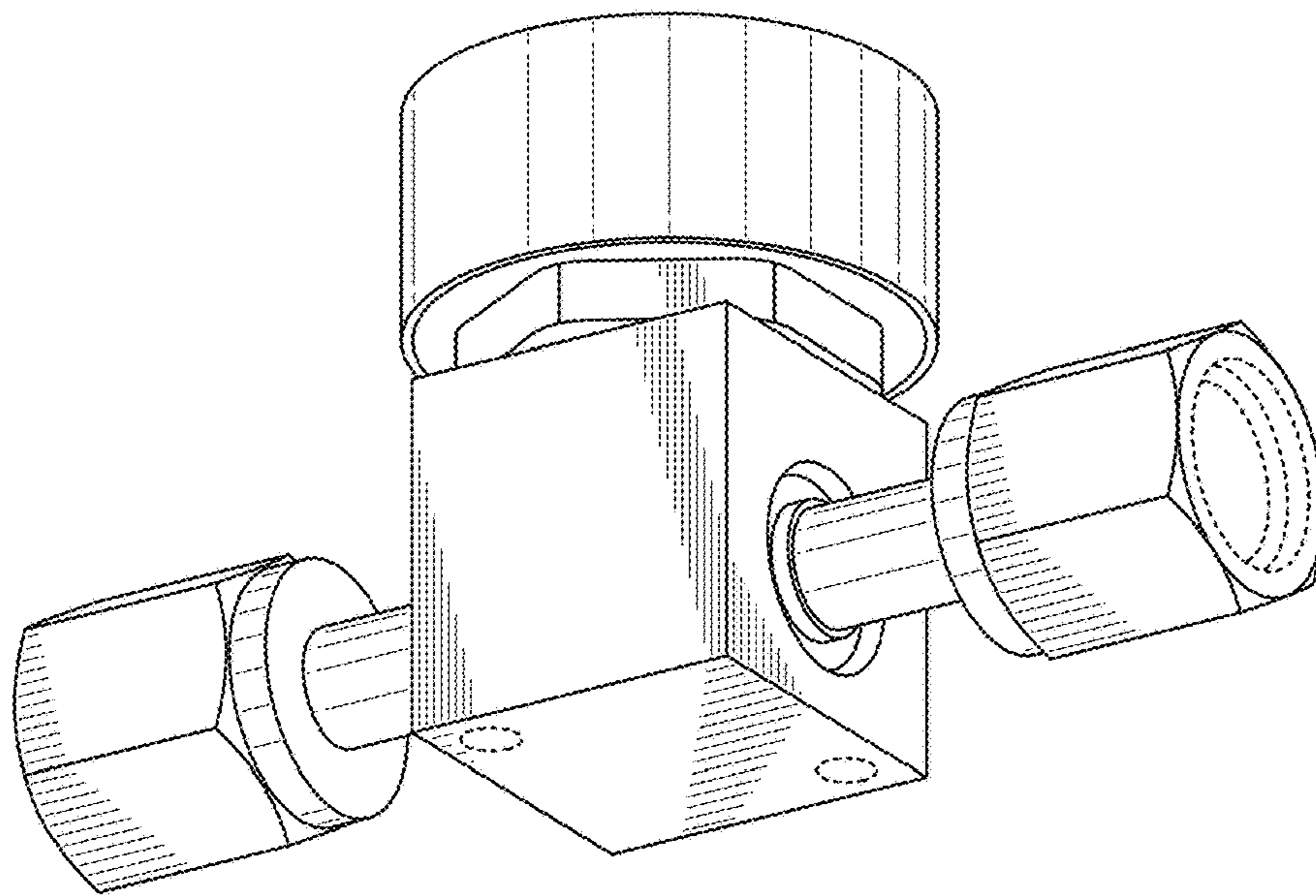


FIG. 3

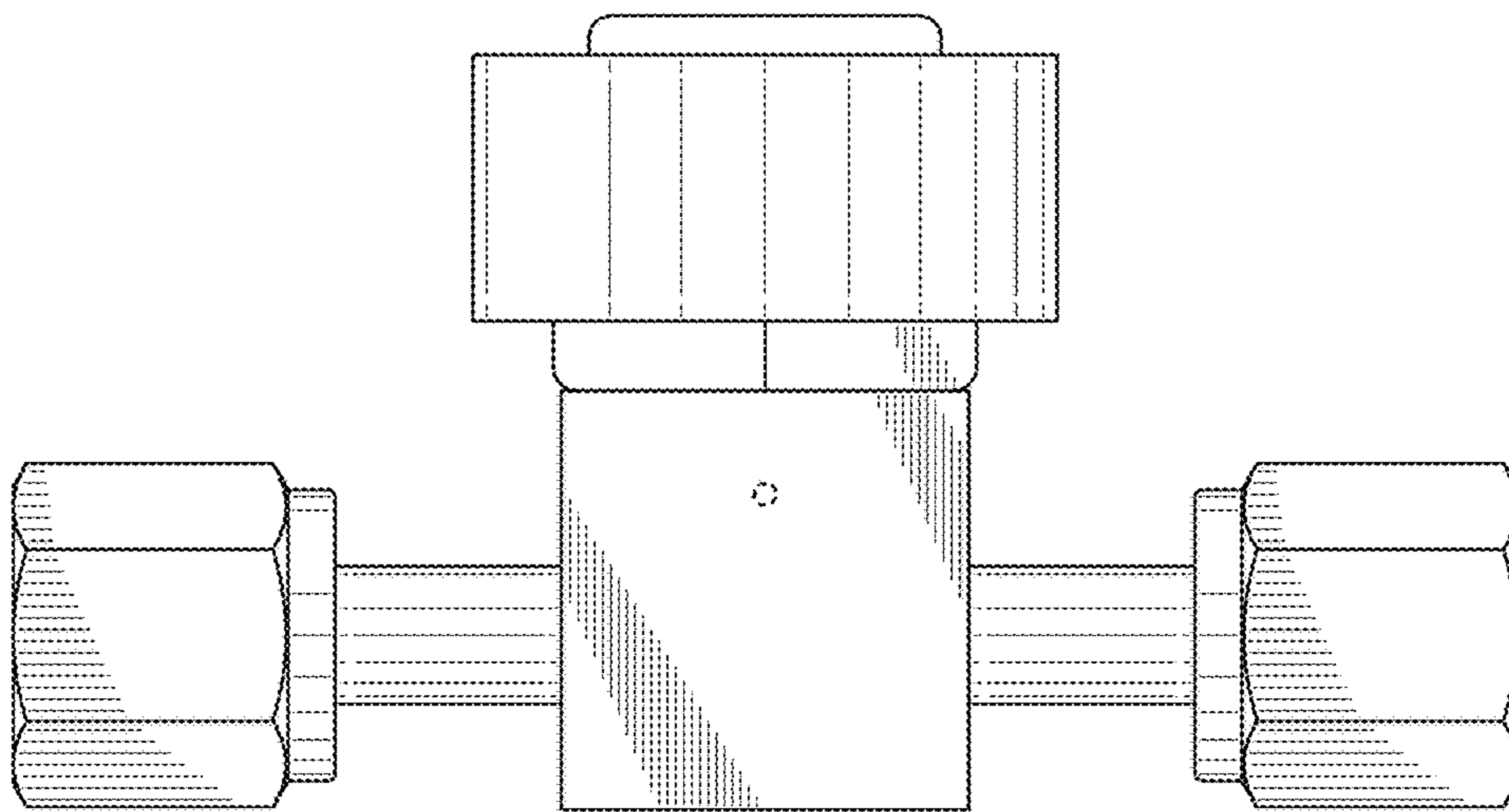


FIG. 4

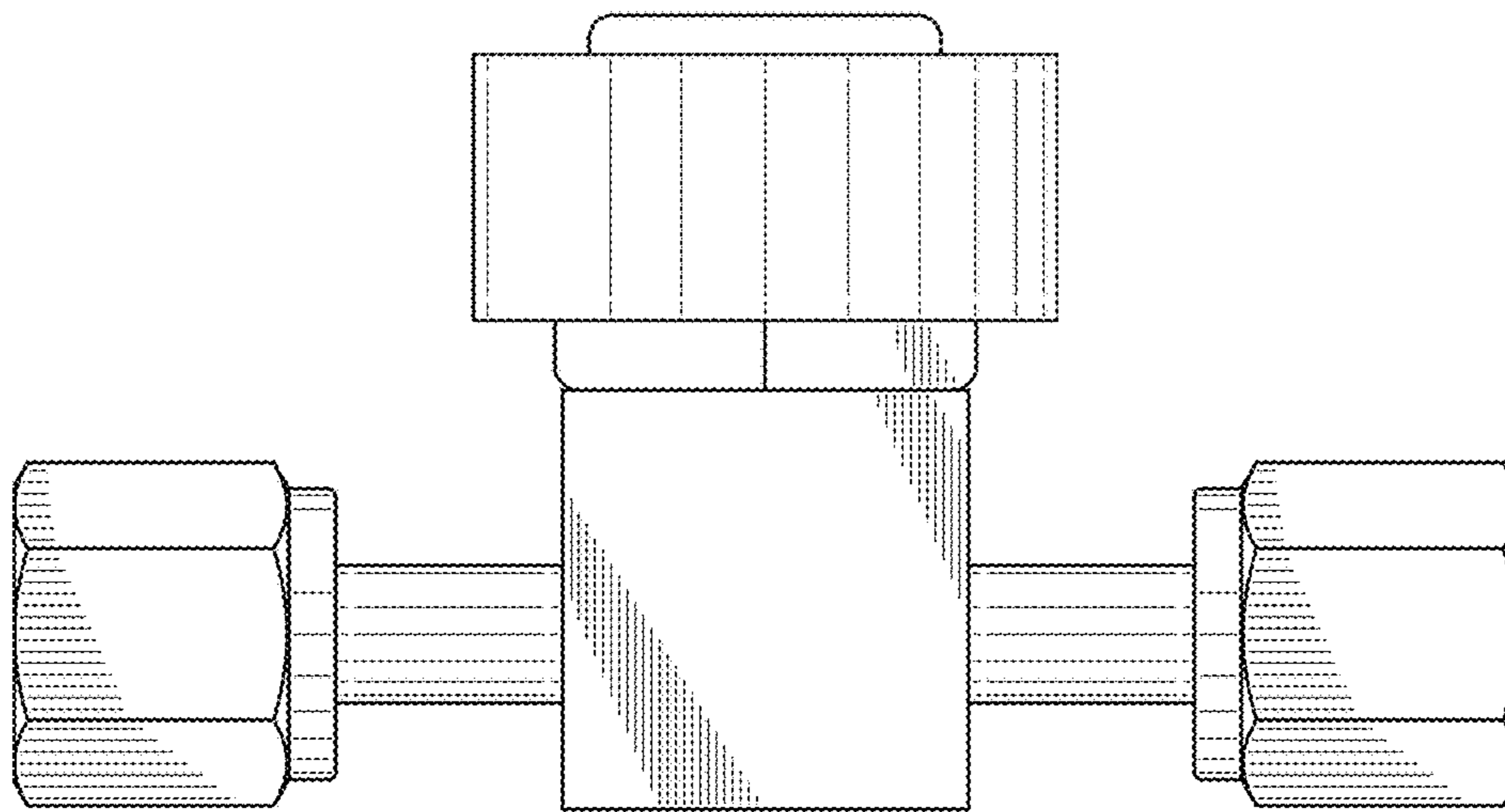


FIG. 5

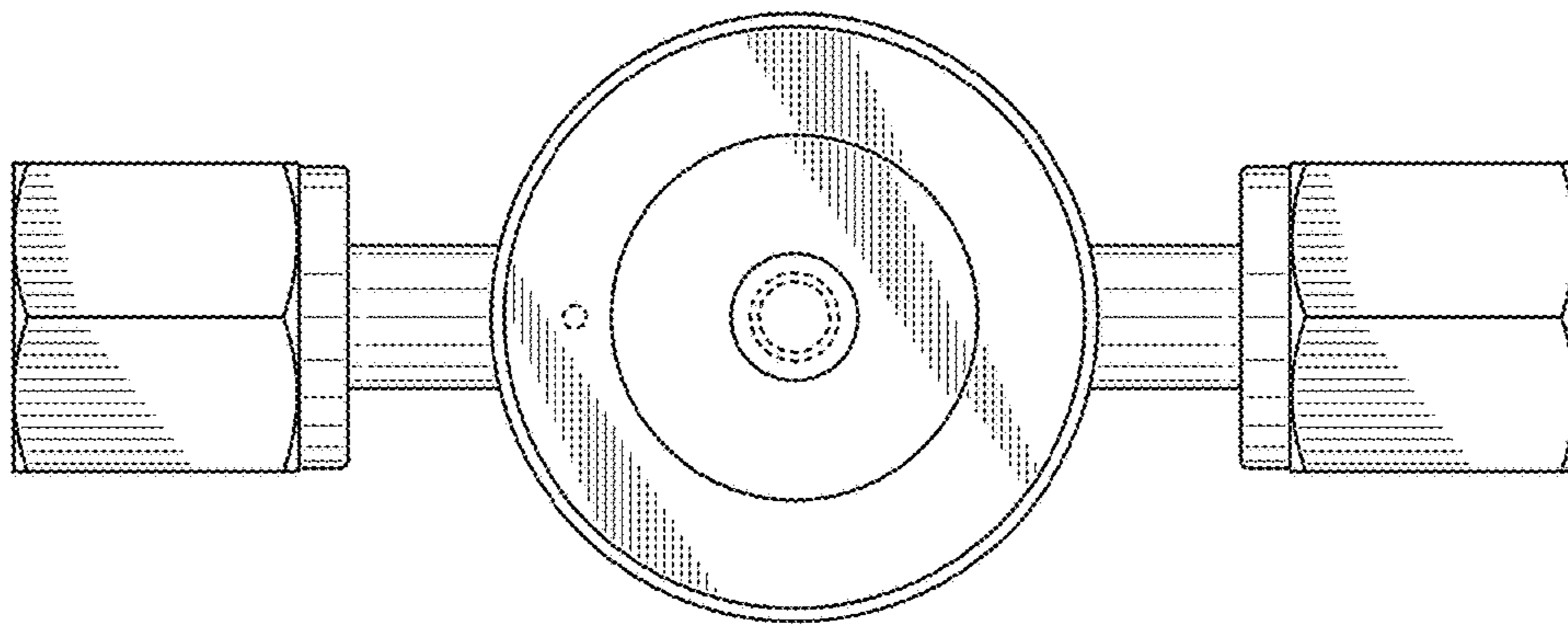


FIG. 6

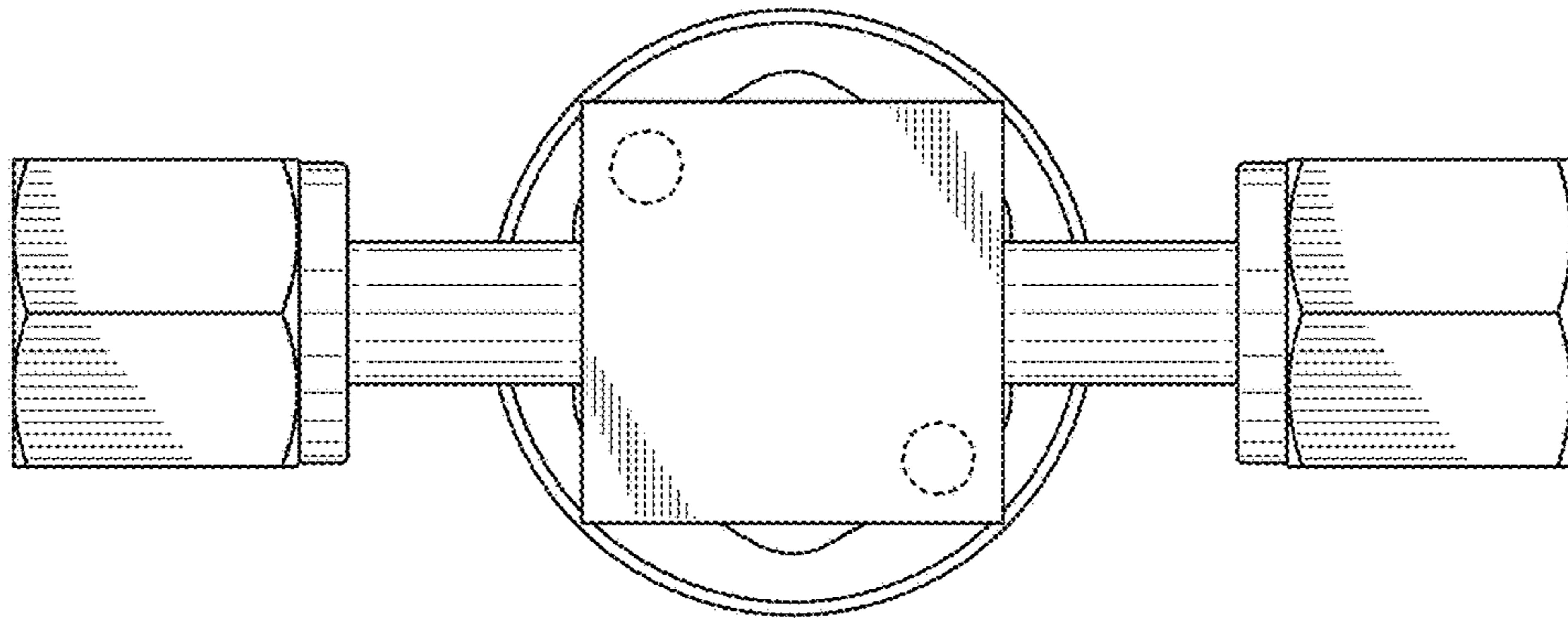


FIG. 7

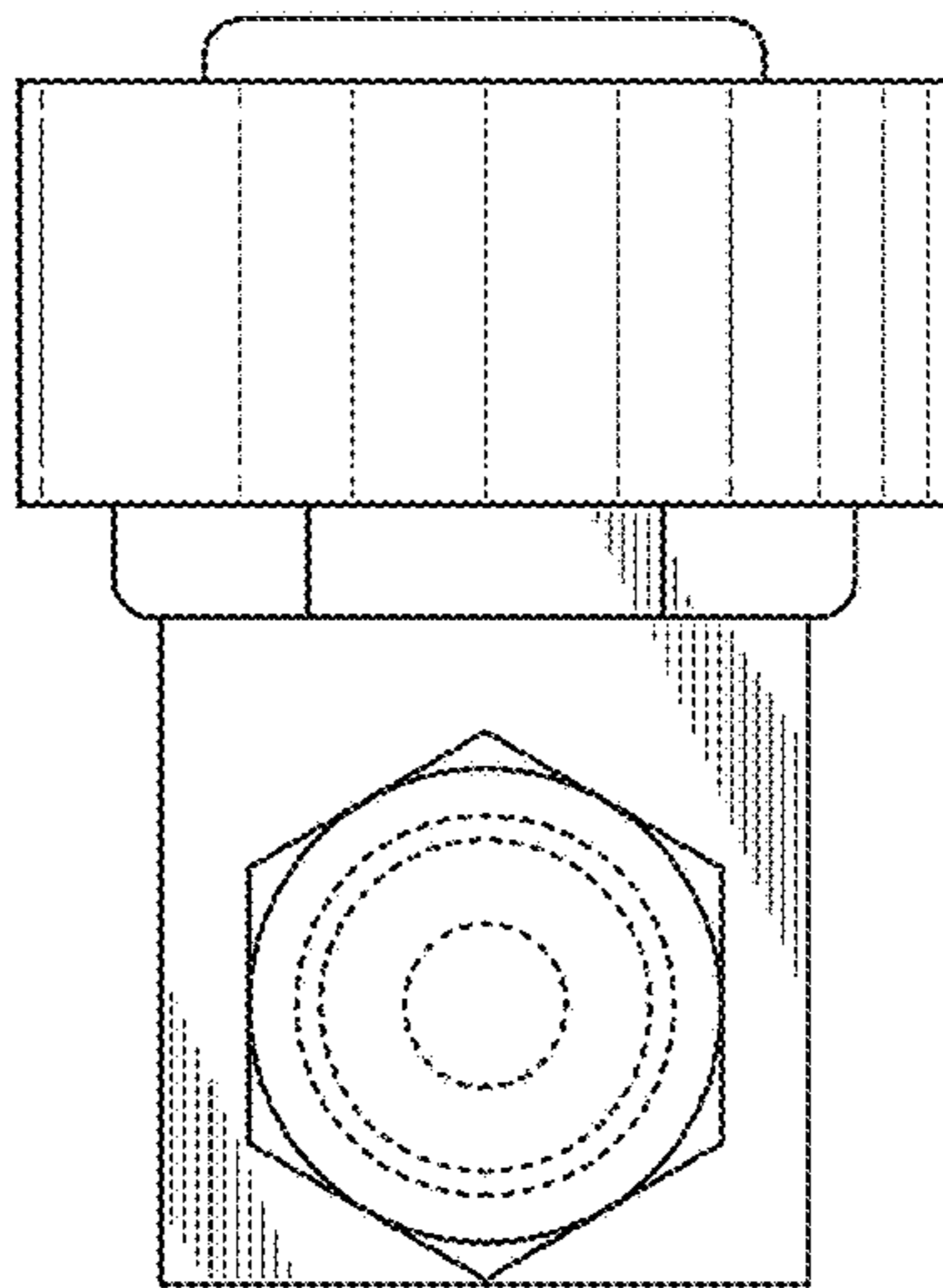


FIG. 8

