



US00D858712S

(12) **United States Design Patent** (10) **Patent No.:** **US D858,712 S**  
**Le et al.** (45) **Date of Patent:** **\*\* Sep. 3, 2019**

(54) **GAS VALVE** 2012/0222749 A1\* 9/2012 Hurst ..... F16K 31/385  
137/12

(71) Applicants: **Tong Le**, Carol Stream, IL (US); **James D. Kimble**, DeKalb, IL (US) \* cited by examiner

(72) Inventors: **Tong Le**, Carol Stream, IL (US); **James D. Kimble**, DeKalb, IL (US) *Primary Examiner* — Cynthia Ramirez  
*Assistant Examiner* — Gino Colan

(73) Assignee: **Robertshaw Controls Company**, Itasca, IL (US) (74) *Attorney, Agent, or Firm* — Reinhart Boerner Van Deuren P.C.

(\*\*) Term: **15 Years**

(57) **CLAIM**

We claim the ornamental design for the gas valve, as shown and described.

(21) Appl. No.: **29/599,967**

**DESCRIPTION**

(22) Filed: **Apr. 7, 2017**

(51) **LOC (12) Cl.** ..... **23-01**

(52) **U.S. Cl.**  
USPC ..... **D23/245**

(58) **Field of Classification Search**  
USPC ..... D23/233–237, 241–249; 251/129.15, 251/129.01; 137/487.5, 625.64, 12, 505, 137/613, 614, 15.18, 14  
CPC ..... F16K 31/0675; F16K 27/048; F16K 31/36  
See application file for complete search history.

FIG. 1 is a top, front, and right perspective view of a gas valve showing our new design;  
FIG. 2 is a top, front, and left perspective view thereof;  
FIG. 3 is front, bottom right perspective view thereof;  
FIG. 4 is back, bottom, left perspective view thereof;  
FIG. 5 is a front elevation view thereof;  
FIG. 6 is a back elevation view thereof;  
FIG. 7 is a right side elevation view thereof;  
FIG. 8 is a left side elevation view thereof;  
FIG. 9 is a top plan view thereof; and,  
FIG. 10 is a bottom plan view thereof.

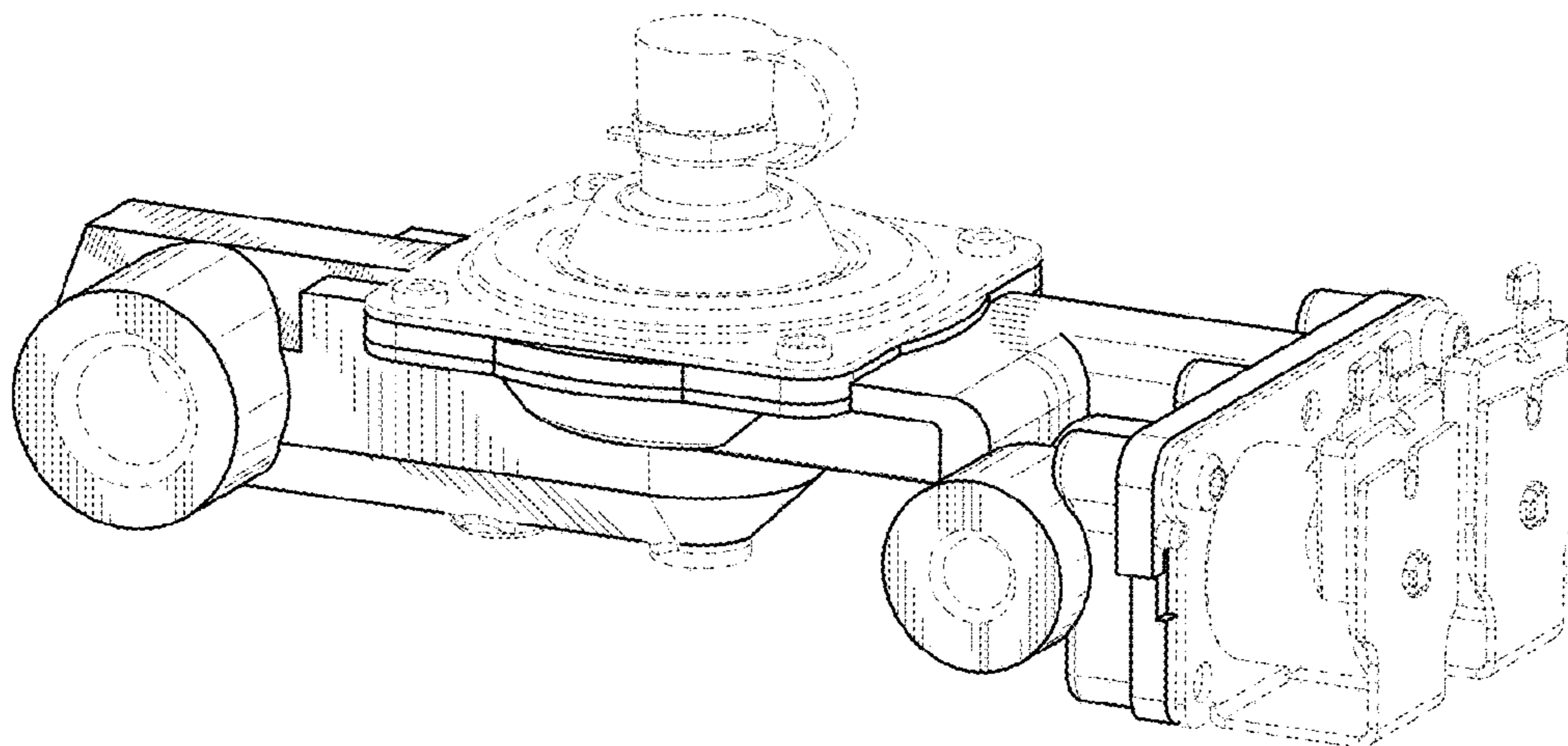
The broken lines shown in the figures are for the purpose of illustrating portions of the gas valve which form no part of the claimed design.

(56) **References Cited**

**U.S. PATENT DOCUMENTS**

D677,754 S \* 3/2013 Pierog ..... D23/233  
D745,640 S \* 12/2015 Russell ..... D23/245  
2003/0020037 A1\* 1/2003 Pierog ..... G05D 16/2022  
251/129.01

**1 Claim, 7 Drawing Sheets**



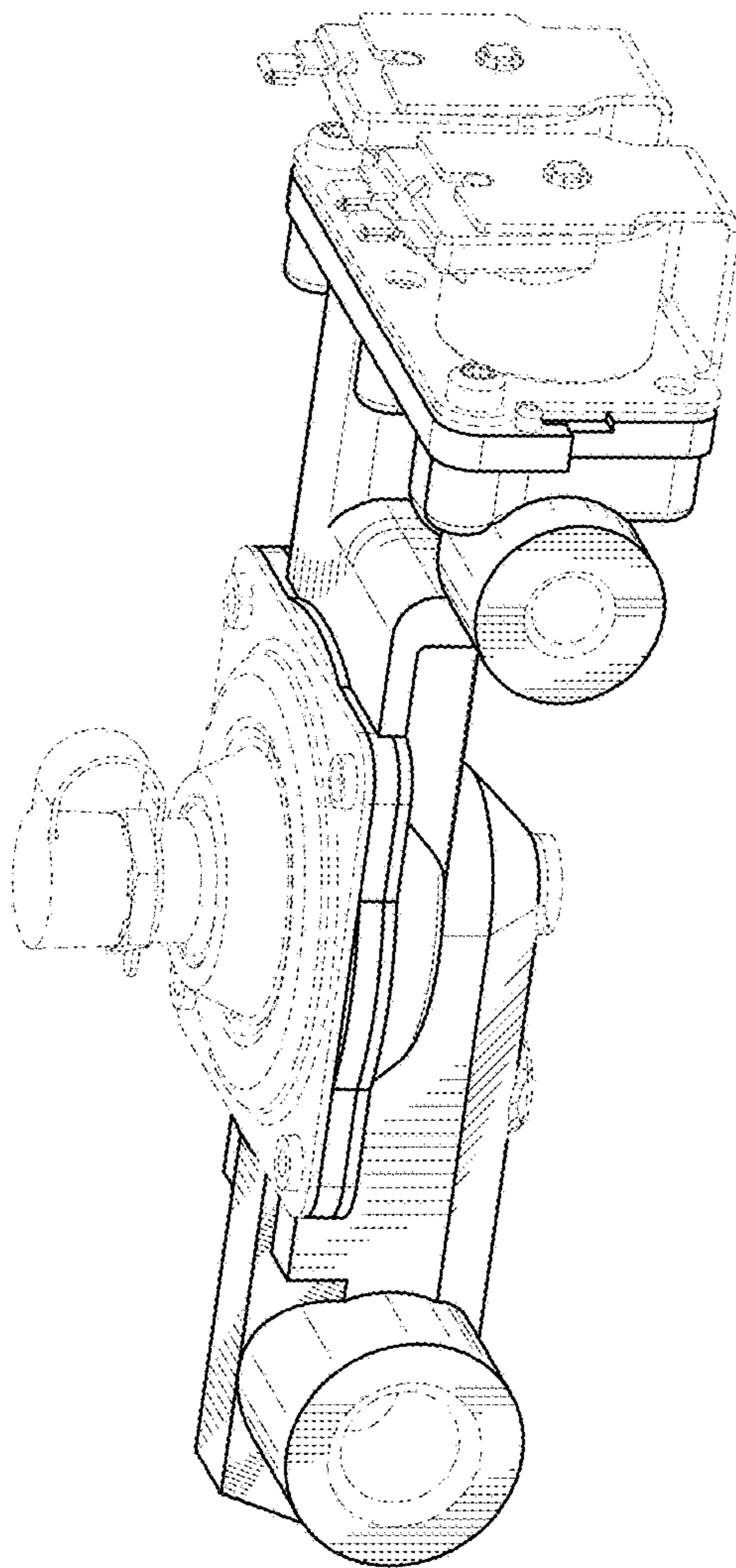
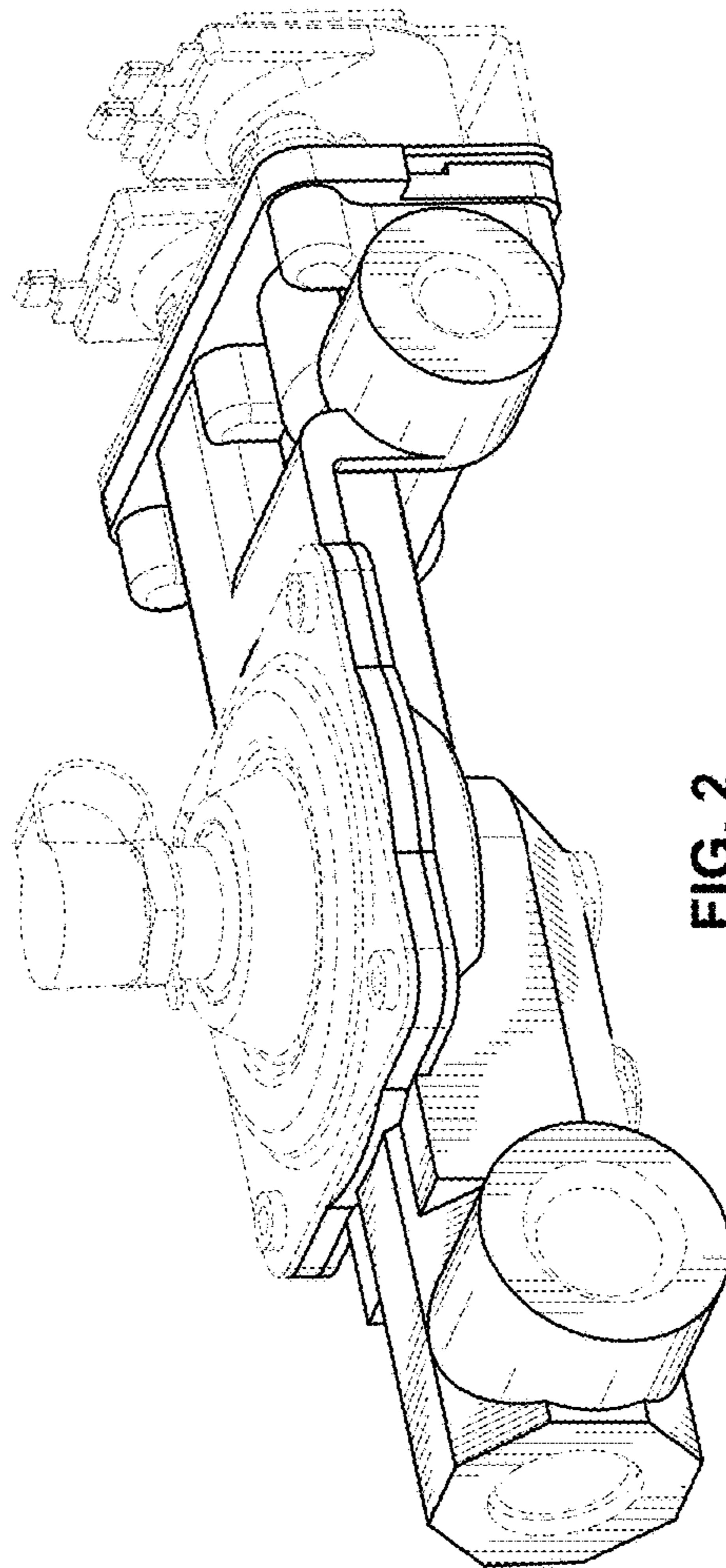


FIG. 1



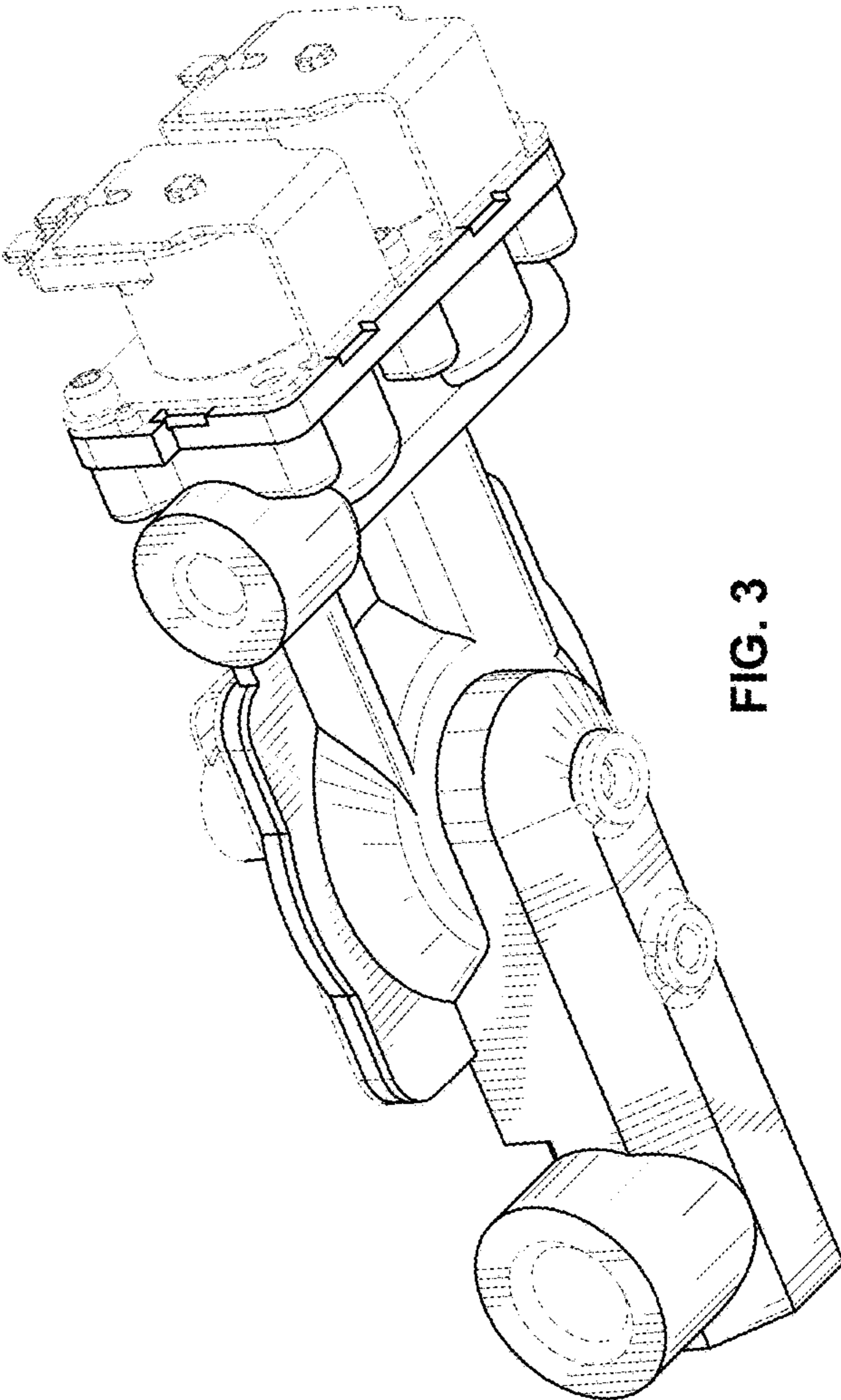


FIG. 3

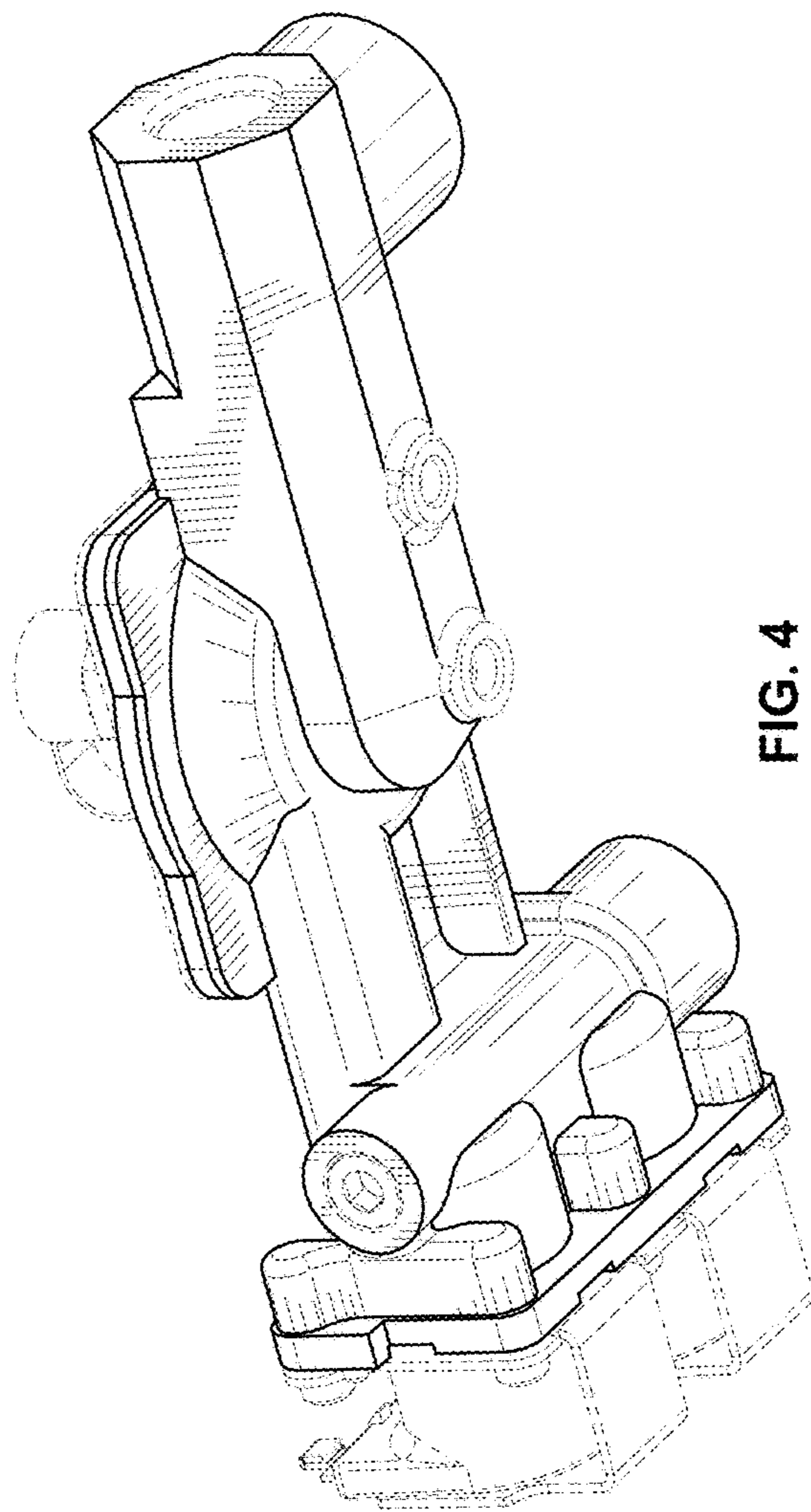


FIG. 4



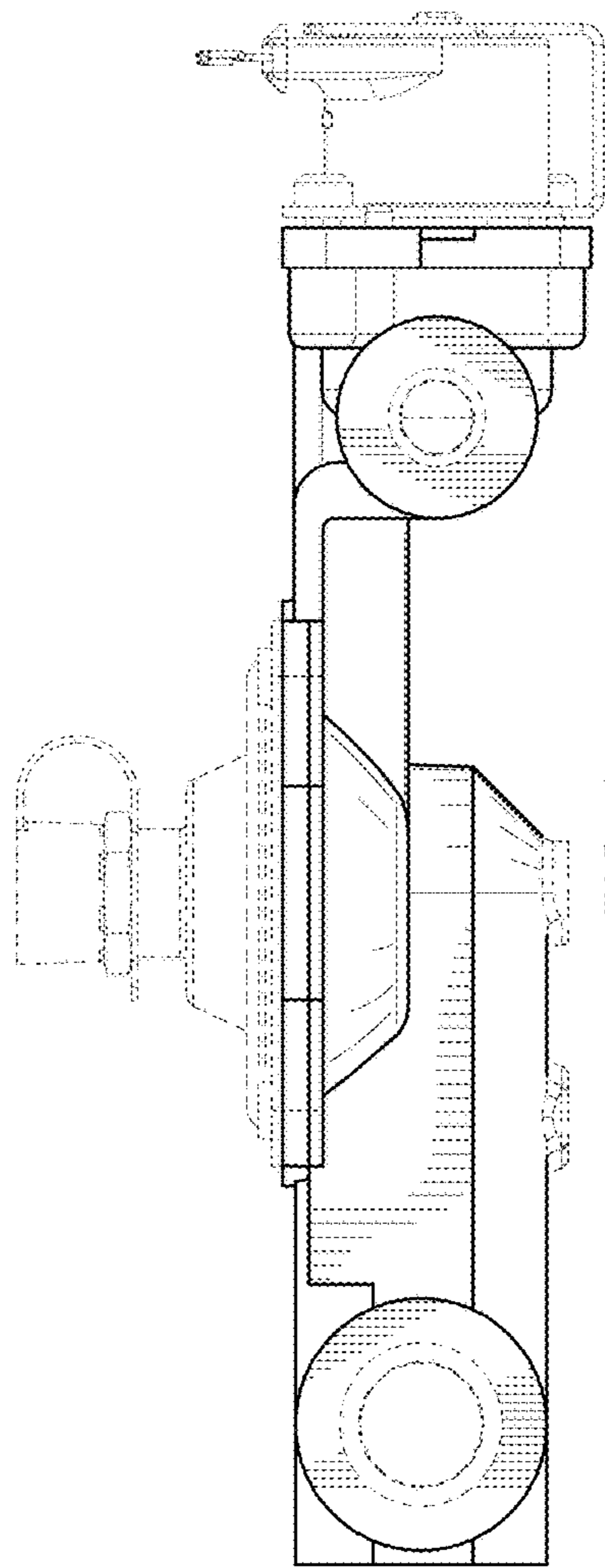


FIG. 5

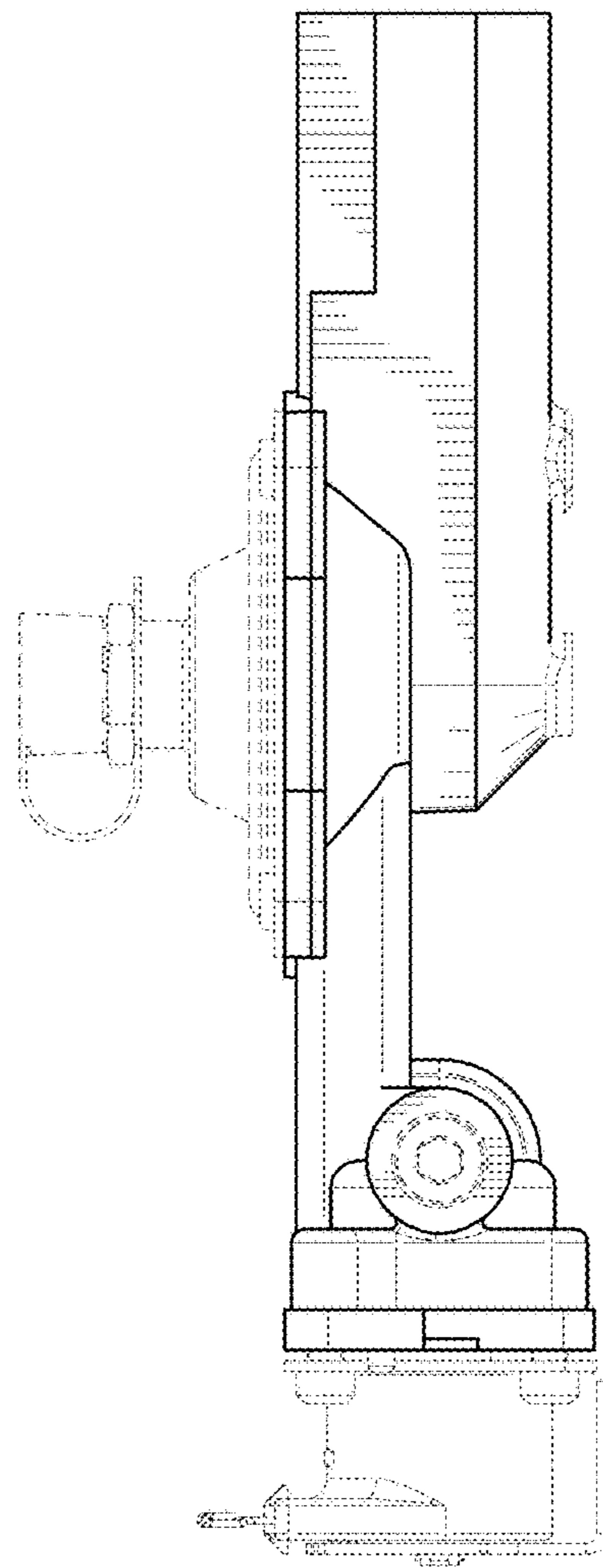


FIG. 6

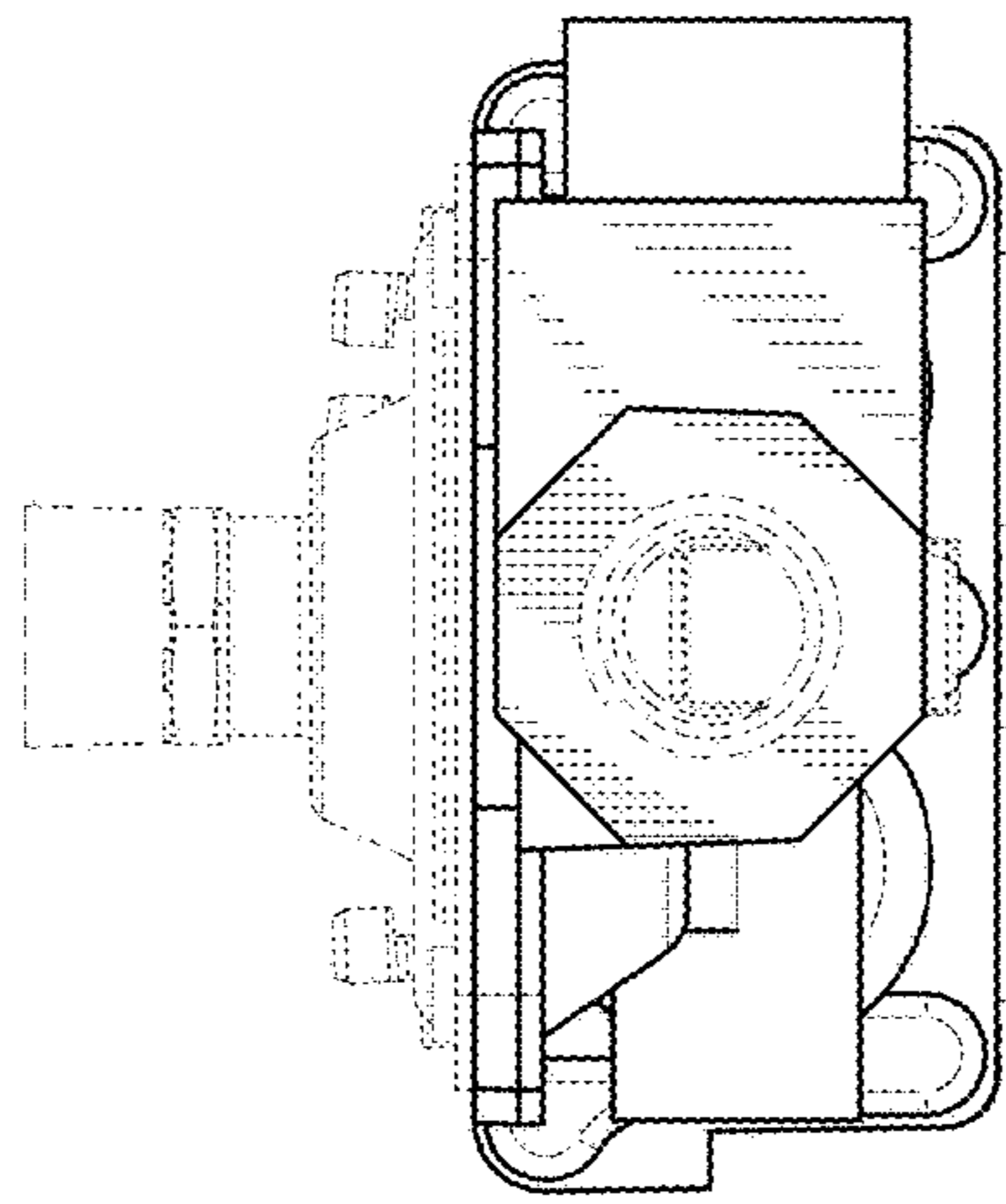


FIG. 8

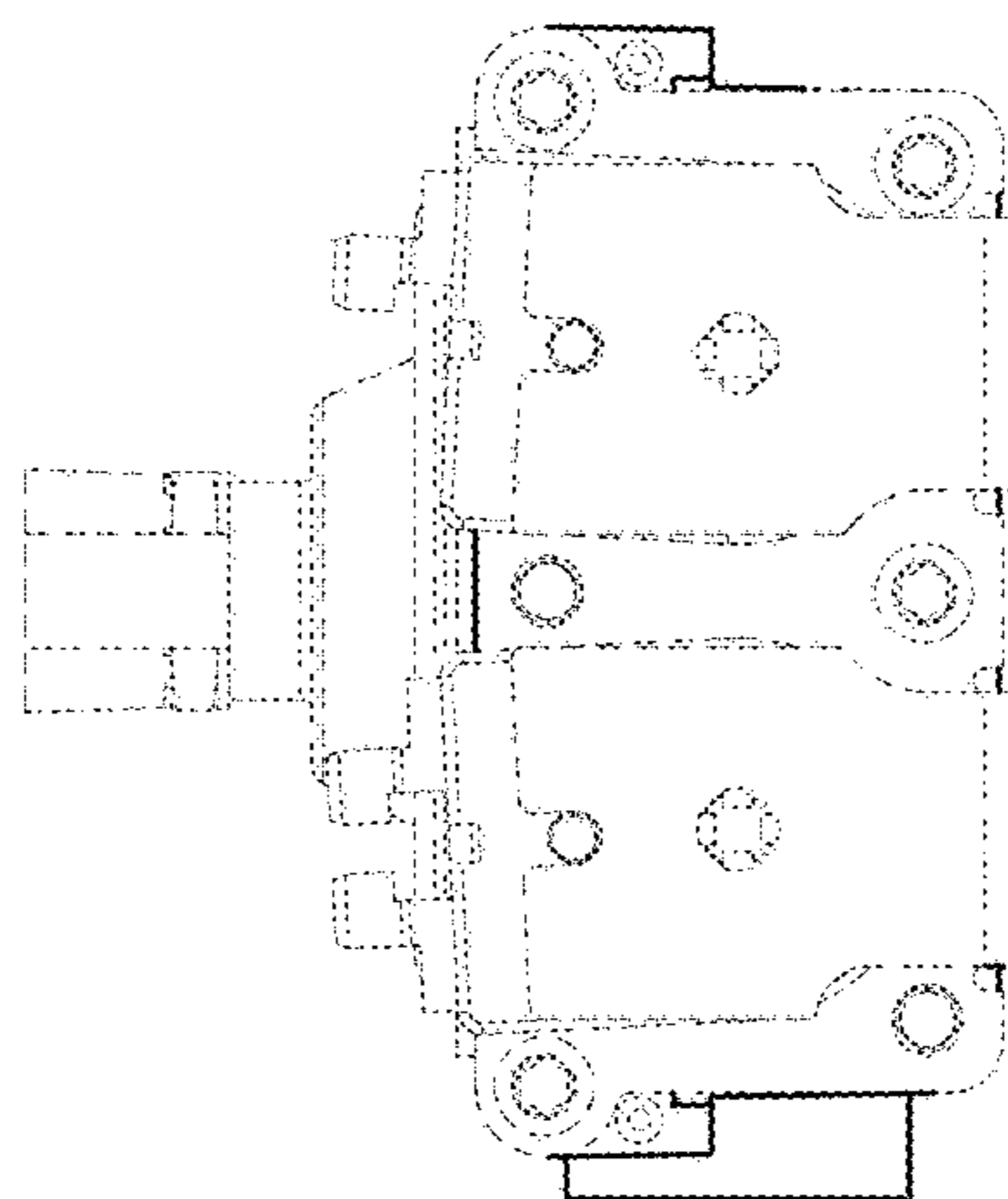


FIG. 7

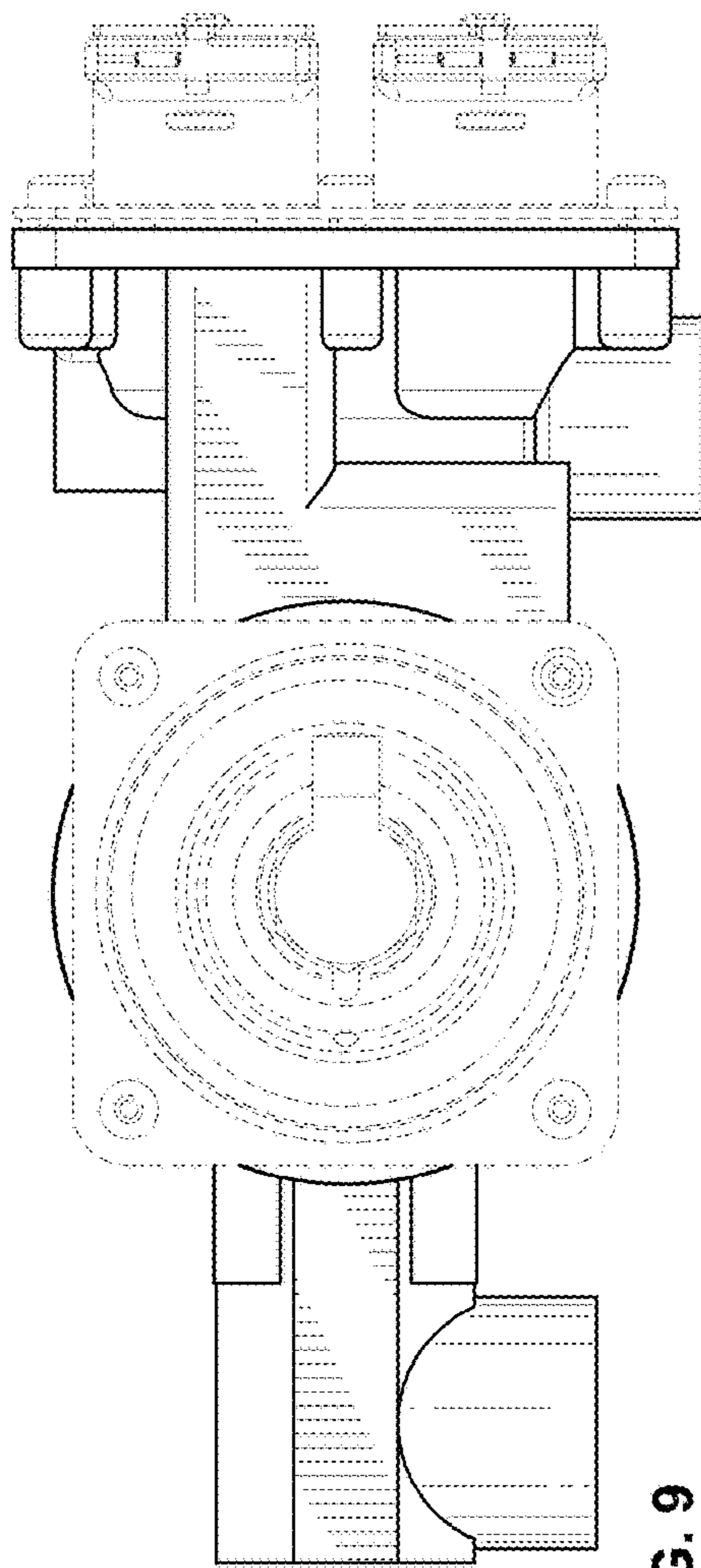


FIG. 9

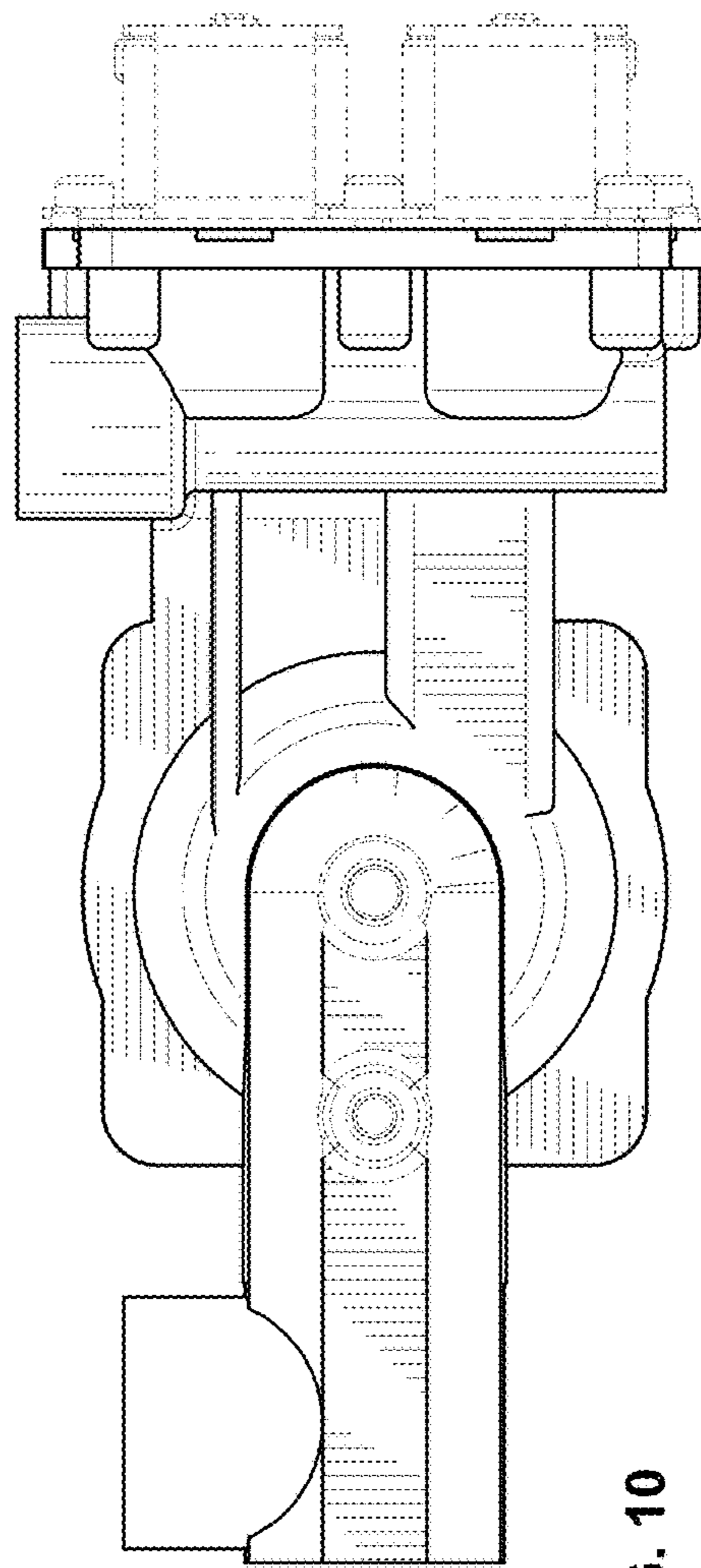


FIG. 10