



US00D858709S

(12) **United States Design Patent**
Xuan

(10) **Patent No.:** **US D858,709 S**

(45) **Date of Patent:** **** Sep. 3, 2019**

(54) **FAUCETS**

(71) Applicant: **Hangzhou Frap E-commerce Co., Ltd.**, Hangzhou (CN)

(72) Inventor: **Pin-An Xuan**, Hangzhou (CN)

(73) Assignee: **Hangzhou Frap E-commerce Co., Ltd.**, Hangzhou (CN)

(**) Term: **15 Years**

(21) Appl. No.: **29/655,988**

(22) Filed: **Jul. 10, 2018**

(51) **LOC (12) Cl.** **23-01**

(52) **U.S. Cl.**
USPC **D23/238**

(58) **Field of Classification Search**
USPC D23/238-243, 249, 255, 257, 250, 252,
D23/254, 213, 223, 226; D8/307-308
CPC E03C 1/0412
See application file for complete search history.

(56) **References Cited**

U.S. PATENT DOCUMENTS

D519,190 S * 4/2006 Lord D23/238
D665,053 S * 8/2012 Wang D23/238

D665,479 S * 8/2012 Cocks D23/238
D681,783 S * 5/2013 Chong D23/249
D706,399 S * 6/2014 Yang D23/252
D803,988 S * 11/2017 Niu D23/241
D837,939 S * 1/2019 Clarke D23/238
D840,511 S * 2/2019 Garland D23/242

* cited by examiner

Primary Examiner — Robert A Delehanty

(74) *Attorney, Agent, or Firm* — ScienBiziP, P.C.

(57) **CLAIM**

The ornamental design for faucets, as shown and described.

DESCRIPTION

FIG. 1 is a first perspective view of faucets showing the claimed new design;

FIG. 2 is a second perspective view thereof;

FIG. 3 is a front elevation view thereof;

FIG. 4 is a rear elevation view thereof.

FIG. 5 is a left side elevation view thereof;

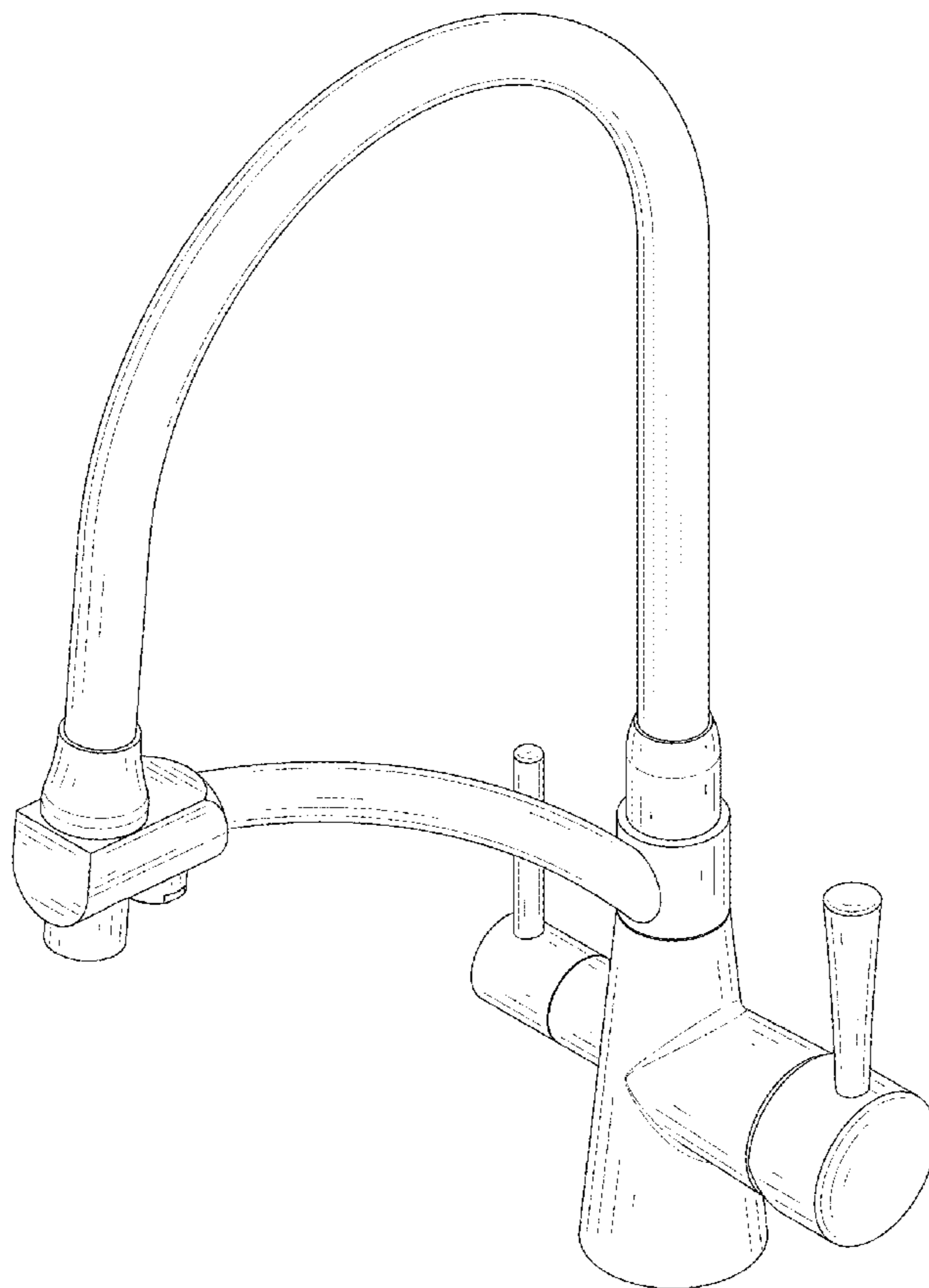
FIG. 6 is a right side elevation view thereof;

FIG. 7 is a top plan view thereof; and,

FIG. 8 is a bottom plan view thereof.

The broken lines adjacent to the claimed portions are boundaries, all other broken lines are environmental structures, and all the broken lines form no part of the claimed design.

1 Claim, 8 Drawing Sheets



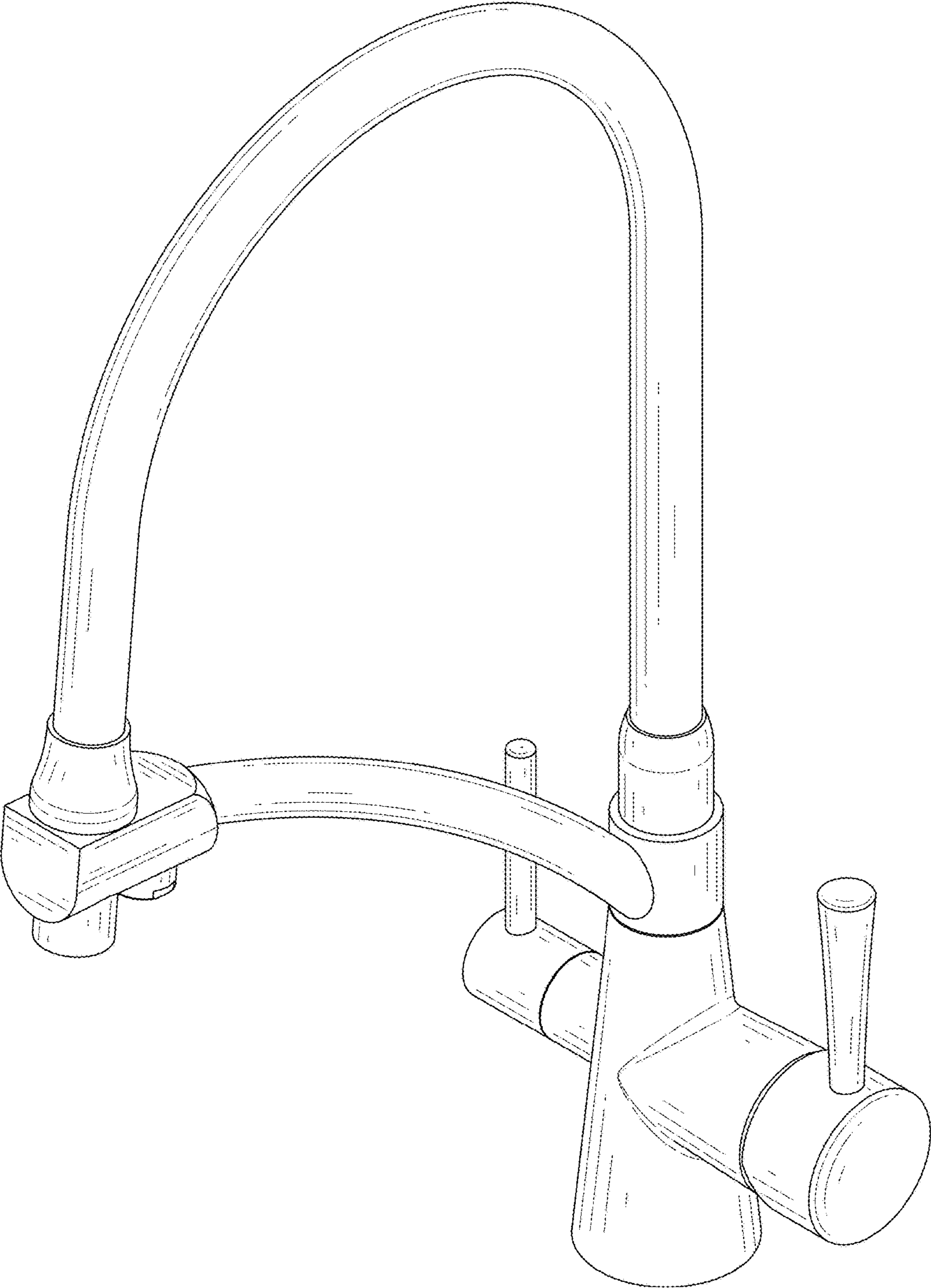


FIG. 1

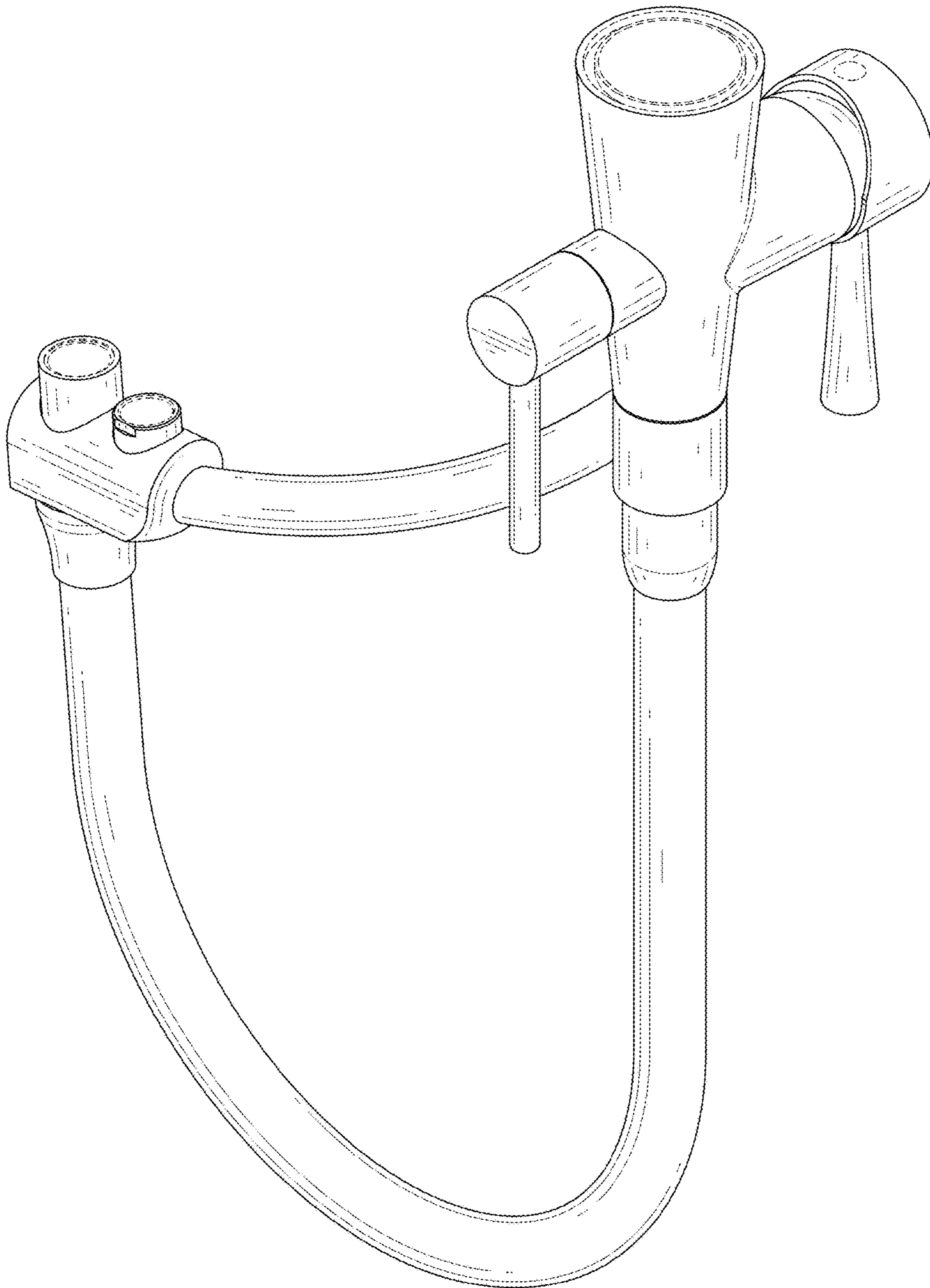


FIG. 2

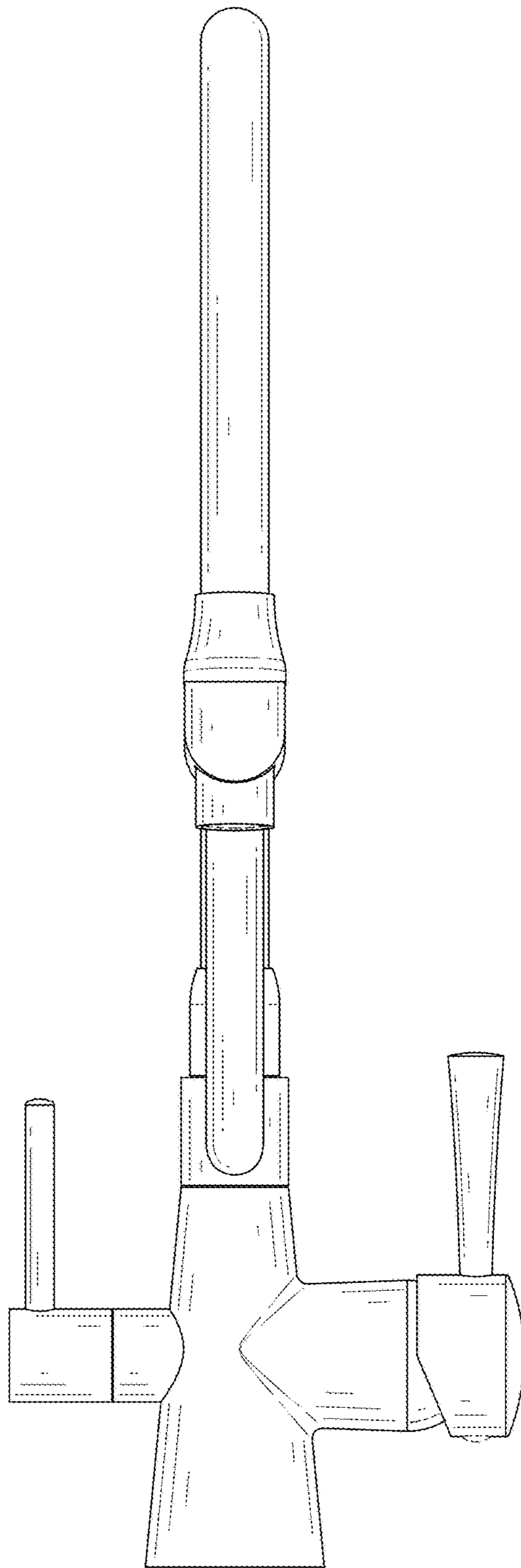


FIG. 3

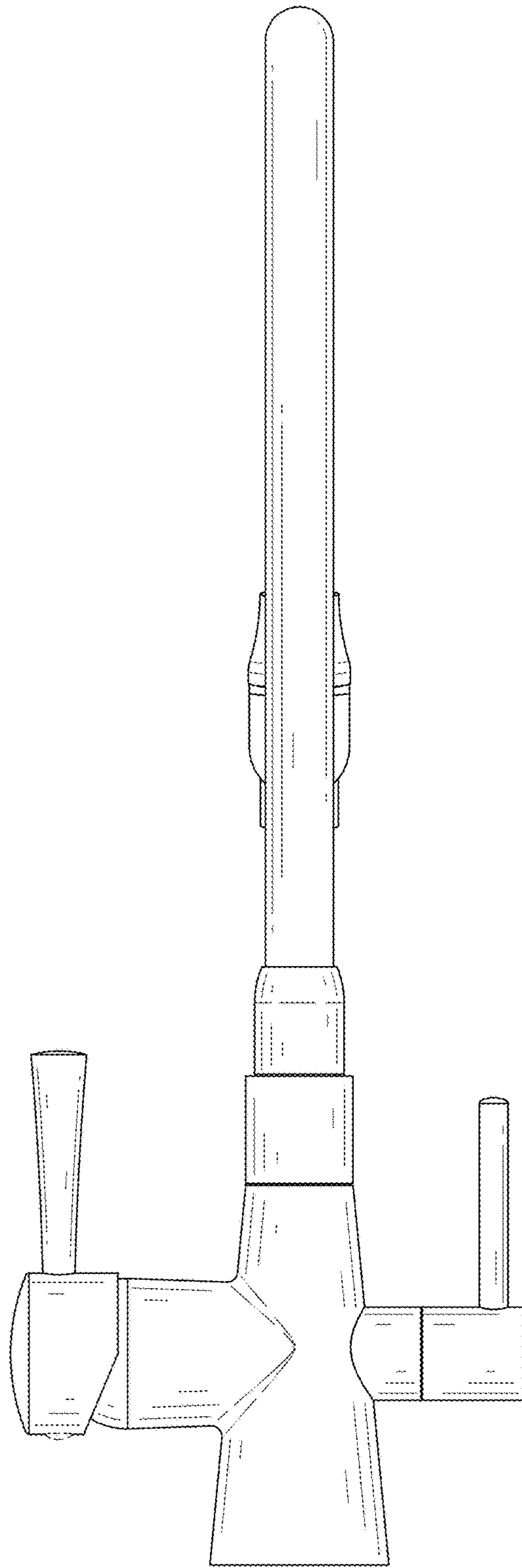


FIG. 4

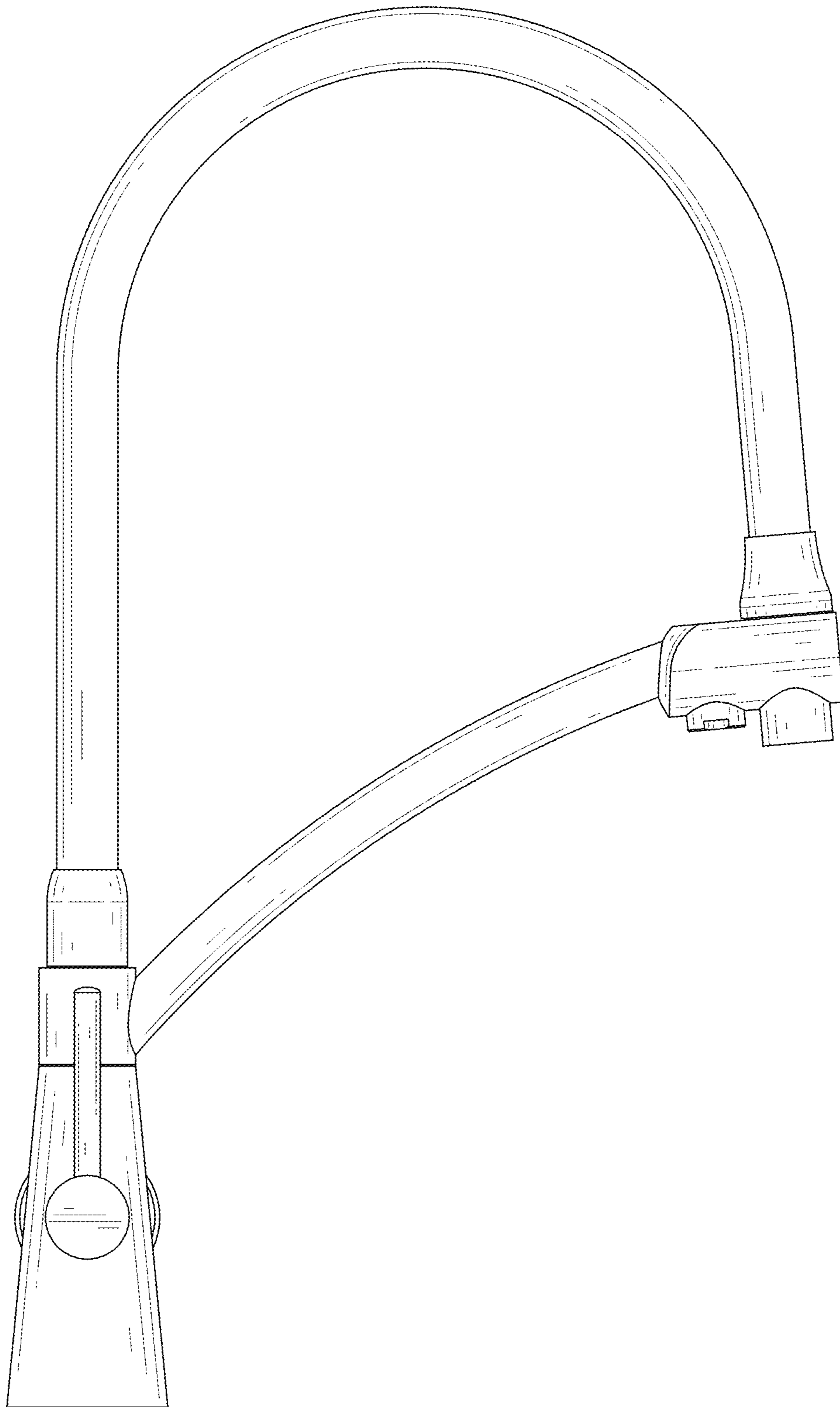


FIG. 5

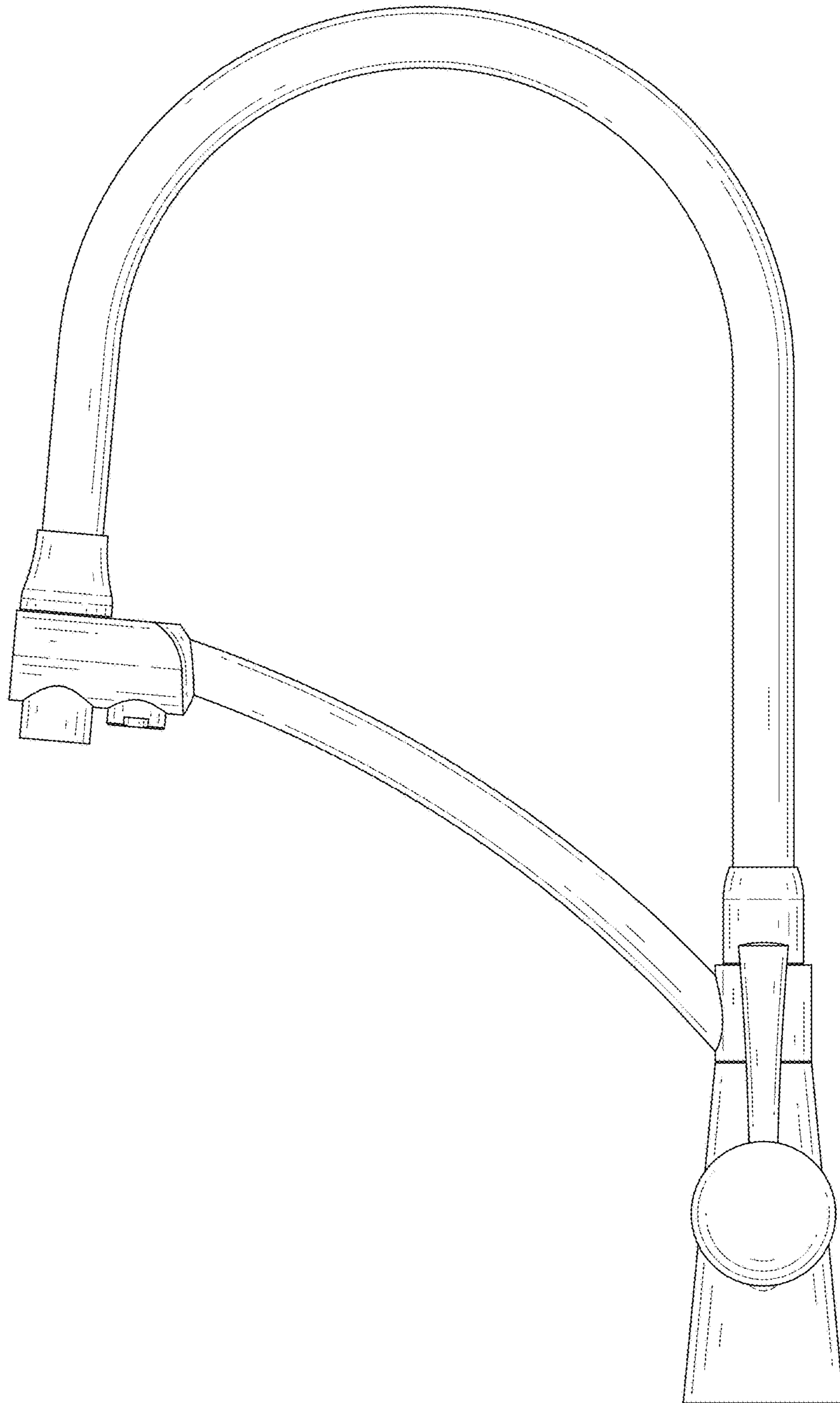


FIG. 6

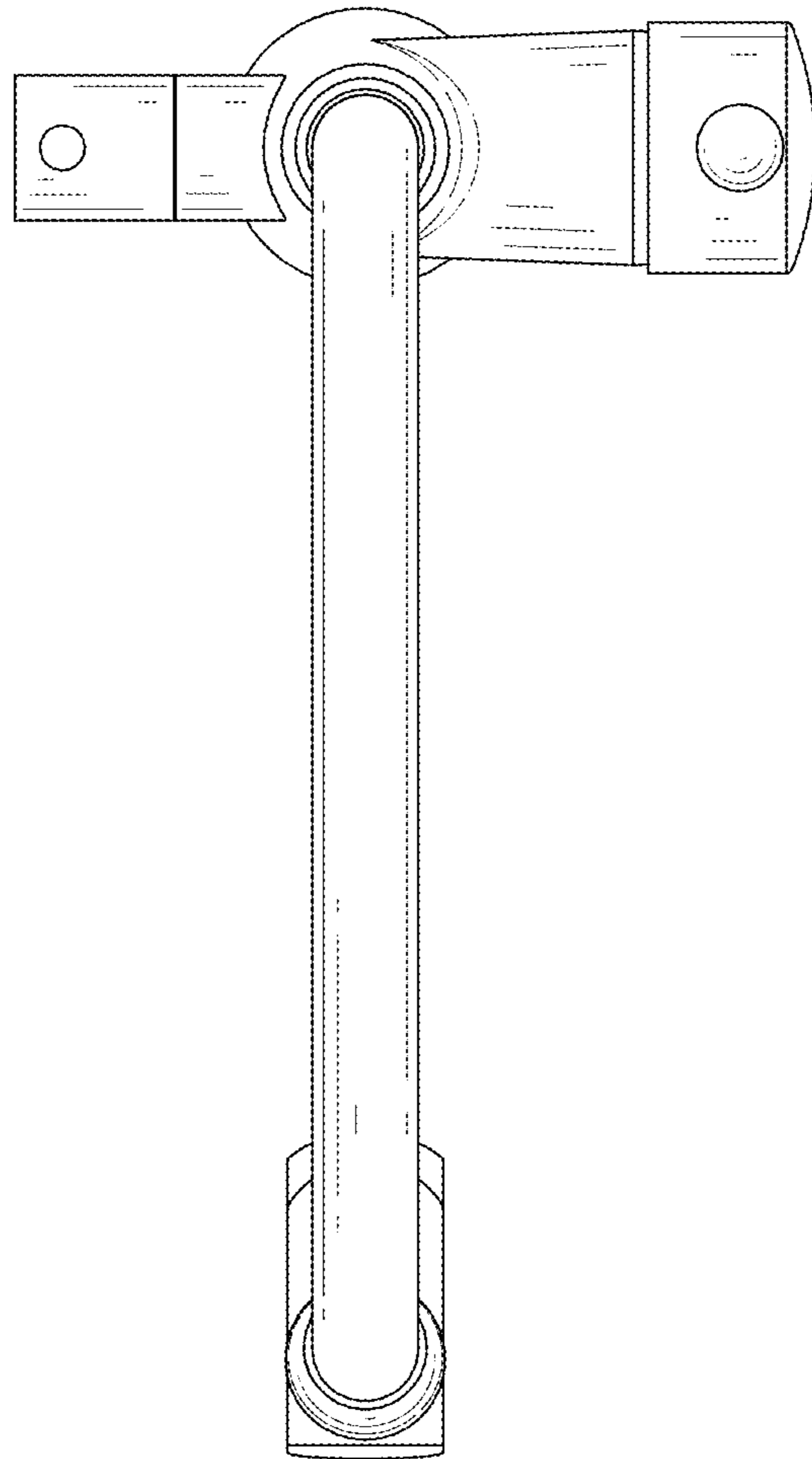


FIG. 7

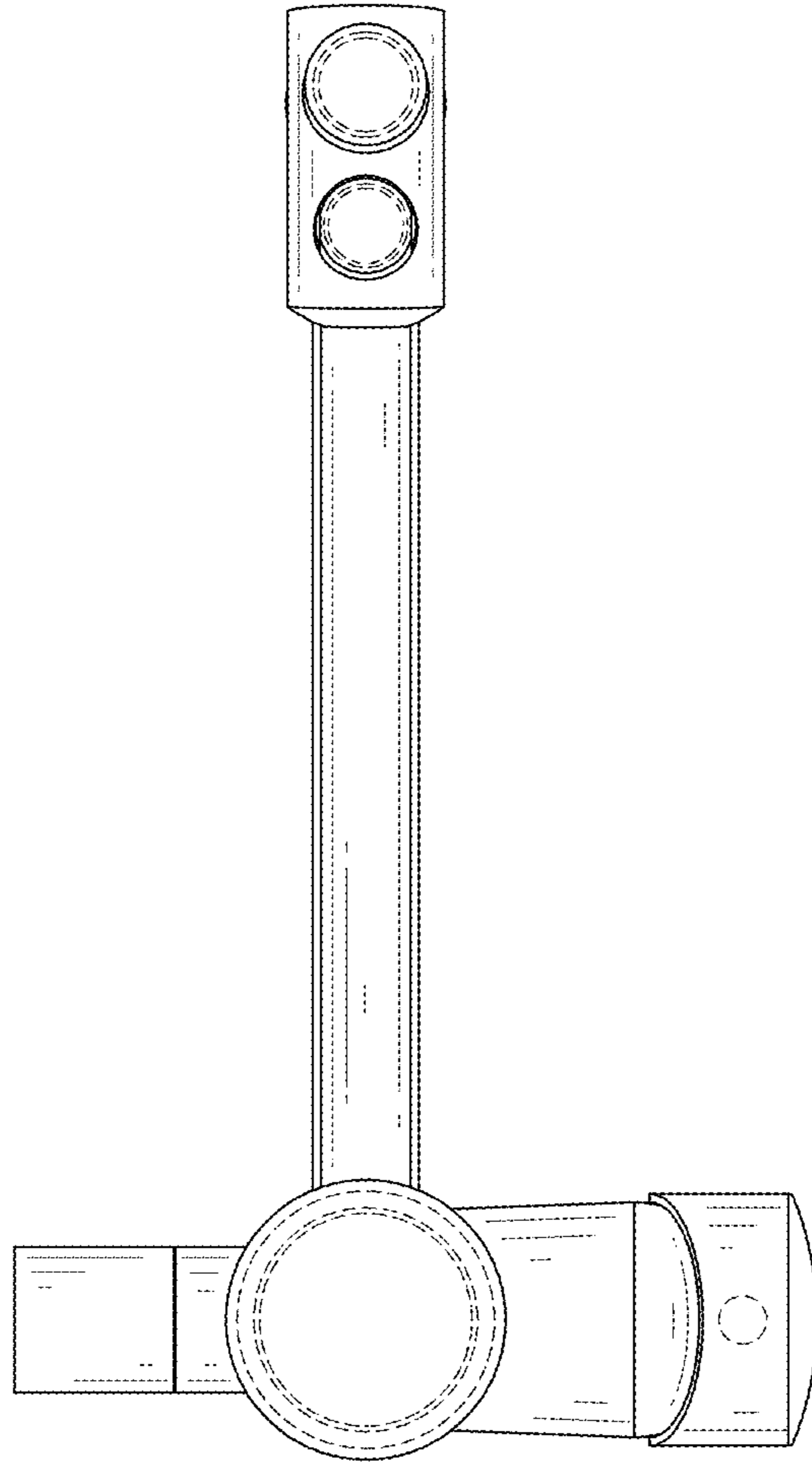


FIG. 8