



US00D858706S

(12) **United States Design Patent** (10) **Patent No.:** **US D858,706 S**
Soulier et al. (45) **Date of Patent:** **** Sep. 3, 2019**

(54) **TUB FILLER**

(71) Applicant: **Kohler Co.**, Kohler, WI (US)

(72) Inventors: **Jean-Hugues Soulier**, Paris (FR);
Ferran Serra Sola, Paris (FR); **Chia Lee**, Chicago, IL (US); **Jimin Niu**, Beijing (CN); **Sophie Su**, Shanghai (CN); **Hui Ren**, Beijing (CN)

(73) Assignee: **KOHLER CO.**, Kohler, WI (US)

(**) Term: **15 Years**

(21) Appl. No.: **29/644,541**

(22) Filed: **Apr. 18, 2018**

(51) **LOC (12) Cl.** **23-01**

(52) **U.S. Cl.**
USPC **D23/238**; D23/249

(58) **Field of Classification Search**
USPC D23/238, 239–243, 249, 255, 257;
D6/512, 532, 536, 540, 553, 567, 574;
D24/184, 234
See application file for complete search history.

(56) **References Cited**

U.S. PATENT DOCUMENTS

D359,643 S *	6/1995	Langmade	D6/556
D386,343 S *	11/1997	Moore	D6/532
D443,165 S *	6/2001	Petri	D6/574
D461,529 S *	8/2002	Gottwald	D23/238
D514,199 S *	1/2006	Starck	D23/238

D529,580 S *	10/2006	Shieh	D23/238
D612,457 S *	3/2010	Allard	D23/255
D635,647 S *	4/2011	Montgomery	D23/239
D636,062 S	4/2011	Rubin et al.		
D681,168 S *	4/2013	Romero	D23/238
D692,989 S *	11/2013	Flowers	D23/238
D697,589 S	1/2014	Georgeson		
D698,420 S	1/2014	Hahn et al.		
D755,350 S	5/2016	Rexach		
9,334,633 B2 *	5/2016	Harris	E03C 1/0403
D759,206 S *	6/2016	Moerman	D23/239
2014/0259383 A1 *	9/2014	Harris	E03C 1/0403 4/678

* cited by examiner

Primary Examiner — Eric L Goodman

Assistant Examiner — Amy C Wierenga

(74) *Attorney, Agent, or Firm* — Foley & Lardner LLP

(57) **CLAIM**

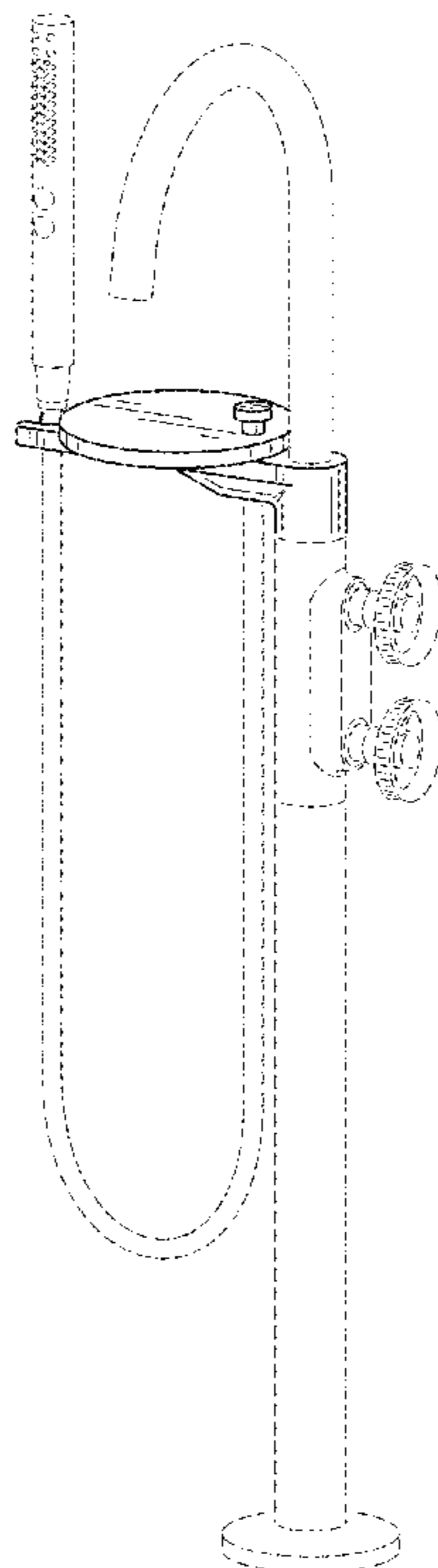
We claim the ornamental design for a tub filler, as shown and described.

DESCRIPTION

FIG. 1 is a top, front, right perspective view of a tub filler; FIG. 2 is a front elevation view thereof; FIG. 3 is a rear elevation view thereof; FIG. 4 is a right side elevation view thereof; FIG. 5 is a left side elevation view thereof; FIG. 6 is a top plan view thereof; and, FIG. 7 is a bottom plan view thereof.

The broken lines shown in the drawings illustrate portions of the tub filler that form no part of the claim.

1 Claim, 4 Drawing Sheets



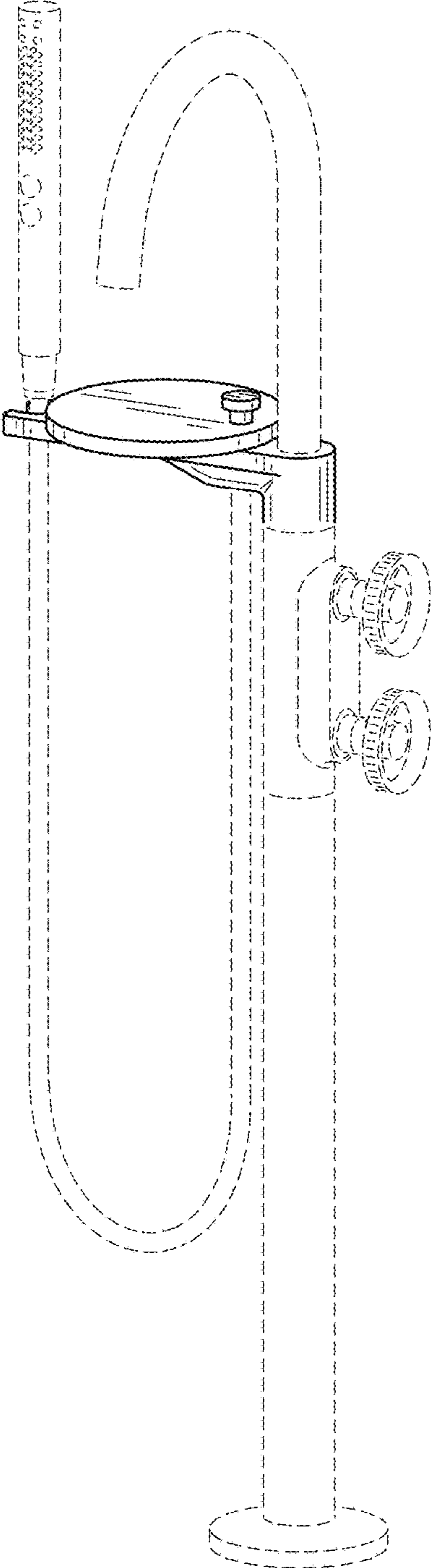


FIG. 1

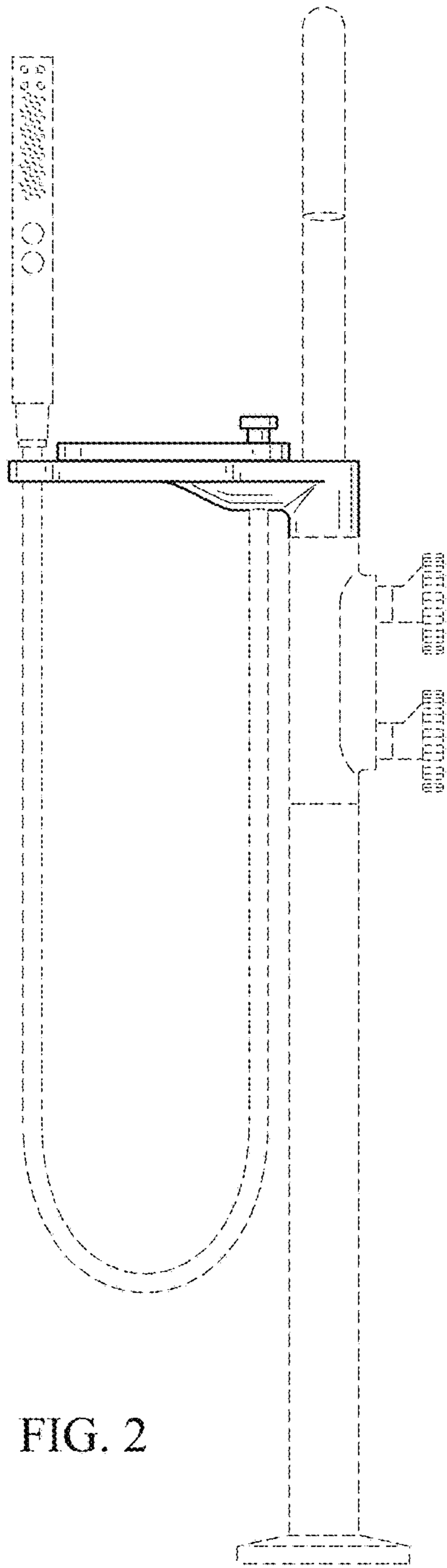


FIG. 2

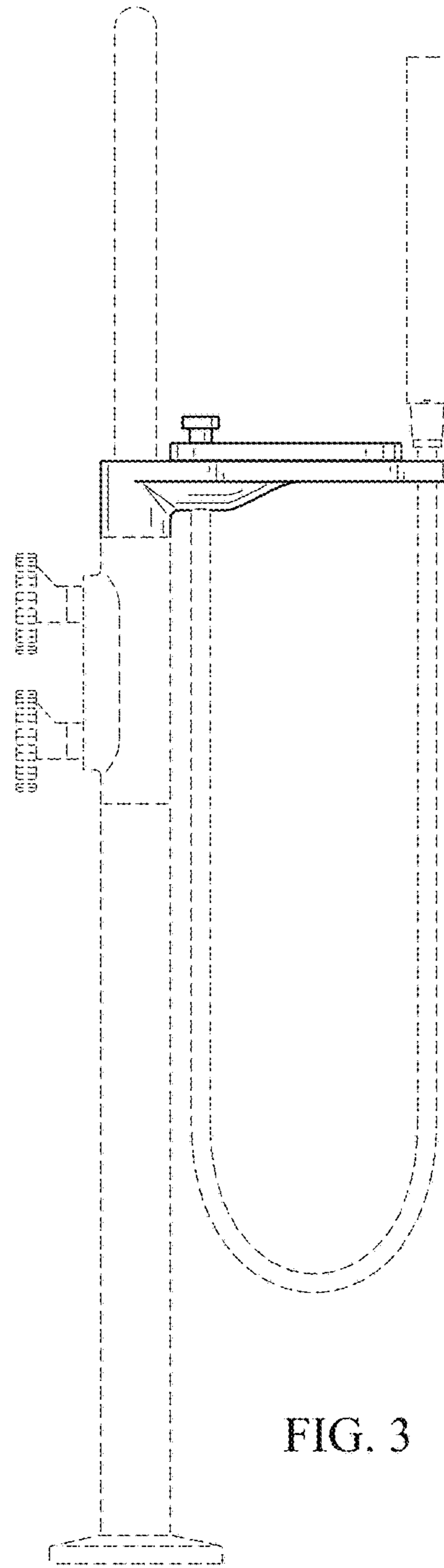


FIG. 3

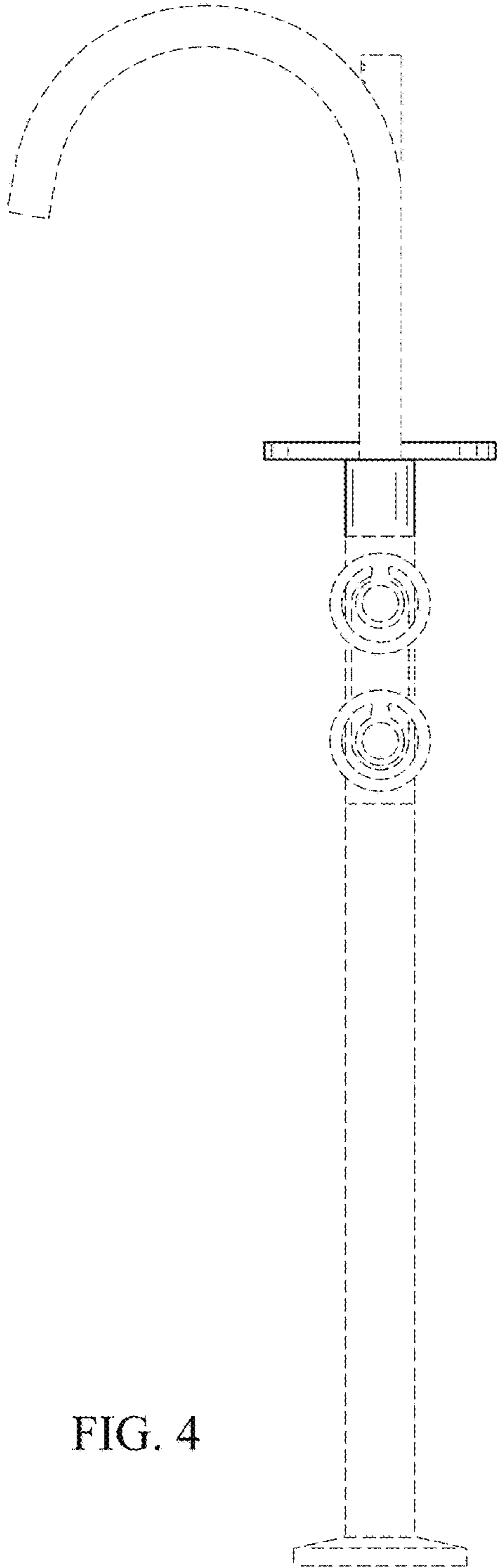


FIG. 4

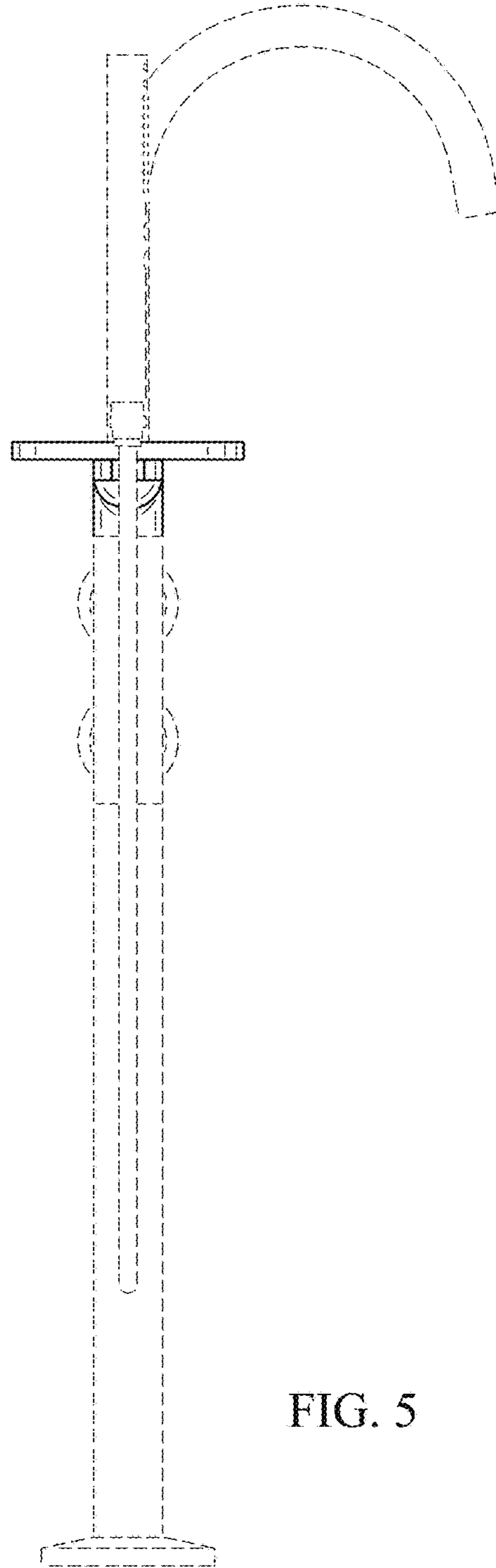


FIG. 5

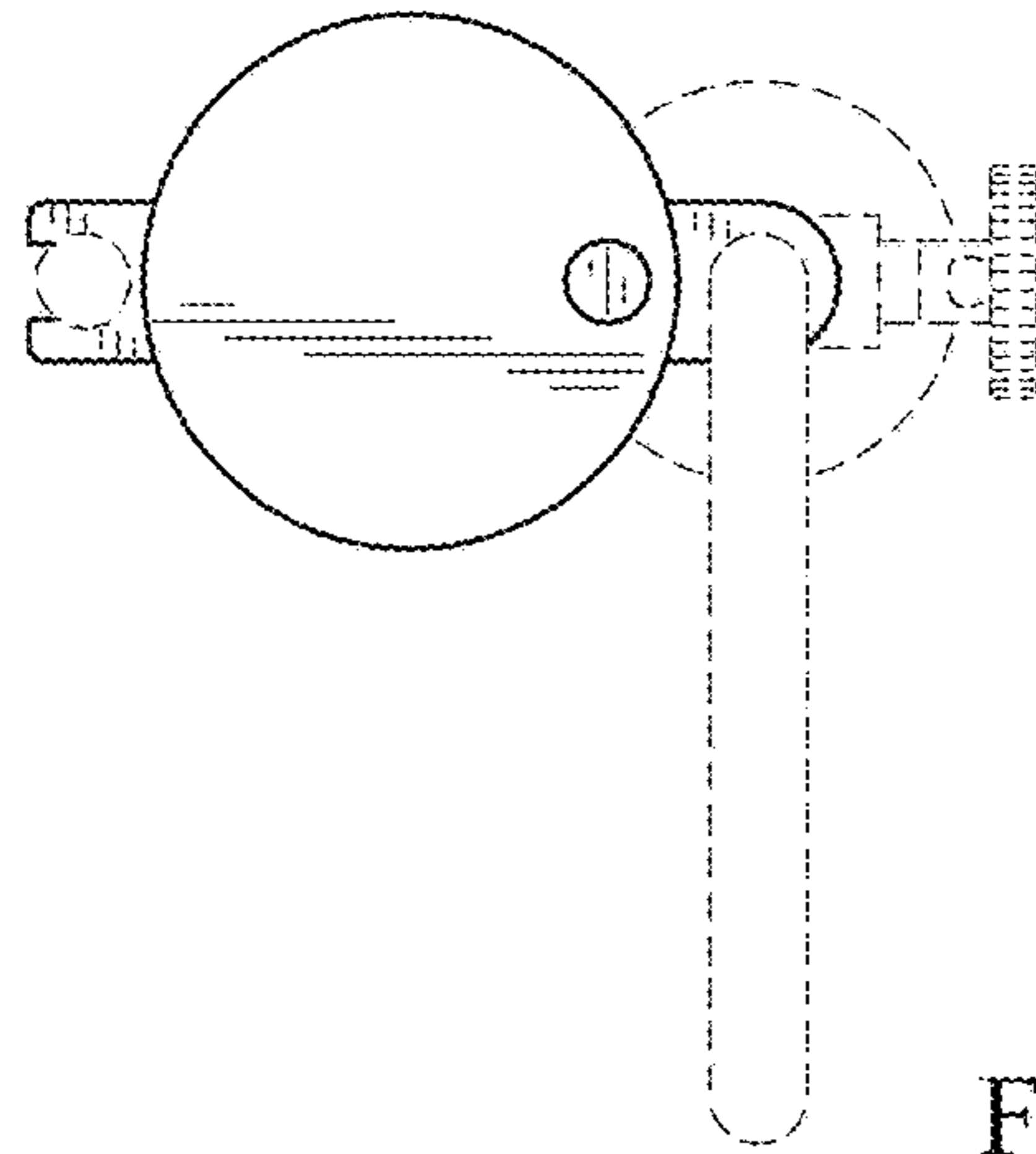


FIG. 6

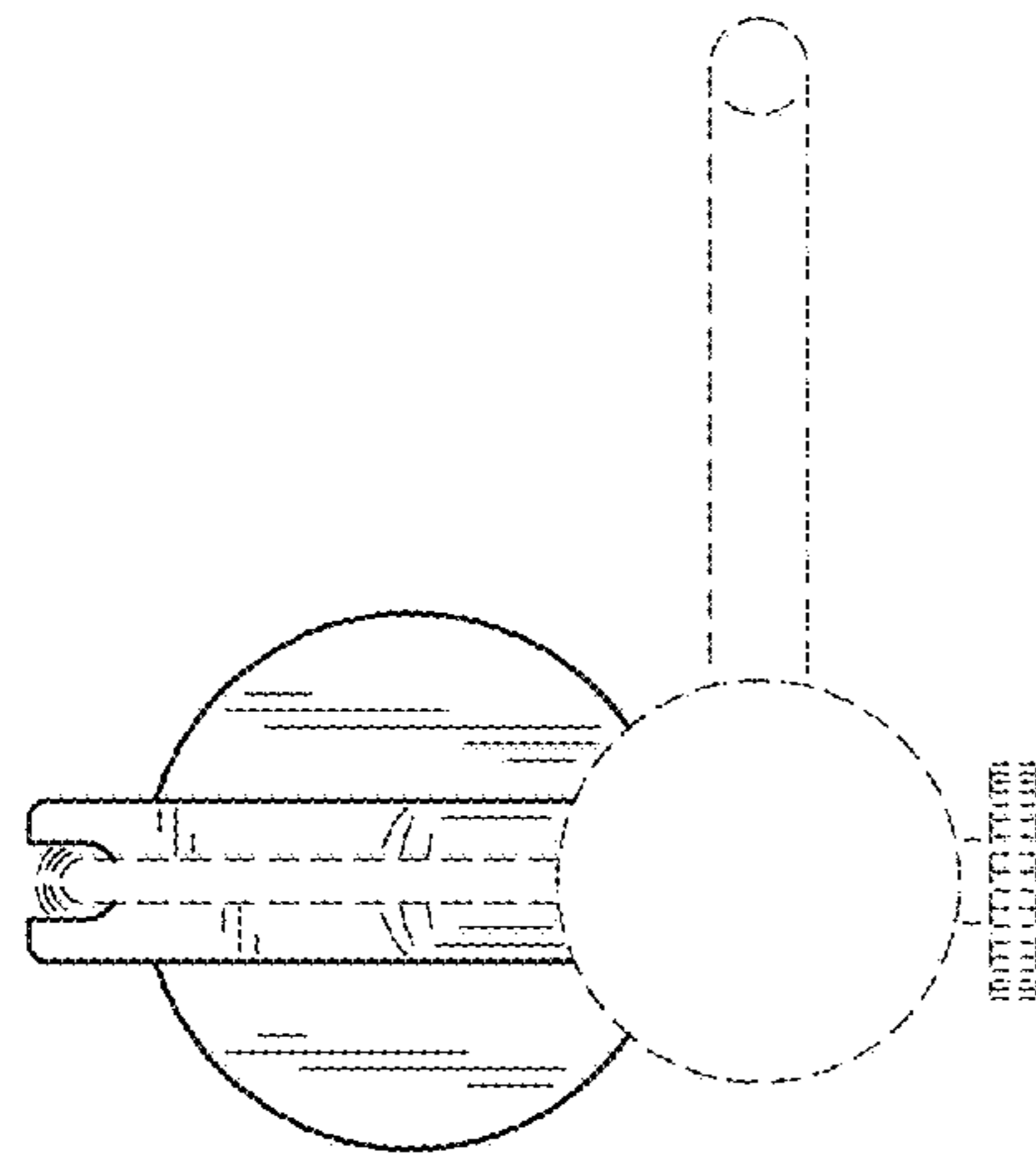


FIG. 7