



US00D858705S

(12) **United States Design Patent** (10) **Patent No.:** **US D858,705 S**
Jørgensen et al. (45) **Date of Patent:** **** Sep. 3, 2019**

(54) **VALVE**

(56) **References Cited**

(71) Applicant: **MICRO MATIC A/S**, Odense SV (DK)

U.S. PATENT DOCUMENTS

(72) Inventors: **Michael Jørgensen**, Odense (DK); **Benny Dahl**, Odense (DK); **Morten Helvig Larsen**, Odense (DK)

D378,283 S *	3/1997	Diehl	D10/85
D607,355 S *	1/2010	Horner	D10/85
D633,986 S *	3/2011	Ito	D23/233
D635,644 S *	4/2011	Yamada	D23/233
D713,007 S *	9/2014	Boyer	D23/235
D760,871 S *	7/2016	Boyer	D23/233
D811,252 S *	2/2018	Boyer	D10/85
D811,253 S *	2/2018	Boyer	D10/85
D820,955 S *	6/2018	Ito	D23/235
D820,956 S *	6/2018	Ito	D23/235

(73) Assignee: **MICRO MATIC A/S**, Odense SV (DK)

(**) Term: **15 Years**

* cited by examiner

(21) Appl. No.: **29/639,151**

Primary Examiner — Cynthia Ramirez

Assistant Examiner — Gino Colan

(22) Filed: **Mar. 5, 2018**

(74) *Attorney, Agent, or Firm* — Nixon & Vanderhye P.C.

(30) **Foreign Application Priority Data**

(57) **CLAIM**

The ornamental design for a valve, as shown.

Sep. 8, 2017 (EM) 004247146

DESCRIPTION

(51) **LOC (12) Cl.** **23-01**

FIG. 1 is a perspective view of a valve according to our new ornamental design;

(52) **U.S. Cl.**

FIG. 2 is a right side view thereof;

USPC **D23/235**

FIG. 3 is a left side view thereof;

(58) **Field of Classification Search**

USPC D23/233–235, 237, 241–249; D10/85; 137/15.19, 488, 505.11, 315.04; 251/285

FIG. 4 is a front view thereof;

CPC F17C 2205/0338; F17C 2205/0332; F17C 2223/035; F17C 2250/043; F17C 2250/0626; F17C 2205/0323; F17C 2221/013; F17C 2221/014; F17C 2227/0309; F16K 17/02; F16K 47/08

FIG. 5 is a rear view thereof;

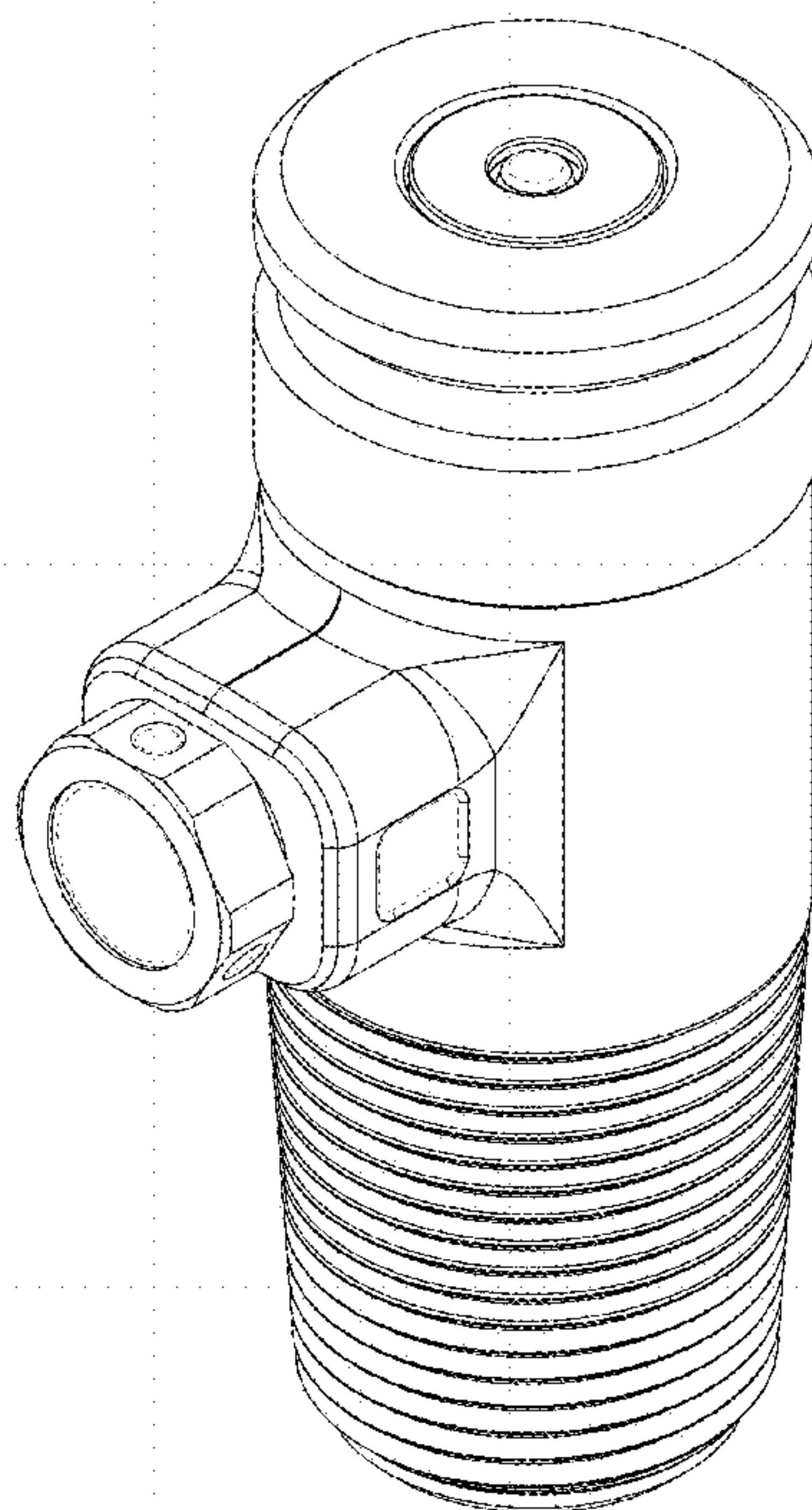
See application file for complete search history.

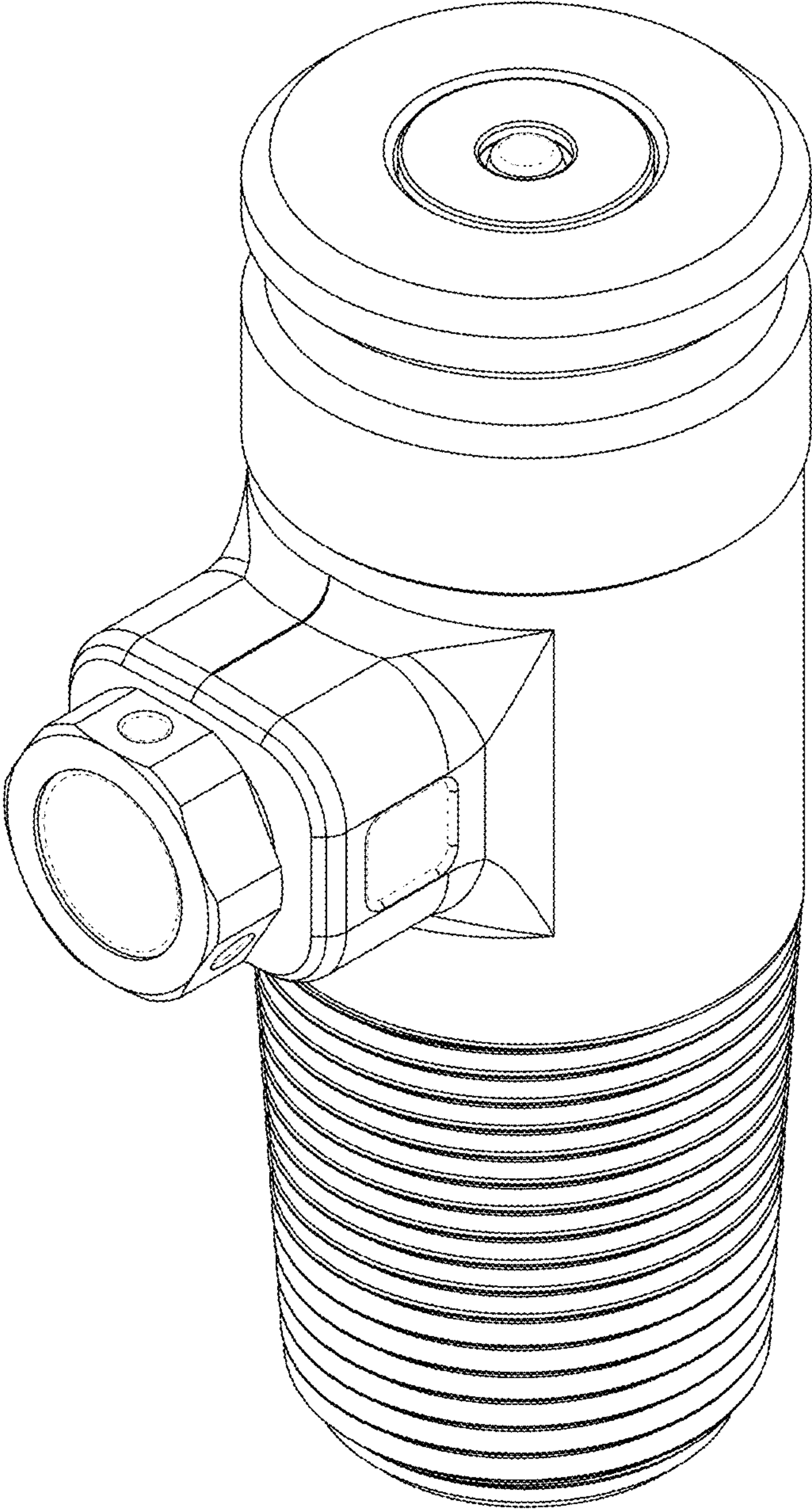
FIG. 6 is a bottom view thereof; and,

FIG. 7 is a top view thereof.

The broken lines shown in the figures are included for the purpose of illustrating portions of the valve and form no part of the claimed design.

1 Claim, 6 Drawing Sheets





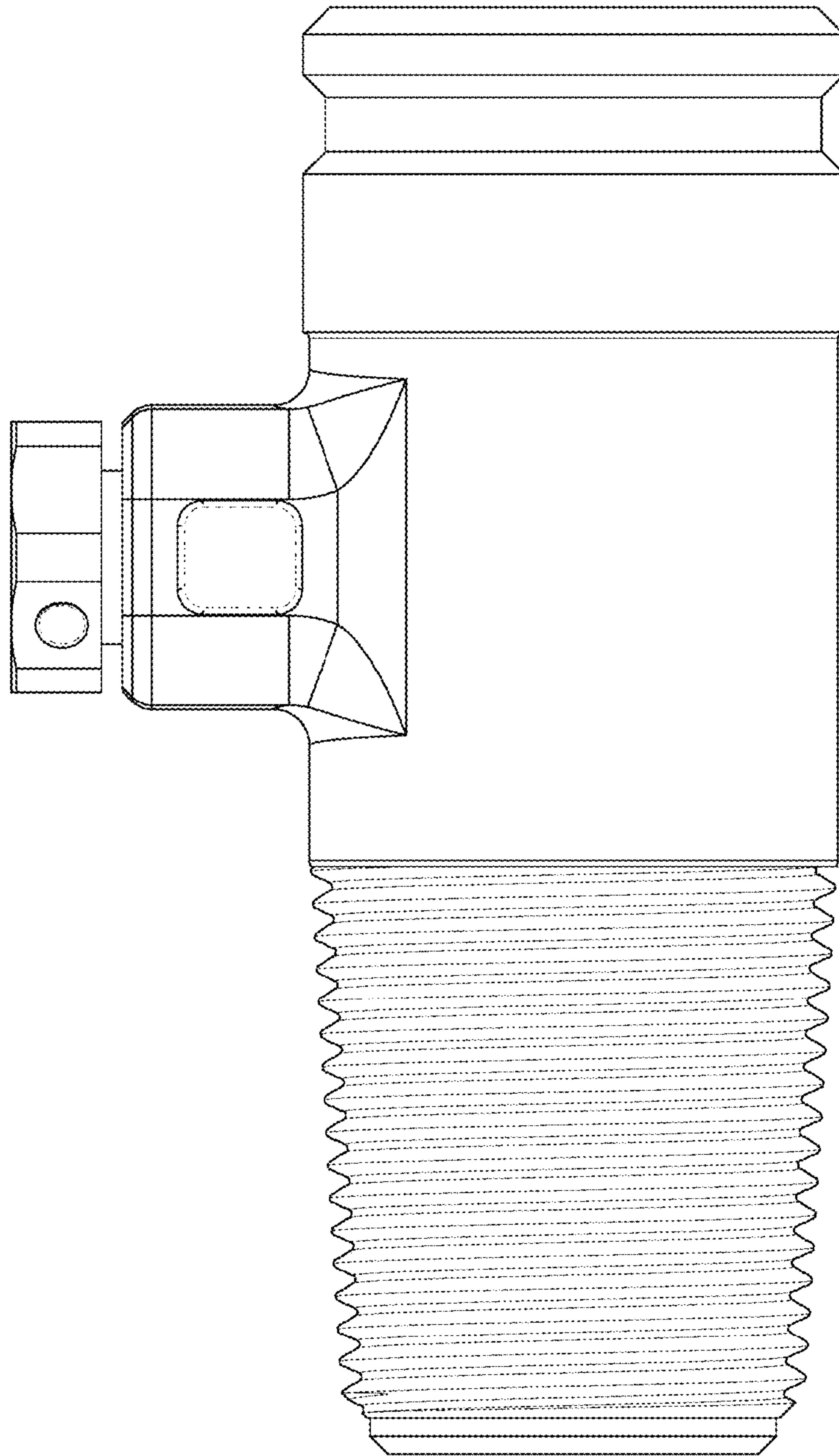


FIG. 2

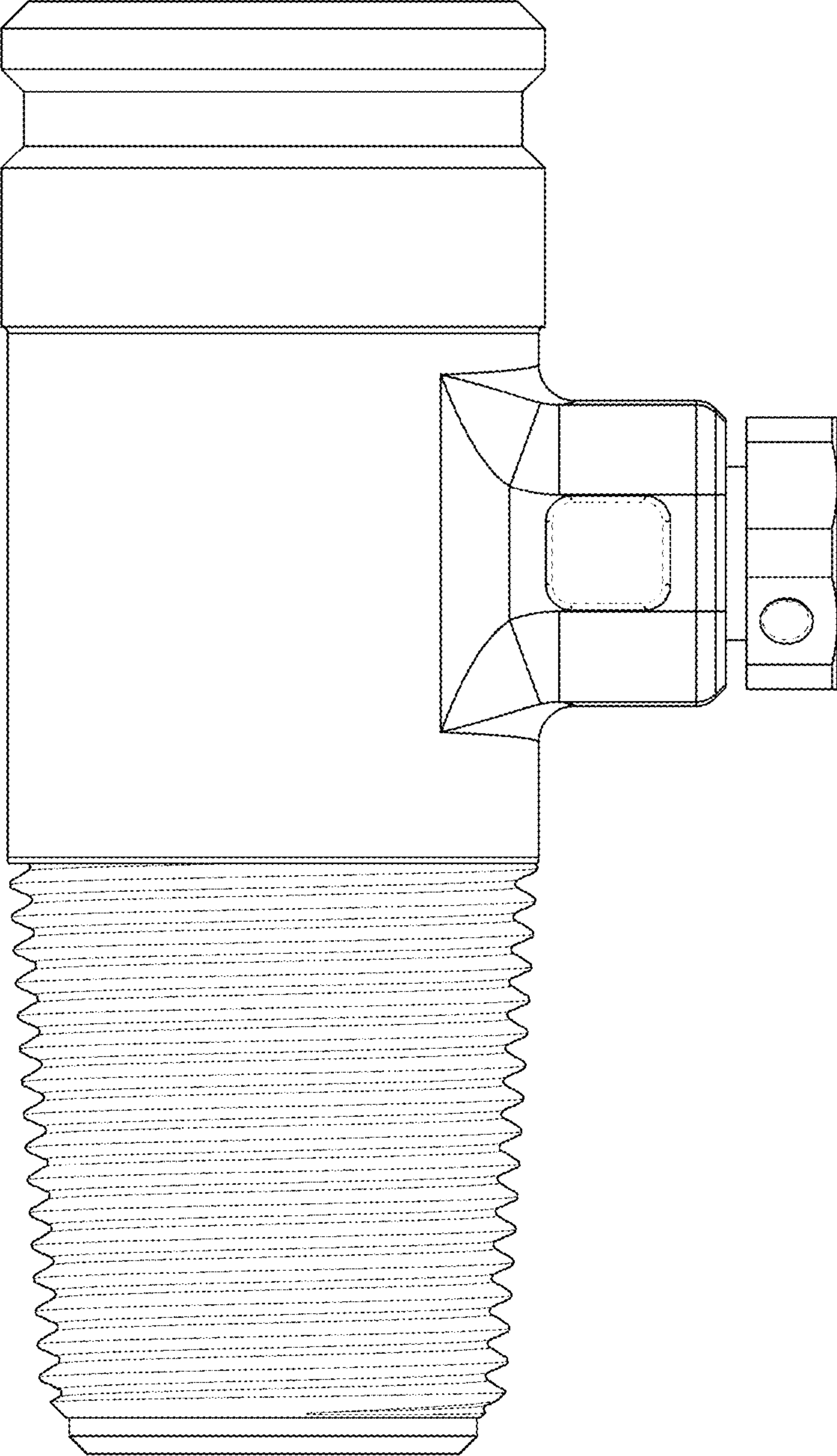


FIG. 3

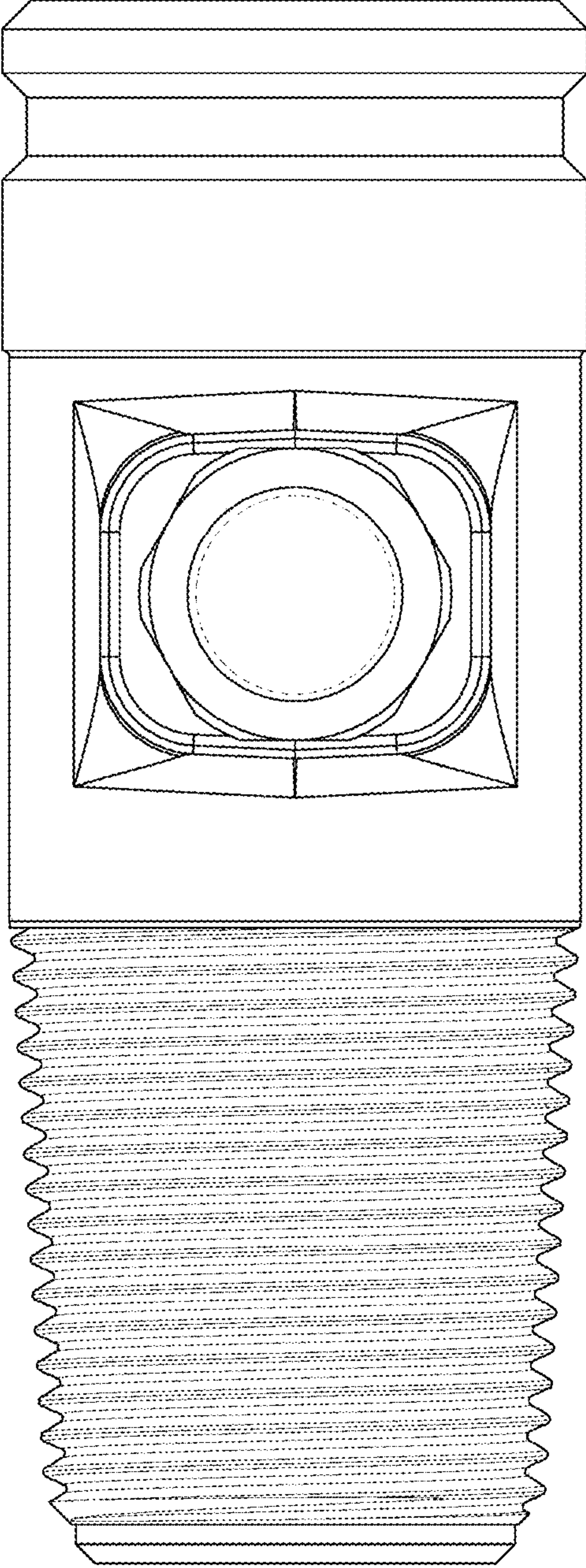


FIG. 4

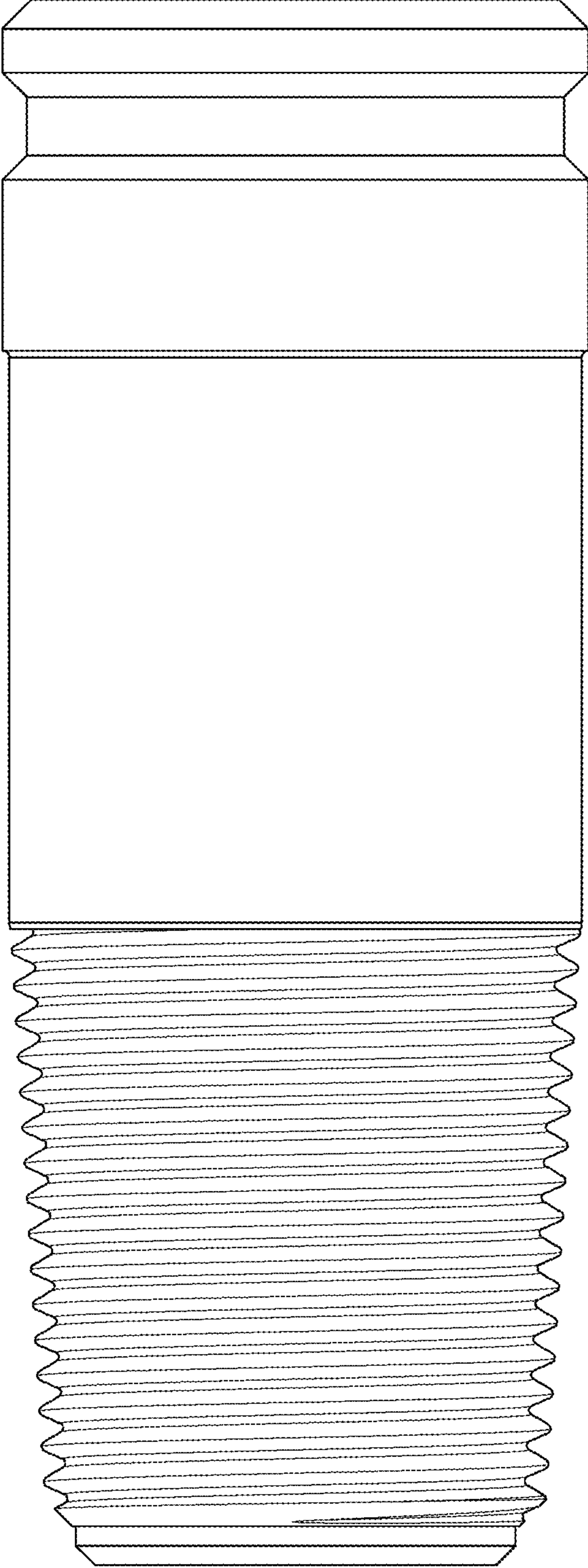


FIG. 5

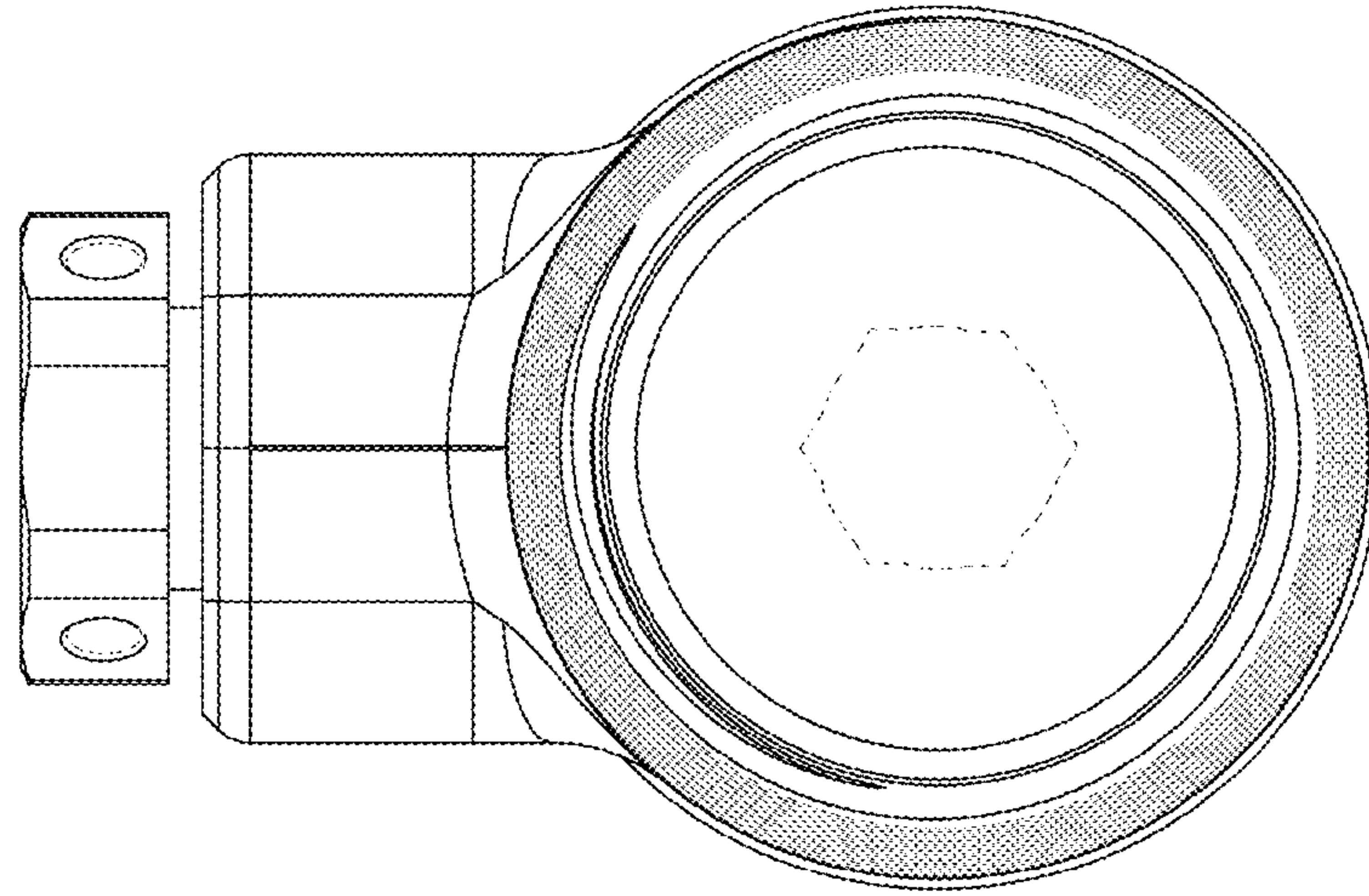


FIG. 6

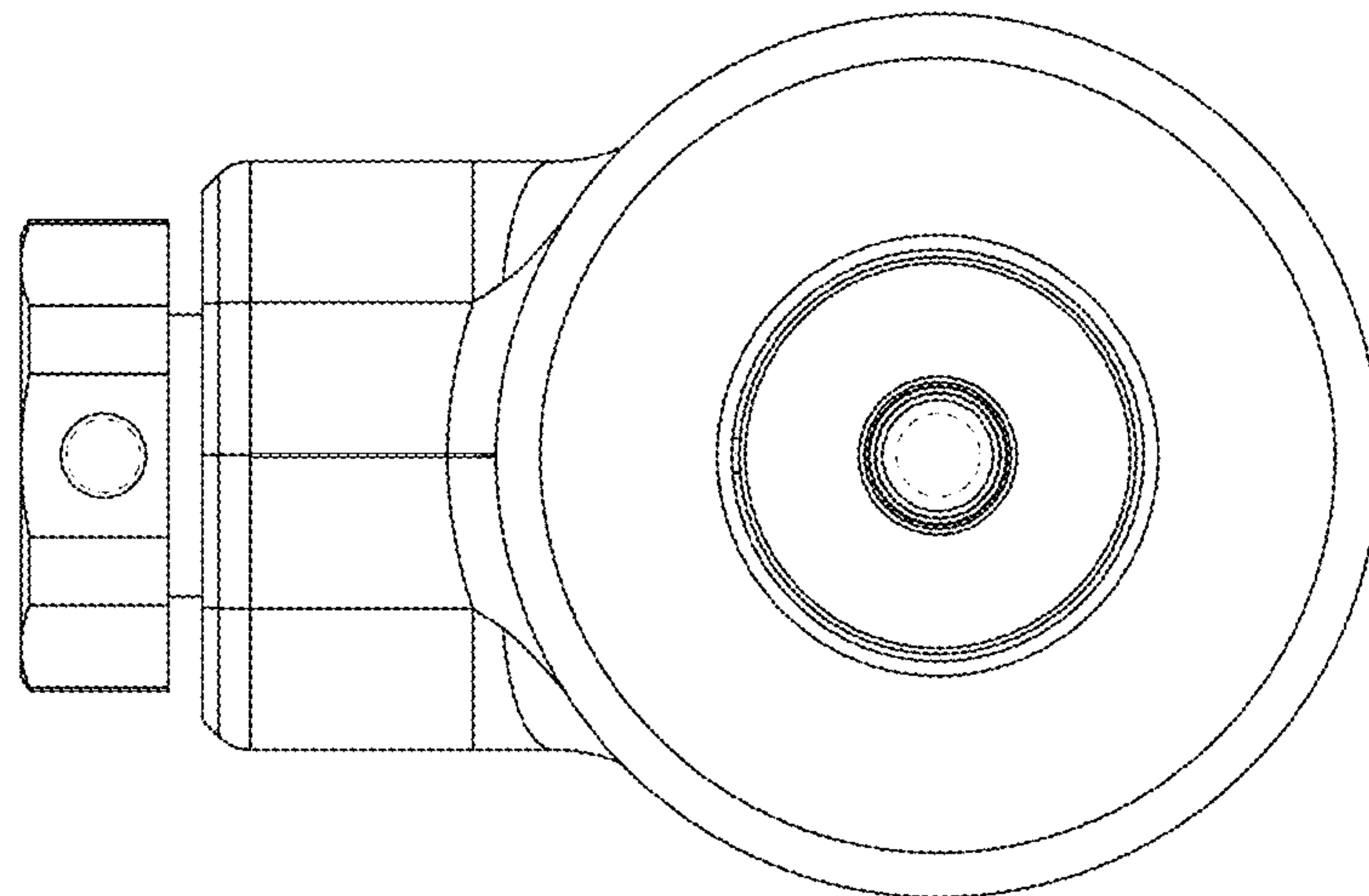


FIG. 7