



US00D858704S

(12) **United States Design Patent**
Yamada et al.

(10) **Patent No.:** **US D858,704 S**

(45) **Date of Patent:** **** *Sep. 3, 2019**

(54) **FLOW CONTROL VALVE**

CPC F16K 3/085; F16K 47/08
See application file for complete search history.

(71) Applicant: **SMC CORPORATION**, Chiyoda-ku
(JP)

(56) **References Cited**

U.S. PATENT DOCUMENTS

(72) Inventors: **Hirosuke Yamada**, Tsukubamirai (JP);
Naoyuki Suga, Kawaguchi (JP); **Akiho**
Nishimura, Moriya (JP); **Masahiko**
Yoshiwara, Toride (JP)

D416,076	S	*	11/1999	Okitsu	D23/235
D623,271	S	*	9/2010	Yamada	D23/233
D640,153	S	*	6/2011	Okitsu	D10/85
D640,154	S	*	6/2011	Okitsu	D10/85
D736,896	S	*	8/2015	Nishimura	D23/233
D753,268	S	*	4/2016	Nishimura	D23/233
D754,293	S	*	4/2016	Mangold	D23/233
D758,540	S	*	6/2016	Shishido	D23/233
D760,352	S	*	6/2016	Mangold	D23/233
D762,819	S	*	8/2016	Shishido	D23/235
2011/0233437	A1	*	9/2011	Mattson	F16K 5/0478 251/309

(73) Assignee: **SMC CORPORATION**, Chiyoda-ku
(JP)

(*) Notice: This patent is subject to a terminal disclaimer.

* cited by examiner

(**) Term: **15 Years**

Primary Examiner — Cynthia Ramirez

Assistant Examiner — Gino Colan

(21) Appl. No.: **29/635,999**

(74) *Attorney, Agent, or Firm* — Oblon, McClelland,
Maier & Neustadt, L.L.P.

(22) Filed: **Feb. 5, 2018**

(57) **CLAIM**

The ornamental design for a flow control valve, as shown and described.

(30) **Foreign Application Priority Data**

DESCRIPTION

Aug. 22, 2017 (JP) 2017-017956

(51) **LOC (12) Cl.** **23-01**

(52) **U.S. Cl.**
USPC **D23/235**

(58) **Field of Classification Search**
USPC D23/233–237, 241–249; 137/100, 14, 2,
137/505.11, 625.27, 625.4, 315.18, 486,
137/487.5, 599.05, 601.14, 554, 630.12,
137/398, 545, 547, 549, 505, 505.42,
137/116.3; 251/285, 129.15, 129.01, 250,
251/309; D10/85

FIG. 1 is a front, top, and right side perspective view of a flow control valve;
FIG. 2 is a front, bottom, and left side perspective view thereof;
FIG. 3 is a front elevational view thereof;
FIG. 4 is a rear elevational view thereof;
FIG. 5 is a top plan view thereof;
FIG. 6 is a bottom plan view thereof;
FIG. 7 is a left side elevational view thereof; and,
FIG. 8 is a right side elevational view thereof.
The broken lines in the drawings illustrate portions of the flow control valve that form no part of the claimed design.

1 Claim, 4 Drawing Sheets

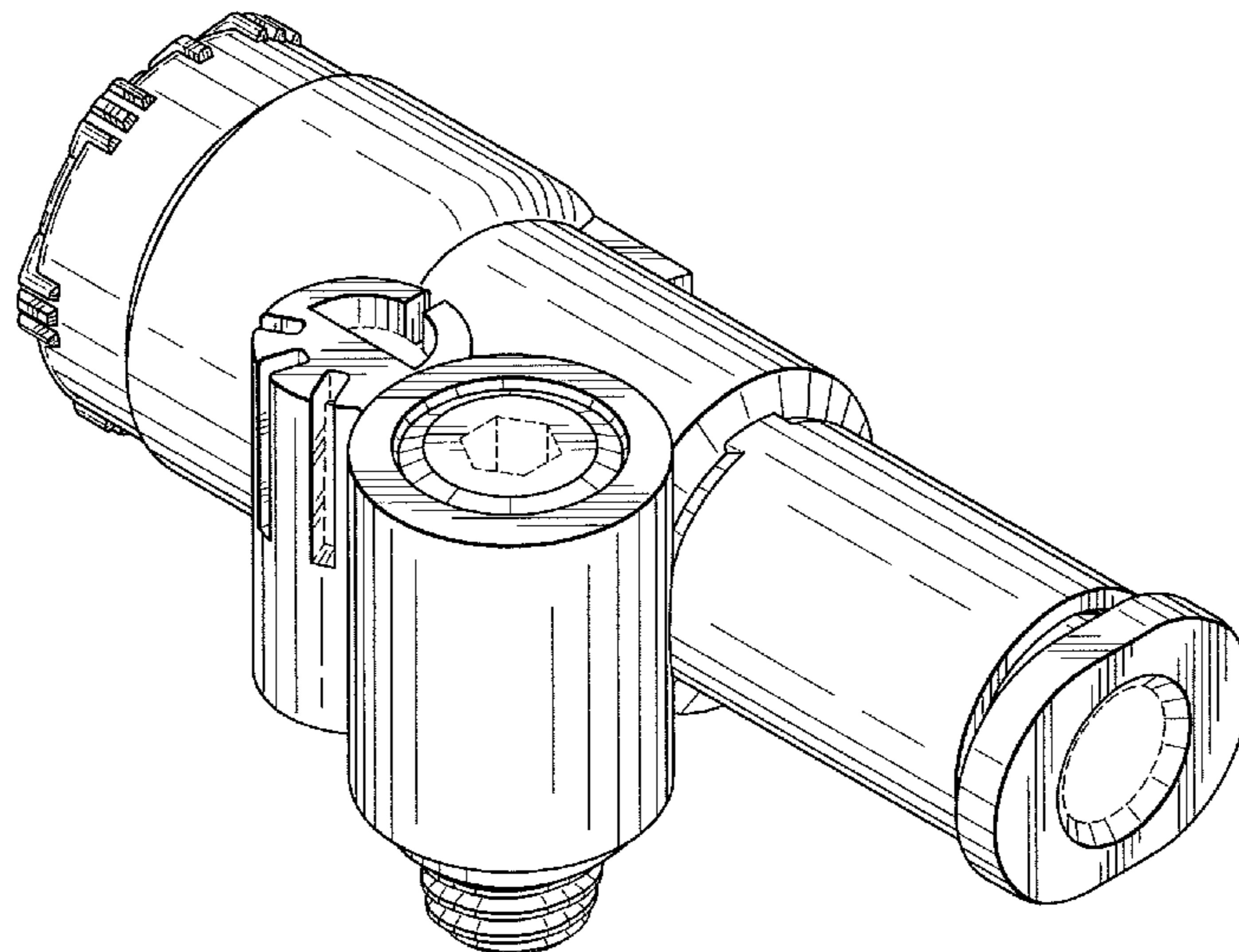


FIG. 1

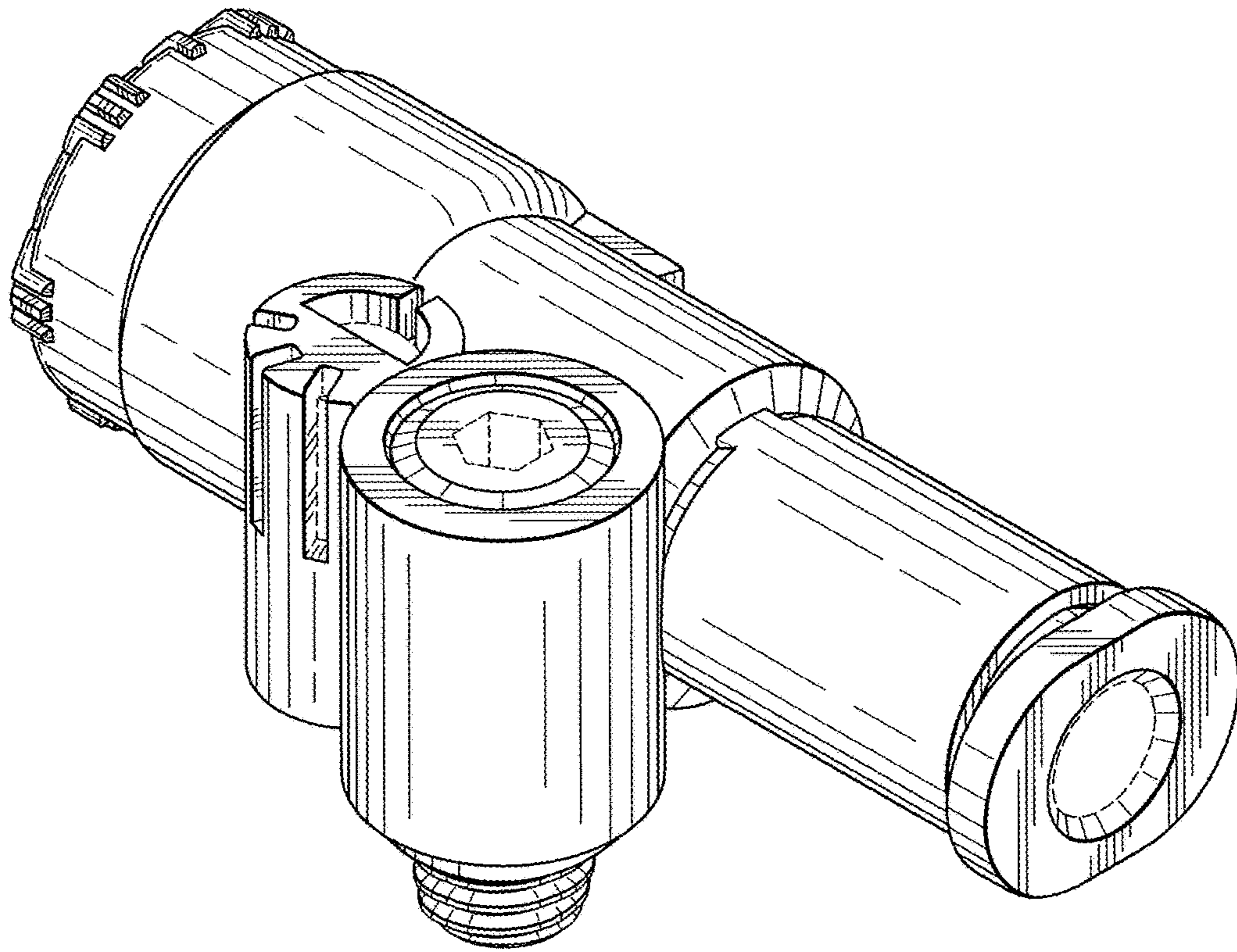


FIG. 2

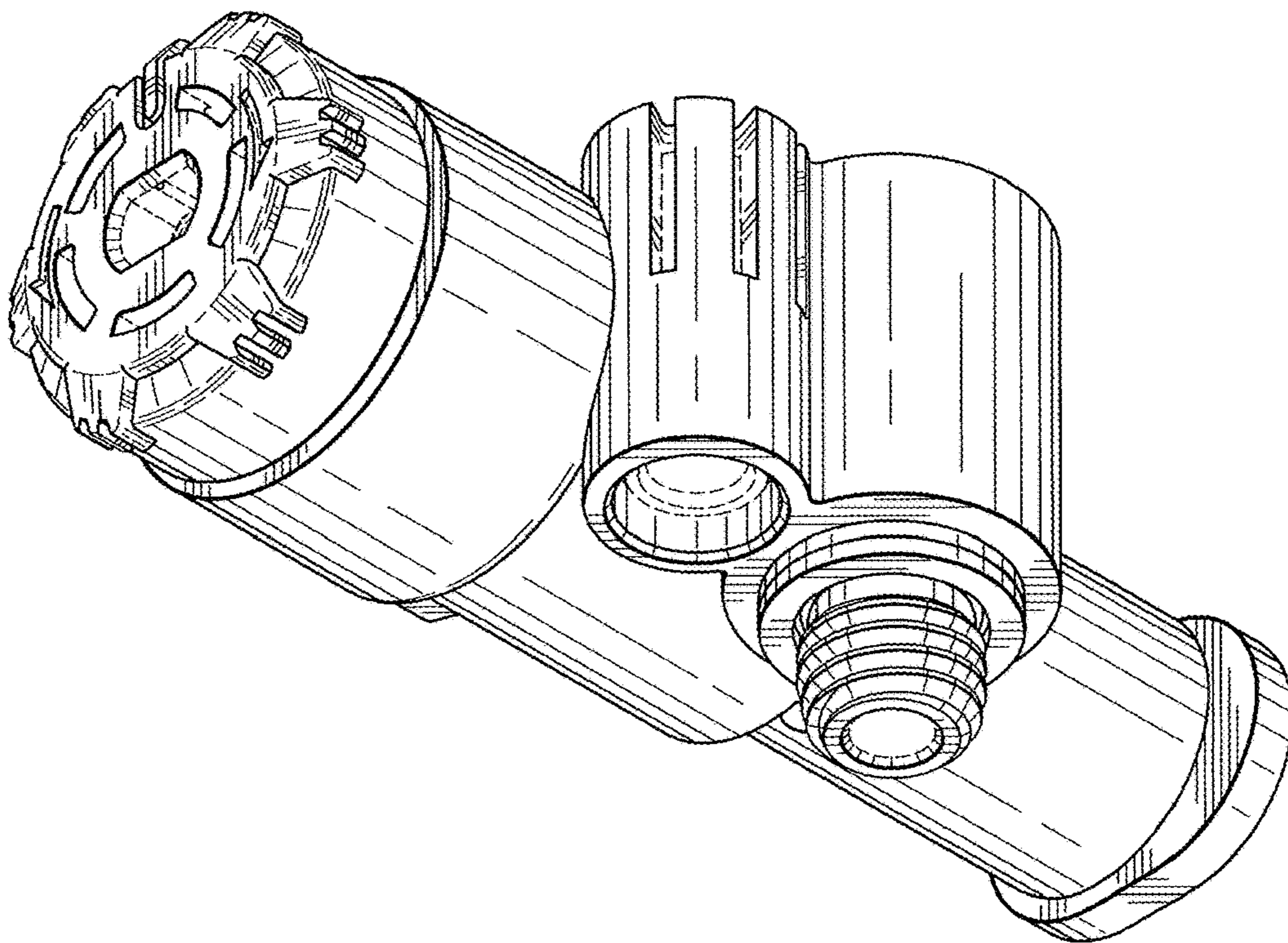


FIG. 3

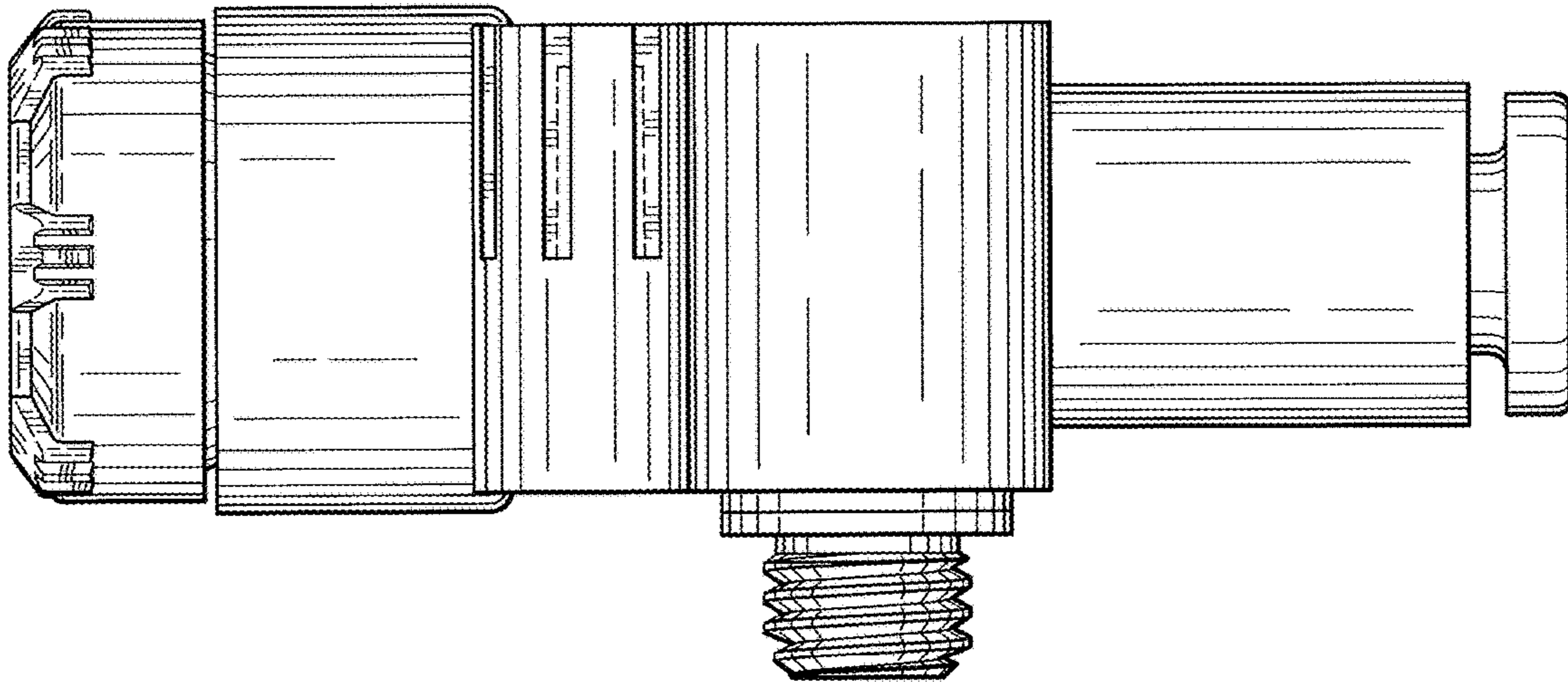


FIG. 4

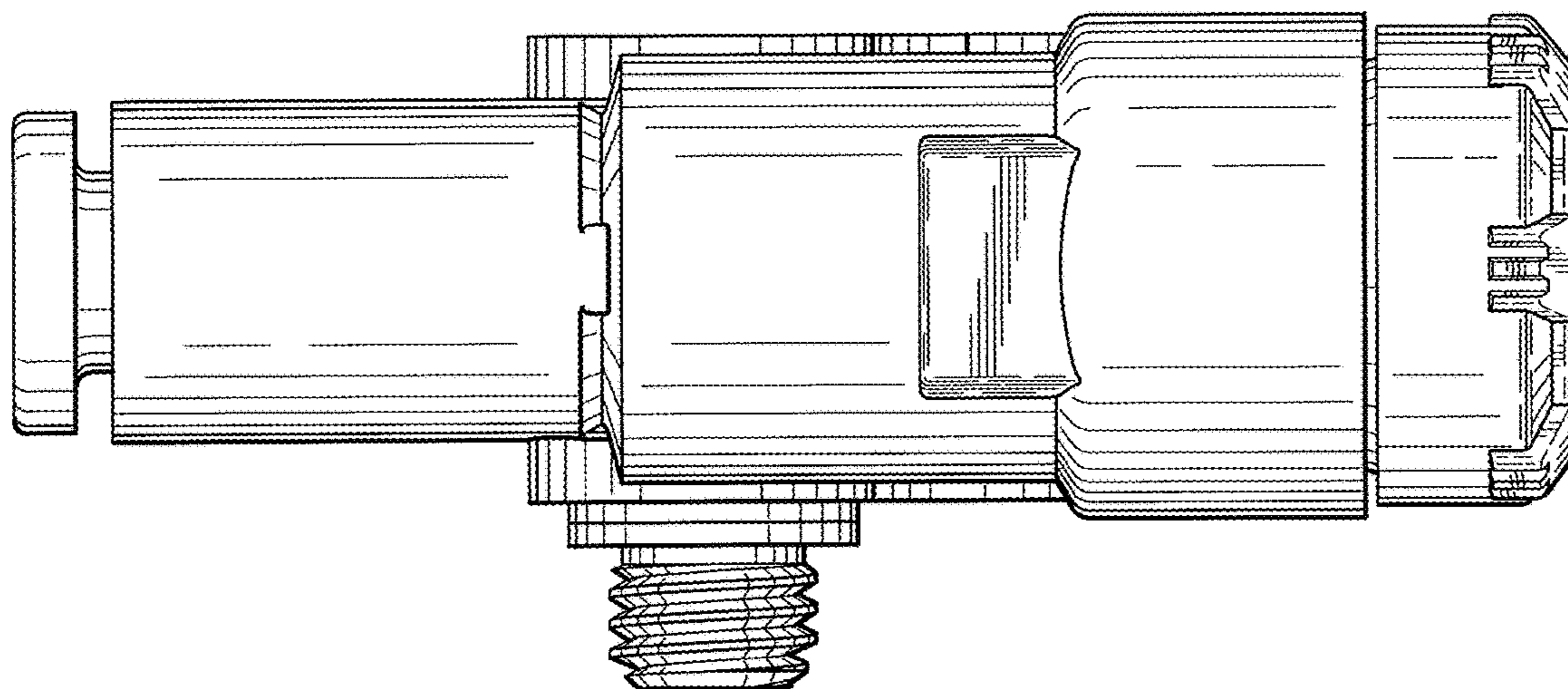


FIG. 5

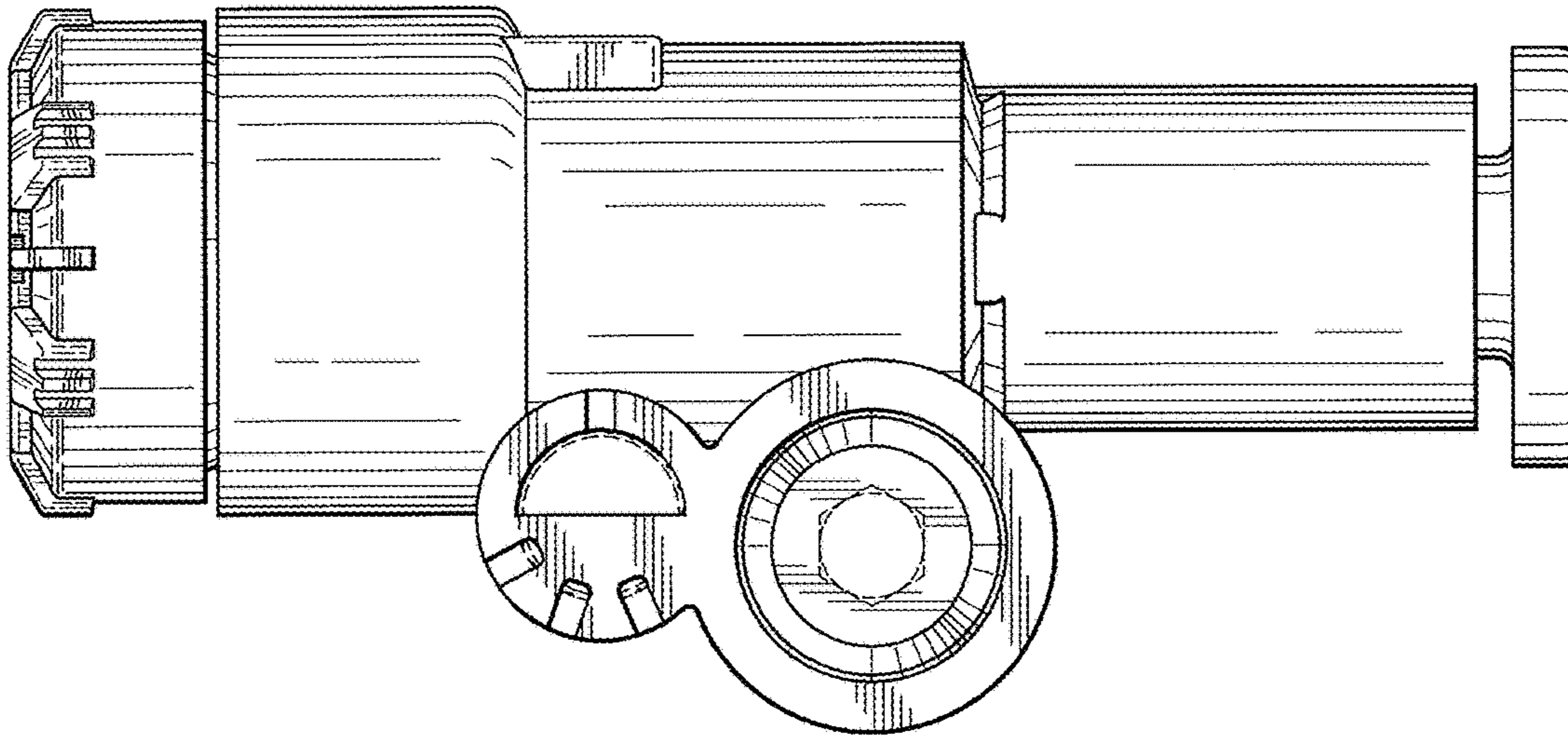


FIG. 6

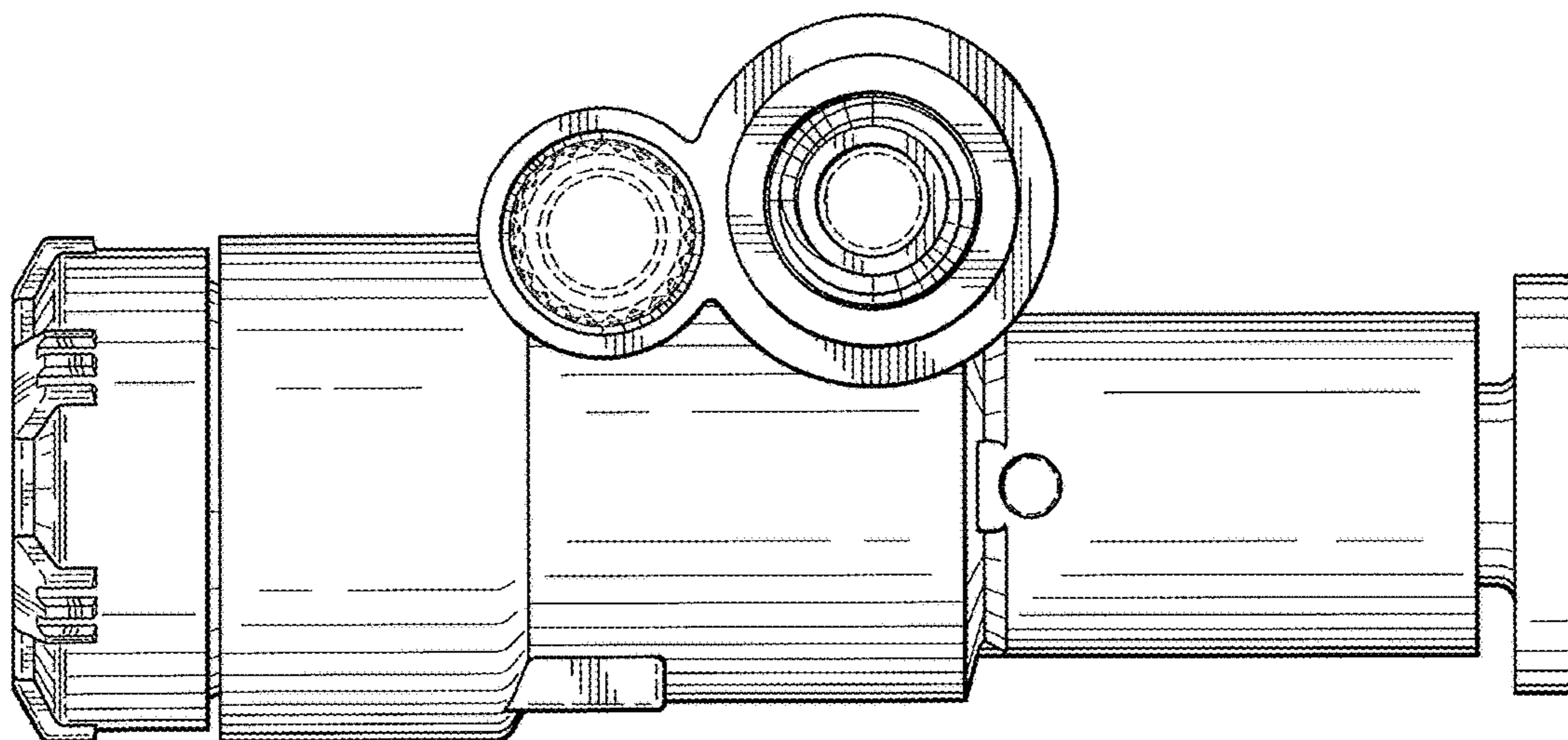


FIG. 7

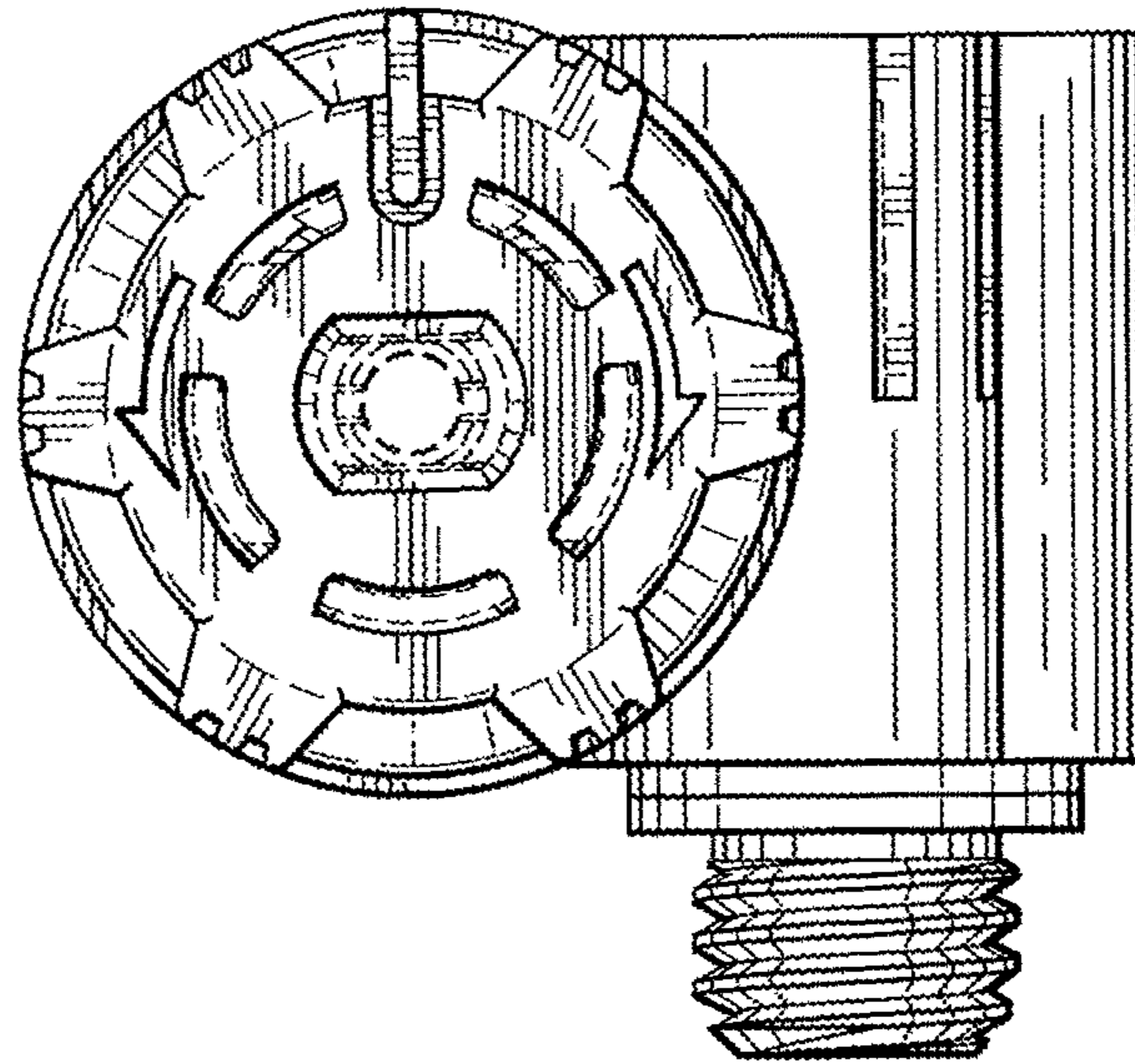


FIG. 8

