

US00D858703S

(12) **United States Design Patent** (10) **Patent No.:** **US D858,703 S**
Lagoni et al. (45) **Date of Patent:** **** Sep. 3, 2019**

- | | | | | |
|---|-------------------|---------|-----------------|--------------------------|
| (54) VALVE | 5,765,593 A * | 6/1998 | Rohringer | B62D 5/083
137/625.23 |
| (71) Applicant: DANFOSS A/S , Nordborg (DK) | 5,975,139 A * | 11/1999 | Carroll | F02M 47/027
137/625.6 |
| (72) Inventors: Bjarne Hechmann Lagoni , Kolding (DK); Simon Ahrens Lassen , Kolding (DK); Klaus Halldorsson , Kolding (DK); Jens Erik Rasmussen , Gråsten (DK) | 6,009,903 A * | 1/2000 | Rohringer | B62D 5/083
137/625.23 |
| | D542,888 S * | 5/2007 | Ye | D23/233 |
| | 2006/0006356 A1 * | 1/2006 | Hansson | F16K 1/36
251/264 |
| | 2010/0243068 A1 * | 9/2010 | Fisher | F16K 31/04
137/14 |
| (73) Assignee: Danfoss A/S , Nordborg (DK) | 2014/0034860 A1 * | 2/2014 | Grosser | F16L 55/105
251/324 |

(**) Term: **15 Years**

(21) Appl. No.: **29/639,197**

(22) Filed: **Mar. 5, 2018**

Related U.S. Application Data

(62) Division of application No. 29/570,164, filed on Jul. 6, 2016.

(30) **Foreign Application Priority Data**

Jan. 8, 2016 (EM) 002938555

(51) **LOC (12) Cl.** **23-01**

(52) **U.S. Cl.**
USPC **D23/233**

(58) **Field of Classification Search**
USPC D23/233-249; 137/14, 625.64, 625.23, 137/85; 251/205, 264, 324
CPC F16K 1/36; F16K 31/047
See application file for complete search history.

(56) **References Cited**

U.S. PATENT DOCUMENTS

- | | | | |
|---------------|--------|--------------|-----------------------|
| 3,802,453 A * | 4/1974 | Fleury | B60T 13/141
137/85 |
| 4,391,430 A * | 7/1983 | Miller | F16K 3/32
138/43 |

* cited by examiner

Primary Examiner — Cynthia Ramirez

Assistant Examiner — Gino Colan

(74) *Attorney, Agent, or Firm* — McCormick, Paulding & Huber LLP

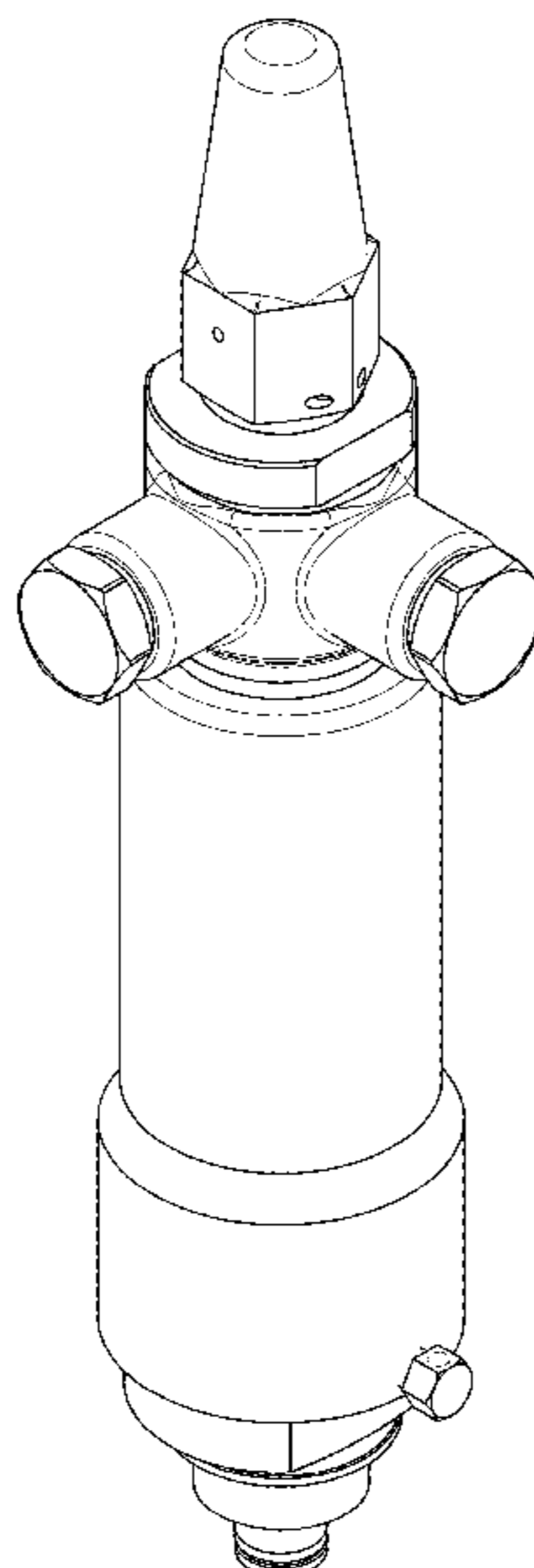
(57) **CLAIM**

The ornamental design for a valve, as shown and described.

DESCRIPTION

FIG. 1 is a front, left side and top perspective view of a valve comprising a new, original and ornamental design;
 FIG. 2 is a front view thereof;
 FIG. 3 is a rear view thereof;
 FIG. 4 is a left side view thereof;
 FIG. 5 is a right side view thereof;
 FIG. 6 is a top view thereof; and,
 FIG. 7 is a bottom view thereof.
 The broken lines shown in the figures are included for the purpose of illustrating portions of the valve and form no part of the claimed design.

1 Claim, 7 Drawing Sheets



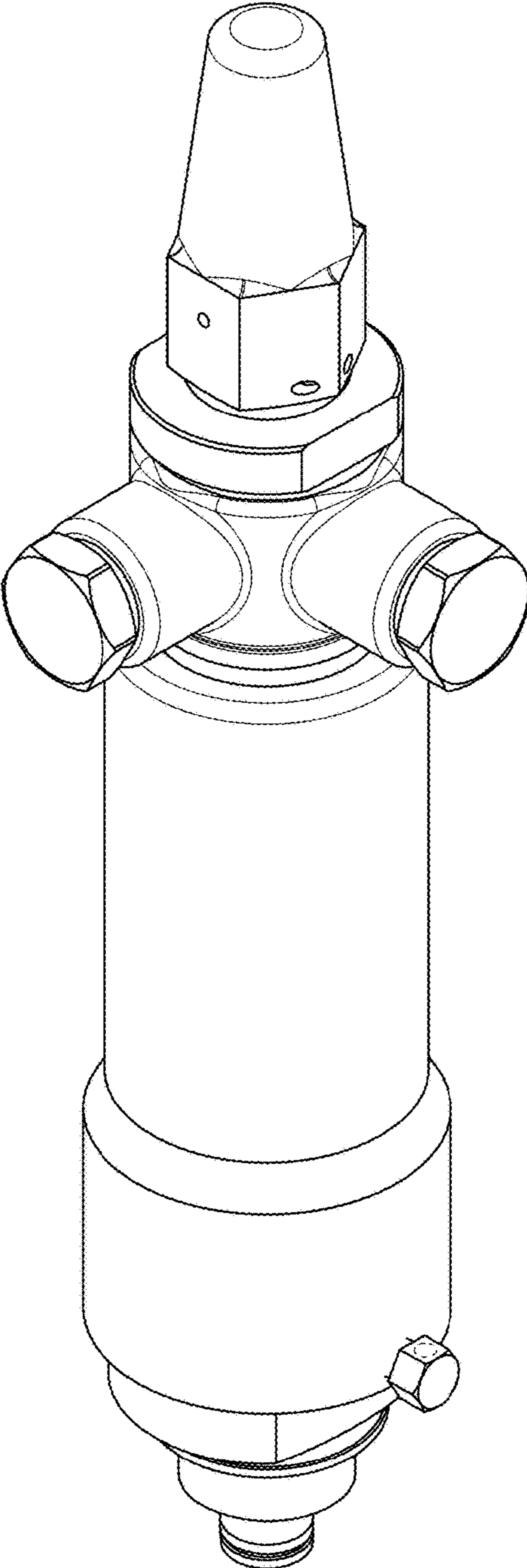


FIG. 1

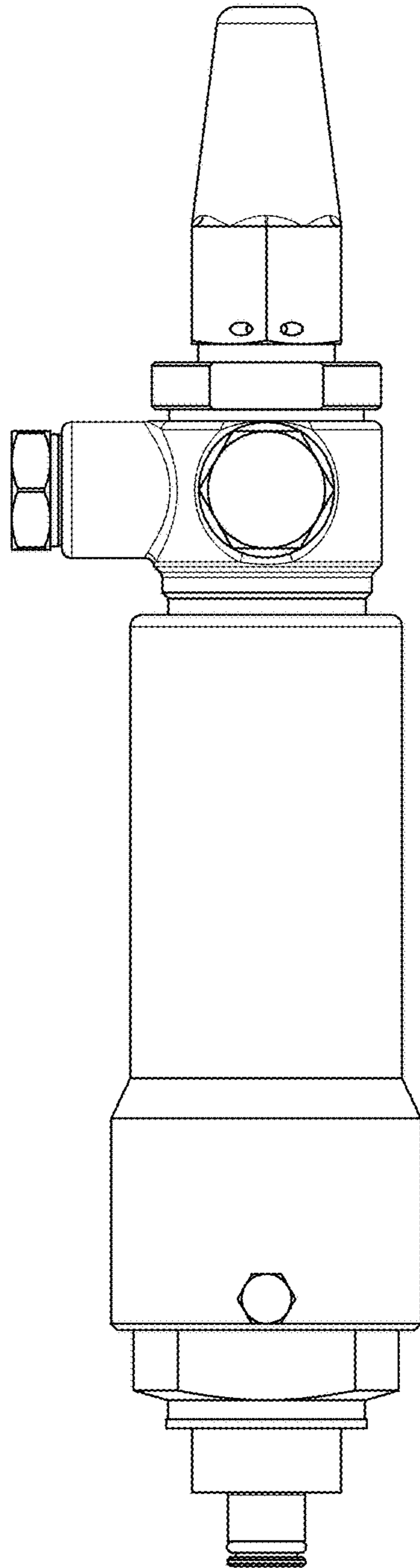


FIG. 2

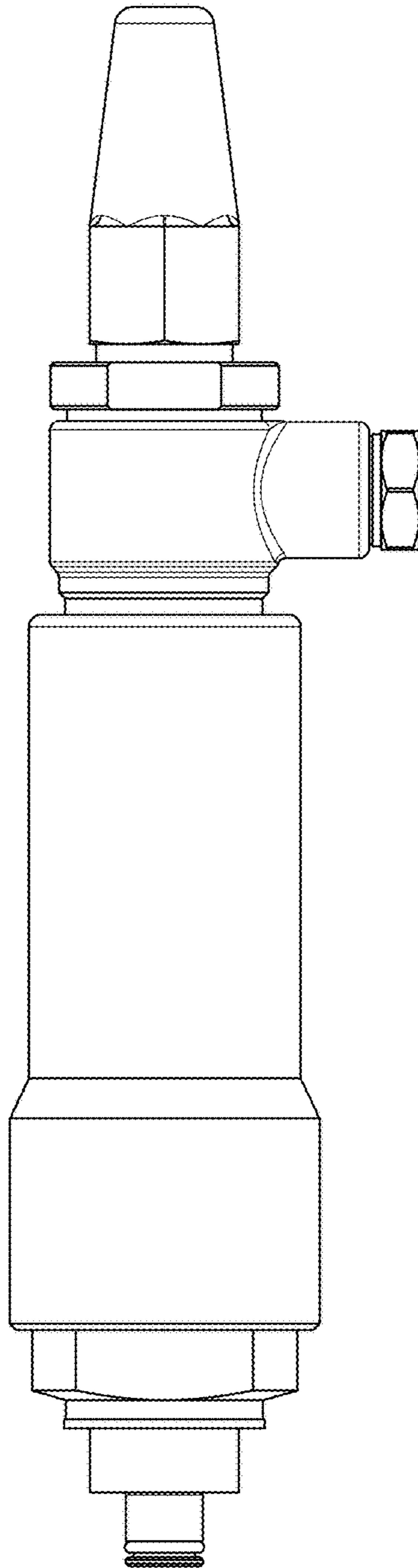


FIG. 3

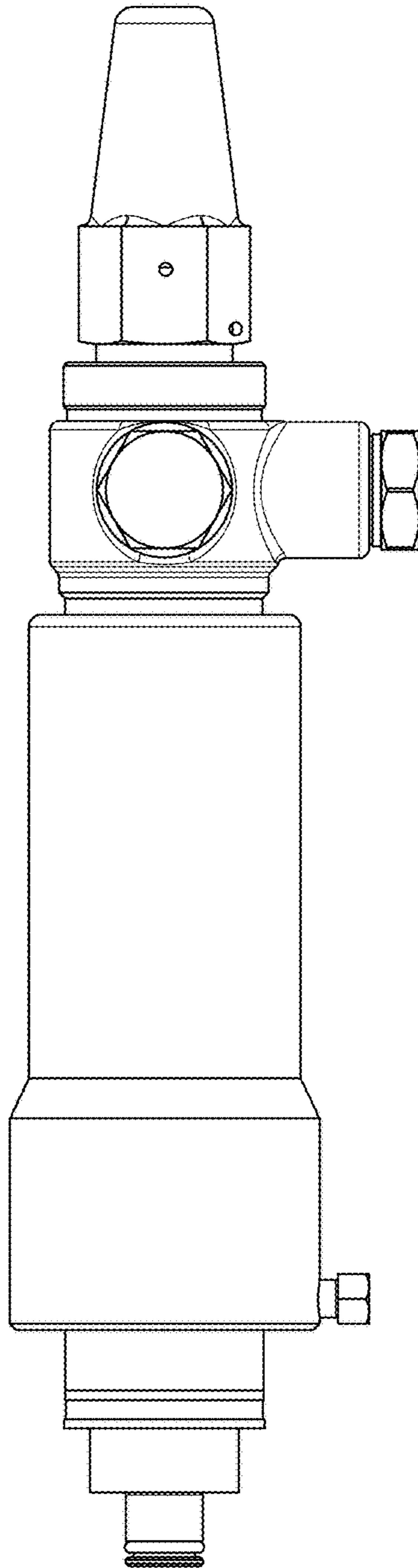


FIG. 4

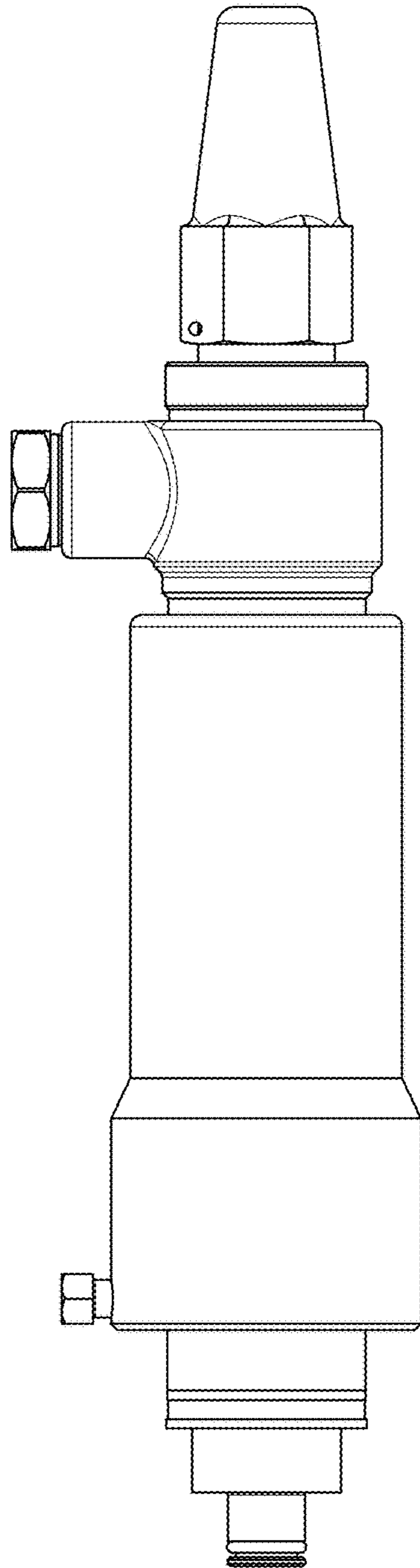


FIG. 5

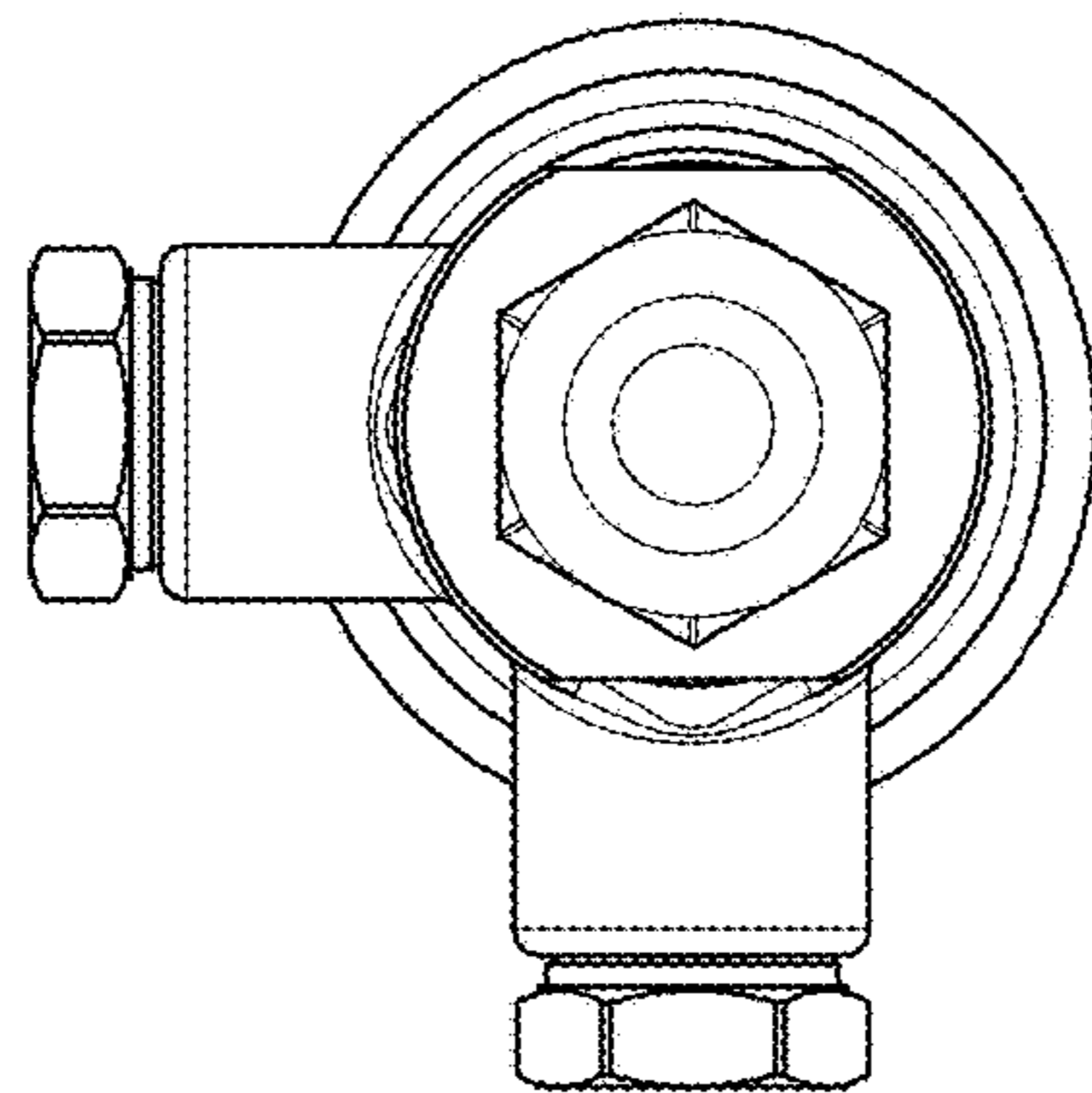


FIG. 6

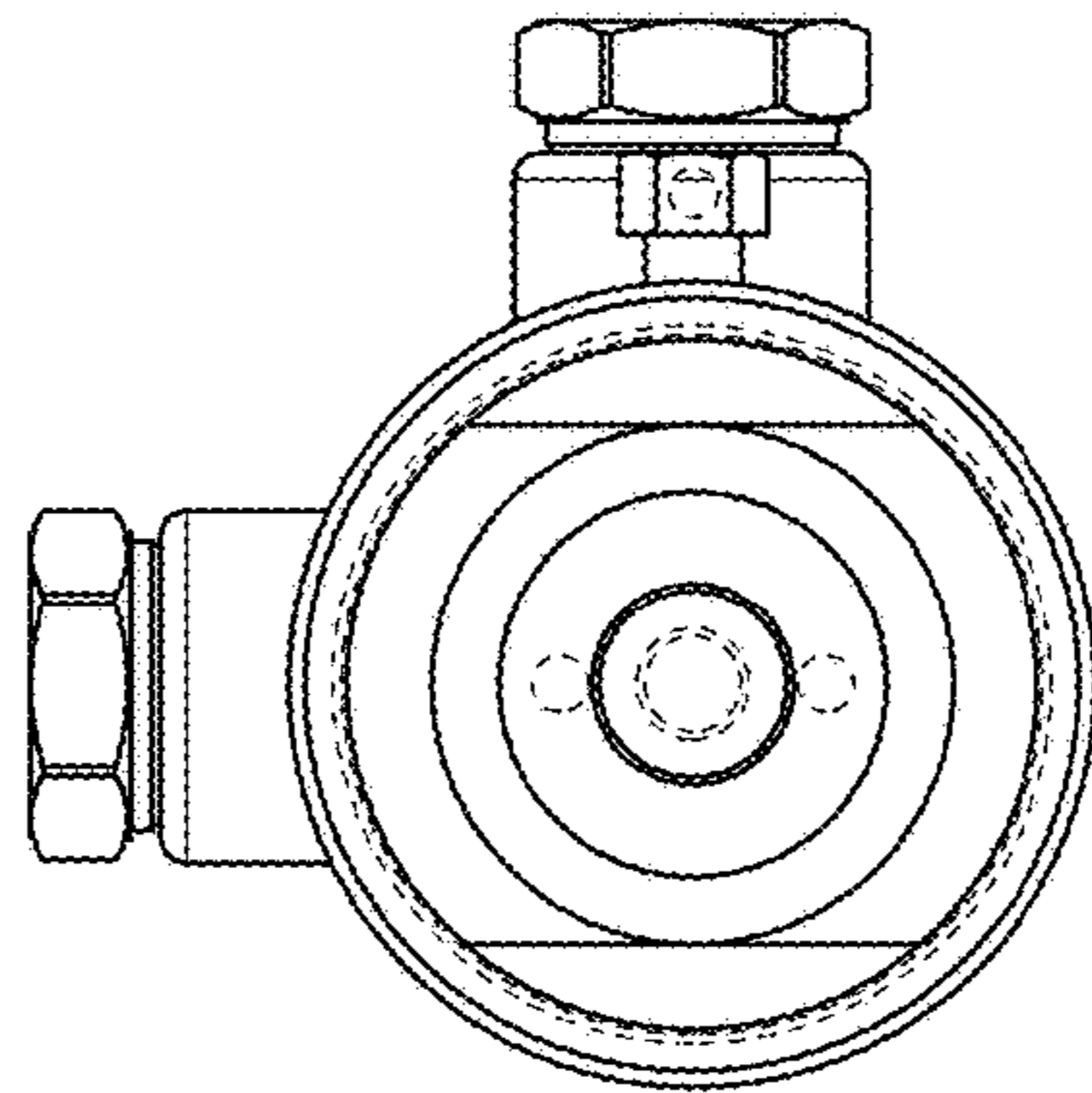


FIG. 7