



US00D858702S

(12) **United States Design Patent** (10) **Patent No.:** **US D858,702 S**  
**Lagoni et al.** (45) **Date of Patent:** **\*\* Sep. 3, 2019**

(54) VALVE	5,765,593 A *	6/1998	Rohringer	.....	B62D 5/083 137/625.23
(71) Applicant: DANFOSS A/S, Nordborg (DK)	5,975,139 A *	11/1999	Carroll	.....	F02M 47/027 137/625.6
(72) Inventors: Bjarne Hechmann Lagoni, Kolding (DK); Simon Ahrens Lassen, Kolding (DK); Klaus Halldorsson, Kolding (DK); Jens Erik Rasmussen, Gråsten (DK)	6,009,903 A *	1/2000	Rohringer	.....	B62D 5/083 137/625.23
	D542,888 S *	5/2007	Ye	.....	D23/233
	2006/0006356 A1 *	1/2006	Hansson	.....	F16K 1/36 251/264
	2010/0243068 A1 *	9/2010	Fisher	.....	F16K 31/04 137/14
(73) Assignee: Danfoss A/S, Nordborg (DK)	2014/0034860 A1 *	2/2014	Grosser	.....	F16L 55/105 251/324

(\*\*) Term: **15 Years**

(21) Appl. No.: **29/639,192**

(22) Filed: **Mar. 5, 2018**

**Related U.S. Application Data**

(62) Division of application No. 29/570,164, filed on Jul. 6, 2016.

(30) **Foreign Application Priority Data**

Jan. 8, 2016 (EM) ..... 002938555

(51) **LOC (12) Cl.** ..... **23-01**

(52) **U.S. Cl.**  
USPC ..... **D23/233**

(58) **Field of Classification Search**  
USPC ..... D23/233-249; 137/14, 625.64, 625.23,  
137/85; 251/205, 264, 324  
CPC ..... F16K 1/36; F16K 31/047  
See application file for complete search history.

(56) **References Cited**

**U.S. PATENT DOCUMENTS**

3,802,453 A *	4/1974	Fleury	.....	B60T 13/141 137/85
4,391,430 A *	7/1983	Miller	.....	F16K 3/32 138/43

\* cited by examiner

*Primary Examiner* — Cynthia Ramirez

*Assistant Examiner* — Gino Colan

(74) *Attorney, Agent, or Firm* — McCormick, Paulding & Huber LLP

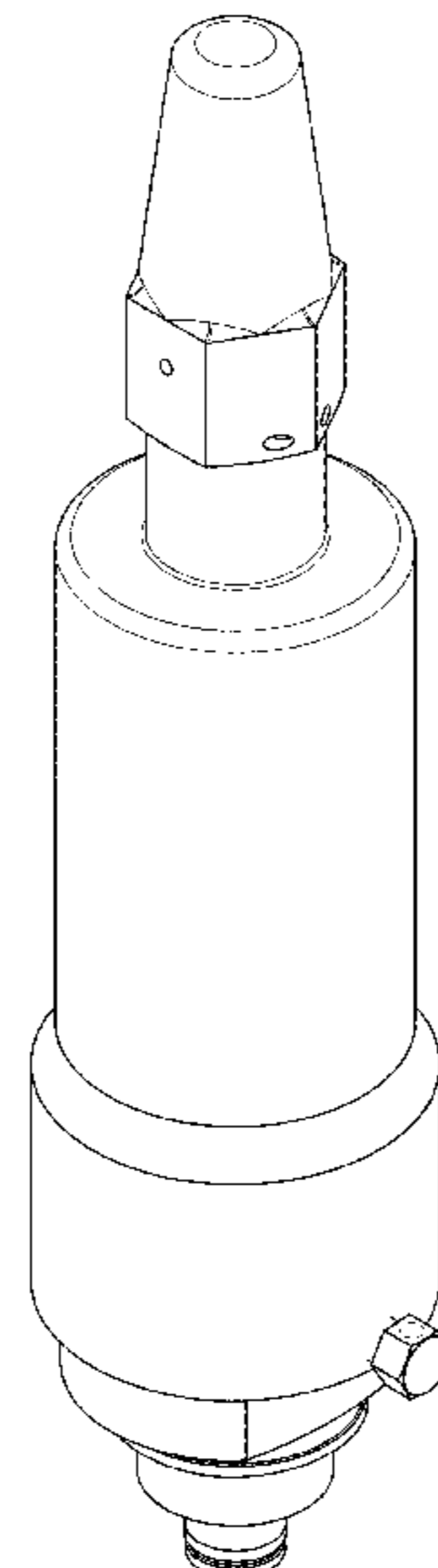
(57) **CLAIM**

The ornamental design for a valve, as shown and described.

**DESCRIPTION**

FIG. 1 is a front, left side and top perspective view of a valve comprising a new, original and ornamental design;  
 FIG. 2 is a front view thereof;  
 FIG. 3 is a rear view thereof;  
 FIG. 4 is a left side view thereof;  
 FIG. 5 is a right side view thereof;  
 FIG. 6 is a top view thereof; and,  
 FIG. 7 is a bottom view thereof.  
 The broken lines shown in the figures are included for the purpose of illustrating portions of the valve and form no part of the claimed design.

**1 Claim, 7 Drawing Sheets**



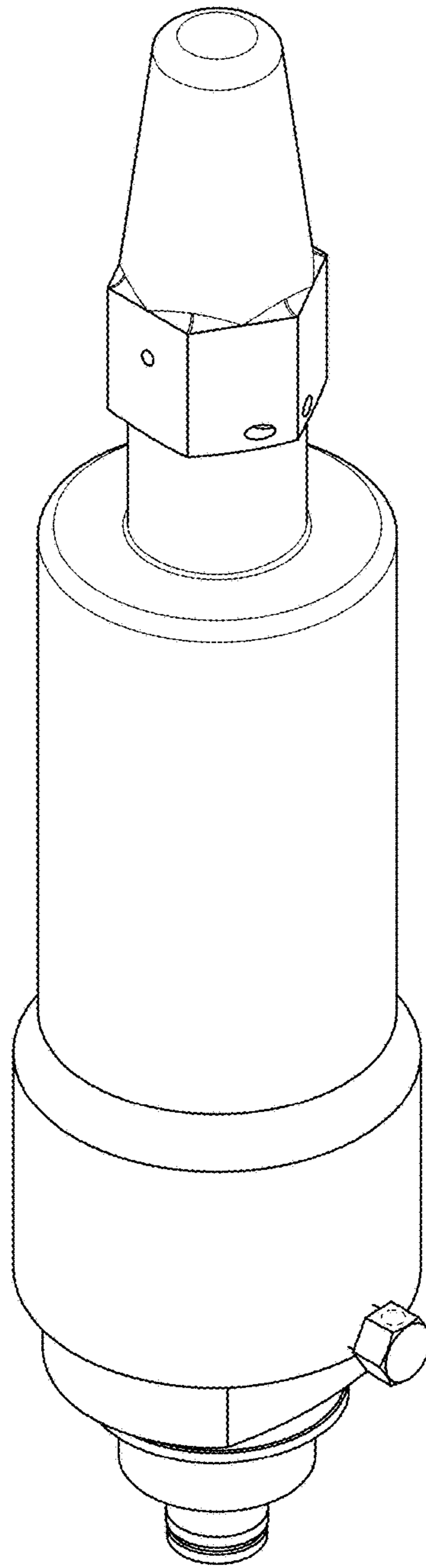


FIG. 1

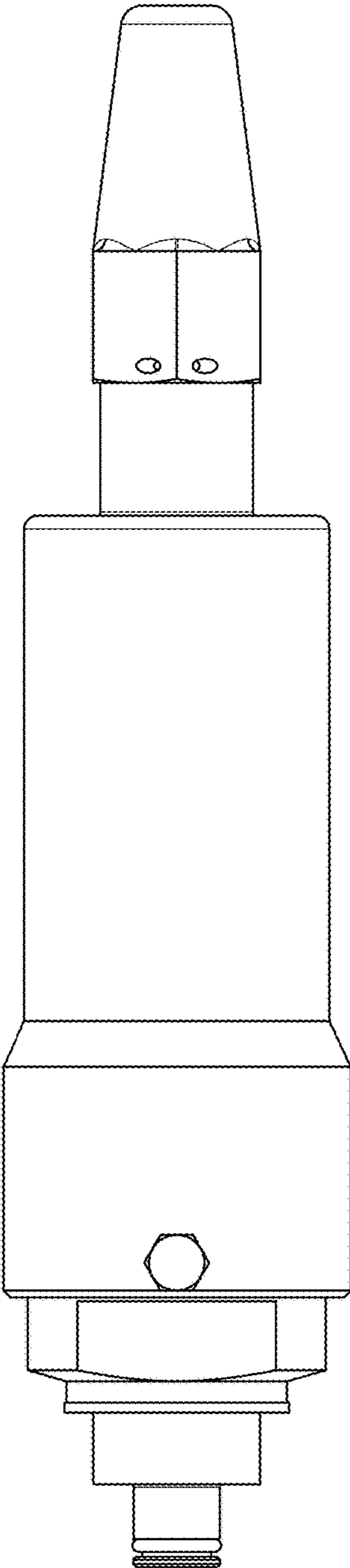


FIG. 2

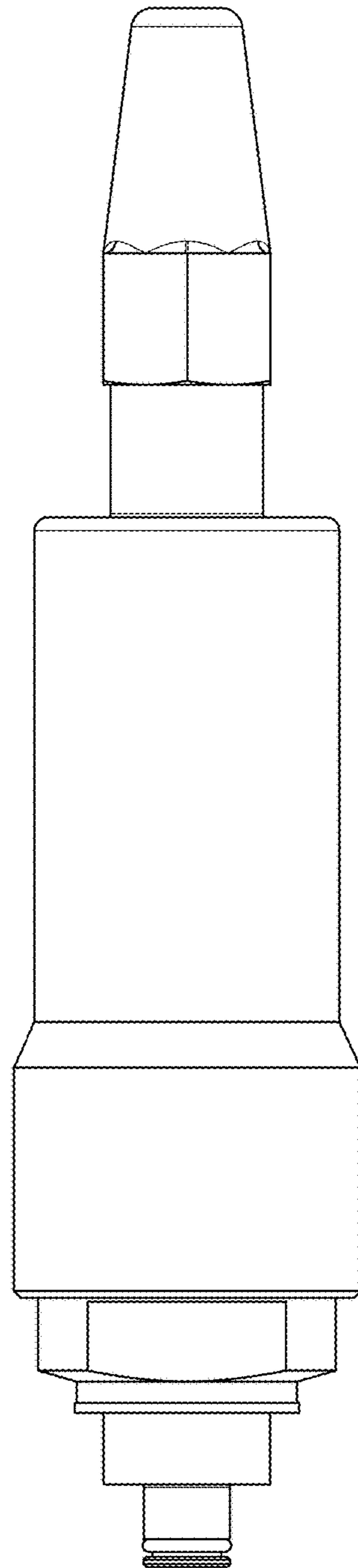


FIG. 3

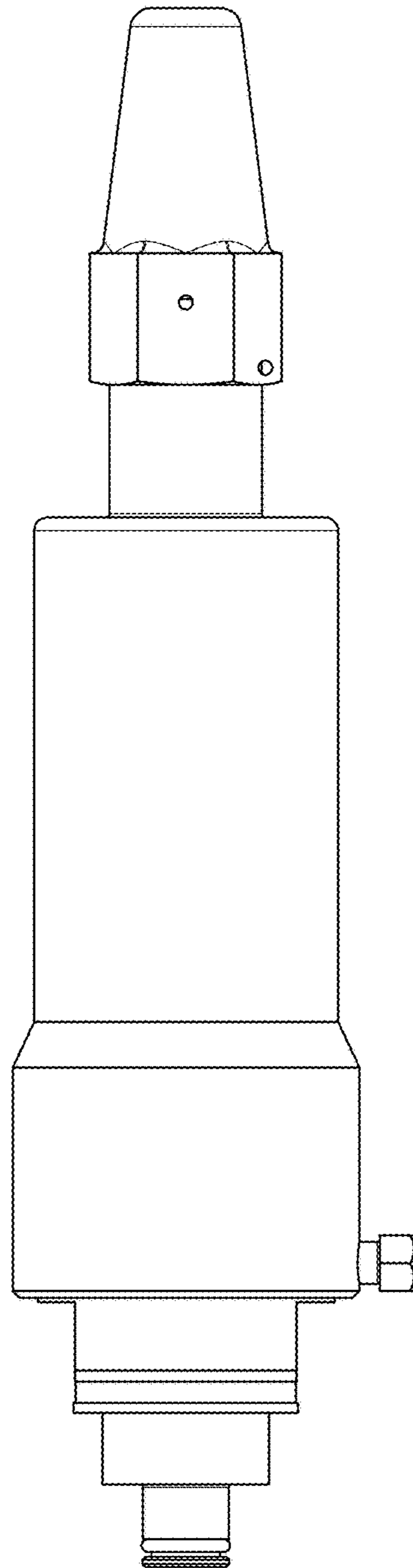


FIG. 4

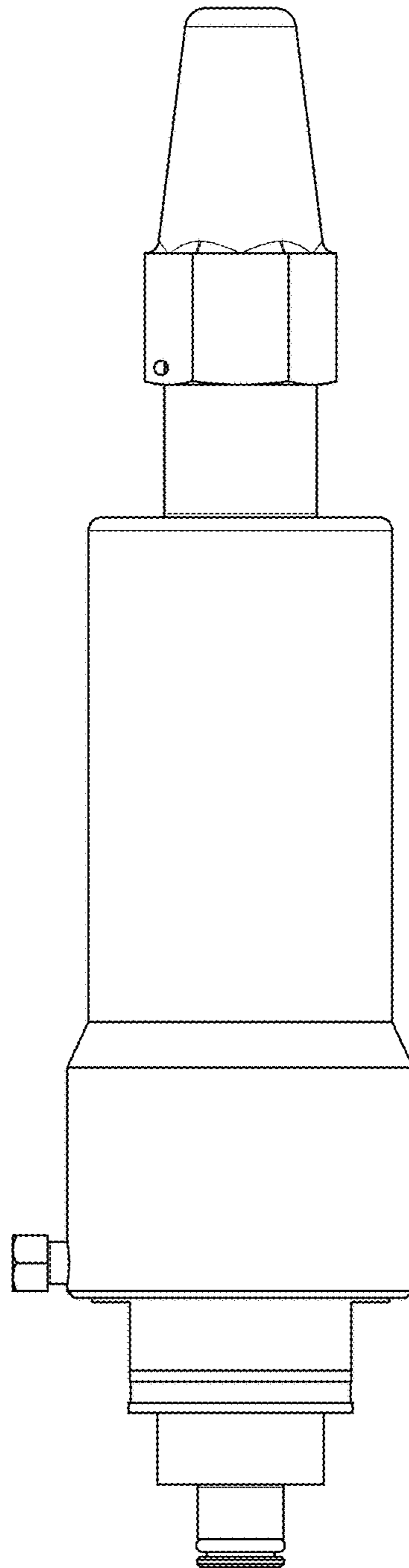


FIG. 5

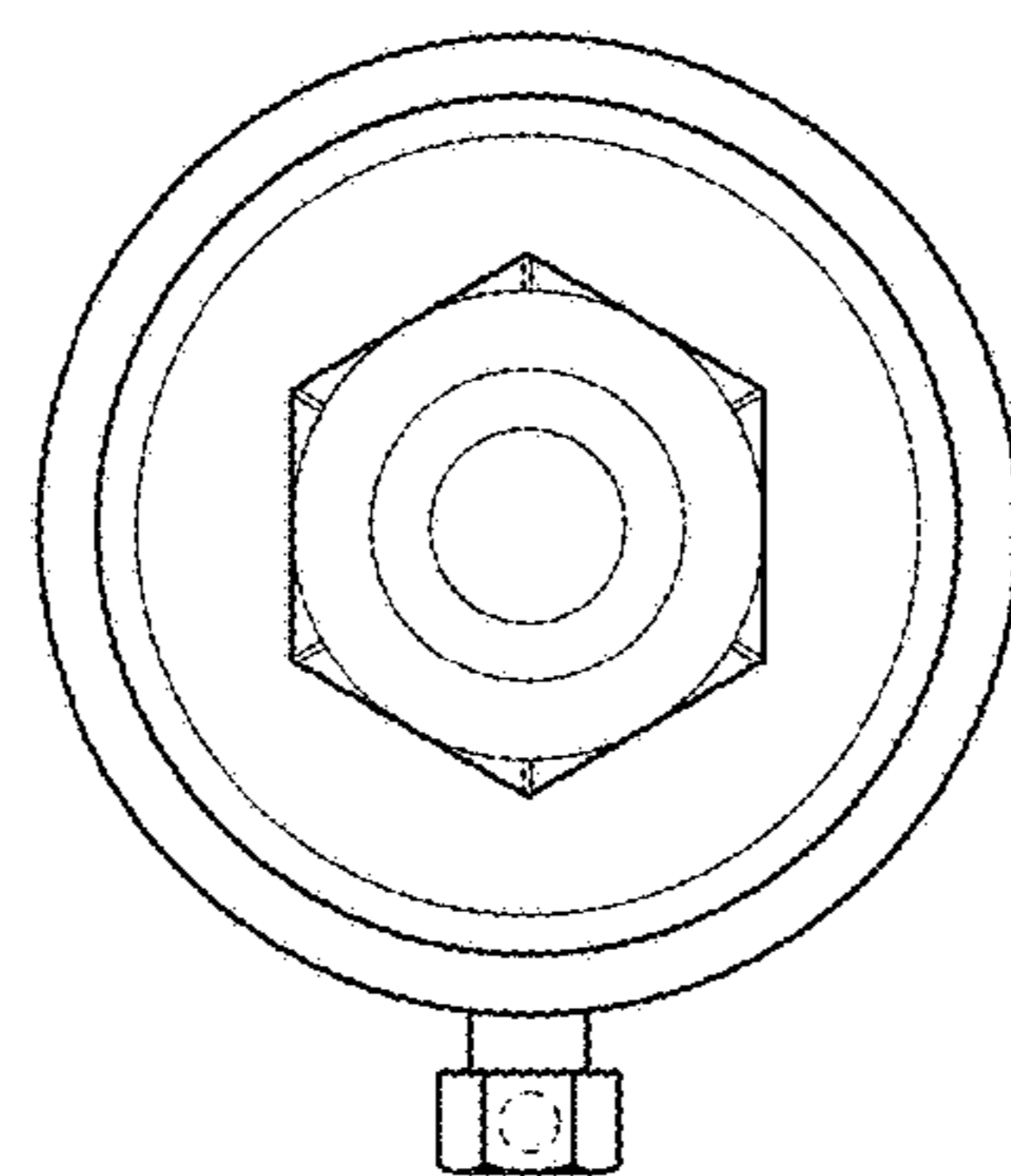


FIG. 6

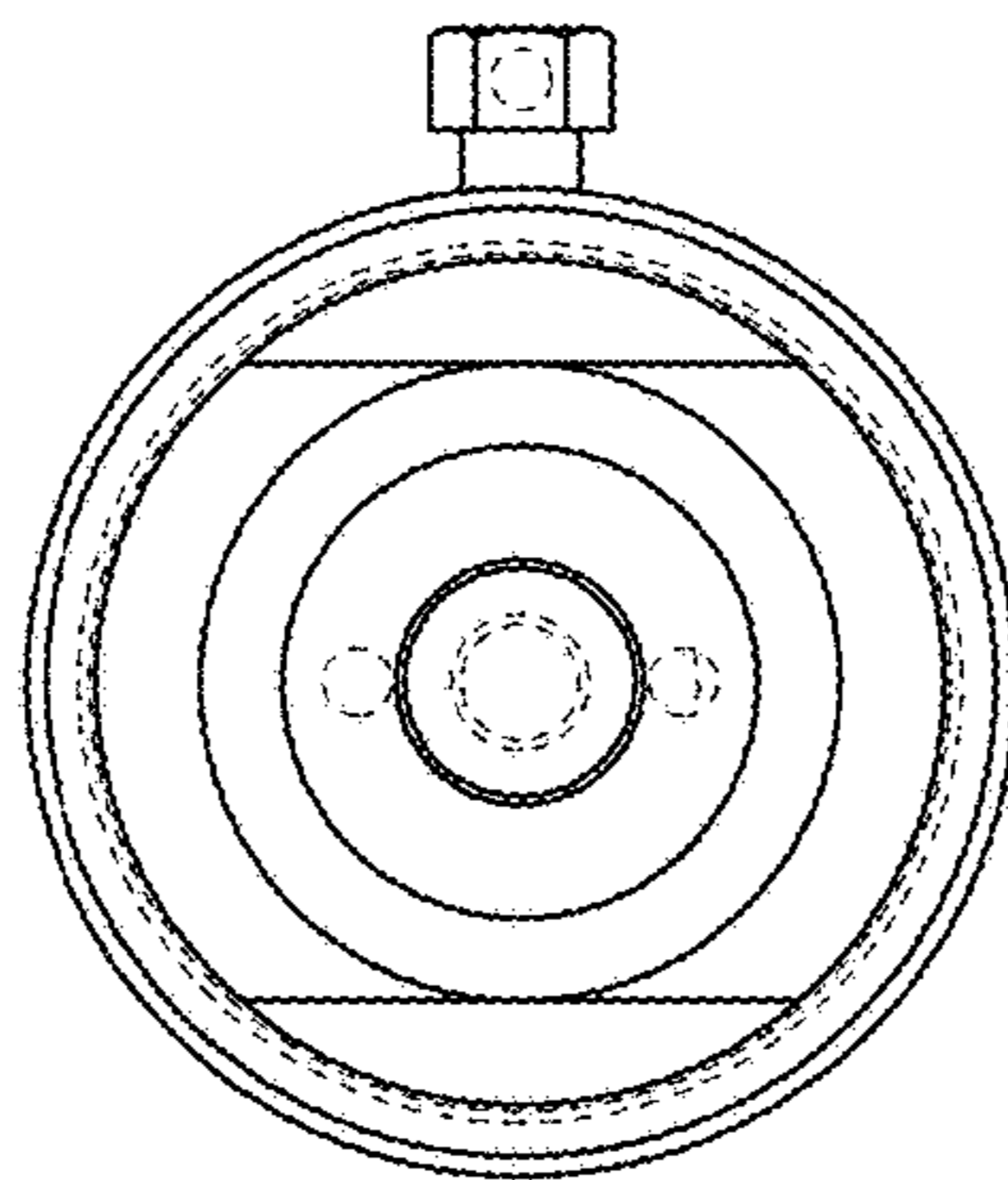


FIG. 7