



US00D858699S

(12) **United States Design Patent** (10) **Patent No.:** **US D858,699 S**  
**Arino et al.** (45) **Date of Patent:** **\*\* Sep. 3, 2019**

(54) **SPRAY GUN**

(71) Applicant: **ANEST IWATA Corporation**,  
Yokohama-shi, Kanagawa (JP)

(72) Inventors: **Kazuki Arino**, Yokohama (JP); **Takuya Matsumoto**, Yokohama (JP); **Shozo Kosaka**, Yokohama (JP)

(73) Assignee: **ANEST IWATA CORPORATION**,  
Yokohama-Shi (JP)

(\*\*) Term: **15 Years**

(21) Appl. No.: **29/653,496**

(22) Filed: **Jun. 15, 2018**

(51) **LOC (12) Cl.** ..... **23-01**

(52) **U.S. Cl.**  
USPC ..... **D23/213; D23/226; D23/223**

(58) **Field of Classification Search**  
USPC ..... D23/213, 214, 215, 223, 221, 224–230;  
D21/572  
CPC .. A62C 33/04; B05B 1/00; B05B 1/14; B05B  
1/185; B05B 1/08; B05B 1/02; B05B  
1/26; B05B 12/002; B05B 1/18; B05B  
9/01

See application file for complete search history.

(56) **References Cited**

U.S. PATENT DOCUMENTS

D373,813 S *	9/1996	Guo	.....	D23/223
D373,814 S *	9/1996	Wang	.....	D23/223
D407,140 S *	3/1999	Heren	.....	D23/223
6,047,861 A *	4/2000	Vidal	.....	A61B 17/00491 222/137
6,311,871 B1 *	11/2001	Binder	.....	B05C 17/00516 222/145.6
D459,786 S *	7/2002	Sweeton	.....	D23/213
6,419,545 B1 *	7/2002	Motosko	.....	A63H 17/00 446/176

D463,509 S *	9/2002	Huang	.....	D21/572
D464,707 S *	10/2002	Wang	.....	D23/226
D470,220 S *	2/2003	Nien	.....	D23/226
D475,435 S *	6/2003	Chen	.....	D23/223
D499,167 S *	11/2004	Sweeton	.....	D23/213
D501,537 S *	2/2005	Zeng	.....	D23/226
D501,538 S *	2/2005	Zeng	.....	D23/226
D517,645 S *	3/2006	Chang	.....	D23/226
D522,088 S *	5/2006	Roman	.....	D23/223

(Continued)

*Primary Examiner* — Manpreet S Matharu

*Assistant Examiner* — Keith J Wilson

(74) *Attorney, Agent, or Firm* — Leydig Voit & Mayer

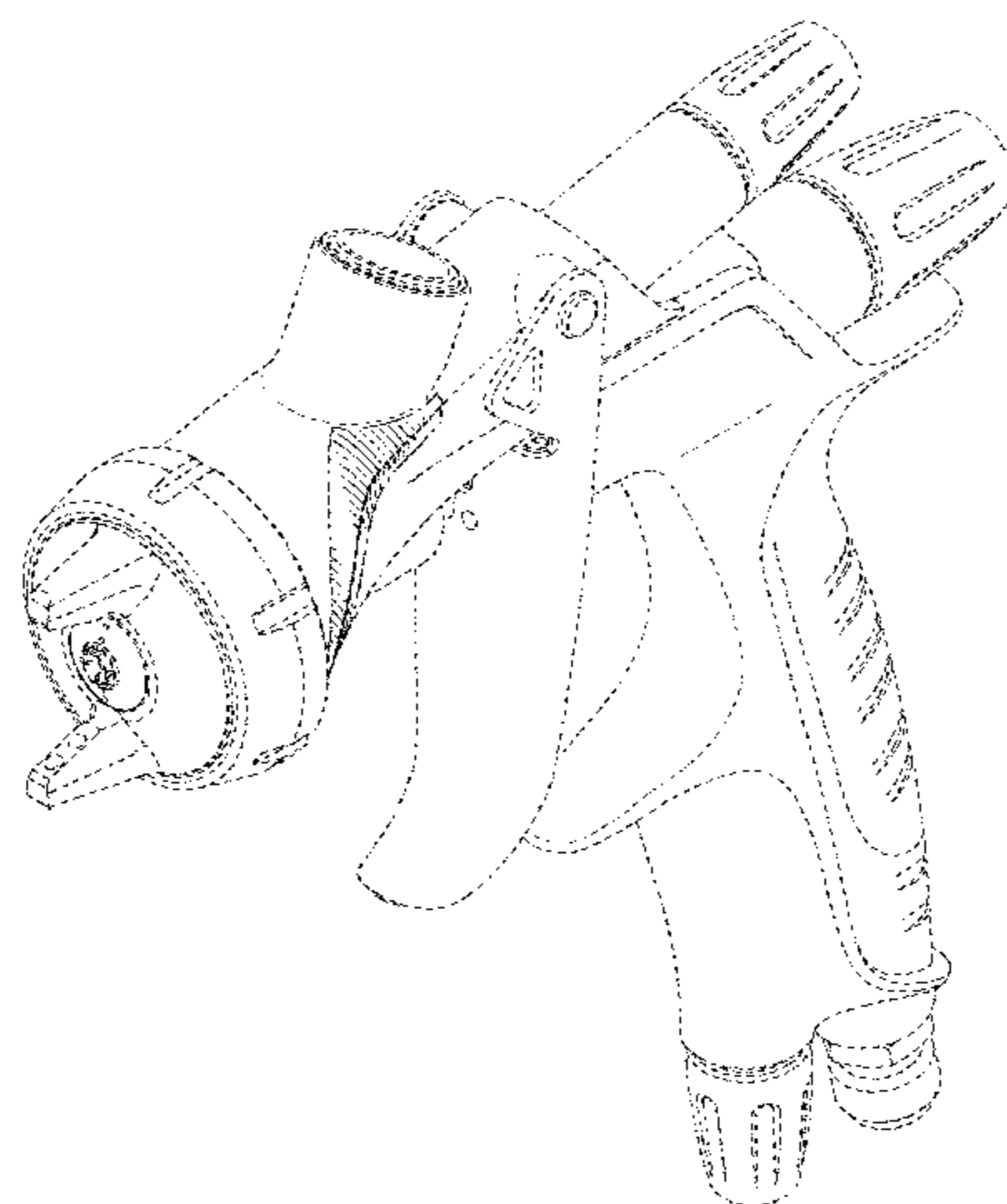
(57) **CLAIM**

The ornamental design for a spray gun, as shown and described.

**DESCRIPTION**

FIG. 1 is a front perspective view 1 of the present invention.  
 FIG. 2 is a rear perspective view 1 thereof.  
 FIG. 3 is a front perspective view 2 thereof.  
 FIG. 4 is a rear perspective view 2 thereof.  
 FIG. 5 is a front view thereof.  
 FIG. 6 is a rear view thereof.  
 FIG. 7 is a top plan view thereof.  
 FIG. 8 is a bottom view thereof.  
 FIG. 9 is a right side view thereof.  
 FIG. 10 is a left side view thereof.  
 FIG. 11 is an enlarged cross-sectional view taken along the line 11-11 in FIG. 5 of a portion of FIG. 10 defined by the lines 1101-1101; and,  
 FIG. 12 is an enlarged view showing portion of FIG. 2 defined by the lines 1201-1201 and 1202-1202.  
 The features shown in broken lines depict environmental subject matter only and form no part of the claimed design.  
 The alternate long and short dash lines are merely the boundary lines between the claimed parts and the non-claimed parts.

**1 Claim, 12 Drawing Sheets**



(56)

## References Cited

## U.S. PATENT DOCUMENTS

7,077,339 B2 \* 7/2006 Leach ..... A61B 17/00491  
222/137  
D532,077 S \* 11/2006 Chen ..... D23/213  
D578,603 S \* 10/2008 Khaitov ..... D23/213  
D588,231 S \* 3/2009 Pellin ..... D23/213  
8,136,698 B1 \* 3/2012 Beaulieu ..... B05B 7/2445  
222/105  
D666,692 S \* 9/2012 Beaulieu ..... D23/223  
D674,849 S \* 1/2013 Wilson ..... D21/572  
D726,872 S \* 4/2015 Thurgood ..... D23/223  
D749,696 S \* 2/2016 Thurgood ..... D23/223  
D792,944 S \* 7/2017 Cheng ..... D23/224  
D792,945 S \* 7/2017 Cheng ..... D23/224  
D799,003 S \* 10/2017 Wojan ..... D23/223  
D799,005 S \* 10/2017 Wojan ..... D23/223  
D800,255 S \* 10/2017 Chen ..... D23/226  
D800,868 S \* 10/2017 Crenshaw ..... D23/226  
D809,096 S \* 1/2018 Wang ..... D23/223  
D812,717 S \* 3/2018 Crenshaw ..... D23/226  
D820,952 S \* 6/2018 Chen ..... D23/223  
D820,953 S \* 6/2018 Chen ..... D23/223  
D821,544 S \* 6/2018 Urry ..... D23/223  
D821,545 S \* 6/2018 Gehrung ..... D23/226  
D824,486 S \* 7/2018 Urry ..... D23/223  
D824,492 S \* 7/2018 Chen ..... D23/223  
D830,506 S \* 10/2018 Gehrung ..... D23/223  
D831,792 S \* 10/2018 Gehrung ..... D23/223  
D838,340 S \* 1/2019 Svendsen ..... D23/223  
D838,809 S \* 1/2019 Svendsen ..... D23/223  
2015/0017327 A1 \* 1/2015 Myers ..... B05B 7/1209  
427/207.1  
2017/0231212 A1 \* 8/2017 Crenshaw ..... A01M 7/0046  
239/11

\* cited by examiner

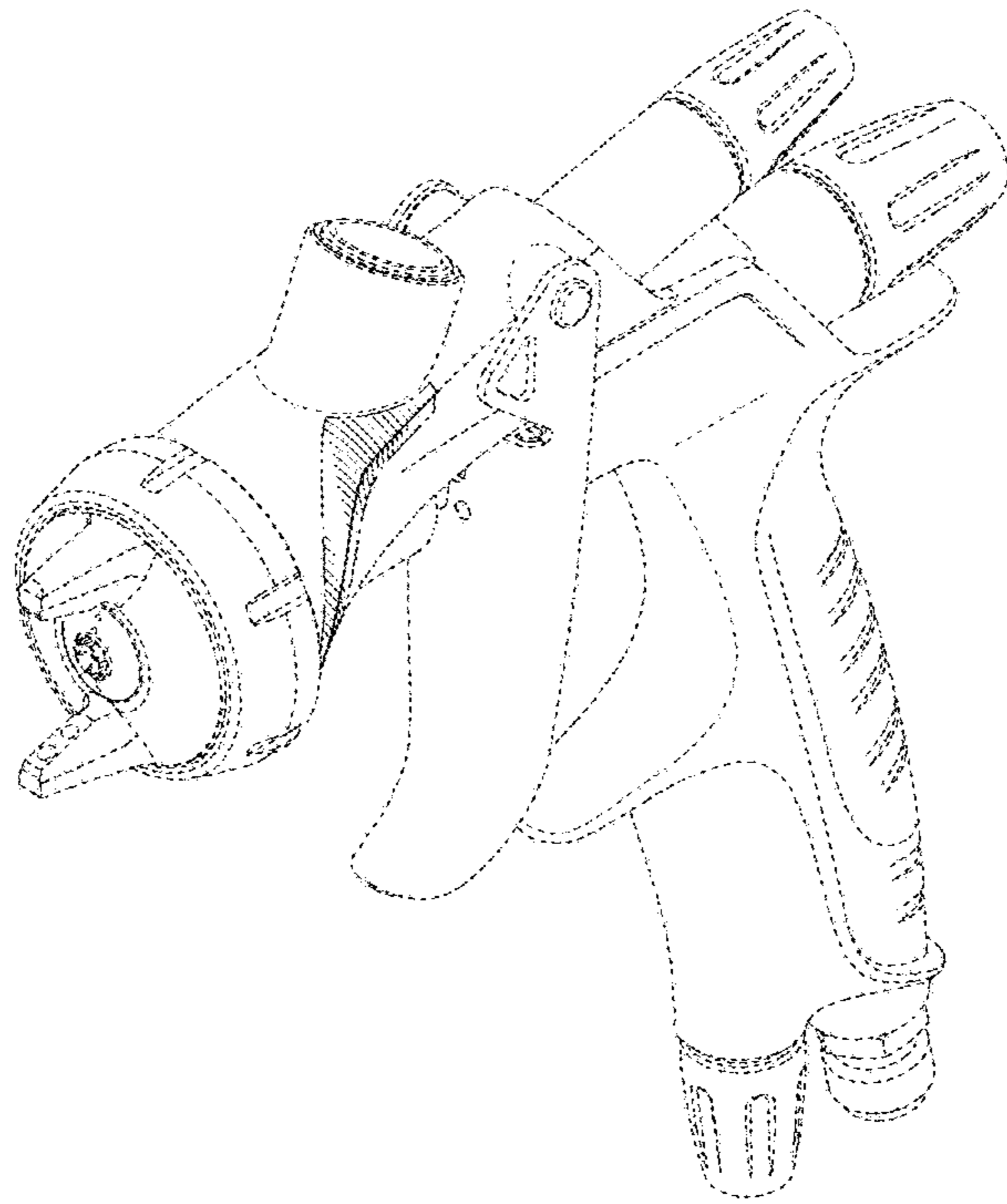


FIG. 1

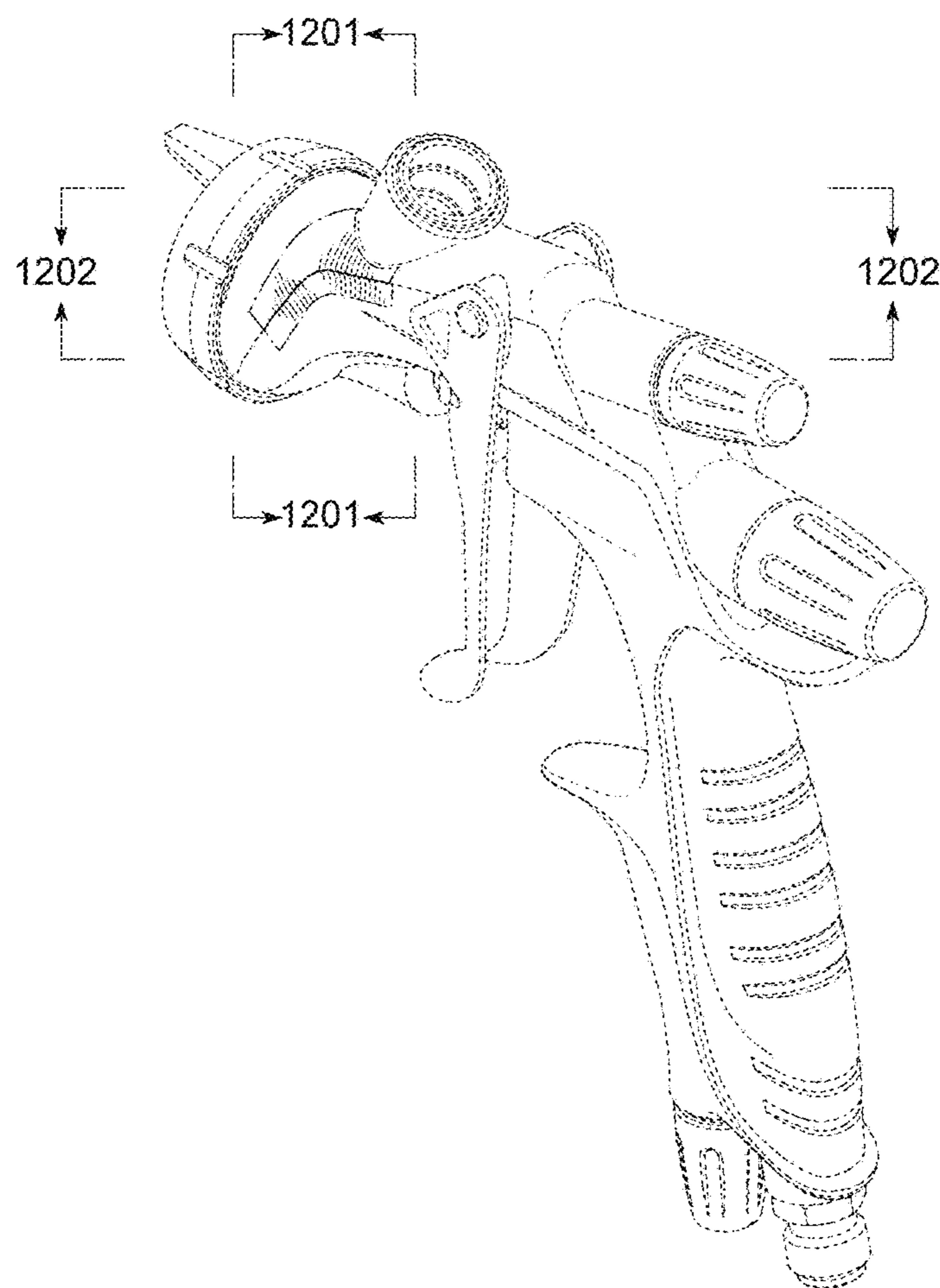


FIG. 2

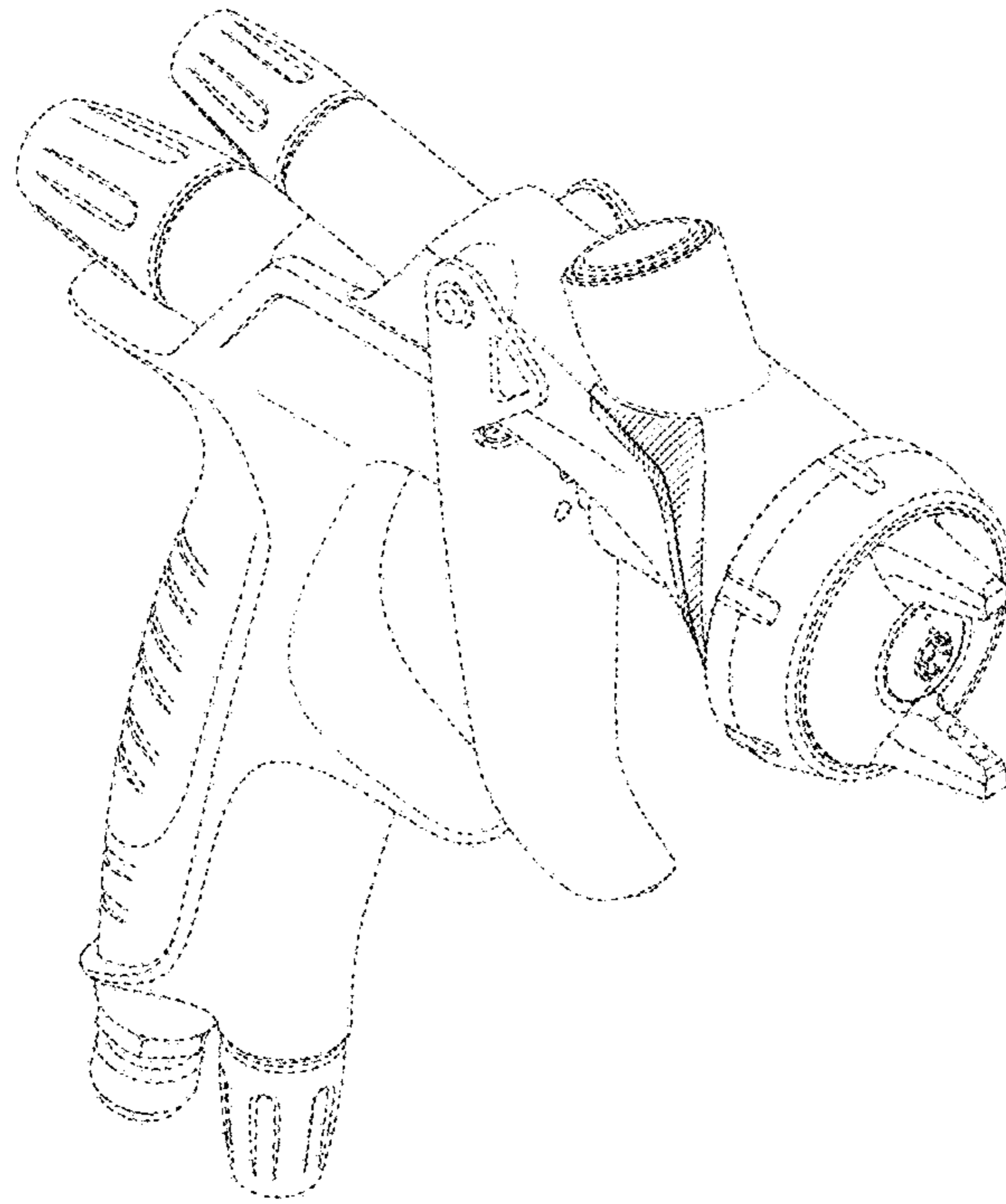


FIG. 3

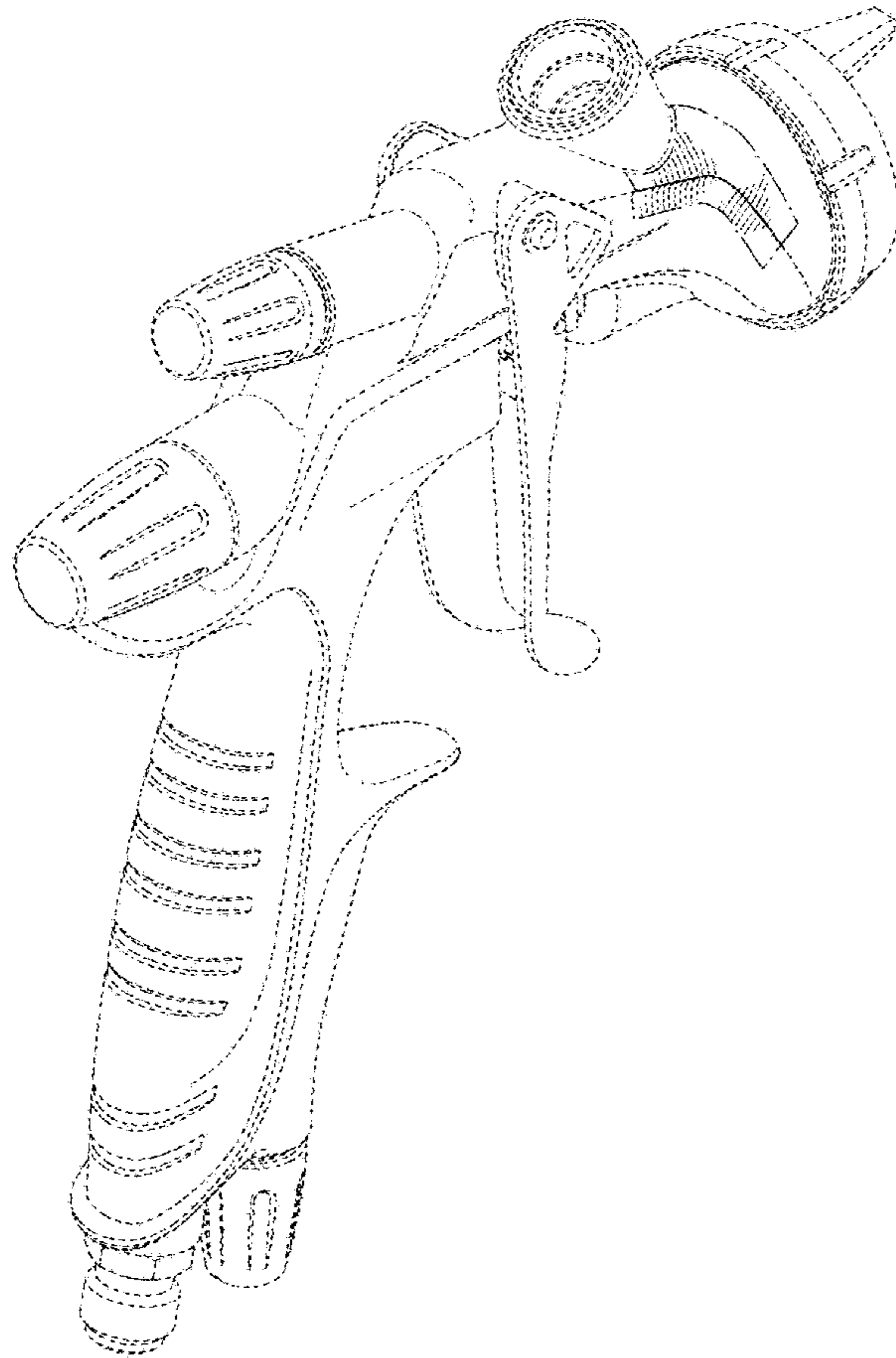


FIG. 4

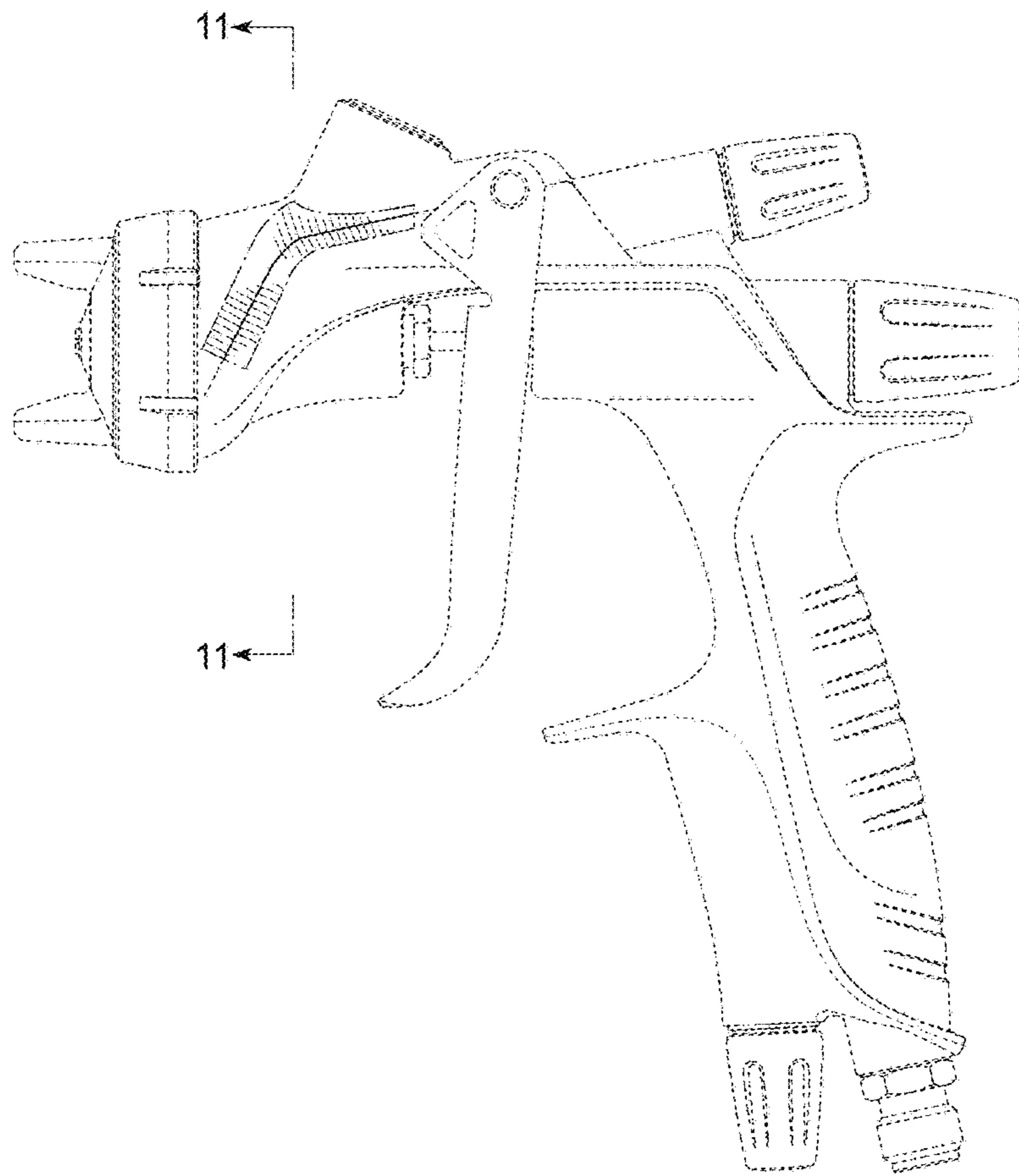


FIG. 5

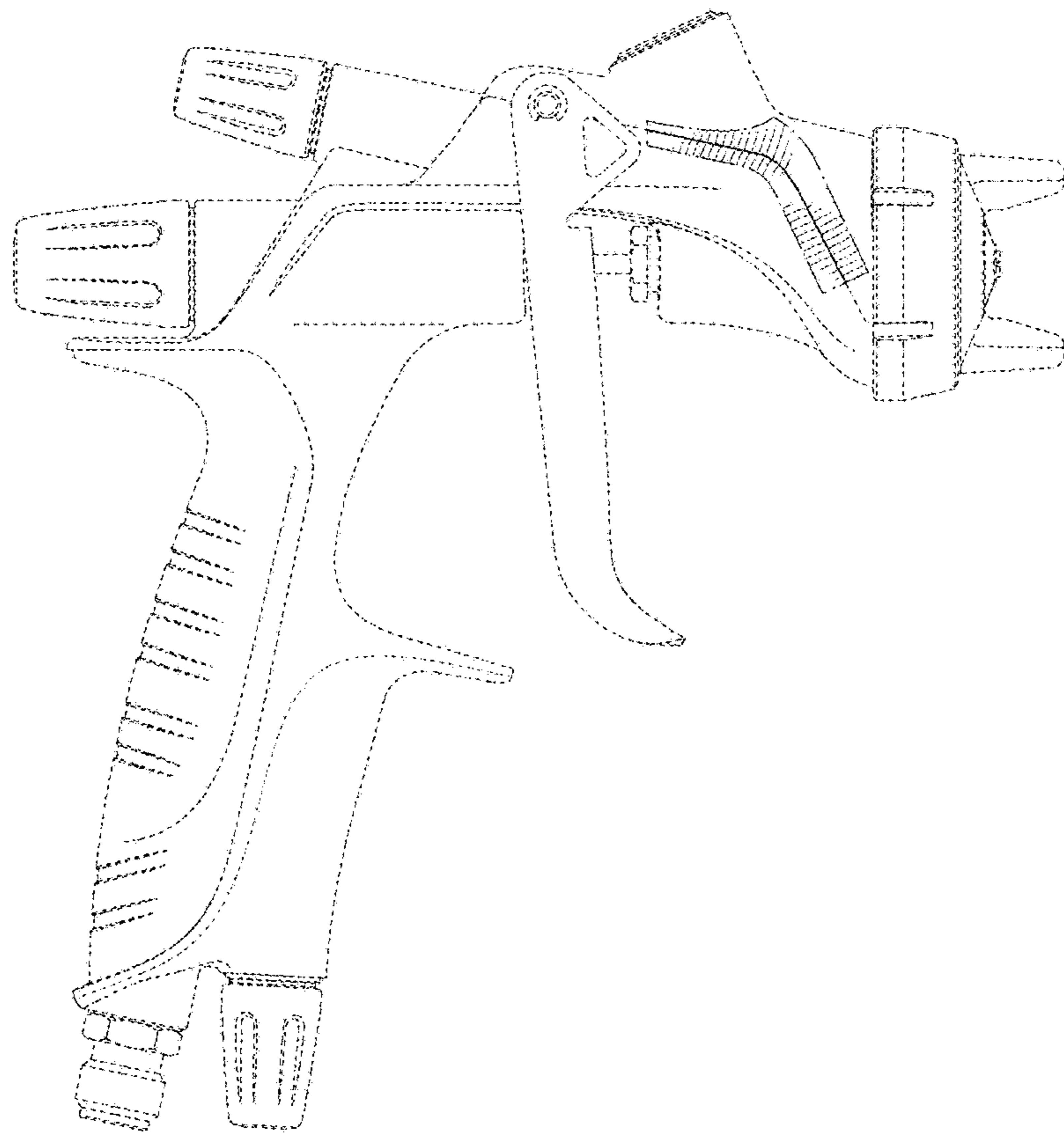


FIG. 6



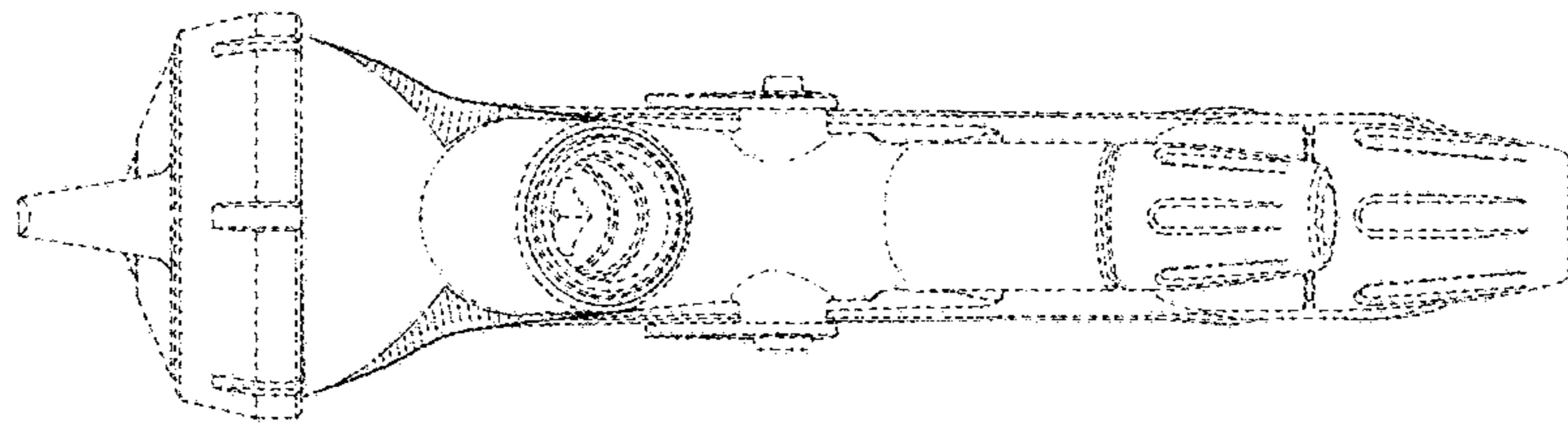


FIG. 7

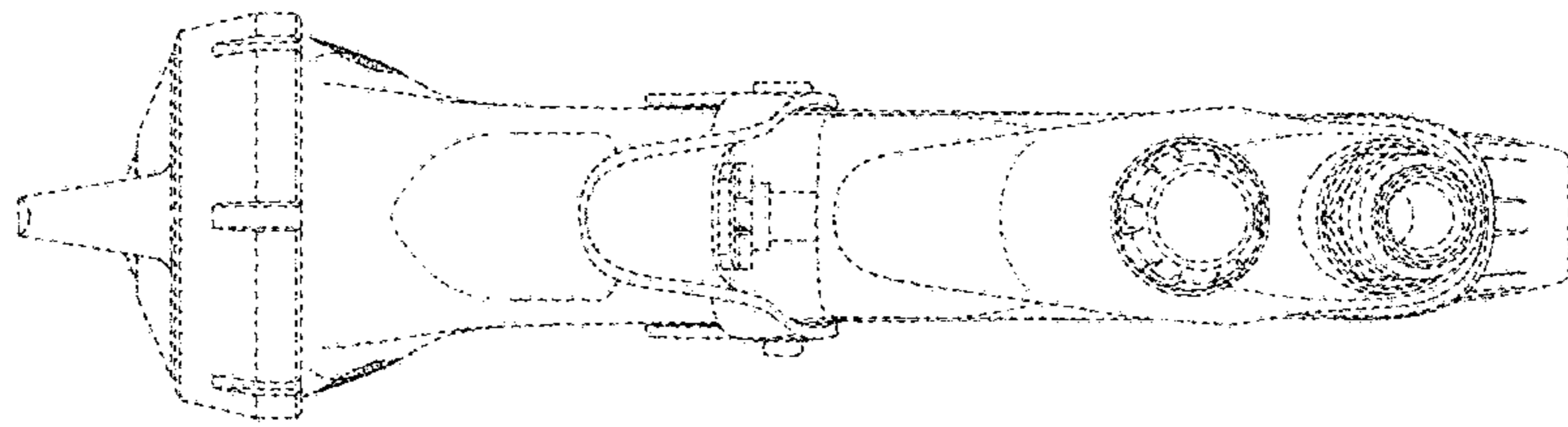


FIG. 8

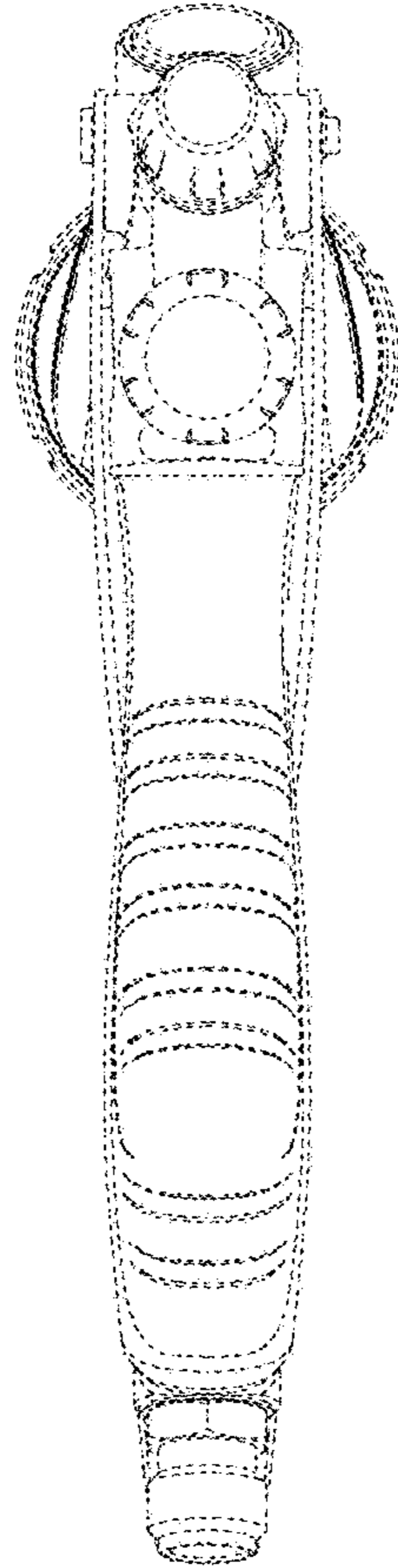


FIG. 9

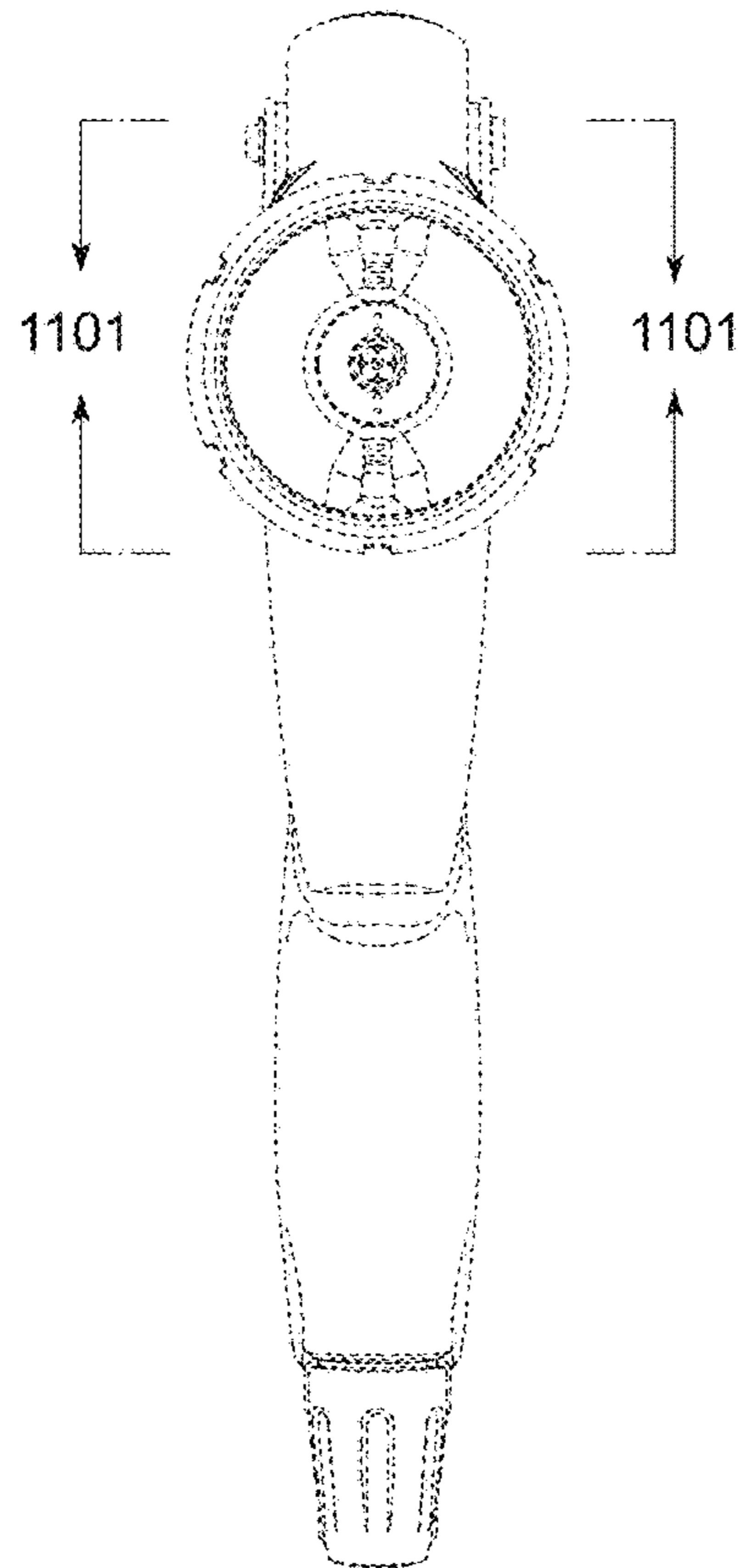


FIG. 10

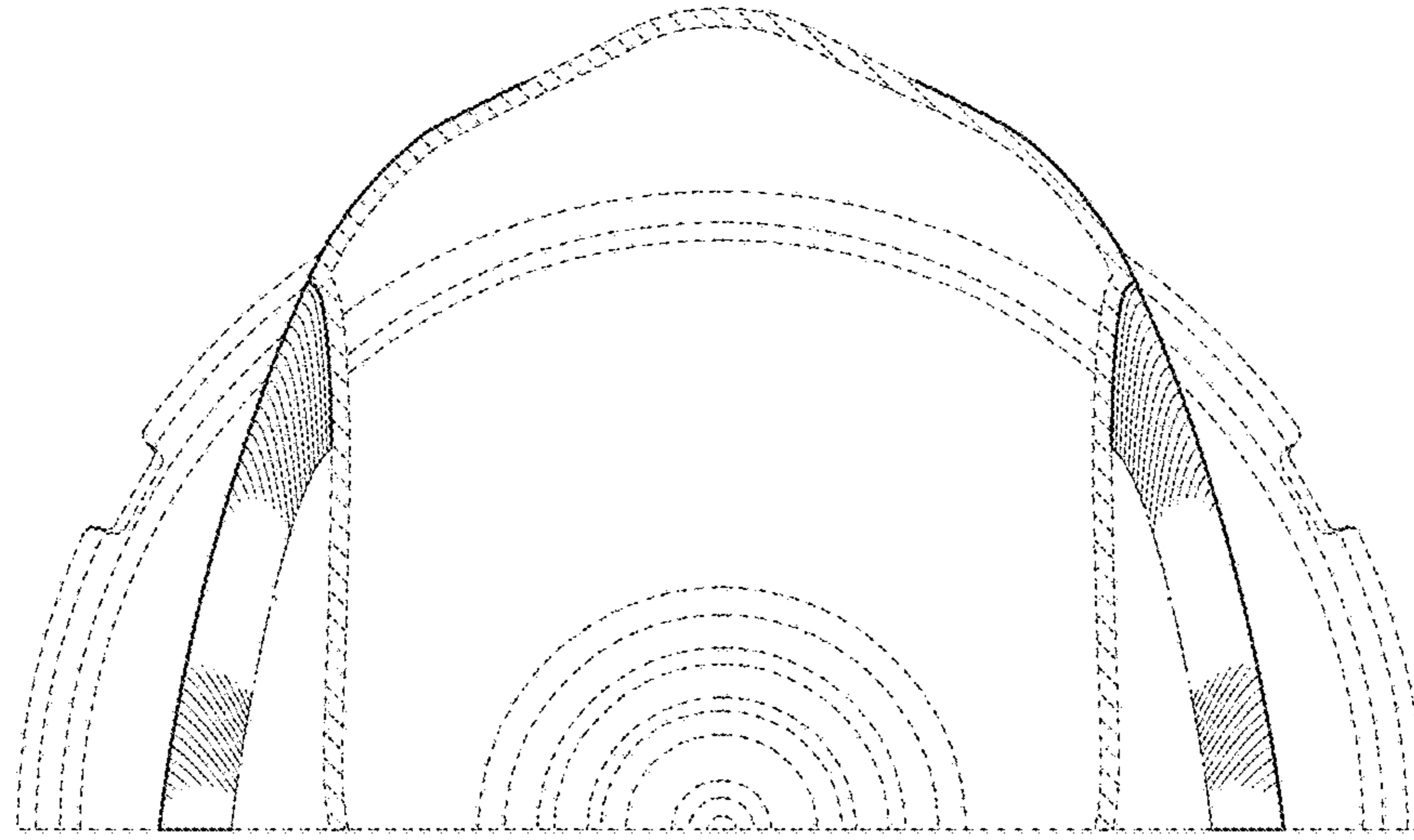


FIG. 11

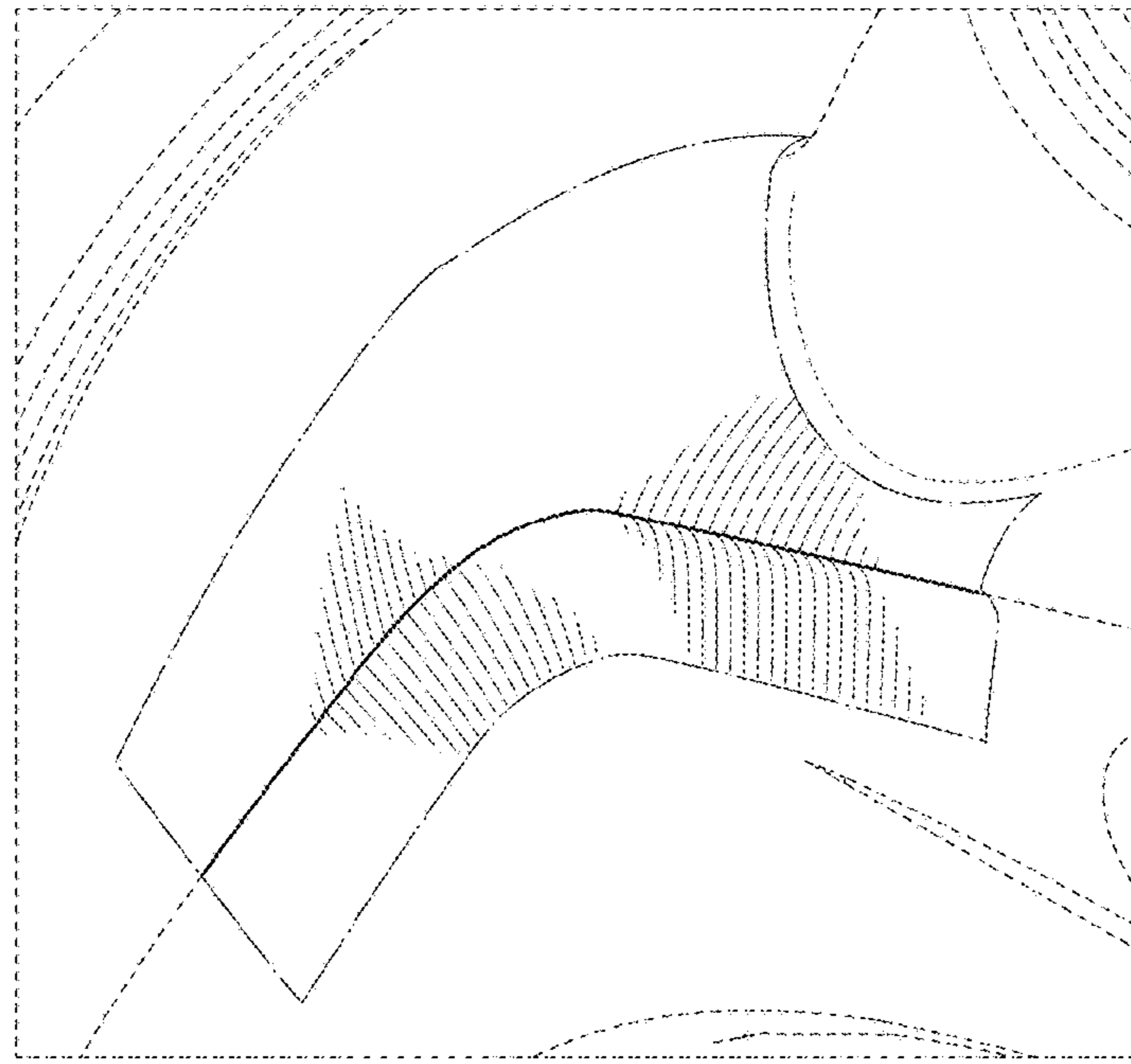


FIG. 12