



US00D858698S

(12) **United States Design Patent** (10) **Patent No.:** **US D858,698 S**  
**Arino et al.** (45) **Date of Patent:** **\*\* Sep. 3, 2019**

(54) **SPRAY GUN**  
(71) Applicant: **ANEST IWATA Corporation**,  
Yokohama-shi, Kanagawa (JP)  
(72) Inventors: **Kazuki Arino**, Yokohama (JP); **Takuya**  
**Matsumoto**, Yokohama (JP); **Shozo**  
**Kosaka**, Yokohama (JP)  
(73) Assignee: **ANEST IWATA CORPORATION**,  
Yokohama-Shi (JP)  
(\*\*) Term: **15 Years**

6,311,871 B1 \* 11/2001 Binder ..... B05C 17/00516  
222/145.6  
D459,786 S \* 7/2002 Sweeton ..... D23/213  
6,419,545 B1 \* 7/2002 Motosko ..... A63H 17/00  
446/176  
D463,509 S \* 9/2002 Huang ..... D21/572  
D464,707 S \* 10/2002 Wang ..... D23/226  
D470,220 S \* 2/2003 Nien ..... D23/226  
D475,435 S \* 6/2003 Chen ..... D23/223  
D499,167 S \* 11/2004 Sweeton ..... D23/213  
D501,537 S \* 2/2005 Zeng ..... D23/226  
D501,538 S \* 2/2005 Zeng ..... D23/226  
D517,645 S \* 3/2006 Chang ..... D23/226  
D522,088 S \* 5/2006 Roman ..... D23/223  
7,077,339 B2 \* 7/2006 Leach ..... A61B 17/00491  
222/137

(21) Appl. No.: **29/653,495**

(Continued)

(22) Filed: **Jun. 15, 2018**

FOREIGN PATENT DOCUMENTS

(30) **Foreign Application Priority Data**

JP 1380584 S 1/2010

Dec. 22, 2017 (JP) ..... 2017-028727

*Primary Examiner* — Manpreet S Matharu

(51) **LOC (12) Cl.** ..... **23-01**

*Assistant Examiner* — Keith J Wilson

(52) **U.S. Cl.**

(74) *Attorney, Agent, or Firm* — Leydig Voit & Mayer

USPC ..... **D23/213**; D23/226; D23/223

(58) **Field of Classification Search**

(57) **CLAIM**

USPC ..... D23/213, 214, 215, 223, 221, 224–230;  
D21/572

The ornamental design for a spray gun, as shown and described.

CPC ..... A62C 31/28; A62C 33/04; B05B 1/00;  
B05B 1/14; B05B 1/185; B05B 1/08;  
B05B 1/02; B05B 1/26; B05B 12/002;  
B05B 1/18; B05B 9/01

**DESCRIPTION**

See application file for complete search history.

FIG. 1 is a front perspective view of the present invention.  
FIG. 2 is a rear perspective view thereof.  
FIG. 3 is a front view thereof.  
FIG. 4 is a rear view thereof.  
FIG. 5 is a top plan view thereof.  
FIG. 6 is a bottom view thereof.  
FIG. 7 is a right side view thereof; and,  
FIG. 8 is a left side view thereof.

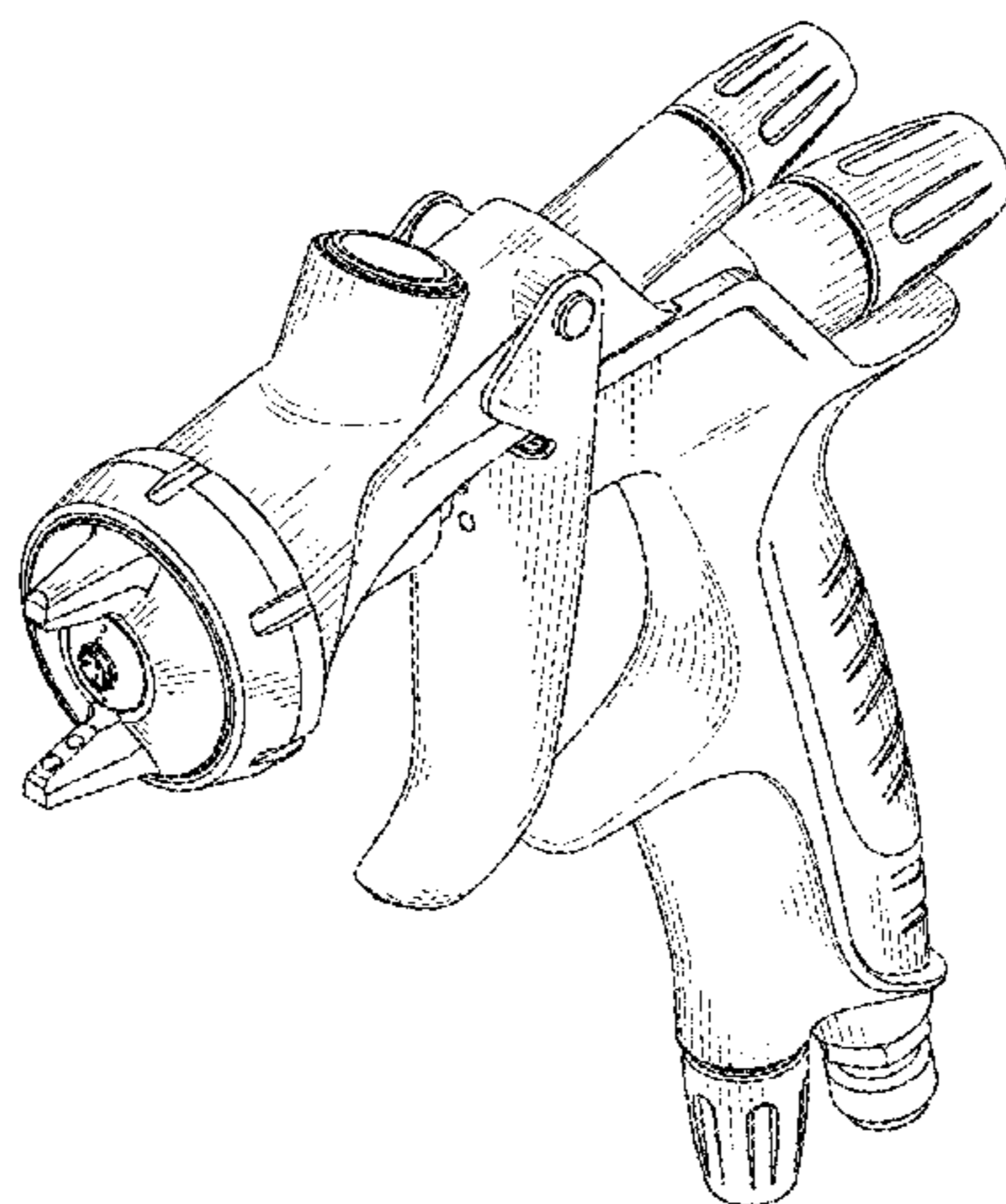
(56) **References Cited**

U.S. PATENT DOCUMENTS

The features shown in broken lines depict environmental subject matter only and form no part of the claimed design.

D373,813 S \* 9/1996 Guo ..... D23/223  
D373,814 S \* 9/1996 Wang ..... D23/223  
D407,140 S \* 3/1999 Heren ..... D23/223  
6,047,861 A \* 4/2000 Vidal ..... A61B 17/00491  
222/137

**1 Claim, 8 Drawing Sheets**



(56)

References Cited

U.S. PATENT DOCUMENTS

D532,077	S	*	11/2006	Chen	.....	D23/213
D578,603	S	*	10/2008	Khaitov	.....	D23/213
D588,231	S	*	3/2009	Pellin	.....	D23/213
8,136,698	B1	*	3/2012	Beaulieu	.....	B05B 7/2445 222/105
D666,692	S	*	9/2012	Beaulieu	.....	D23/223
D674,849	S	*	1/2013	Wilson	.....	D21/572
D726,872	S	*	4/2015	Thurgood	.....	D23/223
D749,696	S	*	2/2016	Thurgood	.....	D23/223
D792,944	S	*	7/2017	Cheng	.....	D23/224
D792,945	S	*	7/2017	Cheng	.....	D23/224
D799,003	S	*	10/2017	Wojan	.....	D23/223
D799,005	S	*	10/2017	Wojan	.....	D23/223
D800,255	S	*	10/2017	Chen	.....	D23/226
D800,868	S	*	10/2017	Crenshaw	.....	D23/226
D809,096	S	*	1/2018	Wang	.....	D23/223
D812,717	S	*	3/2018	Crenshaw	.....	D23/226
D820,952	S	*	6/2018	Chen	.....	D23/223
D820,953	S	*	6/2018	Chen	.....	D23/223
D821,544	S	*	6/2018	Urry	.....	D23/223
D821,545	S	*	6/2018	Gehrung	.....	D23/226
D824,486	S	*	7/2018	Urry	.....	D23/223
D824,492	S	*	7/2018	Chen	.....	D23/223
D830,506	S	*	10/2018	Gehrung	.....	D23/223
D831,792	S	*	10/2018	Gehrung	.....	D23/223
D838,340	S	*	1/2019	Svendsen	.....	D23/223
D838,809	S	*	1/2019	Svendsen	.....	D23/223
2015/0017327	A1	*	1/2015	Myers	.....	B05B 7/1209 427/207.1
2017/0231212	A1	*	8/2017	Crenshaw	.....	A01M 7/0046 239/11

\* cited by examiner

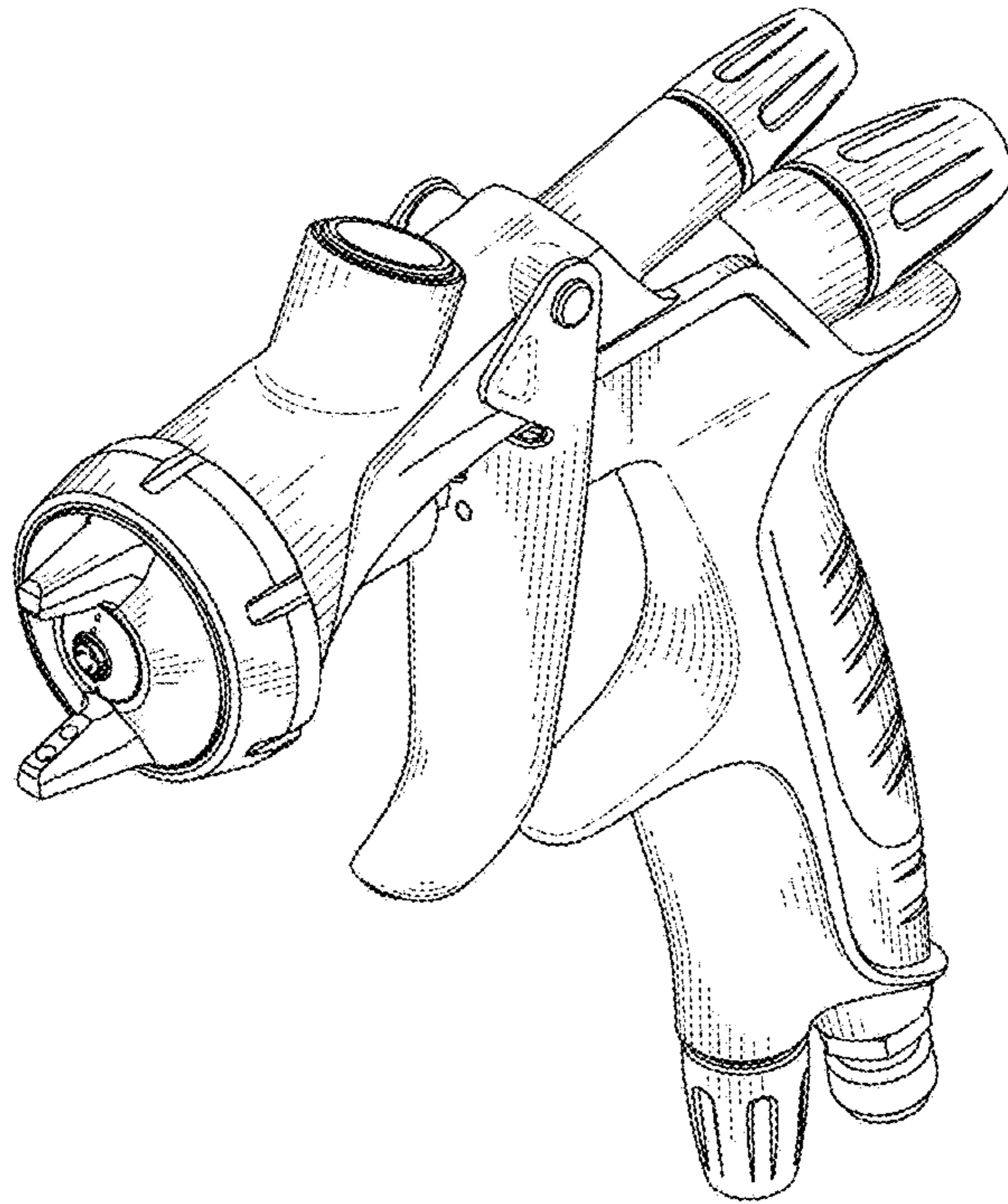


FIG. 1

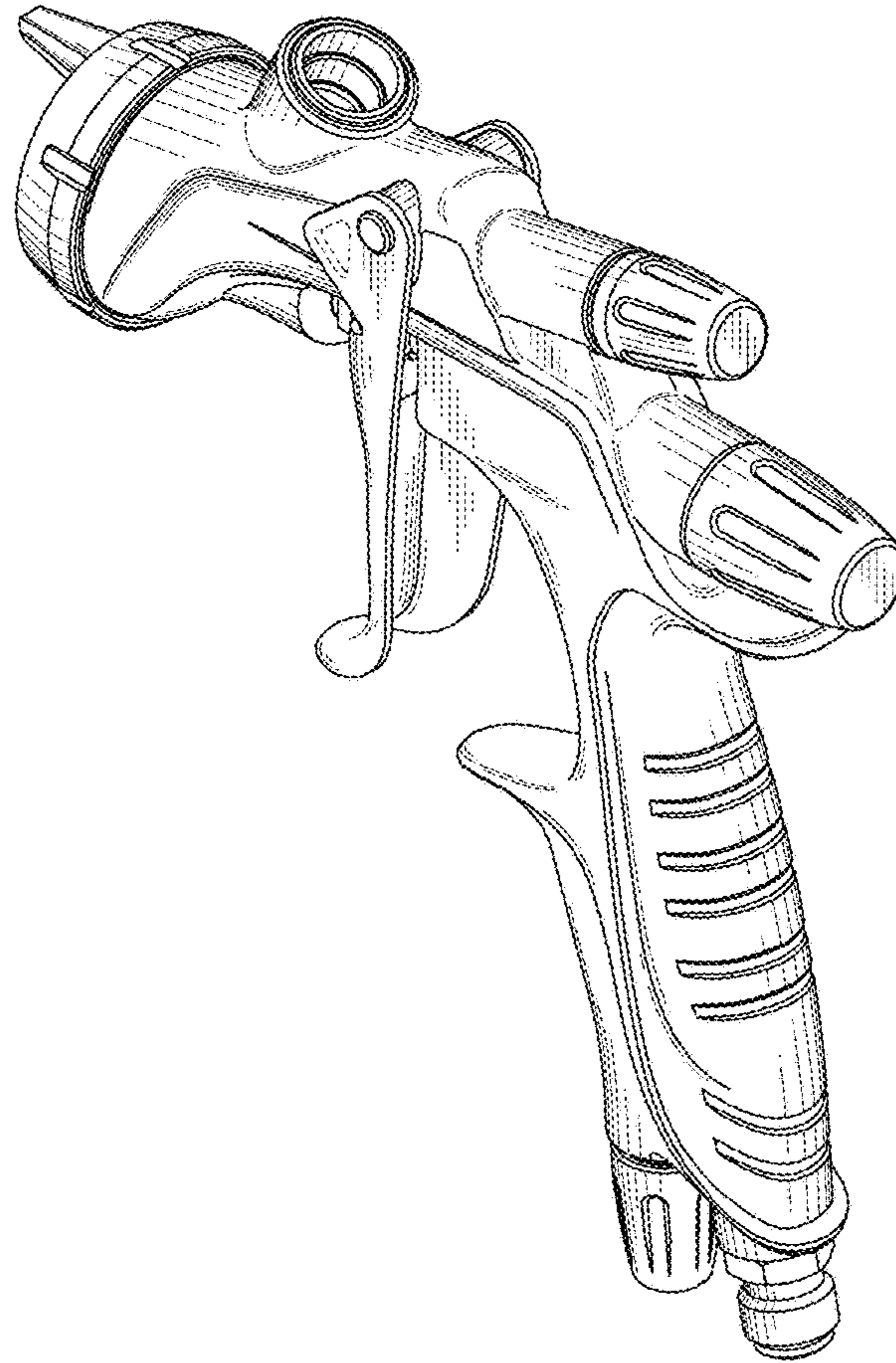


FIG. 2

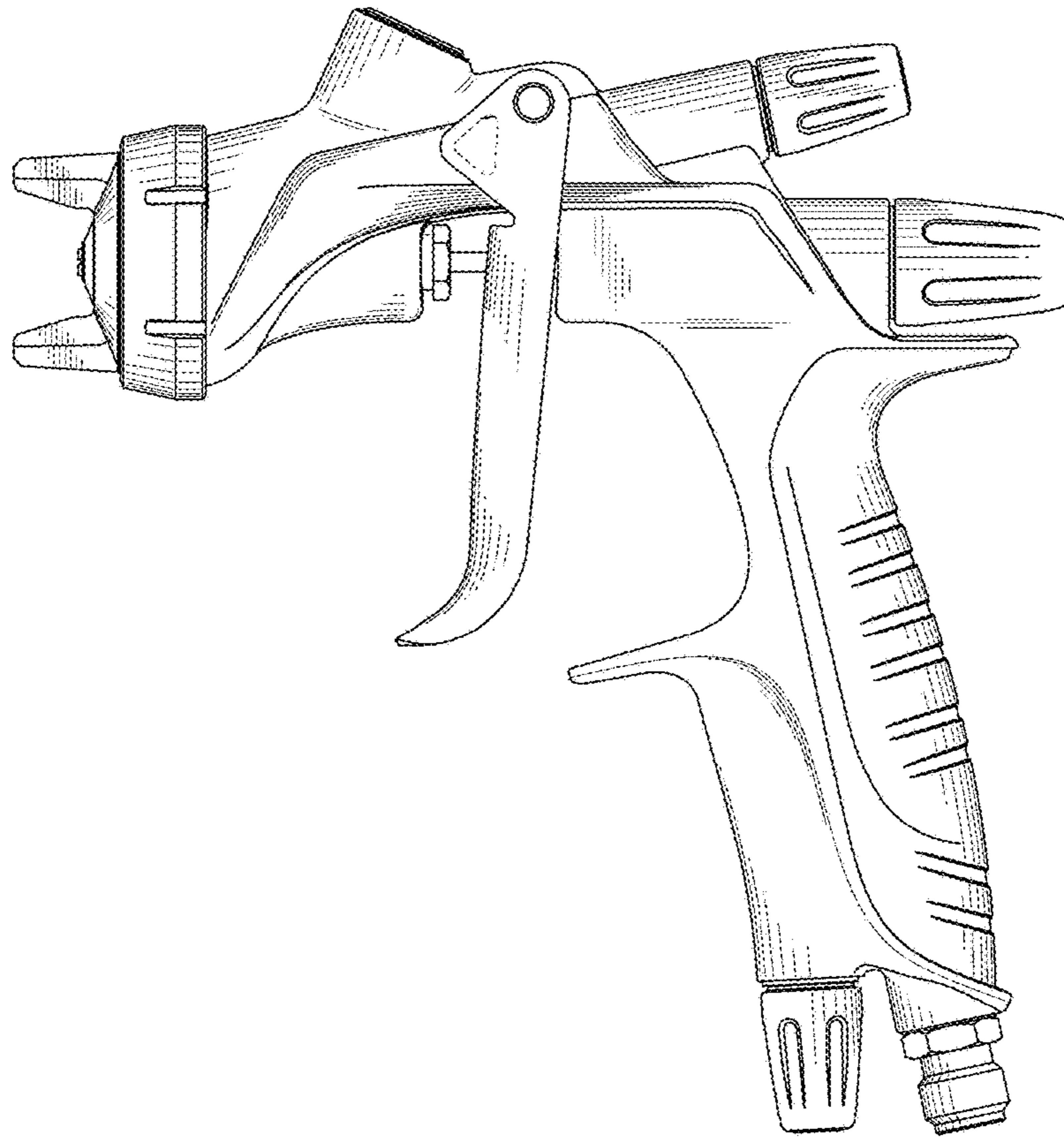


FIG. 3

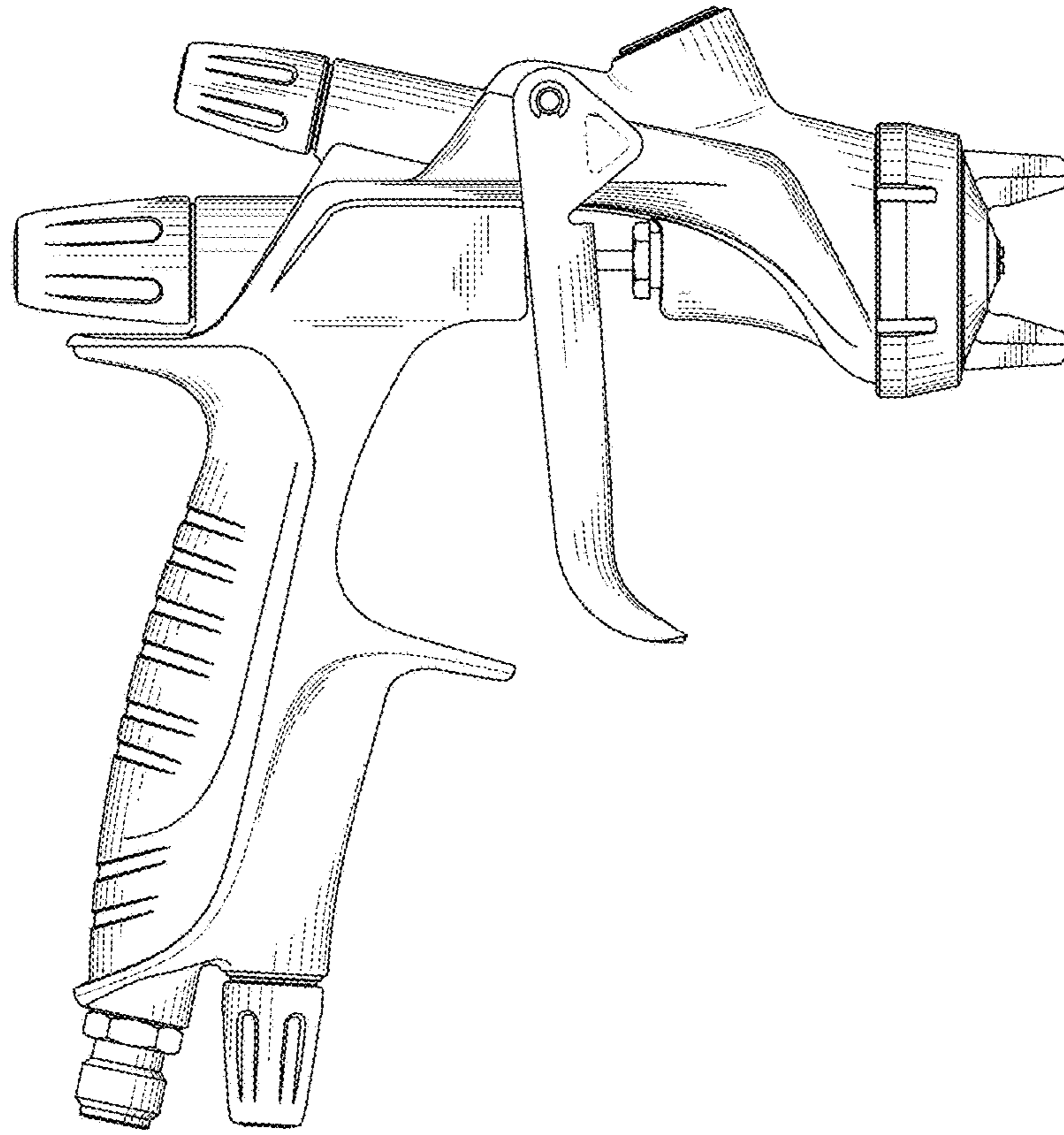


FIG. 4

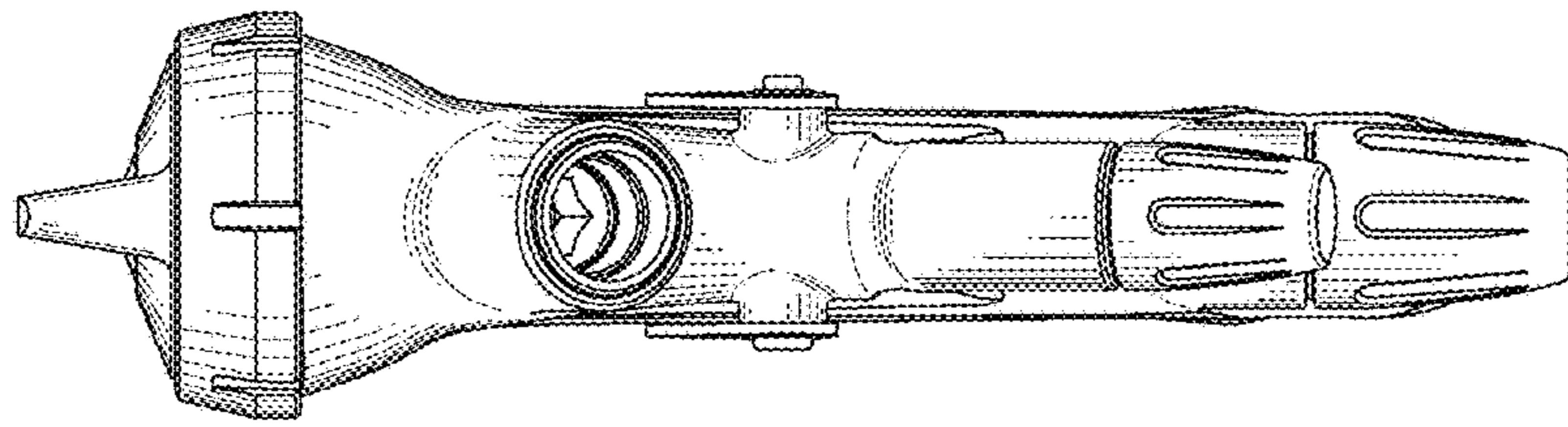


FIG. 5

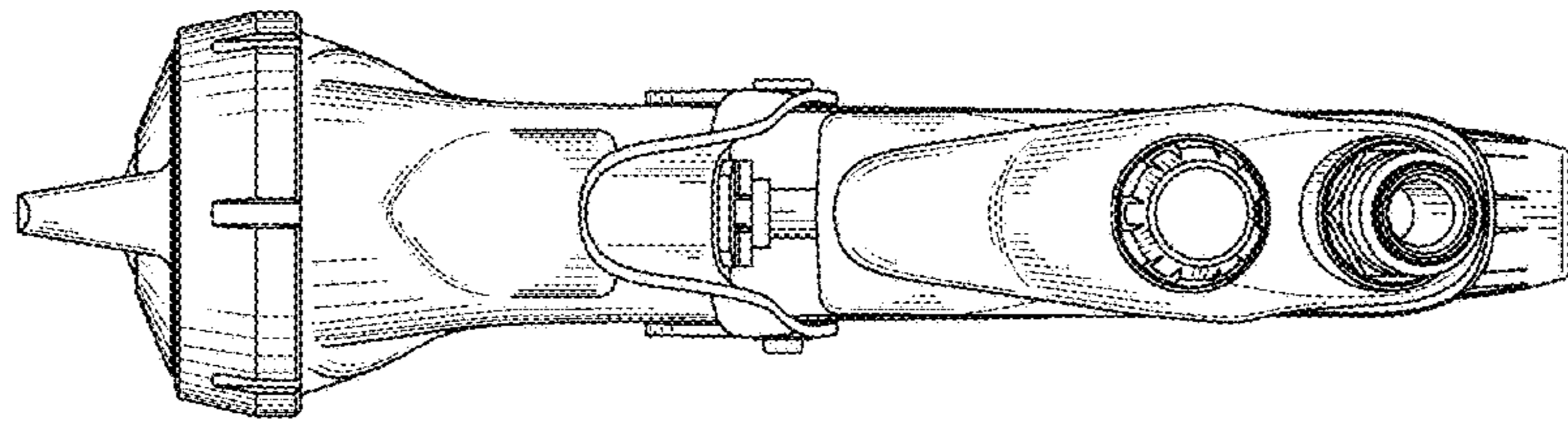


FIG. 6



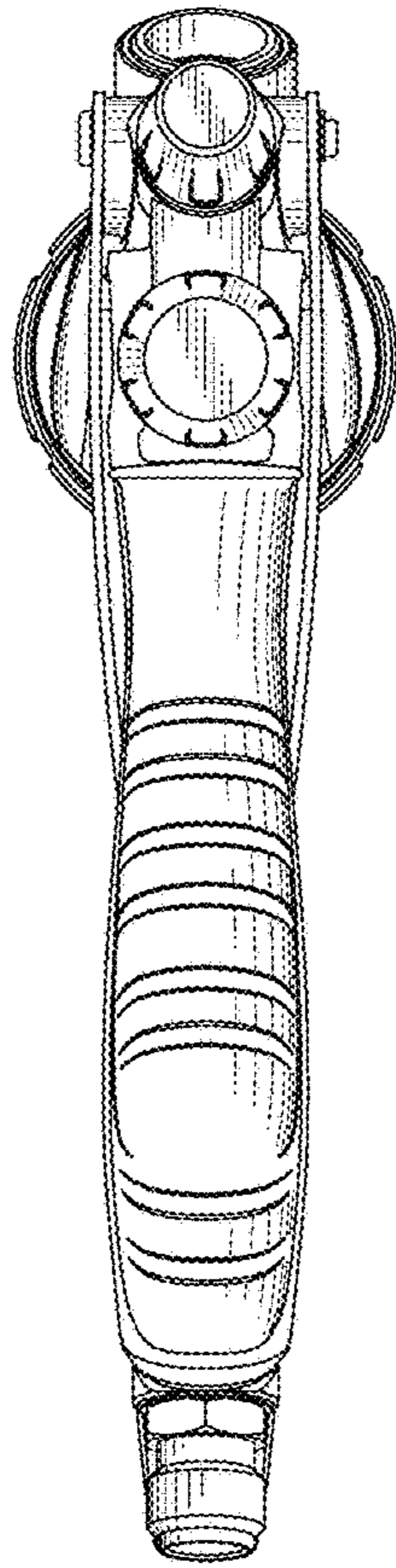


FIG. 7

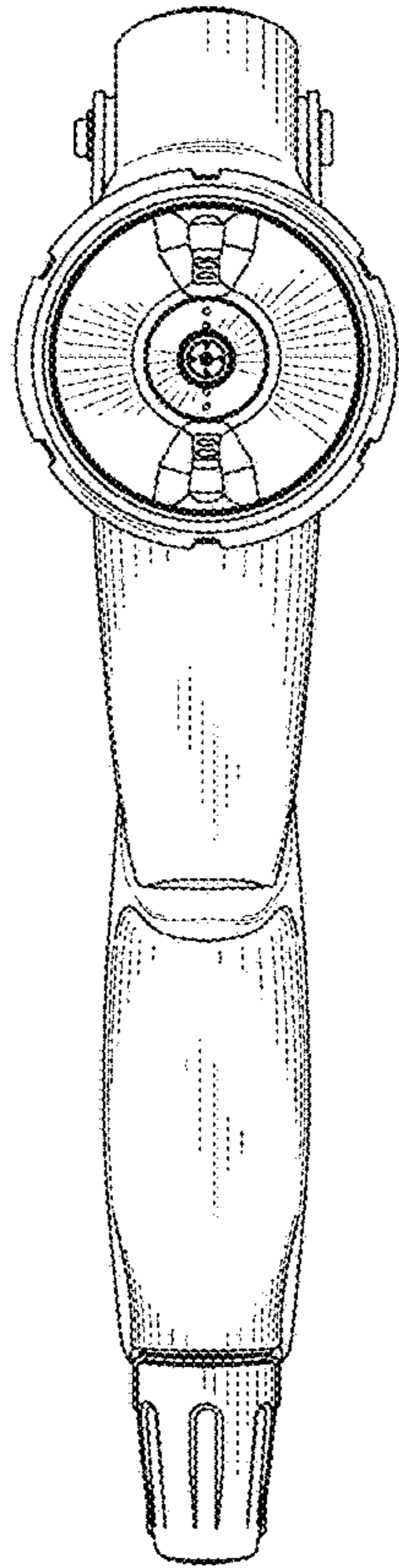


FIG. 8