



US00D858697S

(12) **United States Design Patent**
Crenshaw

(10) **Patent No.:** **US D858,697 S**

(45) **Date of Patent:** **** Sep. 3, 2019**

(54) **DUAL NOZZLE SPRAYER**

(71) Applicant: **Kenneth D. Crenshaw**, Millington, TN (US)

(72) Inventor: **Kenneth D. Crenshaw**, Millington, TN (US)

(**) Term: **15 Years**

(21) Appl. No.: **29/653,105**

(22) Filed: **Jun. 12, 2018**

(51) **LOC (12) Cl.** **23-01**

(52) **U.S. Cl.**

USPC **D23/213; D23/226; D23/223**

(58) **Field of Classification Search**

USPC D23/213, 214, 215, 223, 221, 224–230; D21/572

CPC A62C 33/04; A62C 31/28; B05B 1/00; B05B 1/14; B05B 1/185; B05B 1/08; B05B 1/02; B05B 1/26; B05B 12/002; B05B 1/18; B05B 9/01

See application file for complete search history.

(56) **References Cited**

U.S. PATENT DOCUMENTS

D373,813 S *	9/1996	Guo	D23/223
D373,814 S *	9/1996	Wang	D23/223
D407,140 S *	3/1999	Heren	D23/223
6,047,861 A *	4/2000	Vidal	A61B 17/00491
				222/137
6,311,871 B1 *	11/2001	Binder	B05C 17/00516
				222/145.6
D459,786 S *	7/2002	Sweeton	D23/213
6,419,545 B1 *	7/2002	Motosko	A63H 17/00
				446/176
D463,509 S *	9/2002	Huang	D21/572
D464,707 S *	10/2002	Wang	D23/226
D470,220 S *	2/2003	Nien	D23/226
D475,435 S *	6/2003	Chen	D23/223
D499,167 S *	11/2004	Sweeton	D23/213

D501,537 S *	2/2005	Zeng	D23/226
D501,538 S *	2/2005	Zeng	D23/226
D517,645 S *	3/2006	Chang	D23/226
D522,088 S *	5/2006	Roman	D23/223
7,077,339 B2 *	7/2006	Leach	A61B 17/00491
				222/137
D532,077 S *	11/2006	Chen	D23/213
D578,603 S *	10/2008	Khaitov	D23/213
D588,231 S *	3/2009	Pellin	D23/213

(Continued)

Primary Examiner — Manpreet S Matharu

Assistant Examiner — Keith J Wilson

(74) *Attorney, Agent, or Firm* — Patterson Intellectual Property Law, P.C.; Edward D. Lanquist, Jr.; Alex H. Huffstutter

(57) **CLAIM**

What is claimed is the ornamental design for a dual nozzle sprayer, as shown and described.

DESCRIPTION

FIG. 1 is a top perspective view showing the dual nozzle sprayer of Applicant's new design.

FIG. 2 is a bottom perspective view of the dual nozzle sprayer of FIG. 1.

FIG. 3 is a top plan view of the dual nozzle sprayer of FIG. 1.

FIG. 4 is a right side elevation view of the dual nozzle sprayer of FIG. 1, the left side elevation view being an identical mirror image thereto.

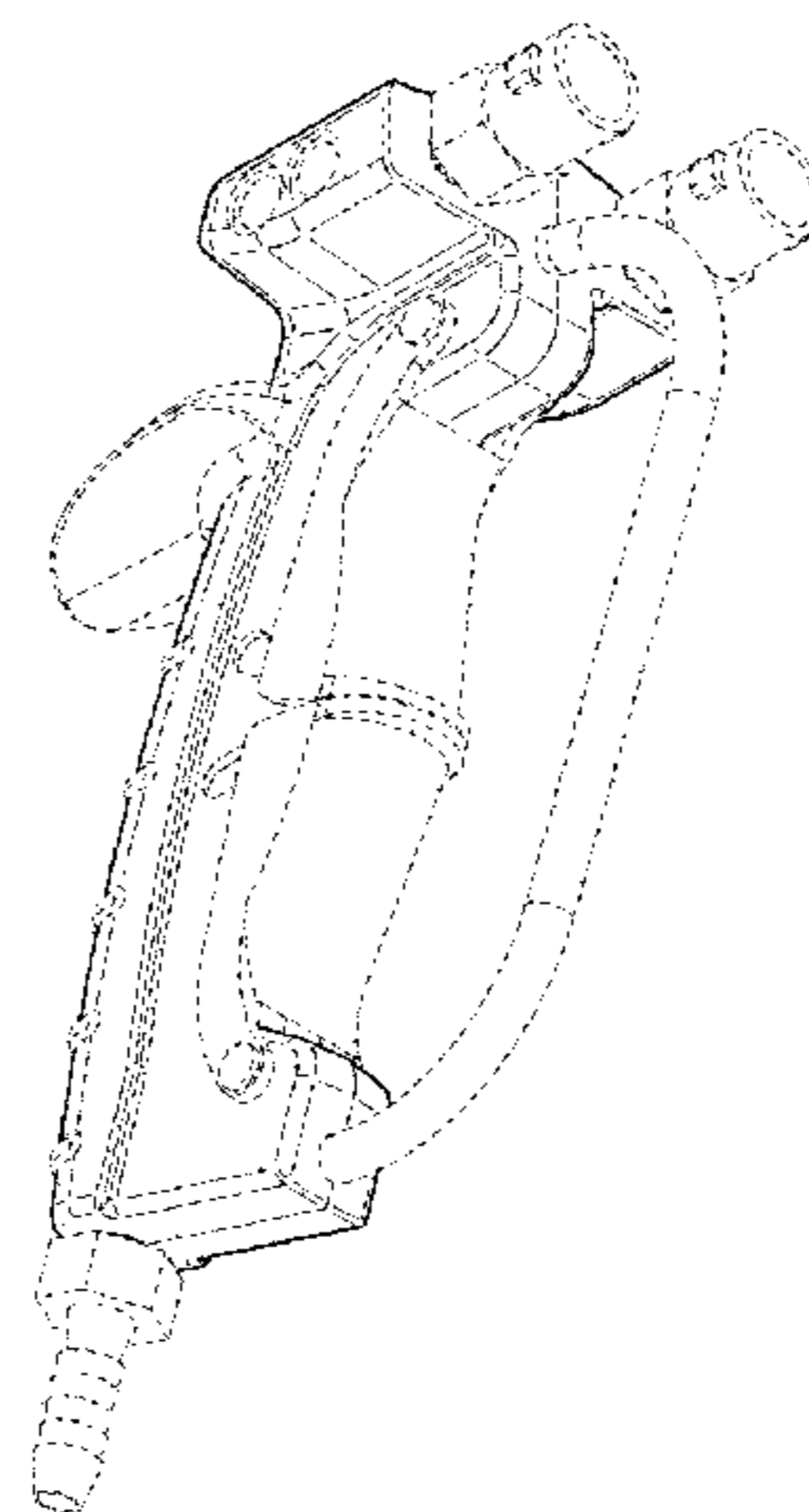
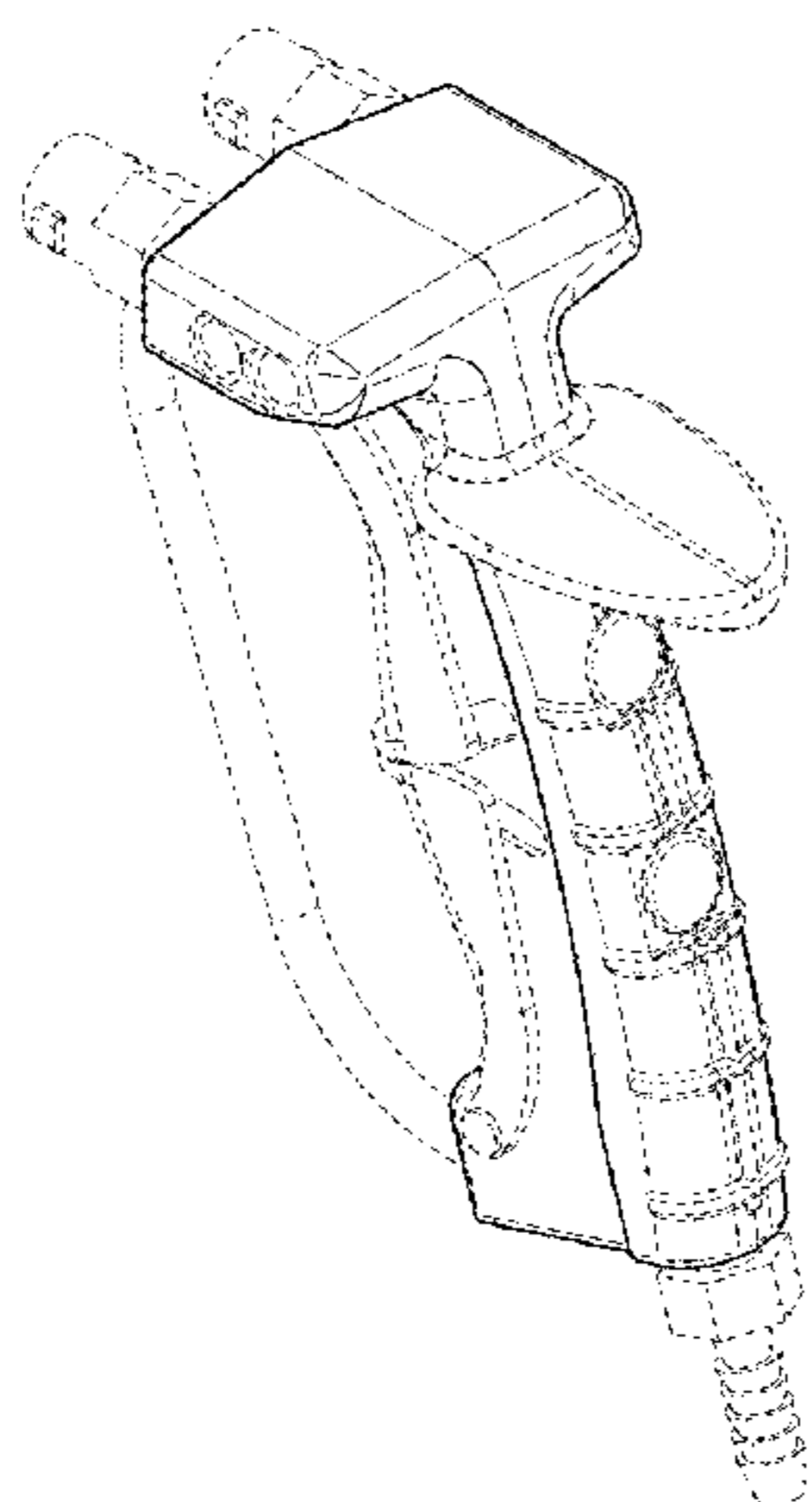
FIG. 5 is a bottom plan view of the dual nozzle sprayer of FIG. 1.

FIG. 6 is a back elevation view of the dual nozzle sprayer of FIG. 1; and,

FIG. 7 is a front elevation view of the dual nozzle sprayer of FIG. 1.

The broken line shown represents environment only and forms no part of the claimed design.

1 Claim, 3 Drawing Sheets



(56)

References Cited

U.S. PATENT DOCUMENTS

8,136,698	B1 *	3/2012	Beaulieu	B05B 7/2445 222/105
D666,692	S *	9/2012	Beaulieu	D23/223
D674,849	S *	1/2013	Wilson	D21/572
D726,872	S *	4/2015	Thurgood	D23/223
D749,696	S *	2/2016	Thurgood	D23/223
D792,944	S *	7/2017	Cheng	D23/224
D792,945	S *	7/2017	Cheng	D23/224
D799,003	S *	10/2017	Wojan	D23/223
D799,005	S *	10/2017	Wojan	D23/223
D800,255	S *	10/2017	Chen	D23/226
D800,868	S *	10/2017	Crenshaw	D23/226
D809,096	S *	1/2018	Wang	D23/223
D812,717	S *	3/2018	Crenshaw	D23/226
D820,952	S *	6/2018	Chen	D23/223
D820,953	S *	6/2018	Chen	D23/223
D821,544	S *	6/2018	Urry	D23/223
D821,545	S *	6/2018	Gehrung	D23/226
D824,486	S *	7/2018	Urry	D23/223
D824,492	S *	7/2018	Chen	D23/223
D830,506	S *	10/2018	Gehrung	D23/223
D831,792	S *	10/2018	Gehrung	D23/223
D838,340	S *	1/2019	Svendsen	D23/223
D838,809	S *	1/2019	Svendsen	D23/223
2015/0017327	A1 *	1/2015	Myers	B05B 7/1209 427/207.1
2017/0231212	A1 *	8/2017	Crenshaw	A01M 7/0046 239/11

* cited by examiner

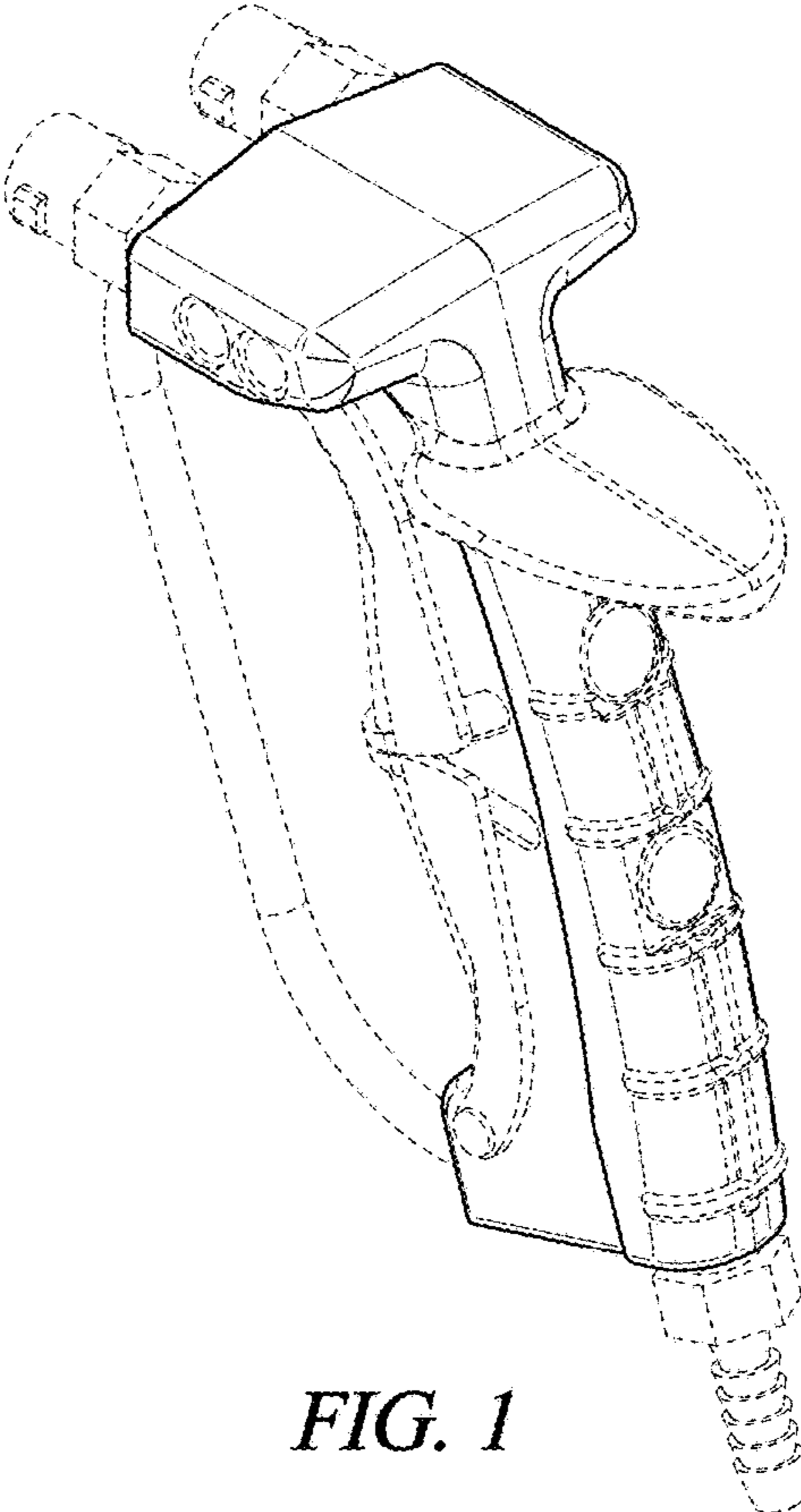


FIG. 1

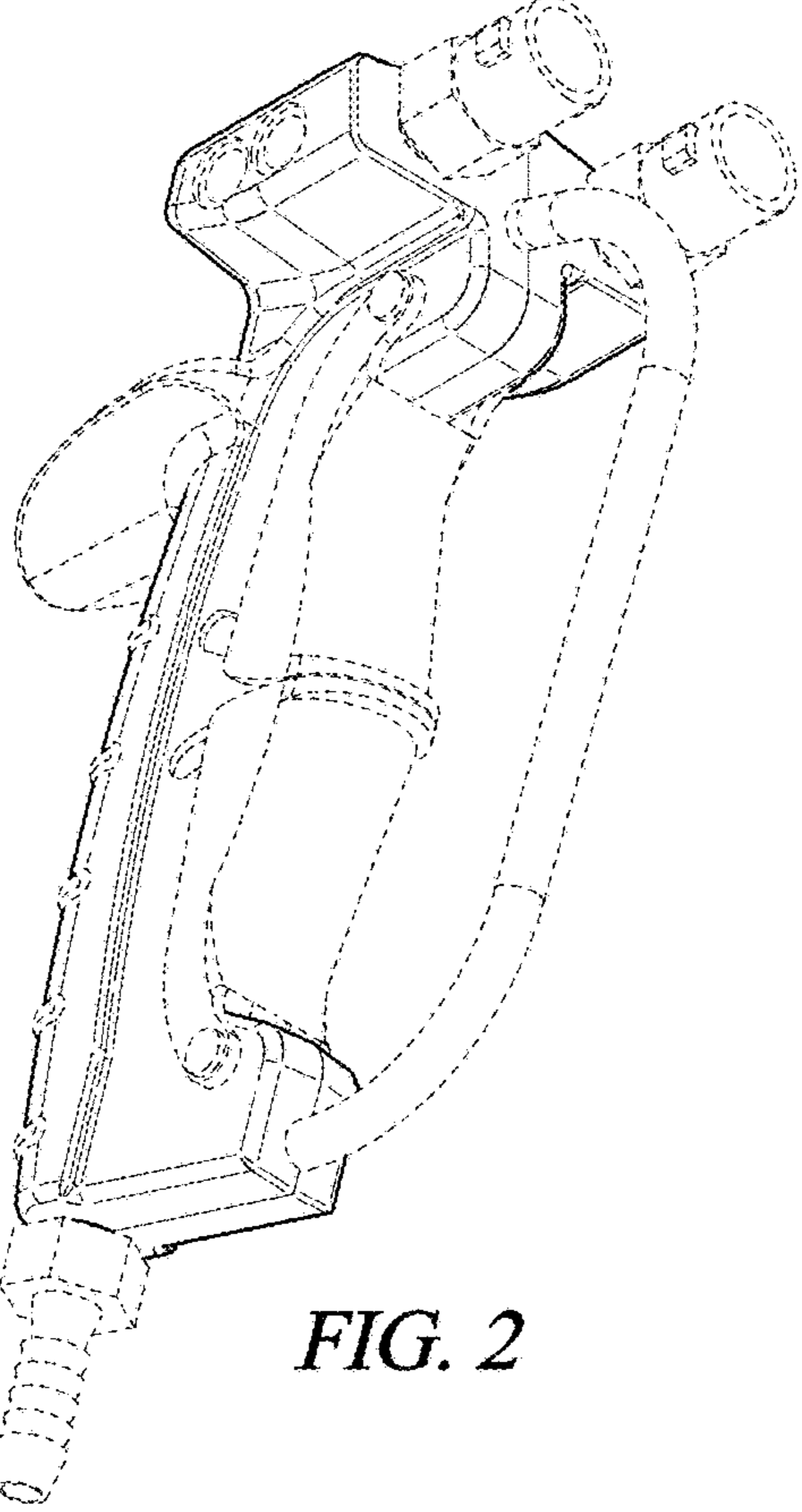


FIG. 2

FIG. 3

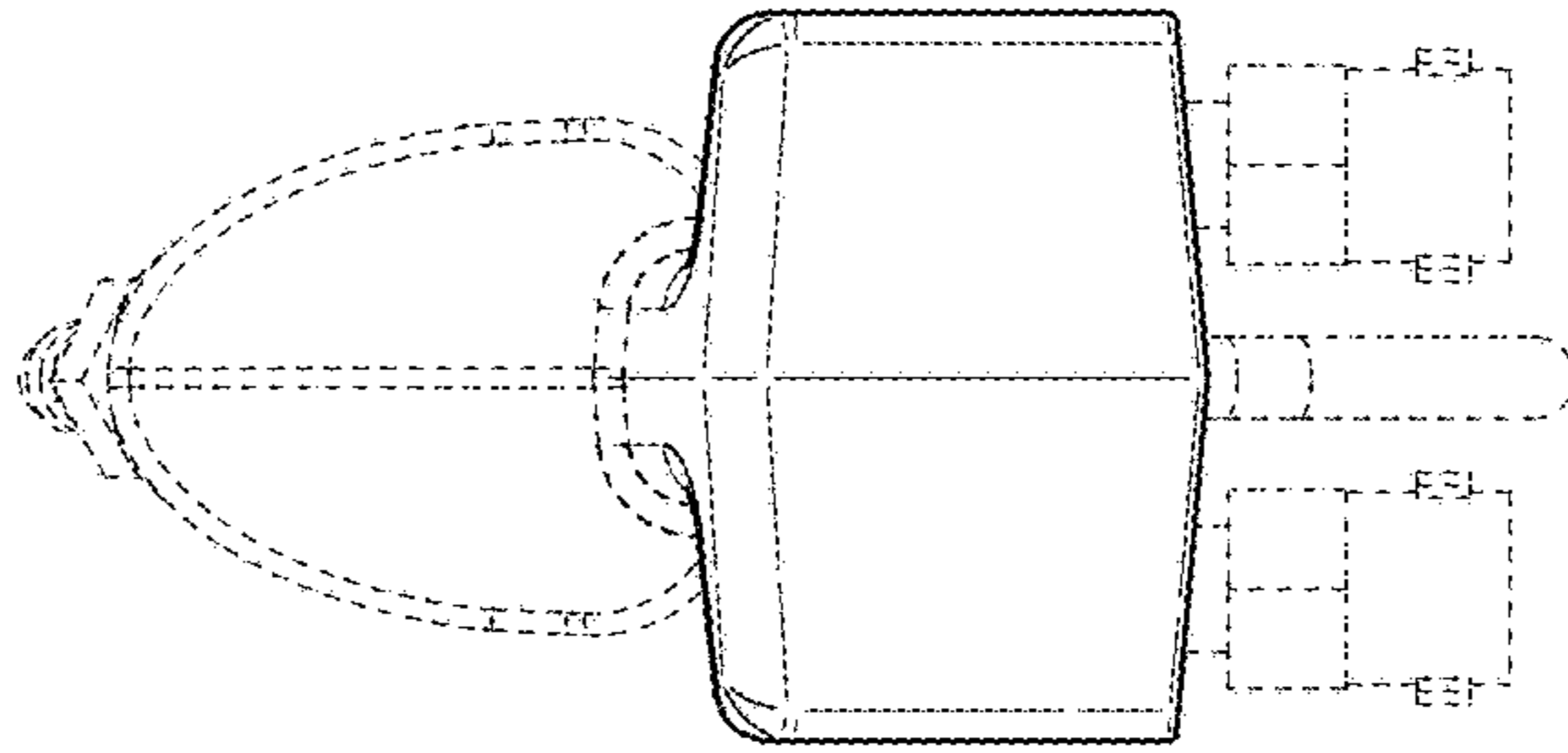


FIG. 4

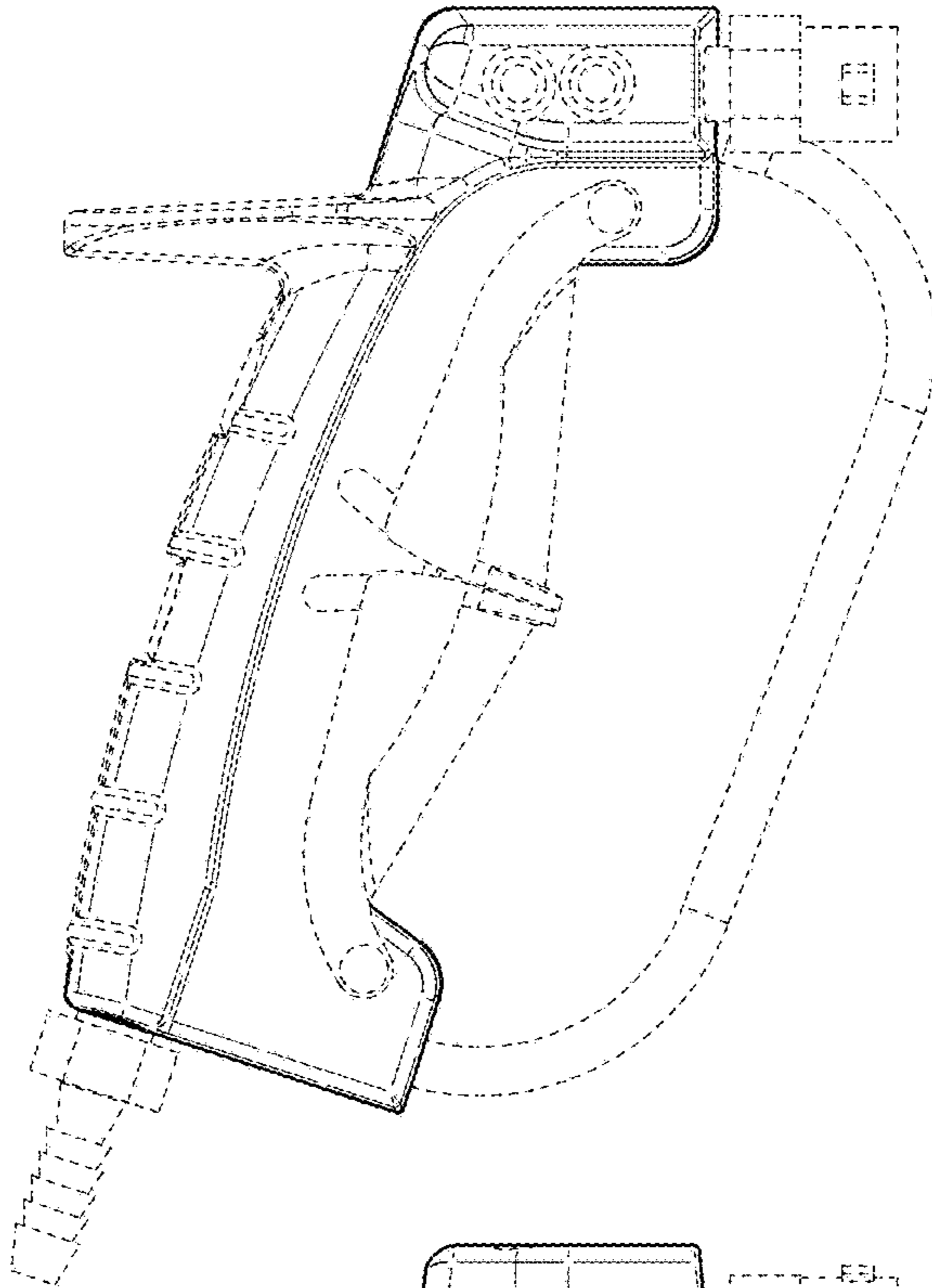
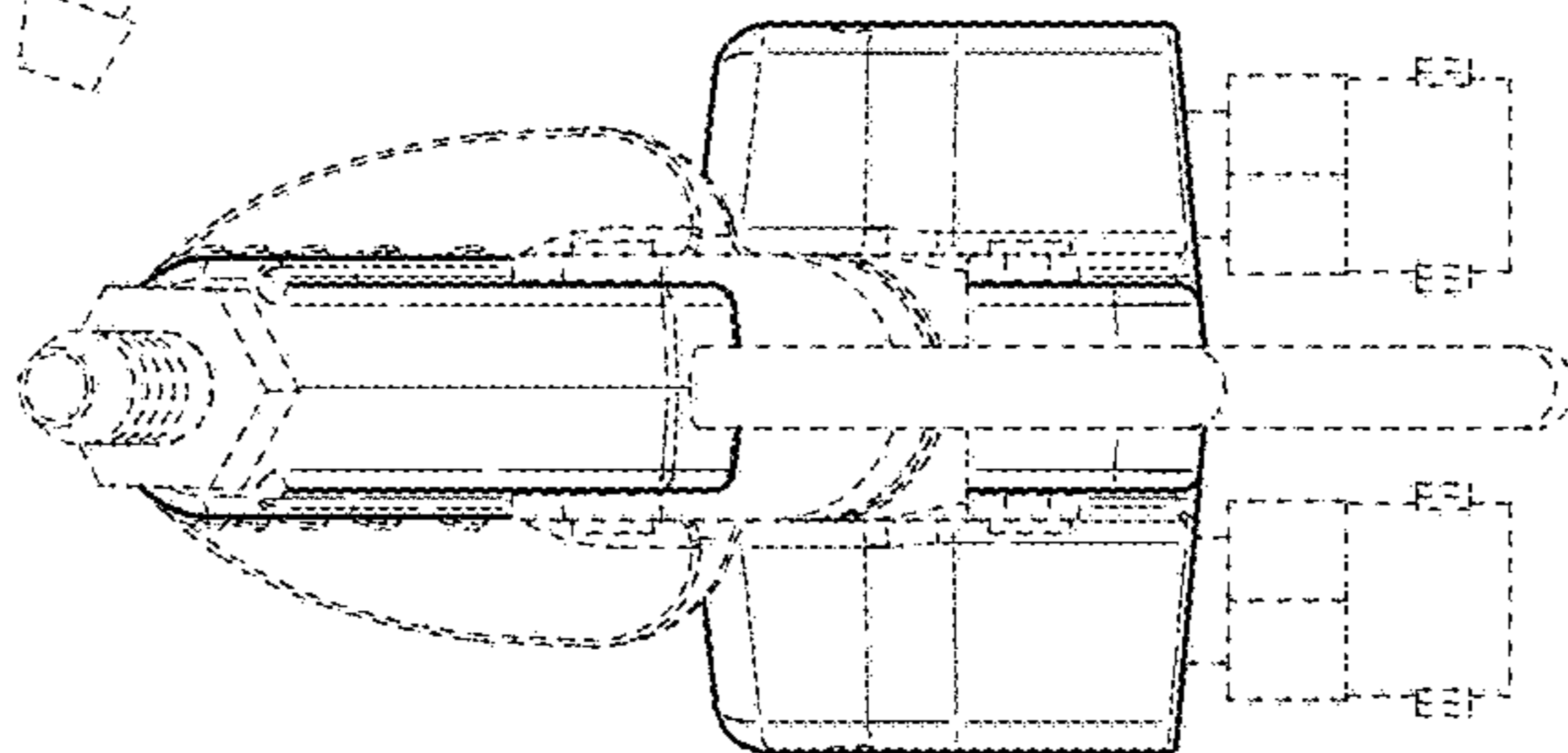


FIG. 5



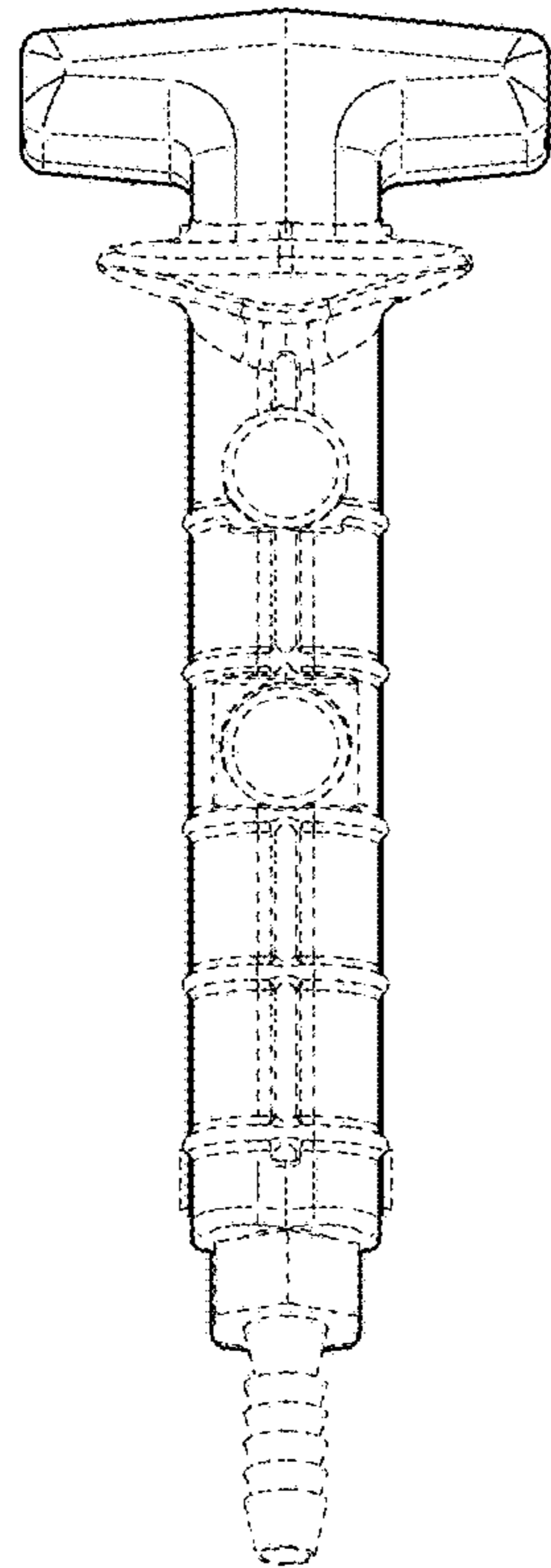


FIG. 6

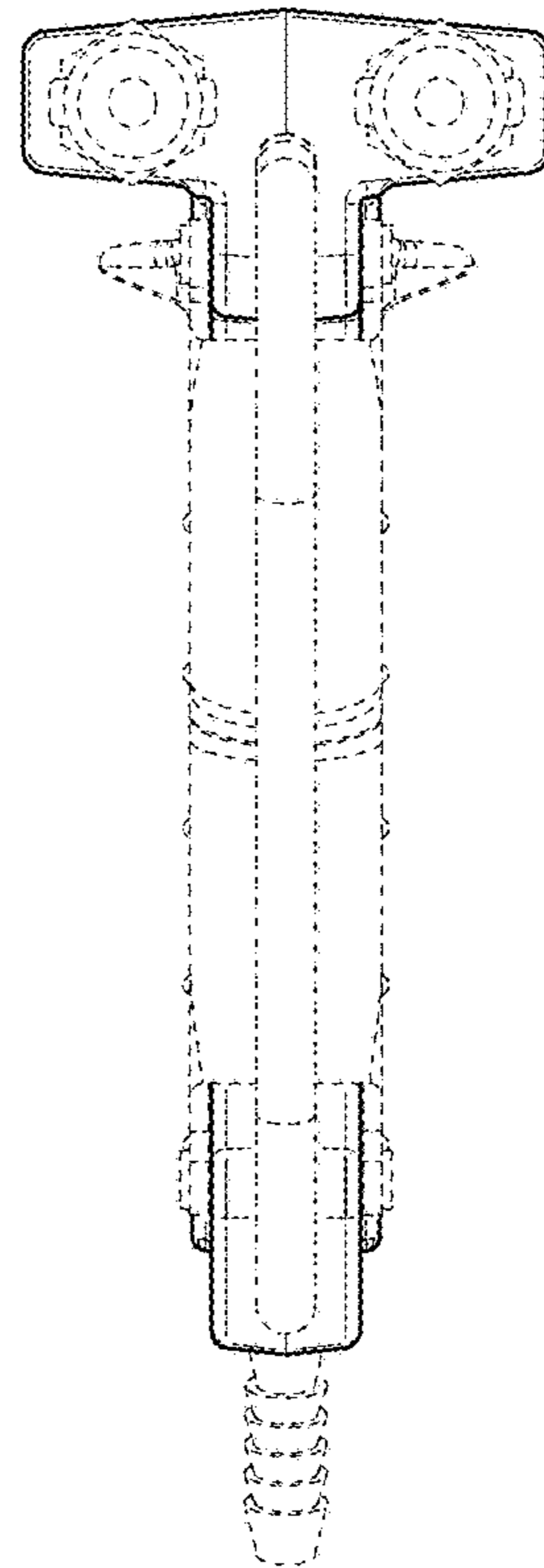


FIG. 7