



US00D858694S

(12) **United States Design Patent**  
**Zou**

(10) **Patent No.:** **US D858,694 S**

(45) **Date of Patent:** **\*\* Sep. 3, 2019**

(54) **FILTER UNIT**

(71) Applicant: **Qingdao Ecopure Filter Co., Ltd,**  
Qingdao (CN)

(72) Inventor: **Zhibin Zou,** Qingdao (CN)

(73) Assignee: **Qingdao Ecopure Filter Co., Ltd,**  
Qingdao (CN)

(\*\*) Term: **15 Years**

(21) Appl. No.: **29/641,542**

(22) Filed: **Mar. 22, 2018**

(51) **LOC (12) Cl.** ..... **23-01**

(52) **U.S. Cl.**  
USPC ..... **D23/209**

(58) **Field of Classification Search**  
USPC ..... D23/207, 209; 215/384; D7/316, 318,  
D7/319, 397, 612, 629  
CPC .... B01D 35/30; B01D 35/153; B01D 29/111;  
B01D 29/58; C02F 1/003; B65D 23/102  
See application file for complete search history.

(56) **References Cited**

**U.S. PATENT DOCUMENTS**

D795,995 S \* 8/2017 Zou ..... D23/209  
D795,996 S \* 8/2017 Zou ..... D23/209

D795,997 S \* 8/2017 Zou ..... D23/209  
D798,997 S \* 10/2017 Zou ..... D23/209

\* cited by examiner

*Primary Examiner* — Robin V Webster

(74) *Attorney, Agent, or Firm* — Muncy, Geissler, Olds &  
Lowe, P.C.

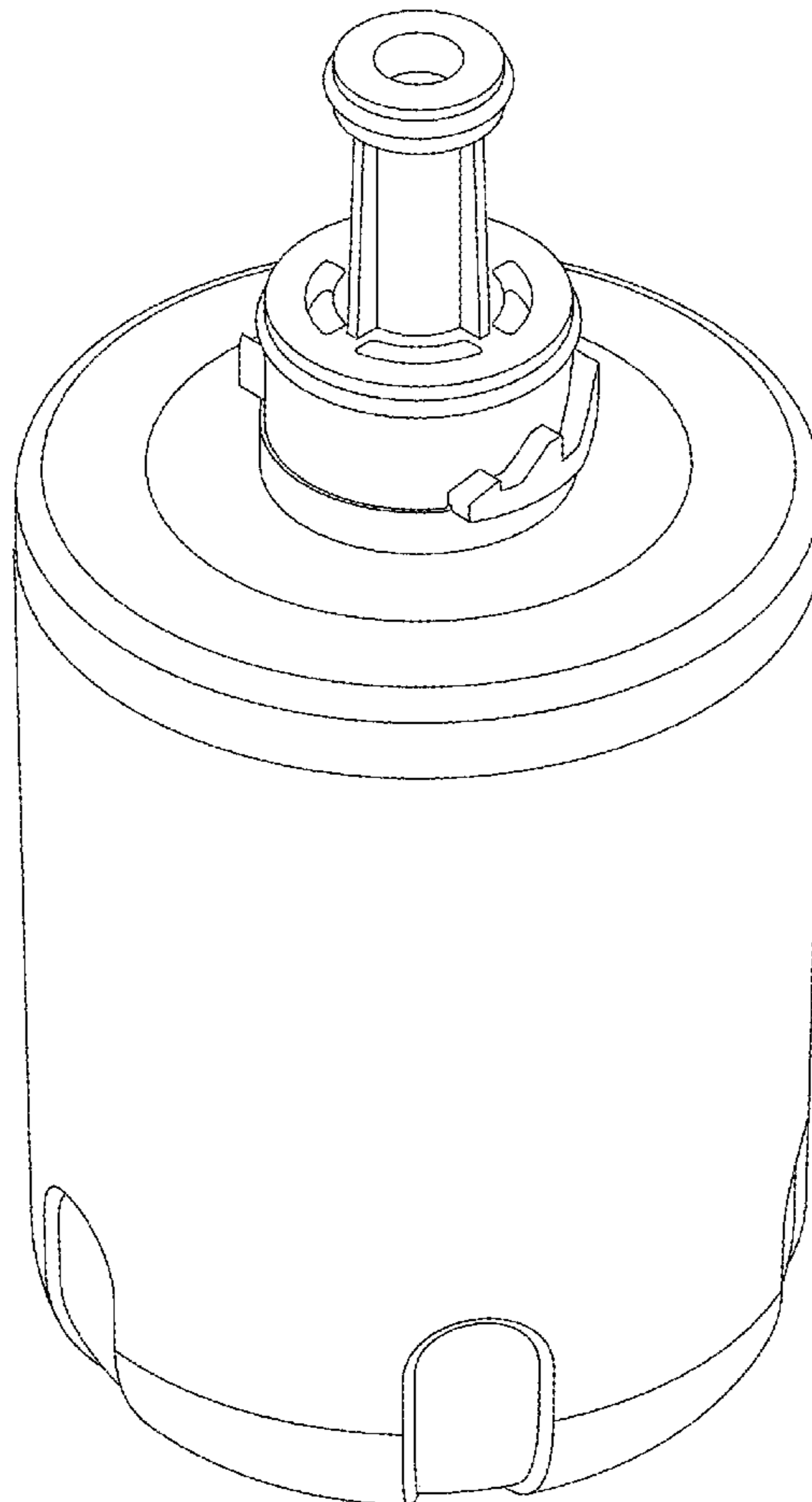
(57) **CLAIM**

The ornamental design for a filter unit, as shown and described.

**DESCRIPTION**

FIG. 1 is a Front elevational view of a filter unit showing my new design;  
FIG. 2 is a Rear elevational view thereof;  
FIG. 3 is a Left side view thereof;  
FIG. 4 is a Right side view thereof;  
FIG. 5 is a Top plan view thereof;  
FIG. 6 is a Bottom plan view thereof; and,  
FIG. 7 is a Perspective views thereof.

**1 Claim, 7 Drawing Sheets**



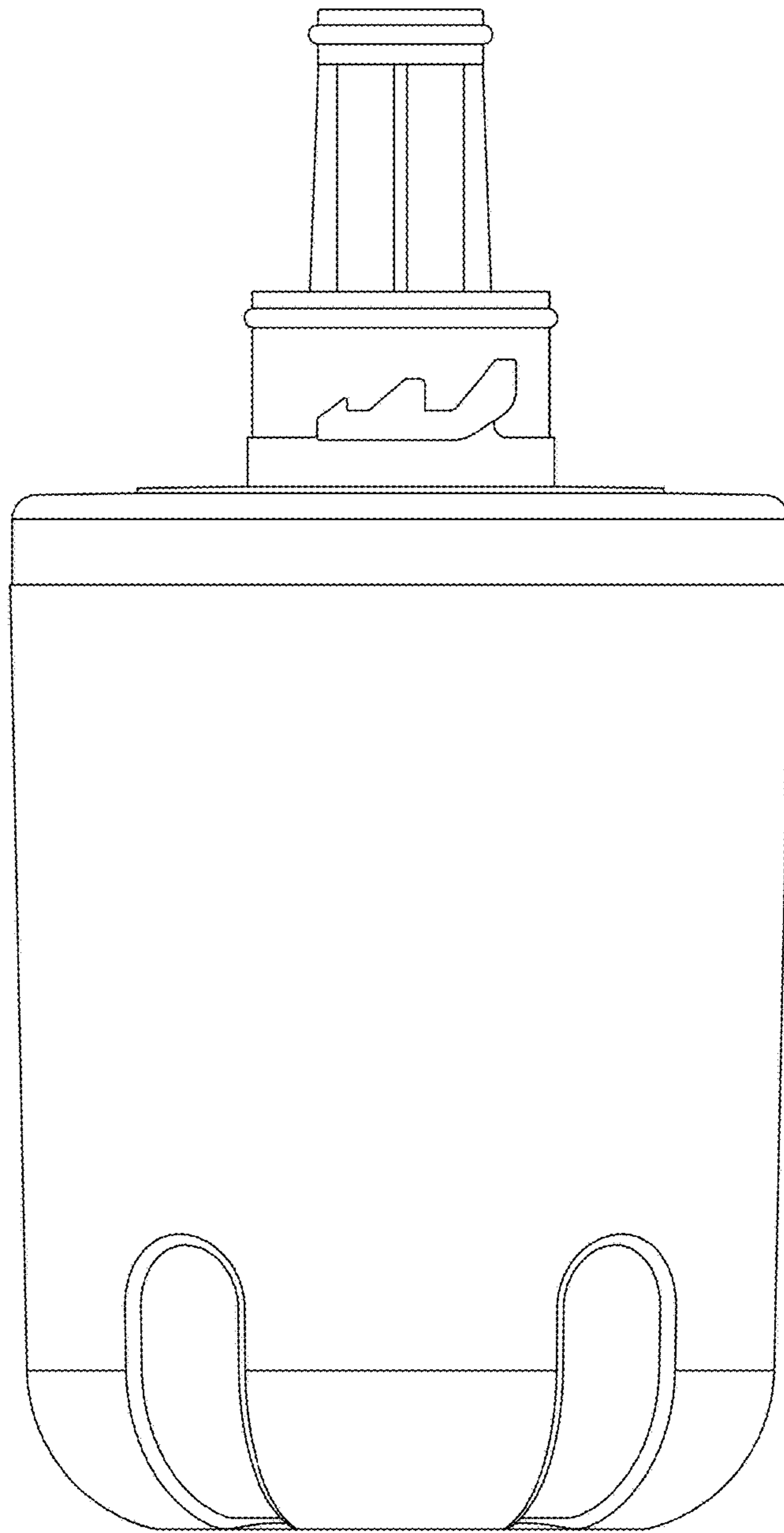


FIG. 1

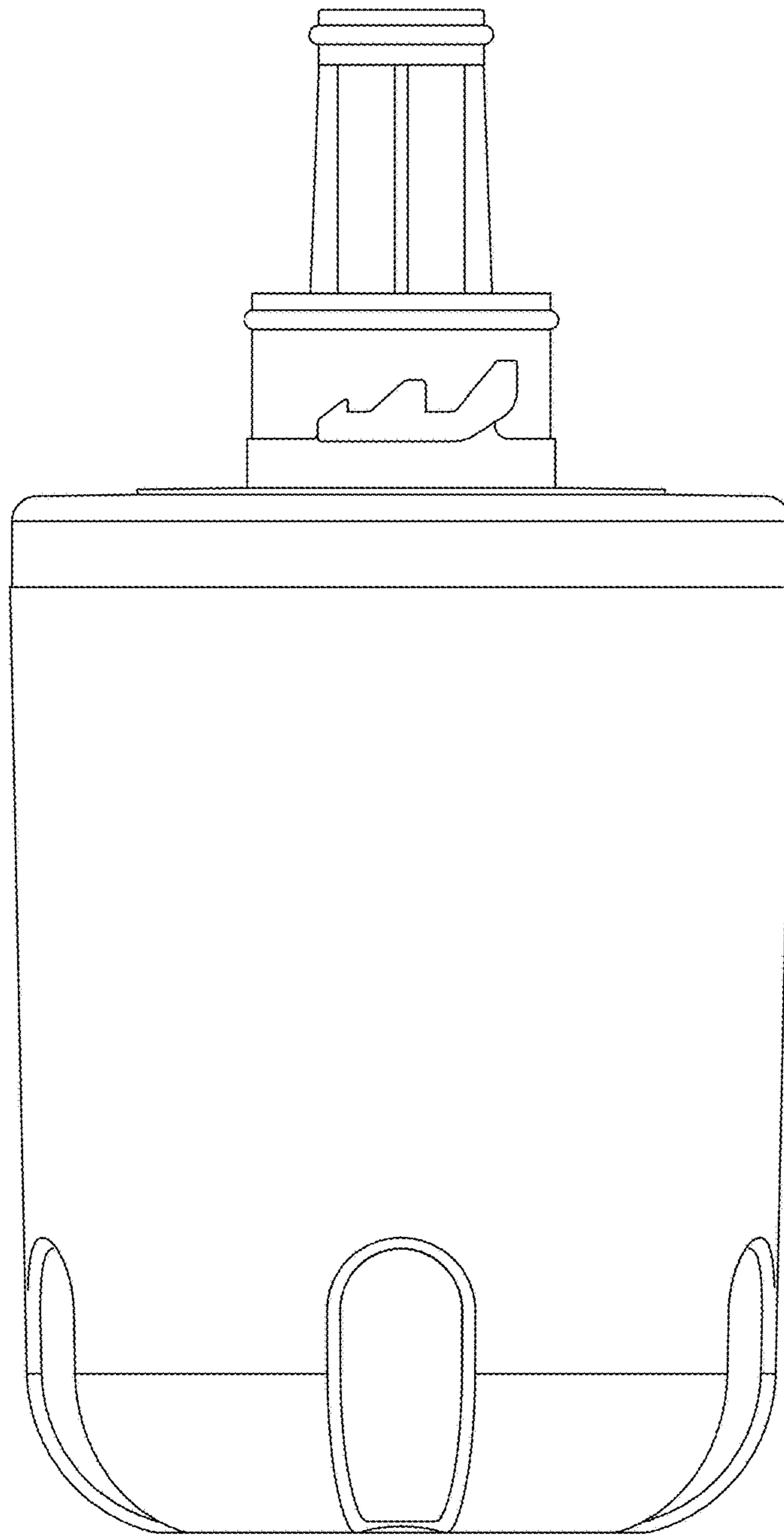


FIG. 2

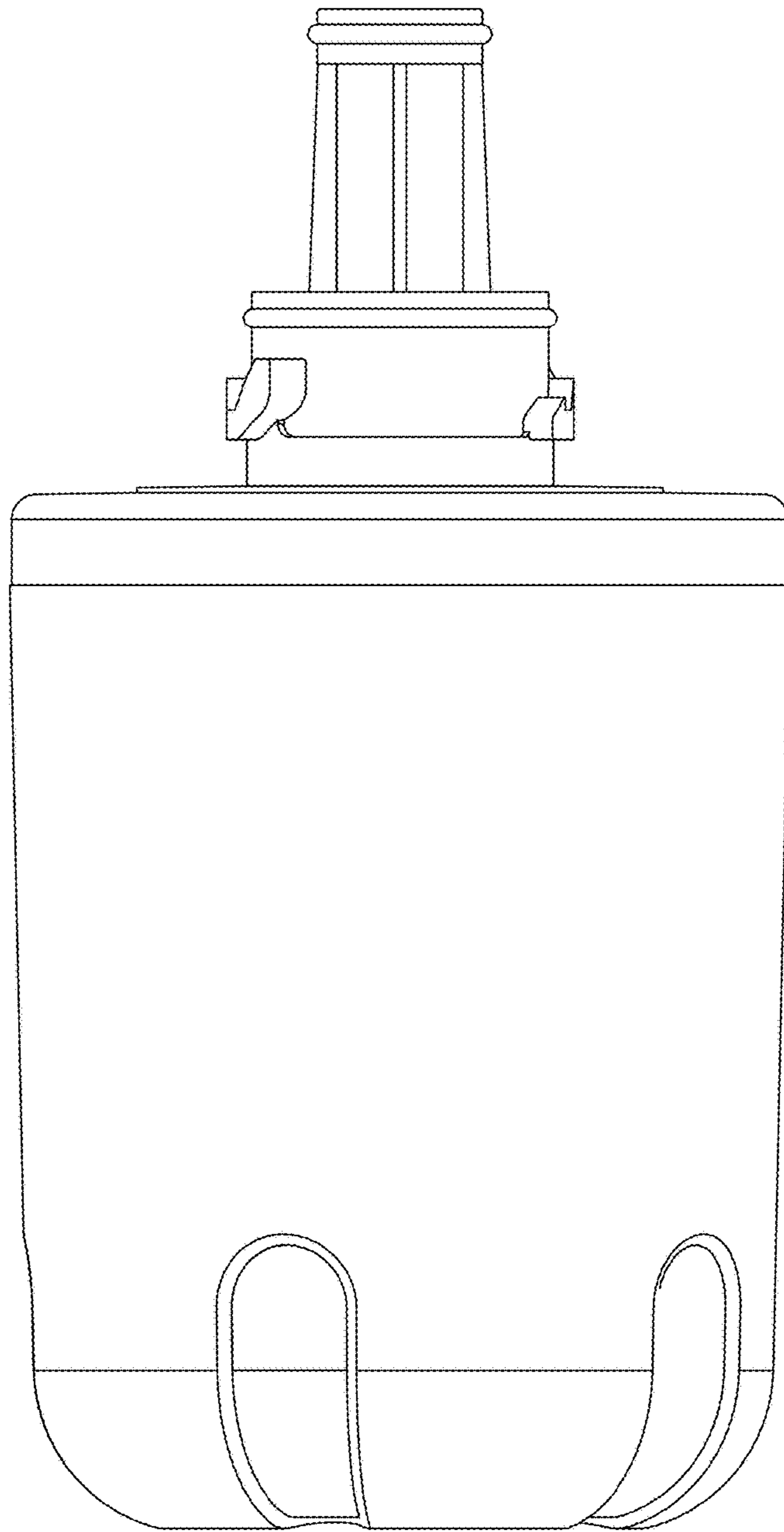


FIG. 3

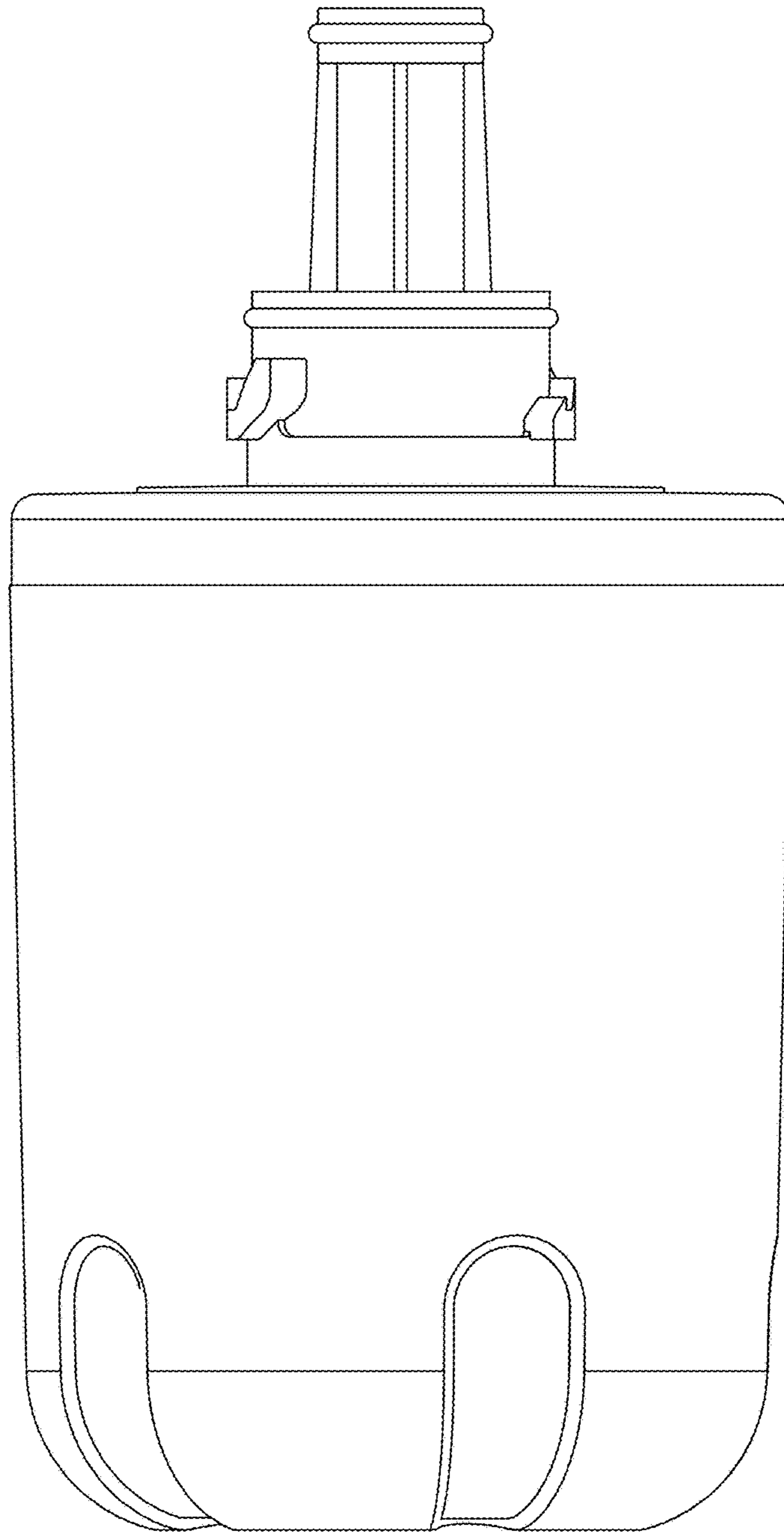


FIG. 4

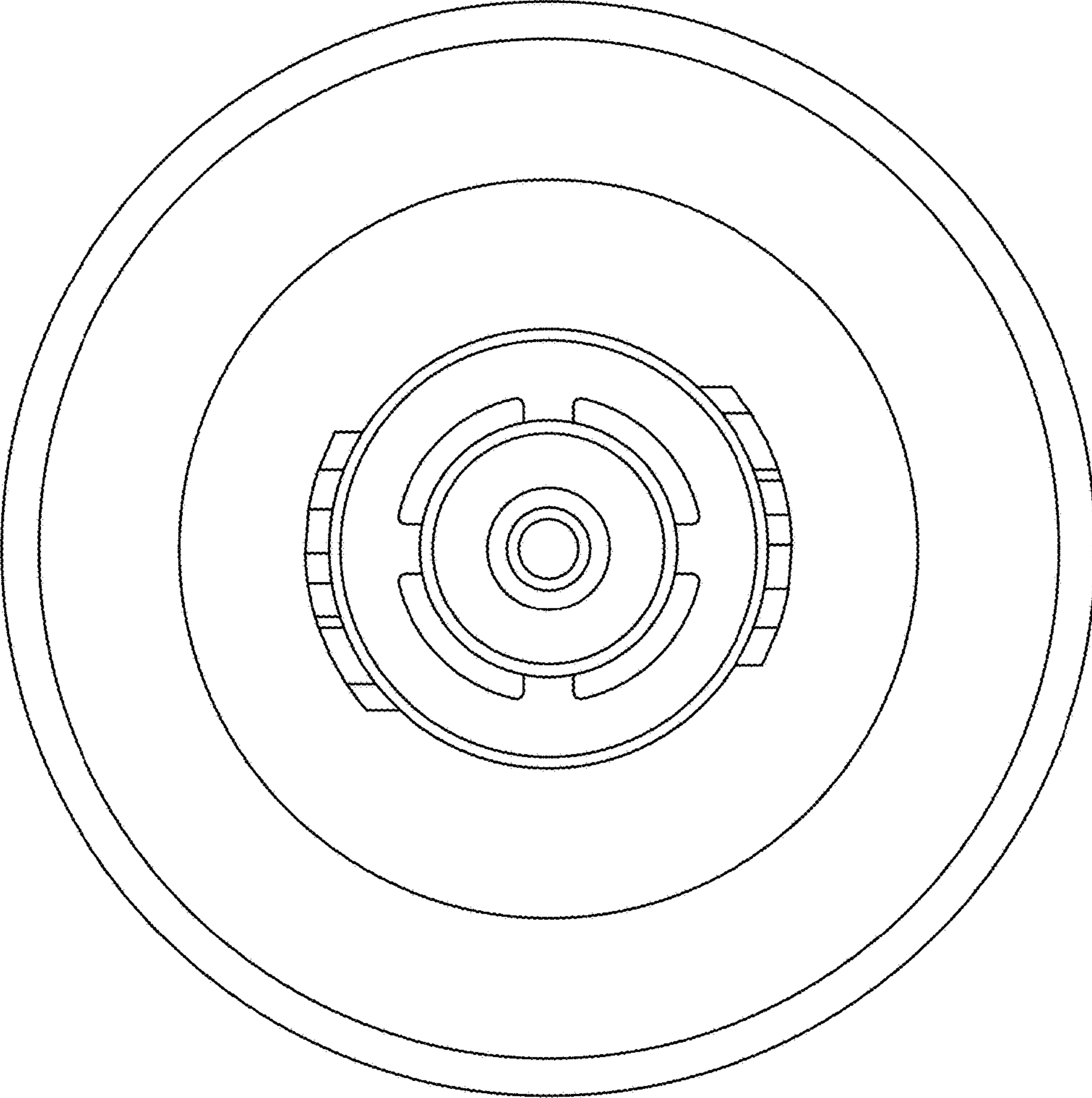


FIG. 5

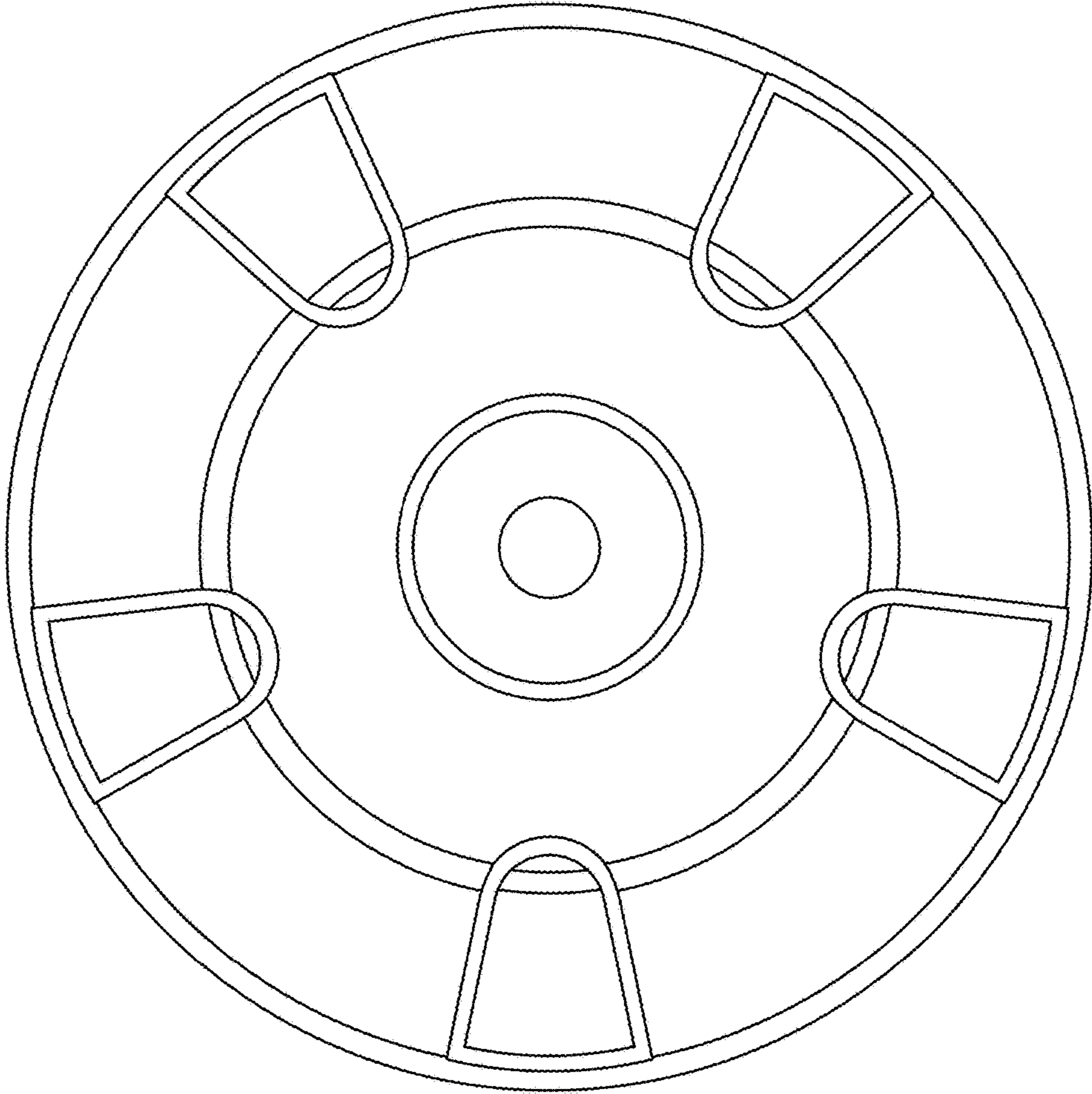


FIG. 6

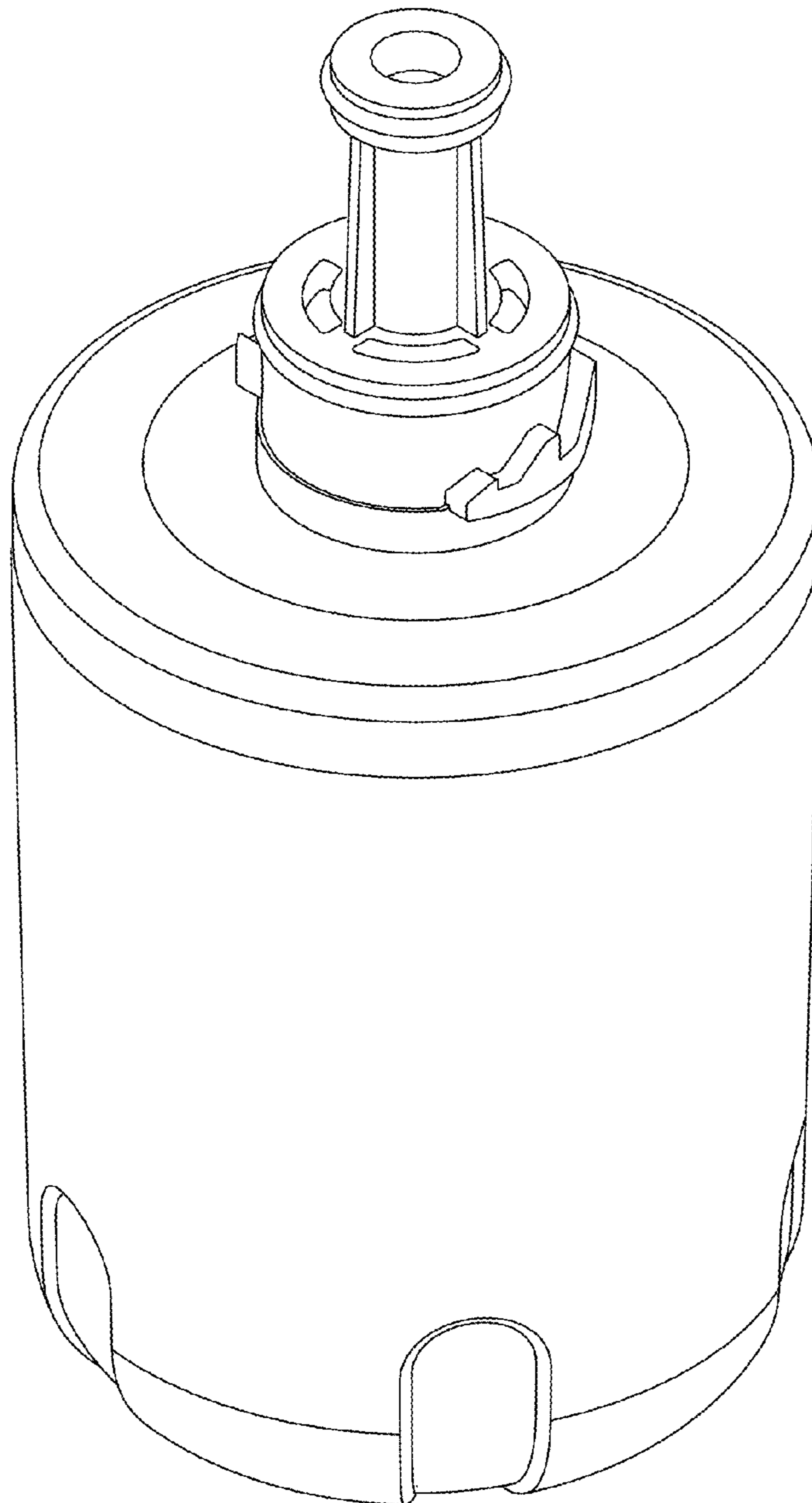


FIG. 7