

US00D858692S

(12) **United States Design Patent** (10) **Patent No.:** **US D858,692 S**
Zou (45) **Date of Patent:** **** Sep. 3, 2019**

(54) **FILTER UNIT**

D795,996 S * 8/2017 Zou D23/209
D795,997 S * 8/2017 Zou D23/209
D798,997 S * 10/2017 Zou D23/209

(71) Applicant: **Qingdao Ecopure Filter Co., Ltd,**
Qingdao (CN)

* cited by examiner

(72) Inventor: **Zhibin Zou,** Qingdao (CN)

Primary Examiner — Robin V Webster

(73) Assignee: **Qingdao Ecopure Filter Co., Ltd,**
Qingdao (CN)

(74) *Attorney, Agent, or Firm* — Muncy, Geissler, Olds & Lowe, P.C.

(**) Term: **15 Years**

(57) **CLAIM**

(21) Appl. No.: **29/641,514**

The ornamental design for a filter unit, as shown and described.

(22) Filed: **Mar. 22, 2018**

(51) **LOC (12) Cl.** **23-01**

(52) **U.S. Cl.**
USPC **D23/209**

DESCRIPTION

(58) **Field of Classification Search**
USPC D23/207, 209; 215/384; D7/316, 318,
D7/319, 397, 612, 629
CPC B01D 35/30; B01D 35/153; B01D 29/111;
B01D 29/58; C02F 1/003; B65D 23/102
See application file for complete search history.

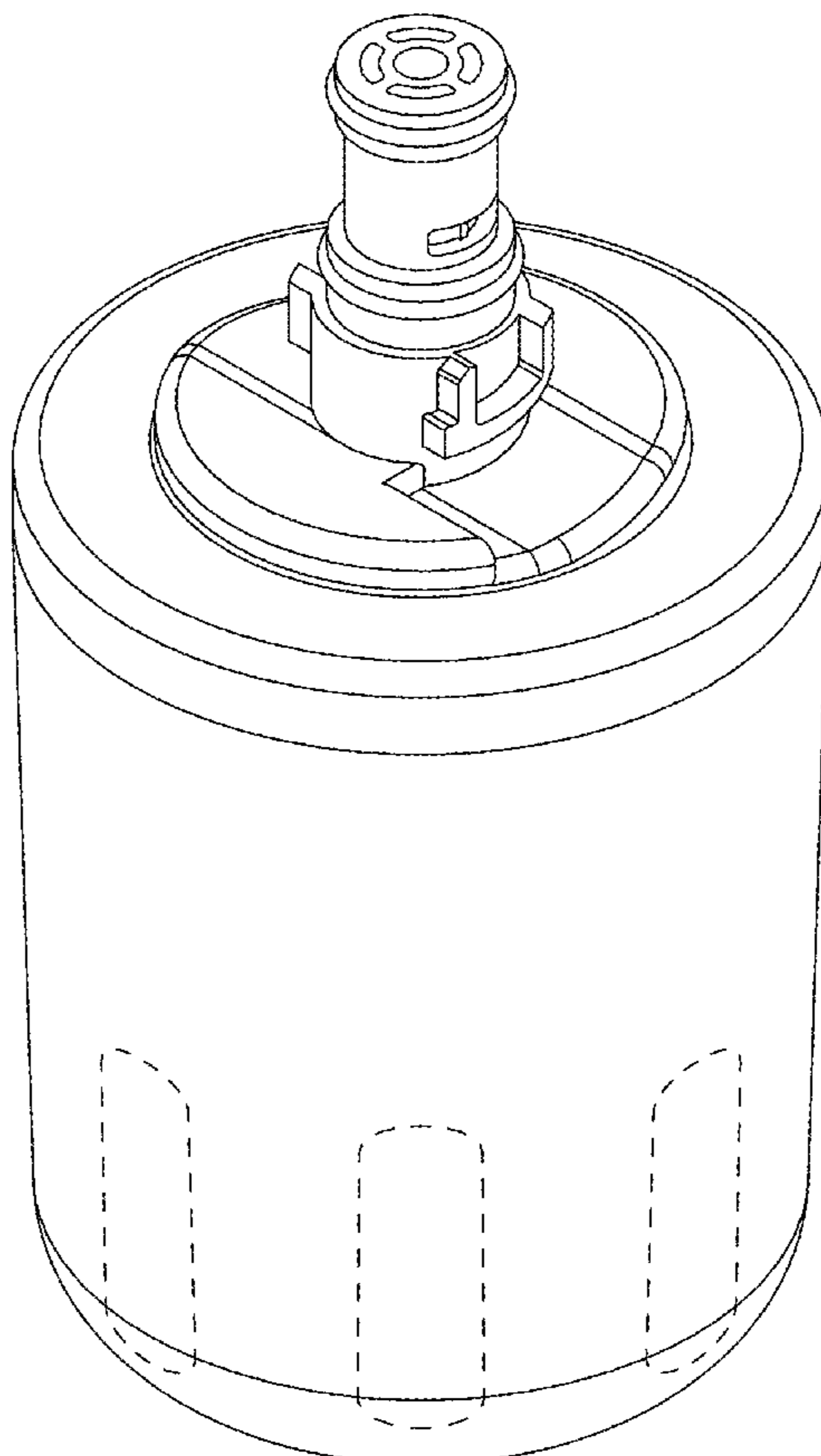
FIG. 1 is a Front elevational view of a filter unit showing my new design;
FIG. 2 is a Rear elevational view thereof;
FIG. 3 is a Left side view thereof;
FIG. 4 is a Right side view thereof;
FIG. 5 is a Top plan view thereof;
FIG. 6 is a Bottom plan view thereof; and,
FIG. 7 is a Perspective views thereof.
The broken lines in the drawing depict portions of the filter unit that form no part of the claimed design.

(56) **References Cited**

U.S. PATENT DOCUMENTS

D795,995 S * 8/2017 Zou D23/209

1 Claim, 7 Drawing Sheets



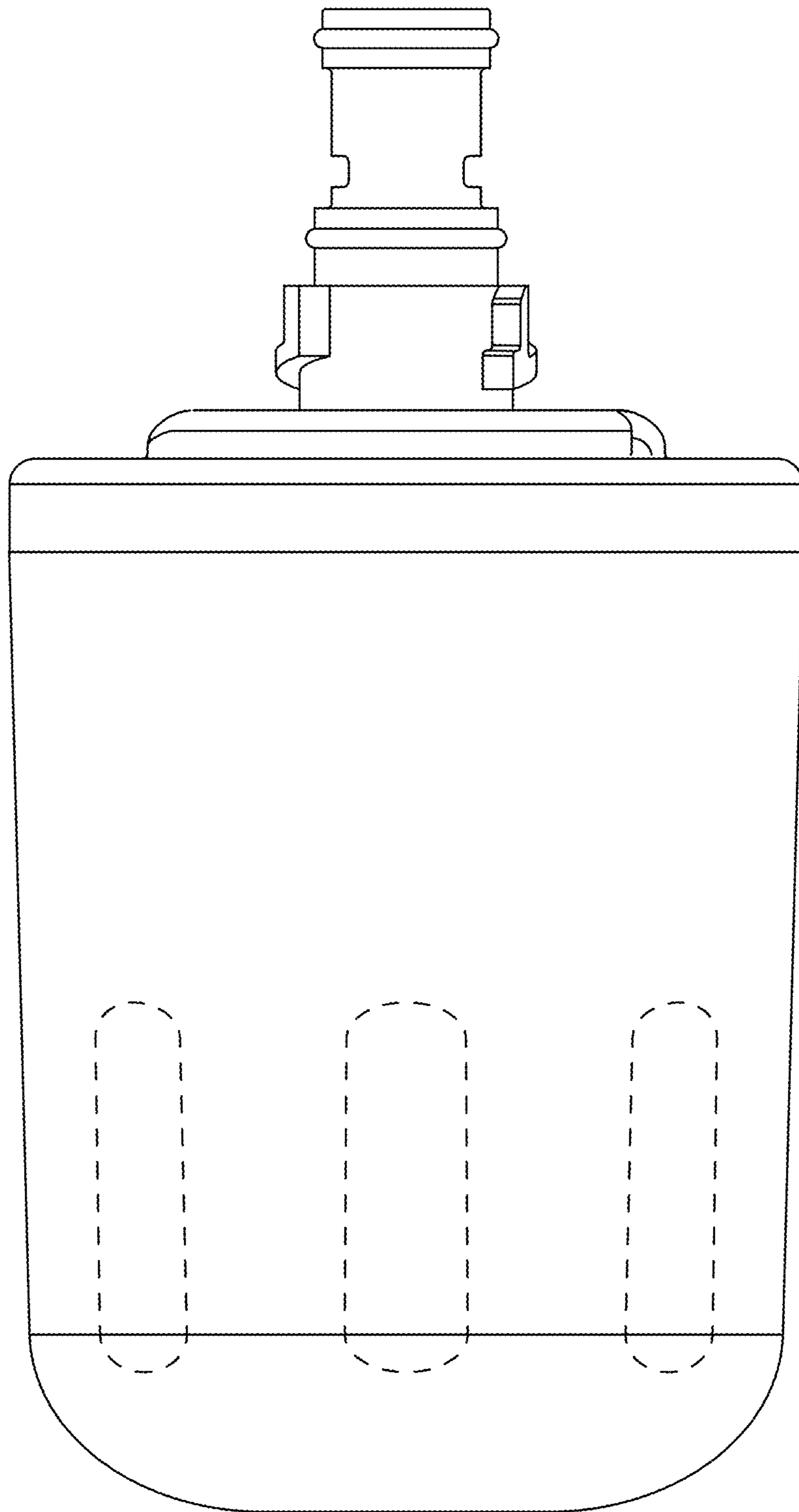


FIG. 1

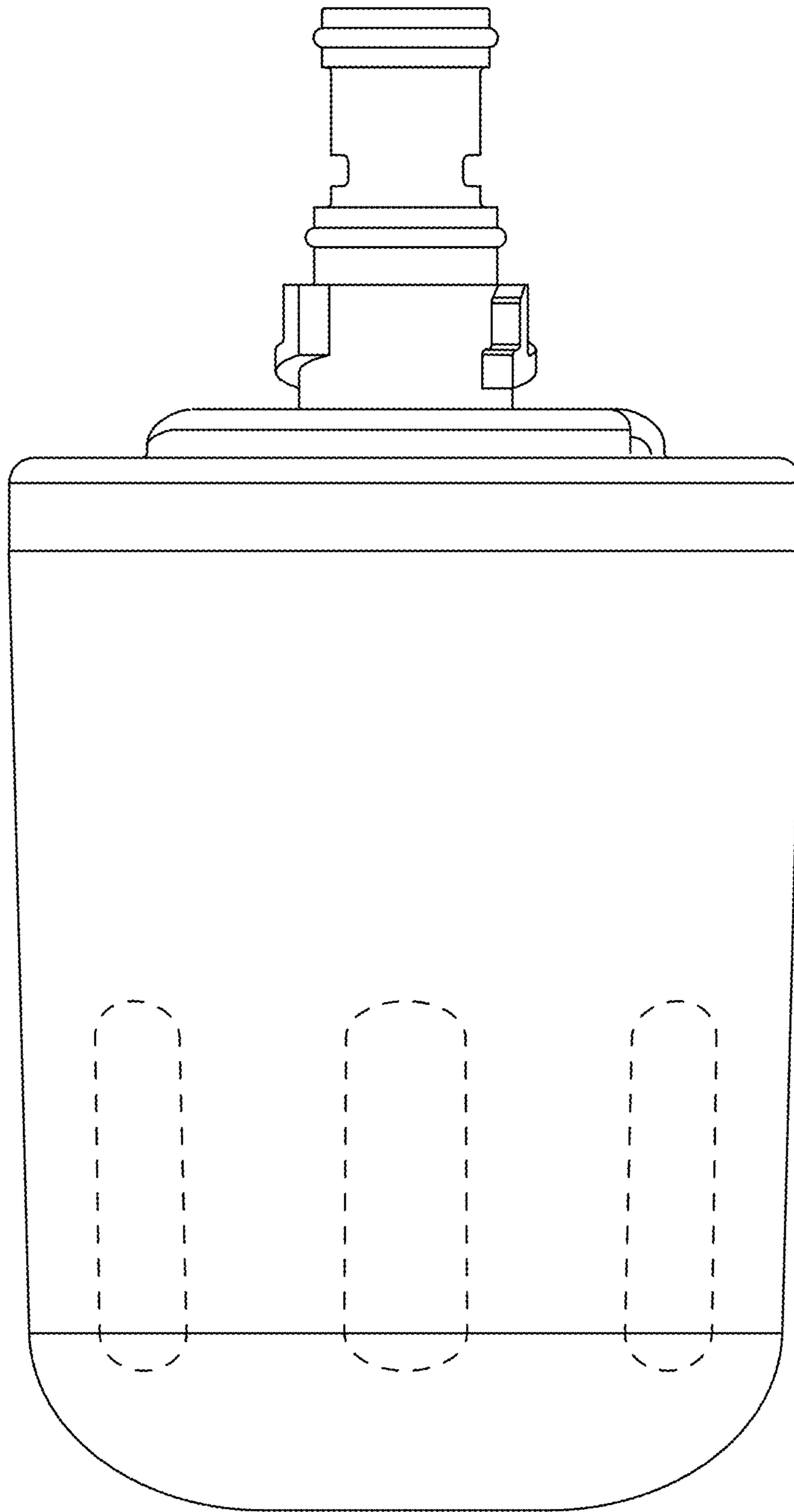


FIG. 2

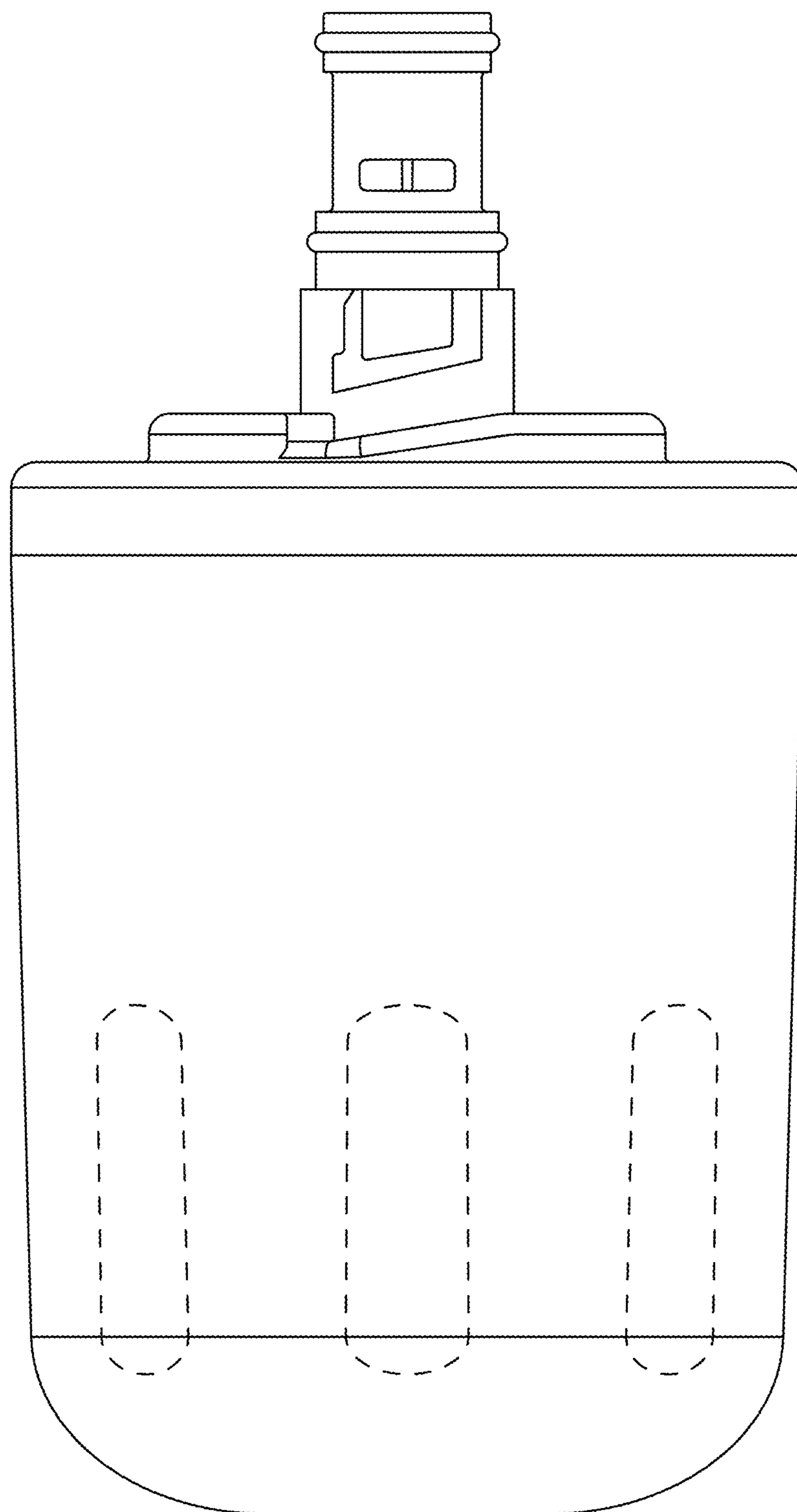


FIG. 3

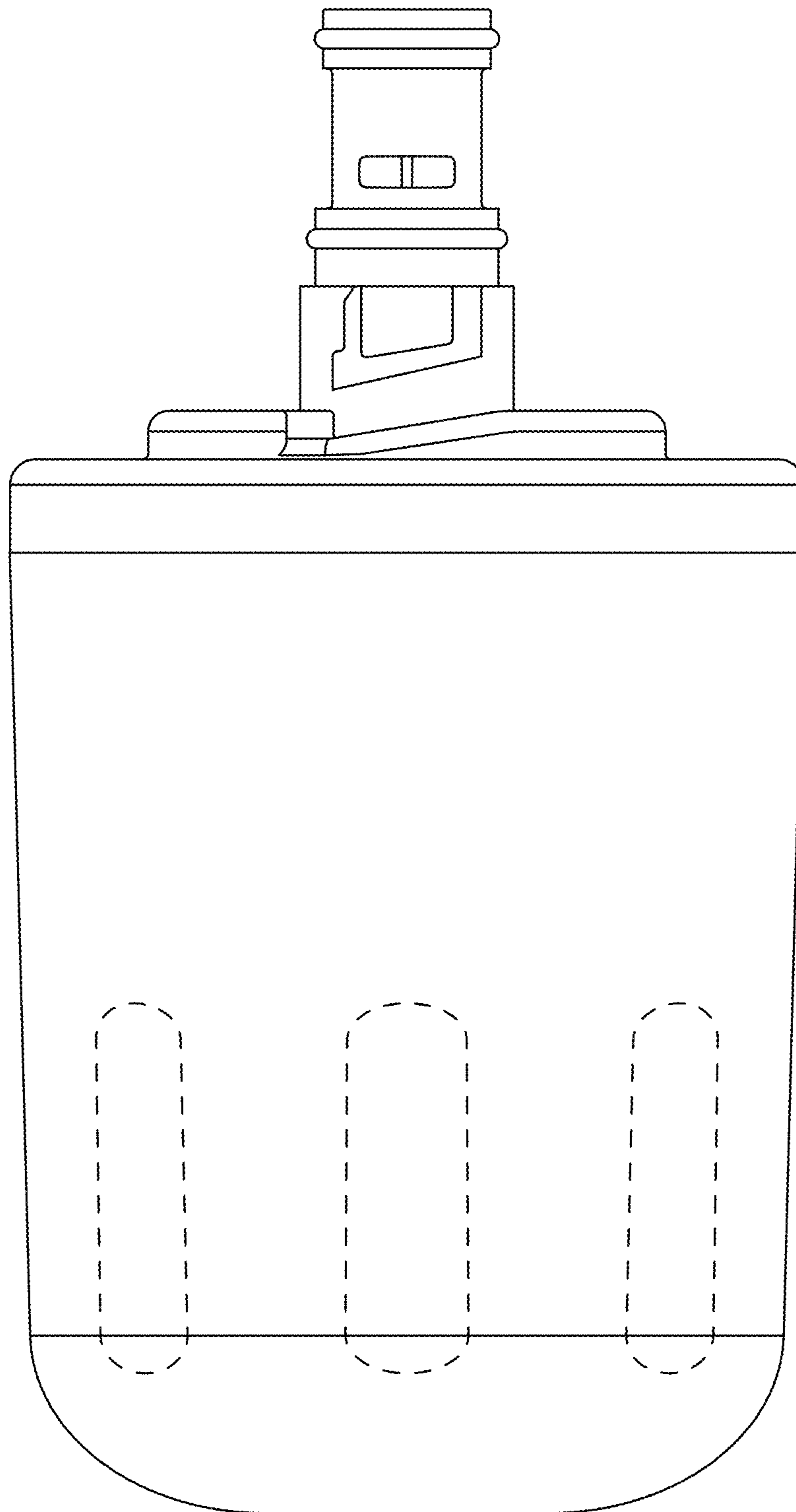


FIG. 4

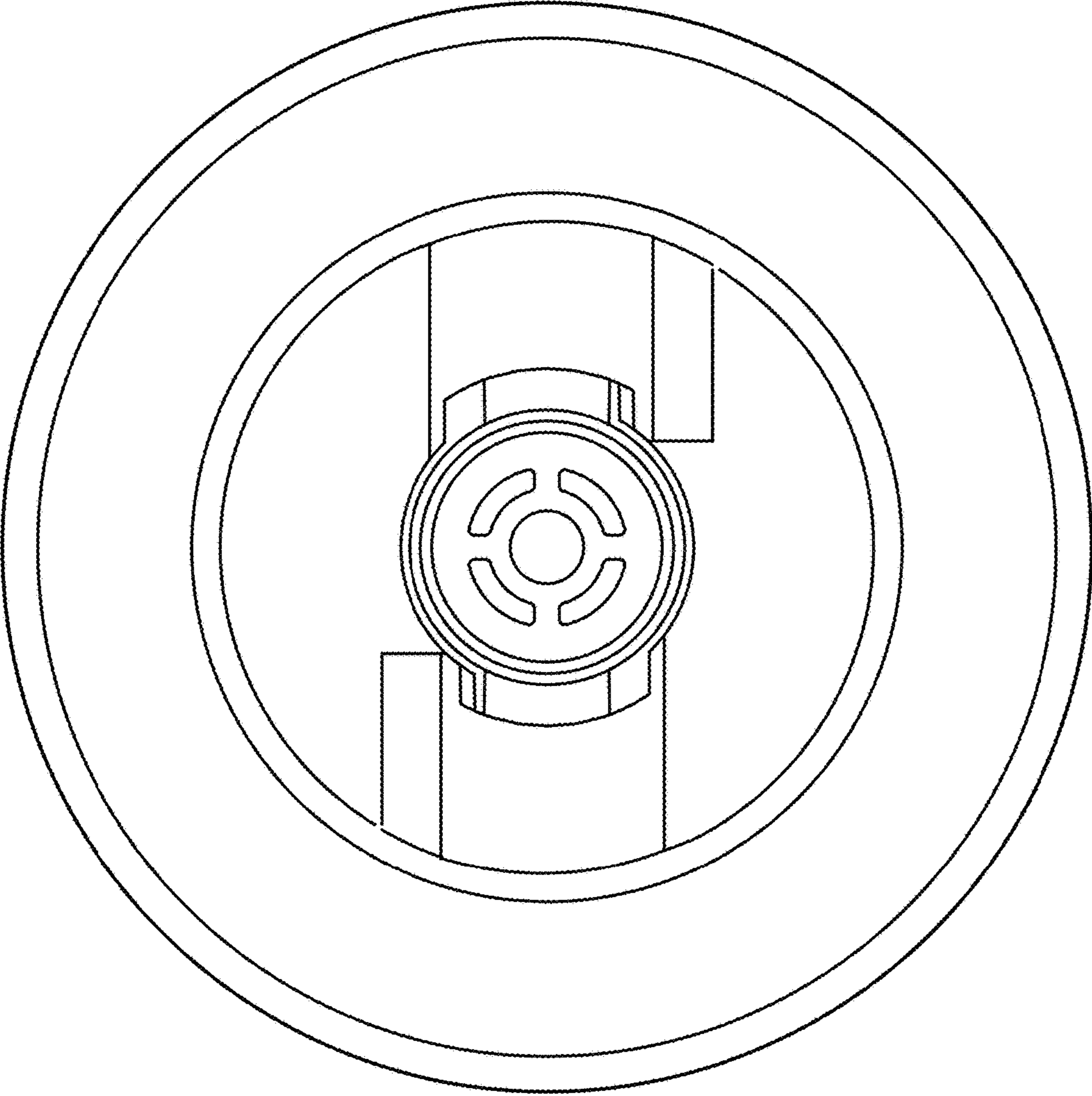


FIG. 5

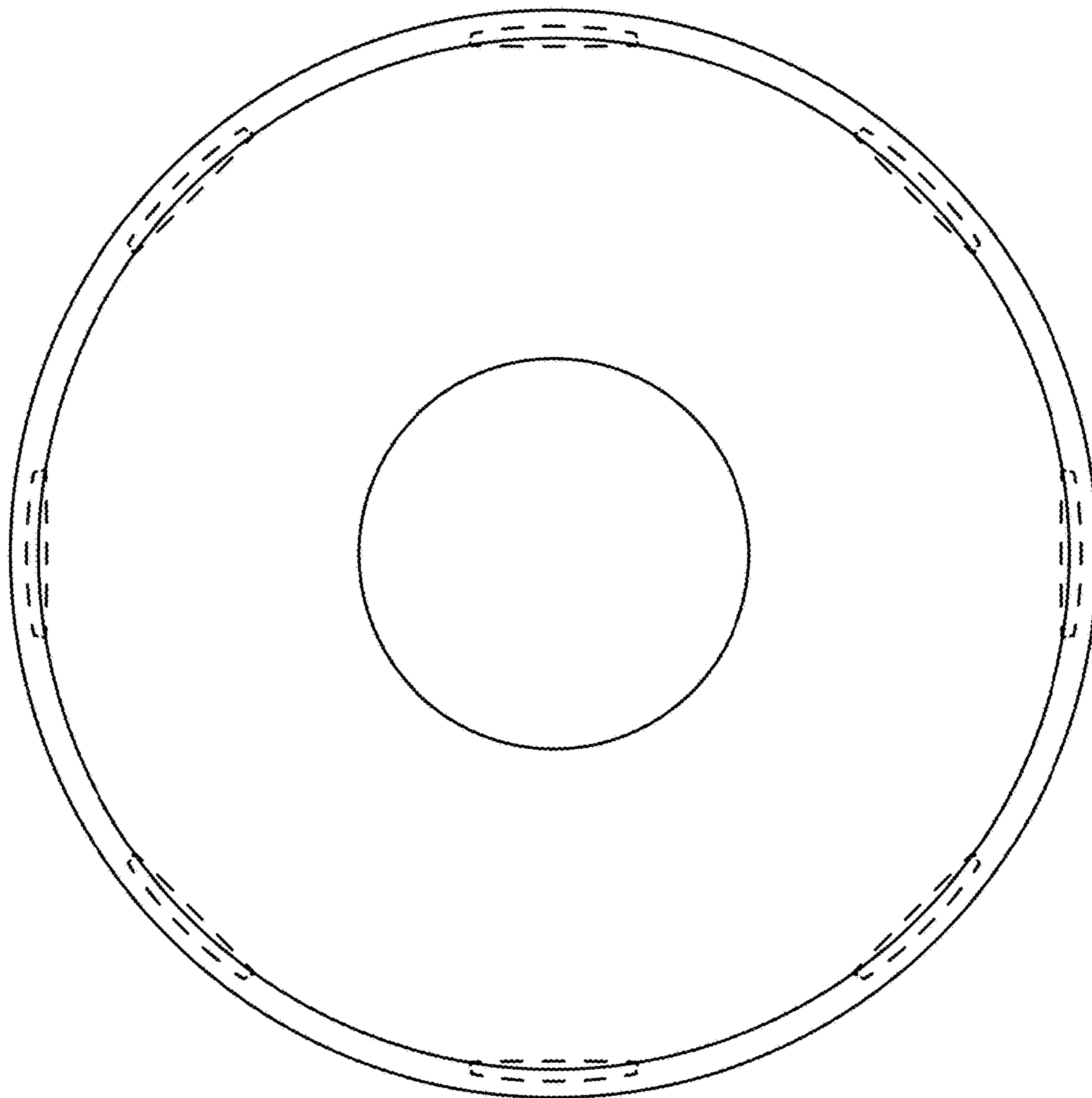


FIG. 6

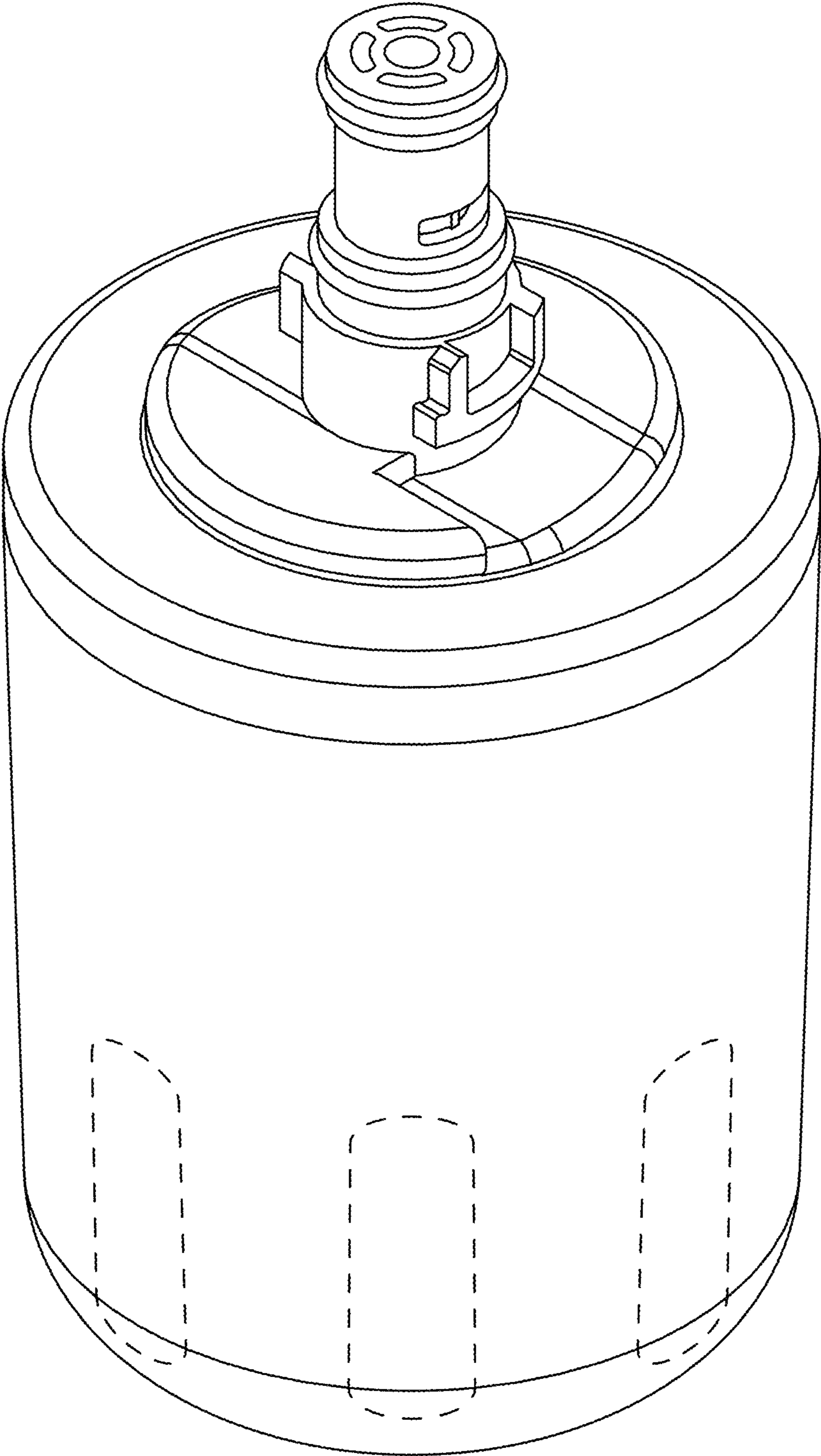


FIG. 7