



US00D858690S

(12) **United States Design Patent** (10) **Patent No.:** **US D858,690 S**
Fenton et al. (45) **Date of Patent:** **** Sep. 3, 2019**

(54) **WATER TREATMENT CARTRIDGE**

(71) Applicant: **CROSSTEX INTERNATIONAL INC.**, Hauppauge, NY (US)

(72) Inventors: **Thomas L. Fenton**, Minneapolis, MN (US); **Jamie Krull**, Minneapolis, MN (US); **Michael W. McKeand**, Minneapolis, MN (US); **Christopher Werthman**, Minneapolis, MN (US)

(73) Assignee: **Crosstex International, Inc.**, Hauppauge, NY (US)

(**) Term: **15 Years**

(21) Appl. No.: **29/623,265**

(22) Filed: **Oct. 24, 2017**

(51) **LOC (12) Cl.** **23-01**

(52) **U.S. Cl.**
USPC **D23/207**

(58) **Field of Classification Search**
USPC D23/200, 207, 209; 210/497.01
CPC B01D 35/30; B01D 35/153; B01D 35/306;
B01D 2201/30; B01D 2201/29; B01D
24/10; B01D 36/02; B01D 29/035; B01D
29/0009; C02F 1/002; C02F 1/003
See application file for complete search history.

(56) **References Cited**

U.S. PATENT DOCUMENTS

1,637,095	A	7/1927	Walters	
3,490,580	A	1/1970	Robinson et al.	
3,788,476	A	1/1974	Othmer	
4,238,477	A	12/1980	Lambert et al.	
4,298,475	A *	11/1981	Gartner	A47G 21/188 210/266

(Continued)

Primary Examiner — Robin V Webster

(74) *Attorney, Agent, or Firm* — Sorell, Lenna & Schmidt LLP; William D. Schmidt

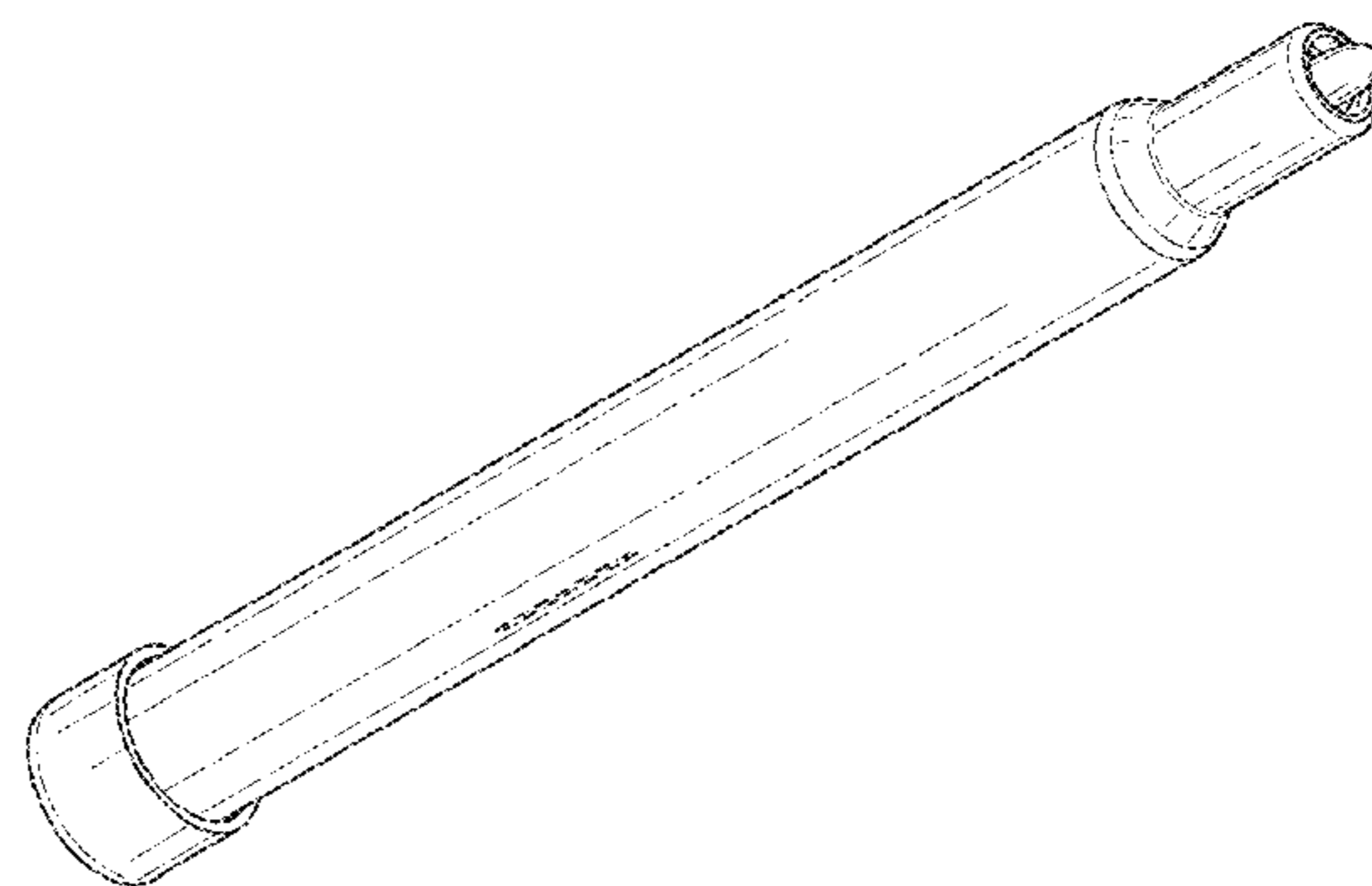
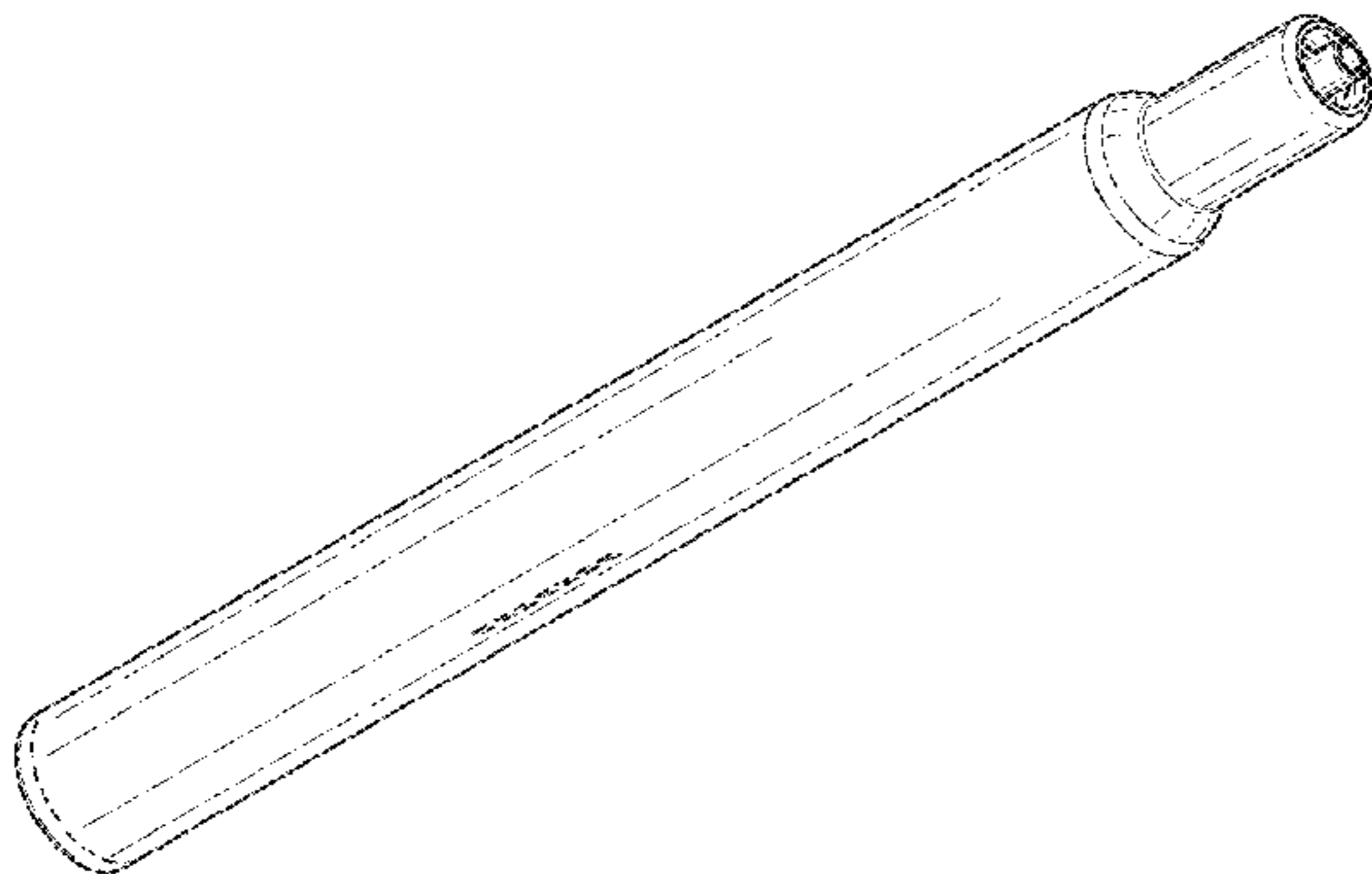
(57) **CLAIM**

The ornamental design for a water treatment cartridge, as shown and described.

DESCRIPTION

FIG. 1 is a perspective view of a water treatment cartridge; FIG. 2 is a front view of the water treatment cartridge; FIG. 3 is a back view of the water treatment cartridge; FIG. 4 is a left view of the water treatment cartridge; FIG. 5 is a right view of the water treatment cartridge; FIG. 6 is a top view of the water treatment cartridge; FIG. 7 is a bottom view of the water treatment cartridge; FIG. 8 is a cross-section view of the water treatment cartridge; FIG. 9 is a perspective view of a water treatment cartridge having end caps; FIG. 10 is a front view of the water treatment cartridge having end caps; FIG. 11 is a back view of the water treatment cartridge having end caps; FIG. 12 is a left view of the water treatment cartridge having end caps; FIG. 13 is a right view of the water treatment cartridge having end caps; FIG. 14 is a bottom view of the water treatment cartridge having end caps; FIG. 15 is a top view of the water treatment cartridge having end caps; FIG. 16 is a perspective view of the bottom inserted portion of the cartridge shown in FIGS. 1-8 for ease of illustration; FIG. 17 is a top view thereof; FIG. 18 is a side view thereof; and, FIG. 19 is a bottom view thereof. The broken lines of the figures are for illustrative purposes and form no part of the claimed design.

1 Claim, 11 Drawing Sheets



(56)

References Cited

U.S. PATENT DOCUMENTS

4,787,973	A *	11/1988	Ando	A47J 31/605 210/282	6,395,170	B1 *	5/2002	Hughes	B01D 35/02 210/232
5,073,382	A	12/1991	Antelman			6,562,241	B1	5/2003	Gritton et al.		
5,223,149	A	6/1993	Antelman			7,250,111	B2	7/2007	Doxey et al.		
5,230,624	A	7/1993	Wolf et al.			7,329,385	B1	2/2008	Radicone et al.		
5,273,649	A *	12/1993	Magnusson	C02F 1/002 210/232	7,491,330	B2	2/2009	Harvey		
D351,892	S	10/1994	Wolf et al.			7,704,399	B2	1/2010	Condit		
5,370,534	A	12/1994	Wolf et al.			8,216,462	B2 *	7/2012	O'Brien	C02F 1/002 210/200
5,401,399	A	3/1995	Magnusson et al.			8,252,185	B2	8/2012	Rajan et al.		
5,509,605	A *	4/1996	Cripe	A47G 21/188 210/266	8,281,937	B2 *	10/2012	Collins	B01D 63/02 210/257.2
5,518,613	A *	5/1996	Koczur	C02F 1/002 210/266	8,425,771	B2 *	4/2013	O'Brien	C02F 1/002 210/200
5,556,279	A	9/1996	Wolf et al.			D696,745	S *	12/2013	Hammerback	C02F 1/002 D23/209
5,882,507	A	3/1999	Tanner et al.			8,734,644	B1 *	5/2014	Krumm	C02F 1/002 210/206
D408,886	S *	4/1999	Matyushin	C02F 1/002 D23/207	D712,507	S	9/2014	Hammerback		
D432,622	S *	10/2000	Thompson	C02F 1/002 D23/209	D716,909	S	11/2014	Hammarback		
6,142,384	A *	11/2000	Shafik	A47G 21/188 239/33	D717,396	S	11/2014	Hammarback		
6,224,764	B1 *	5/2001	Matyushin	A61L 2/022 210/266	D717,397	S	11/2014	Hammarback		
6,254,894	B1	7/2001	Denkewicz et al.			9,517,948	B1 *	12/2016	Garrett	C02F 1/002
6,325,929	B1	12/2001	Bassett			D791,271	S *	7/2017	Barlow	B01D 61/145 D23/207
						9,750,834	B1	9/2017	Hammarback		
						D830,500	S *	10/2018	Yoon	A47G 21/188 D23/207
						2006/0208397	A1	9/2006	Ichikawa		

* cited by examiner

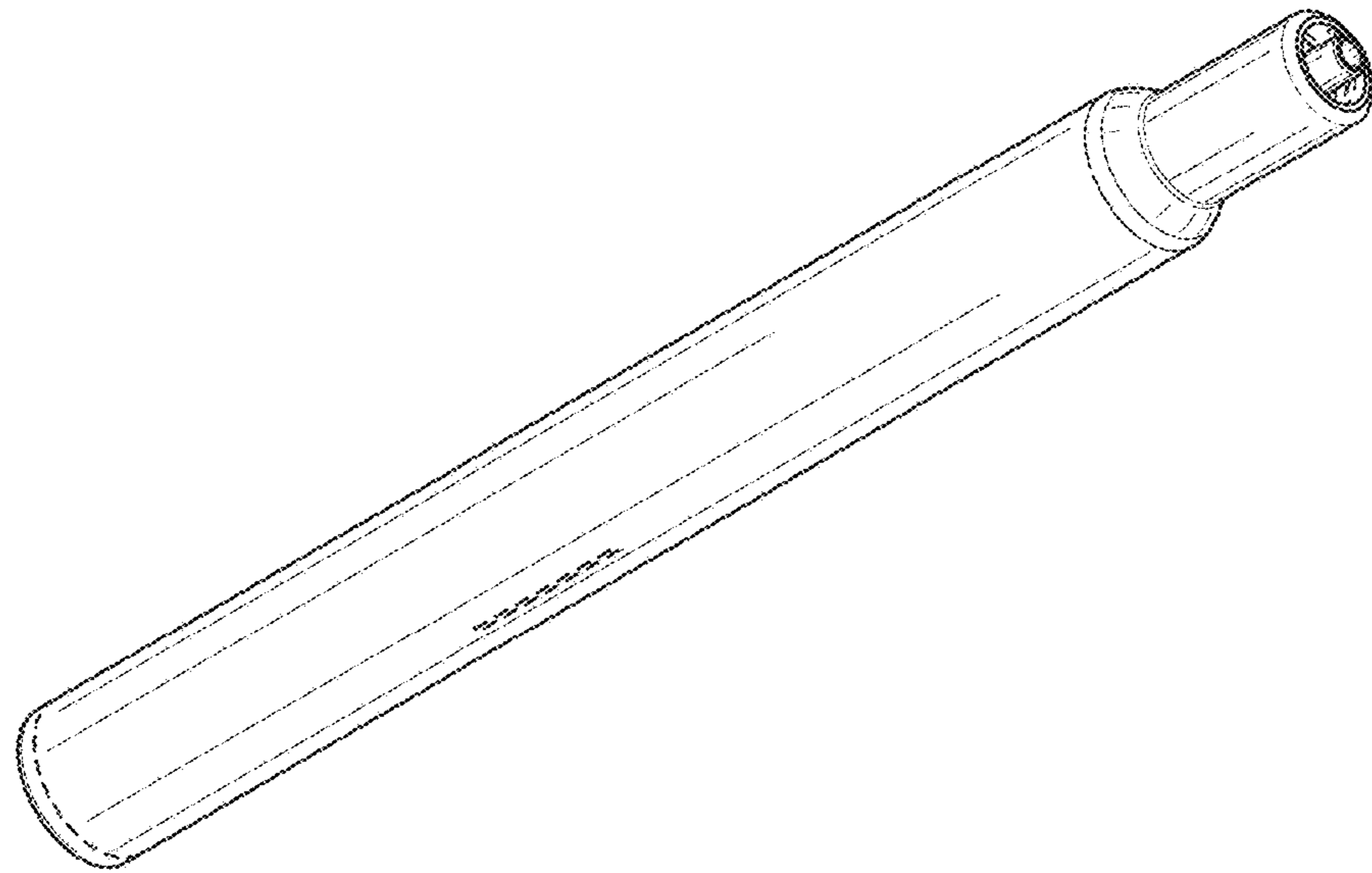


FIG. 1

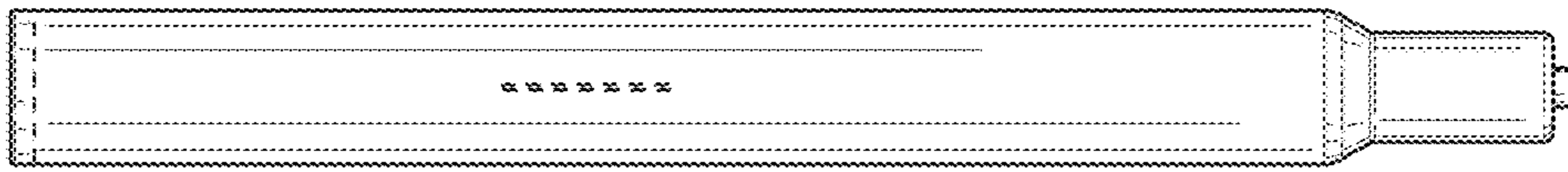


FIG. 2

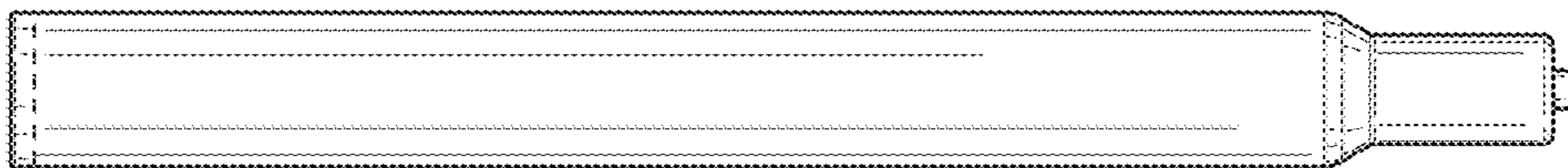


FIG. 3

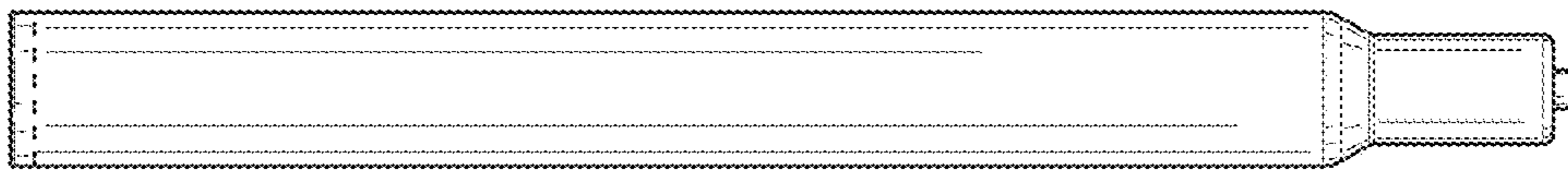


FIG. 4

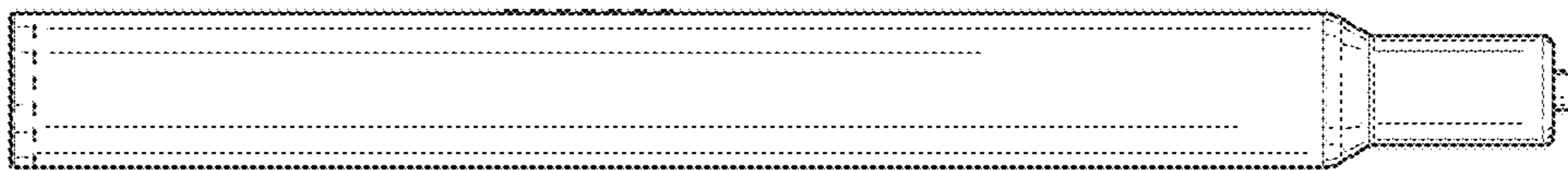


FIG. 5

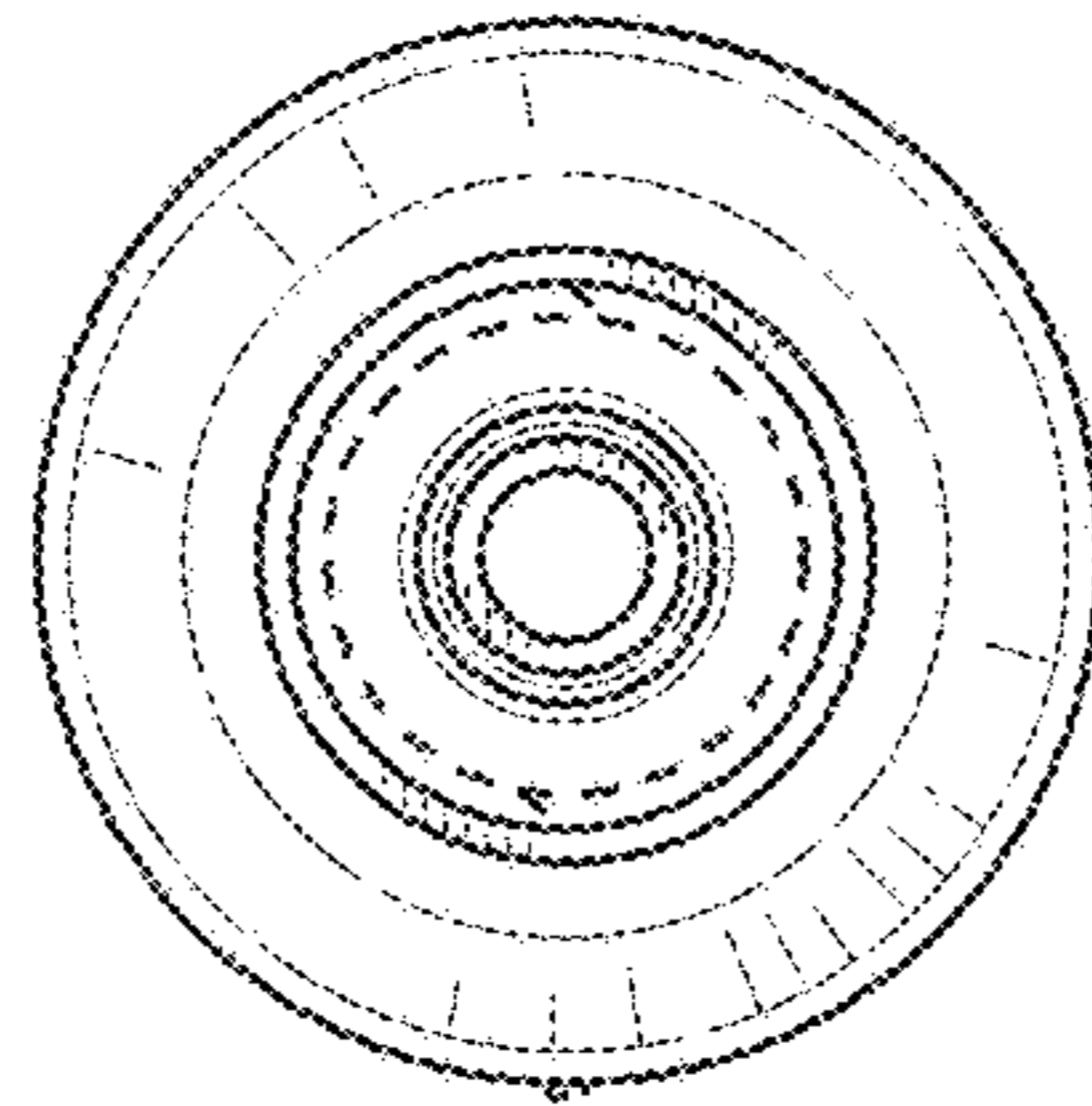


FIG. 6

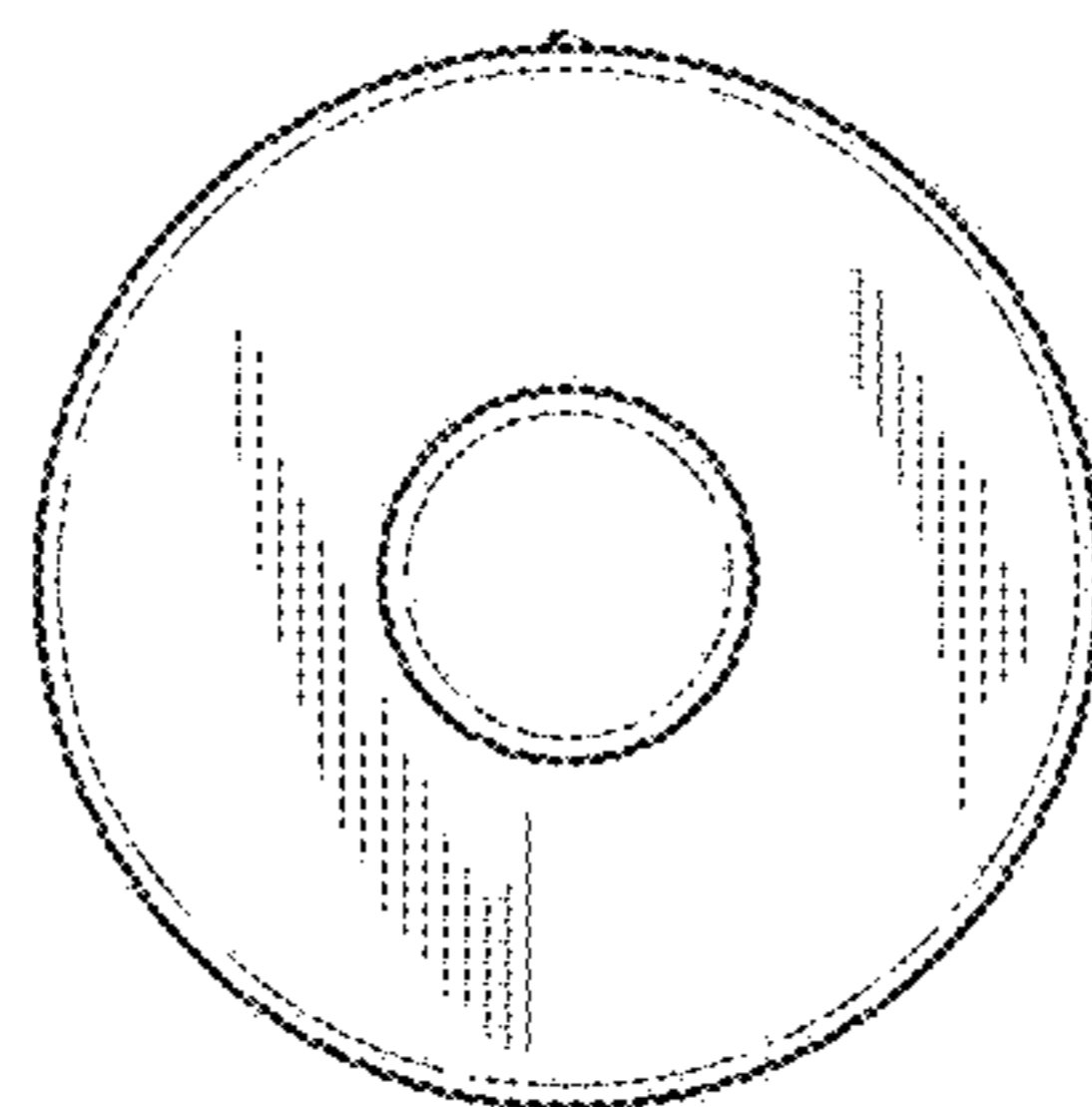


FIG. 7

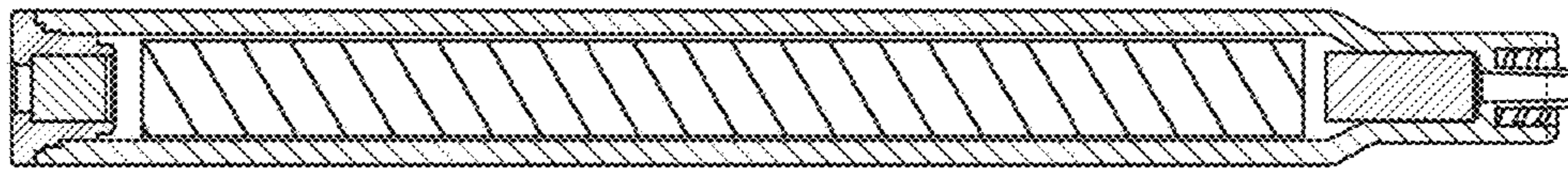


FIG. 8

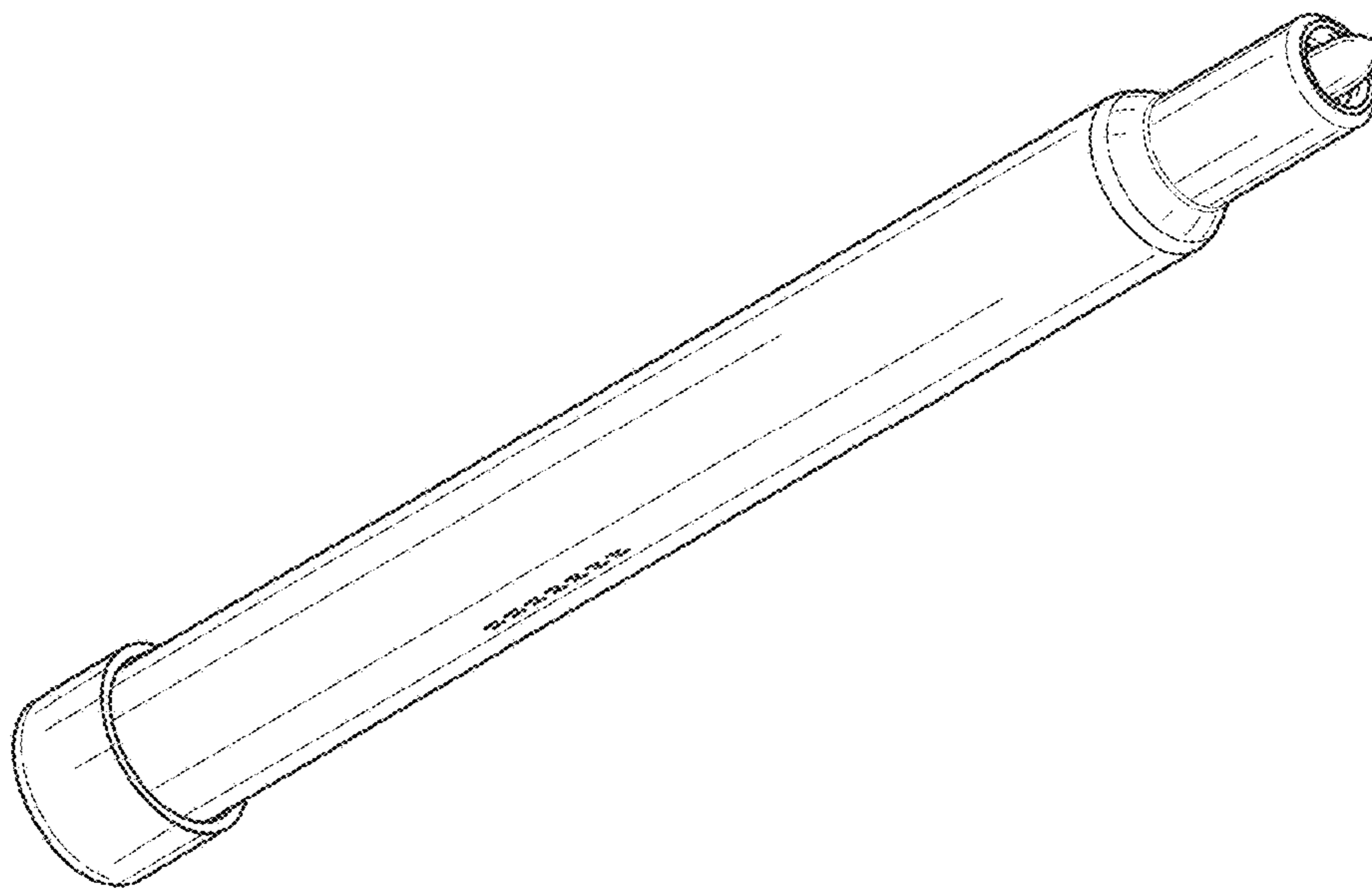


FIG. 9

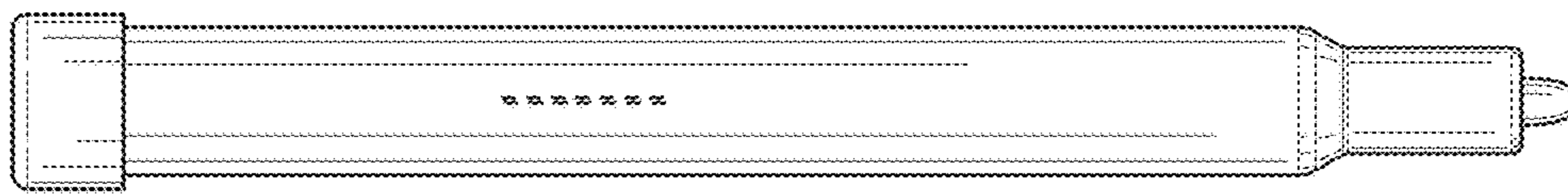


FIG. 10

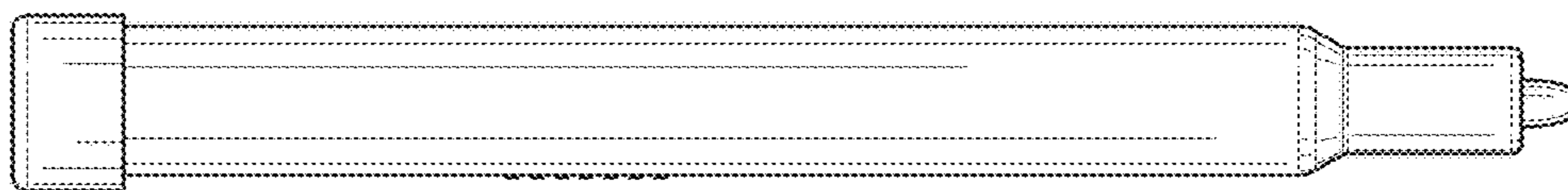


FIG. 11

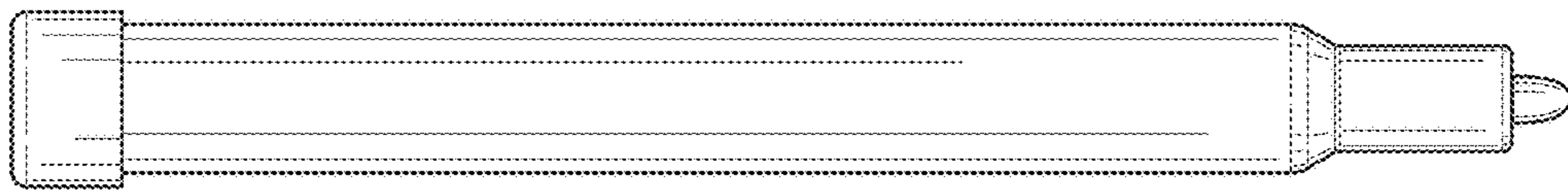


FIG. 12

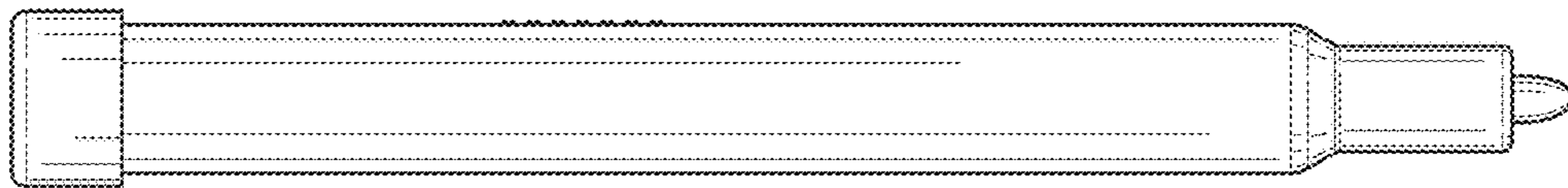


FIG. 13

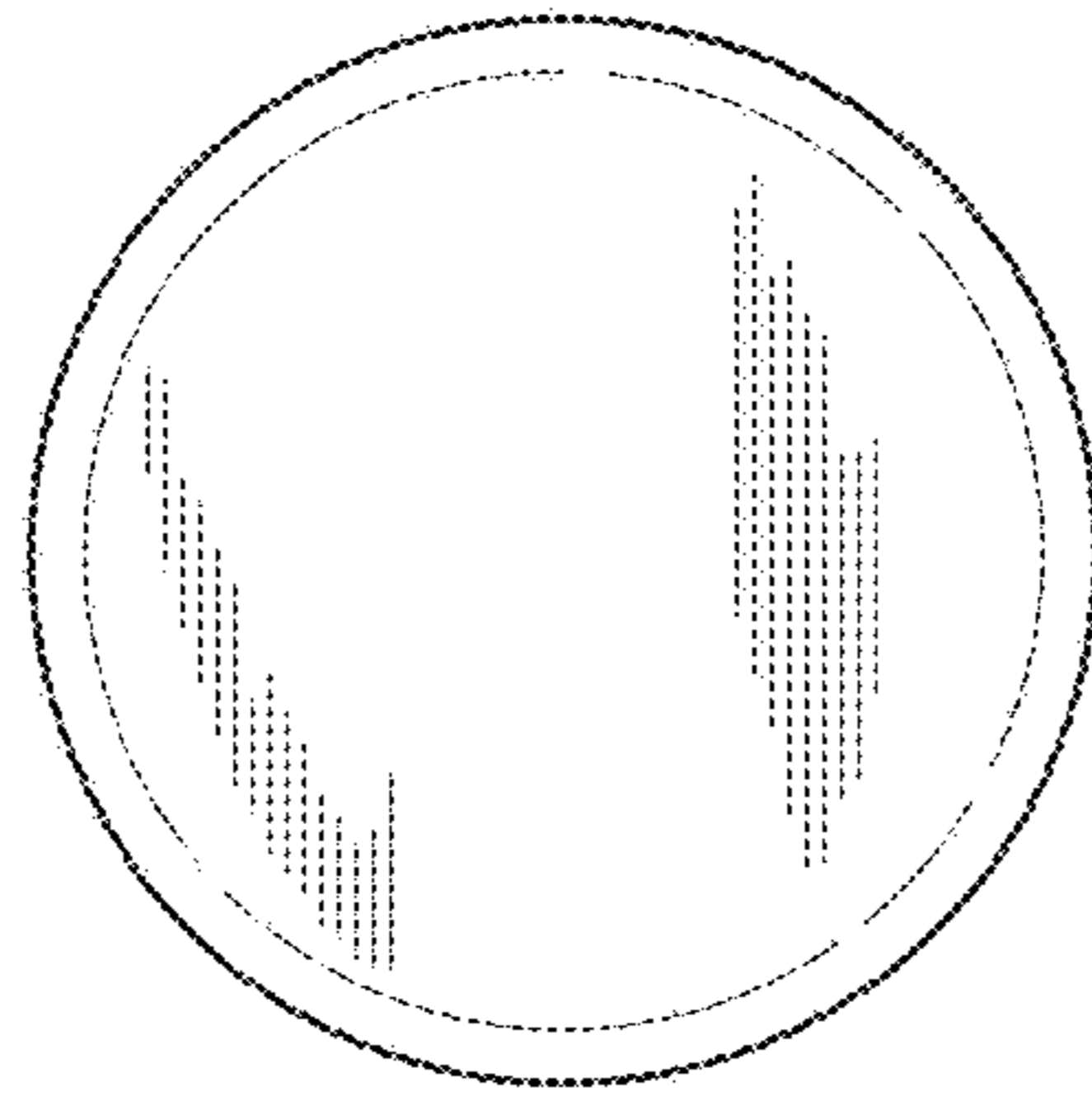


FIG. 14

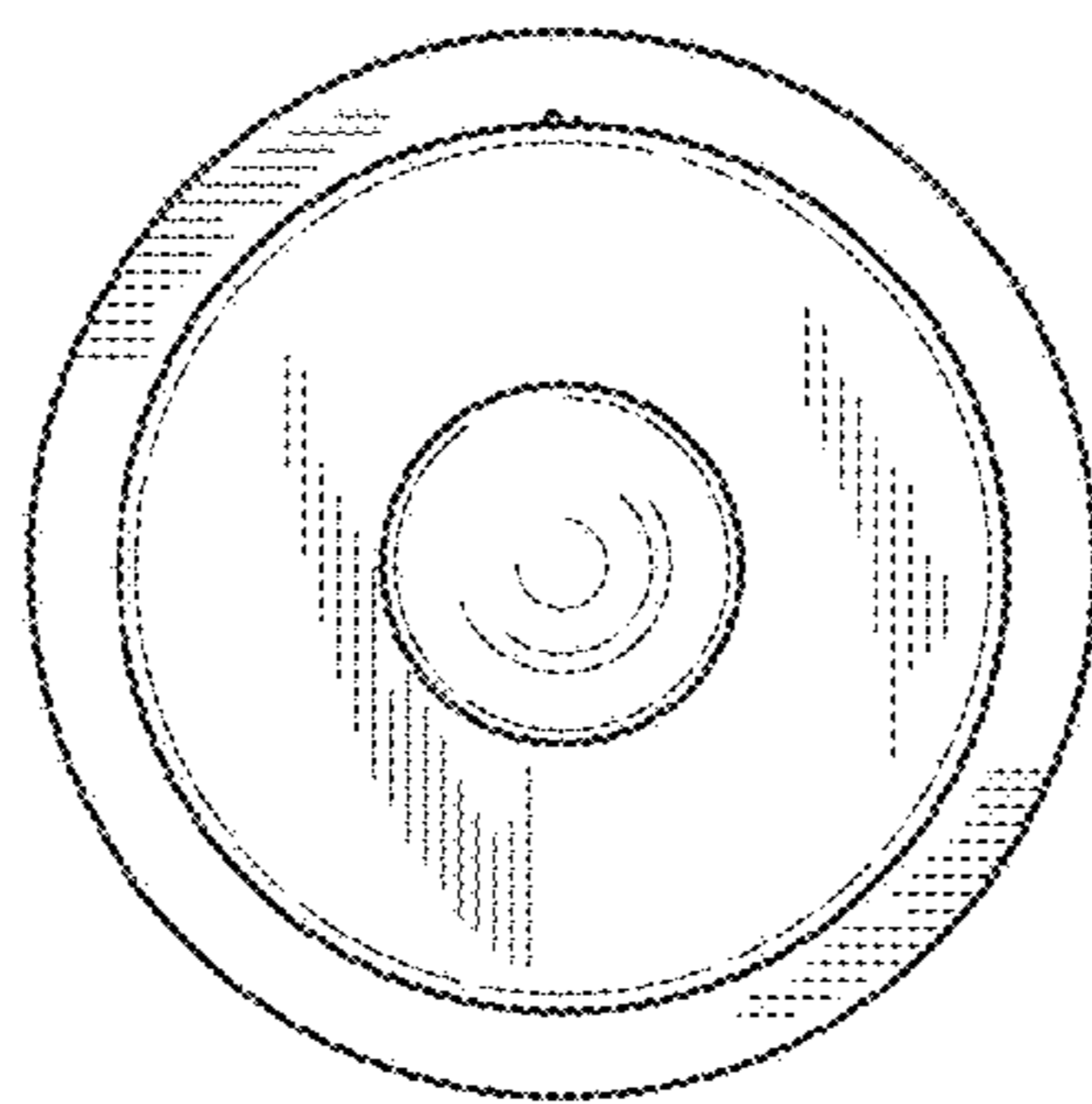


FIG. 15

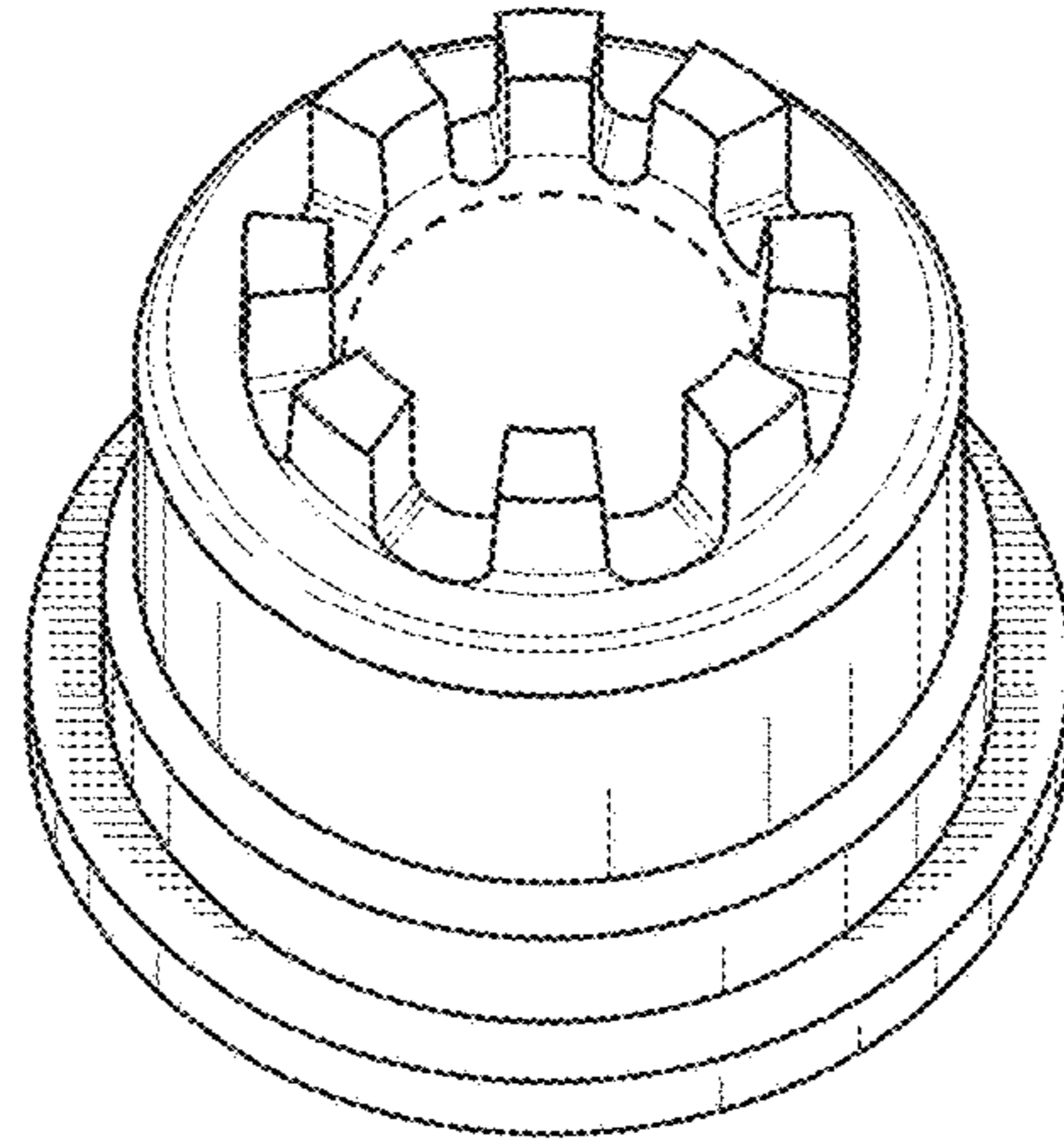


FIG. 16

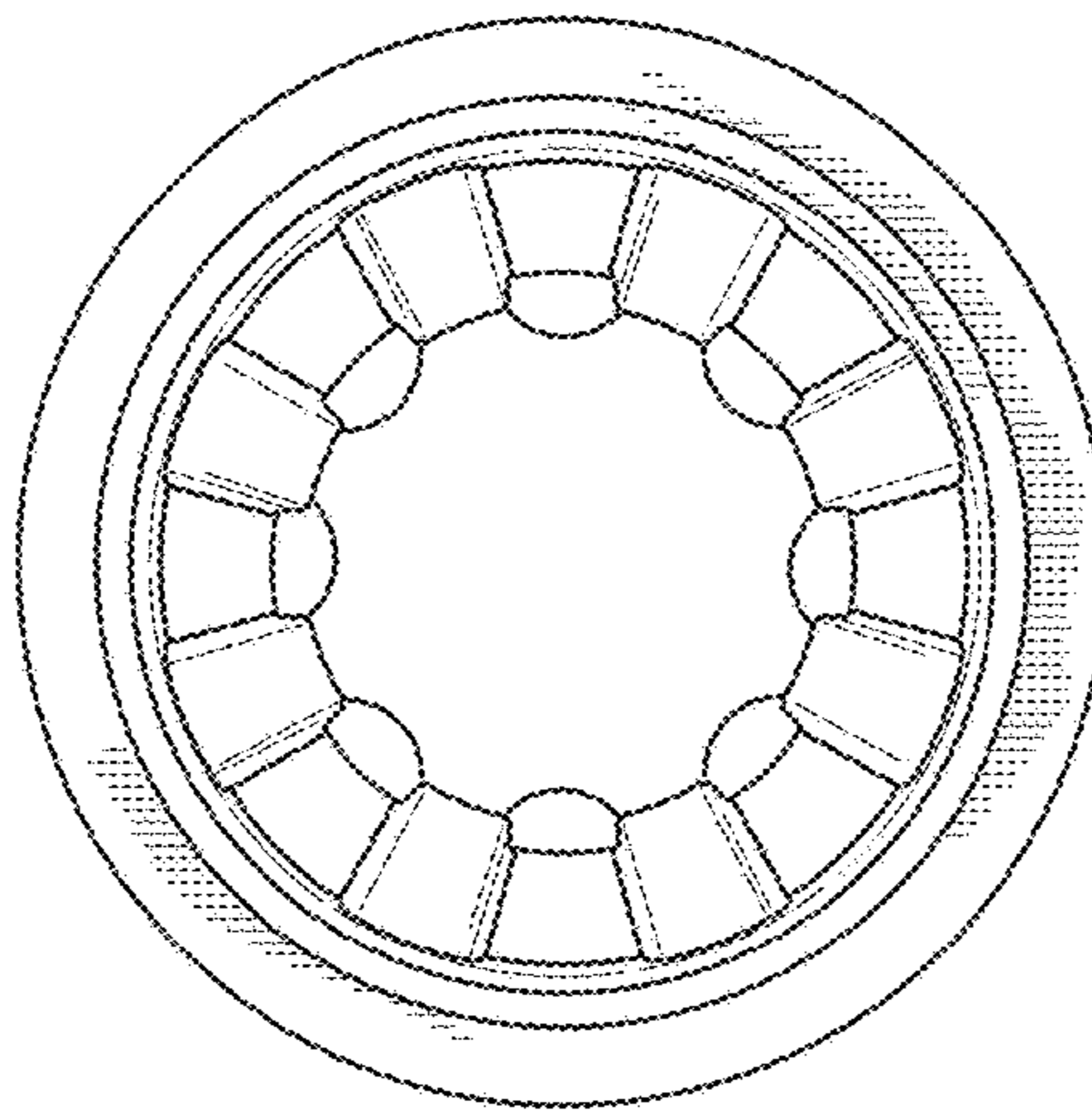


FIG. 17

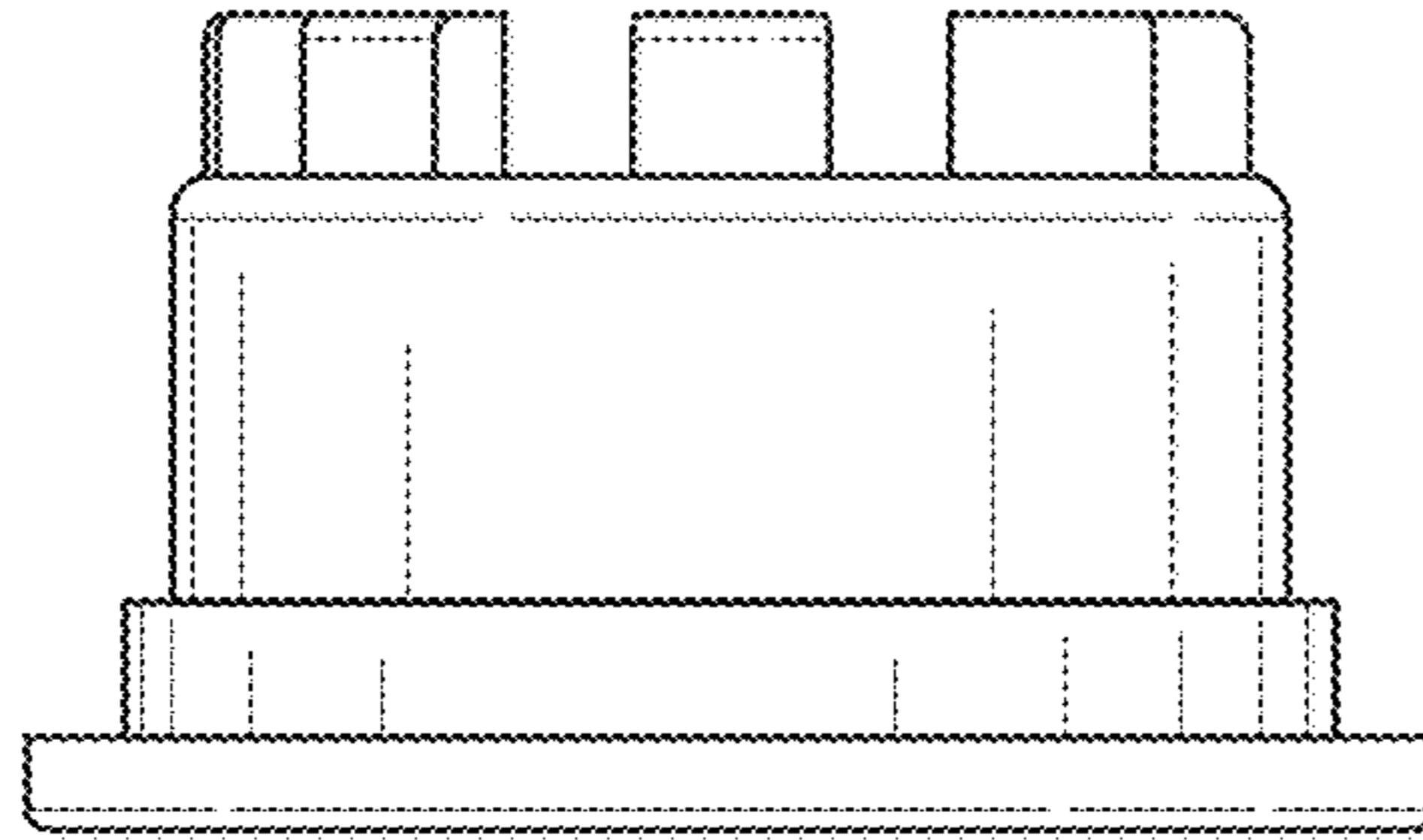


FIG. 18

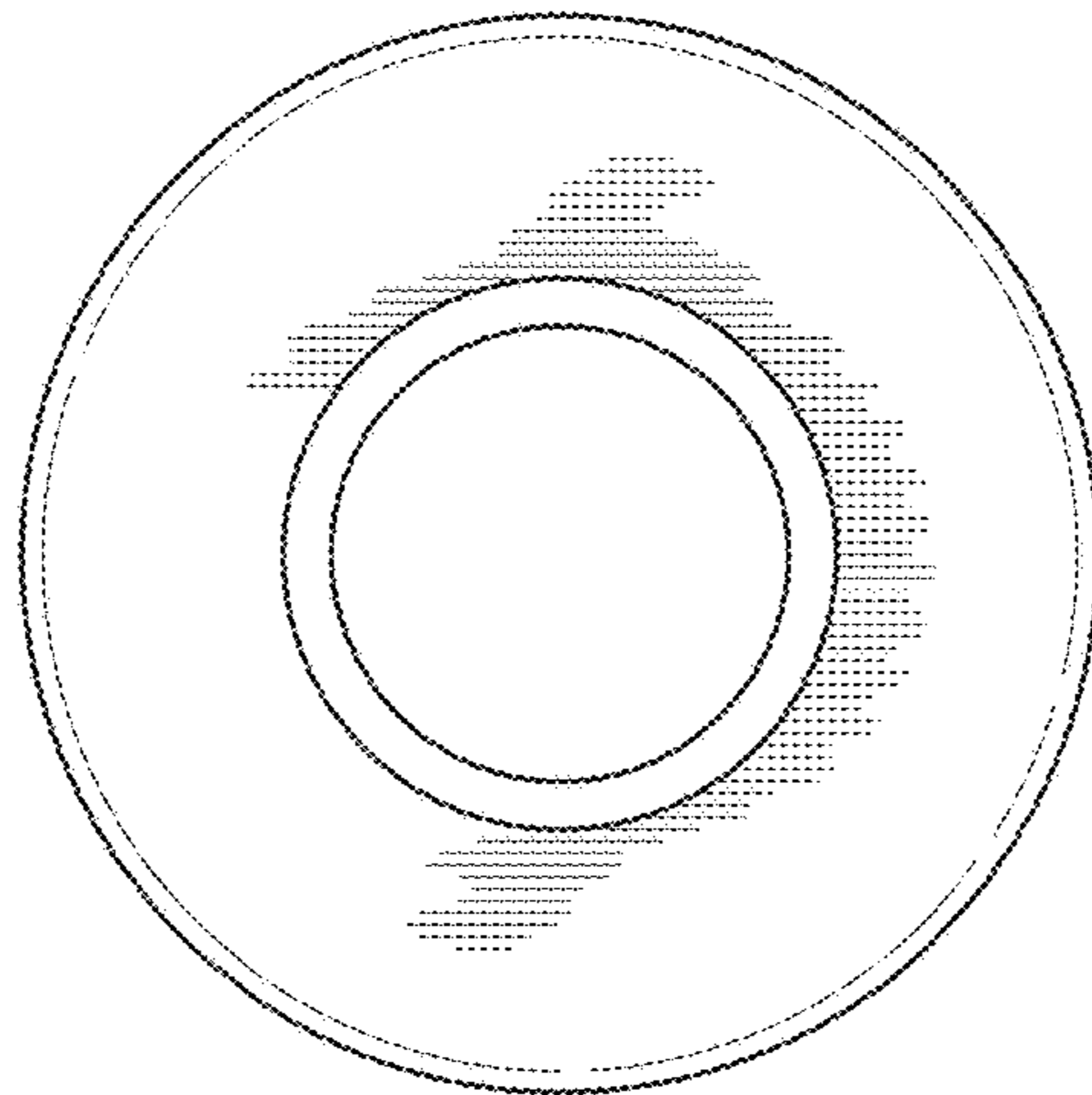


FIG. 19