



US00D858688S

(12) **United States Design Patent** (10) **Patent No.:** **US D858,688 S**
Wagner (45) **Date of Patent:** **** Sep. 3, 2019**

- (54) **FISHING POLE HANDLE**
- (71) Applicant: **Steve V. Wagner**, Riverside, CA (US)
- (72) Inventor: **Steve V. Wagner**, Riverside, CA (US)
- (**) Term: **15 Years**
- (21) Appl. No.: **29/687,820**
- (22) Filed: **Apr. 16, 2019**

Related U.S. Application Data

- (63) Continuation-in-part of application No. PCT/US2019/018633, filed on Feb. 19, 2019, which is a continuation-in-part of application No. 16/215,494, filed on Dec. 10, 2018, now Pat. No. 10,244,746.
- (51) **LOC (12) Cl.** **22-05**
- (52) **U.S. Cl.**
USPC **D22/142**
- (58) **Field of Classification Search**
USPC D22/142, 137-138; 43/18.1 R, 21.2, 43/22-23, 25.2
CPC A01K 77/00; A01K 87/06; A01K 87/08
See application file for complete search history.

(56) **References Cited**

U.S. PATENT DOCUMENTS

2,158,104	A	5/1939	Bowen	
2,244,408	A	6/1941	Thompson	
3,367,056	A	2/1968	Johnson	
4,190,977	A	3/1980	Casper	
4,485,580	A	12/1984	Ohmura	
4,539,773	A	9/1985	Eldridge	
4,756,114	A	7/1988	Ohmura	
4,802,299	A	2/1989	Ohmura	
D357,968	S *	5/1995	Ohmura	D22/142
D390,307	S *	2/1998	Ohmura	D22/142
D400,962	S *	11/1998	Pingel	D22/142

6,065,240	A	5/2000	Paddock	
D428,107	S *	7/2000	Liberato	D22/142
6,105,301	A	8/2000	Ohmura	
6,295,755	B1	10/2001	Macaluso	
6,357,639	B1	3/2002	Williams	
6,493,982	B1	12/2002	Macaluso	
6,748,691	B2	6/2004	Doucette	
7,533,485	B2	5/2009	Nyland	
7,707,766	B2	5/2010	Millen et al.	
D635,637	S *	4/2011	Pekin	D22/138
8,307,579	B2	11/2012	Nyland	
D672,429	S *	12/2012	Lin	D22/142
9,220,248	B2	12/2015	McCord	
D834,141	S *	11/2018	Thomas	D22/142
10,179,401	B2	1/2019	Nyland	
2002/0069574	A1 *	6/2002	Ohmura	A01K 87/06 43/22

(Continued)

Primary Examiner — Catherine R Oliver-Garcia
(74) *Attorney, Agent, or Firm* — Kirk A. Buhler; Buhler & Associates

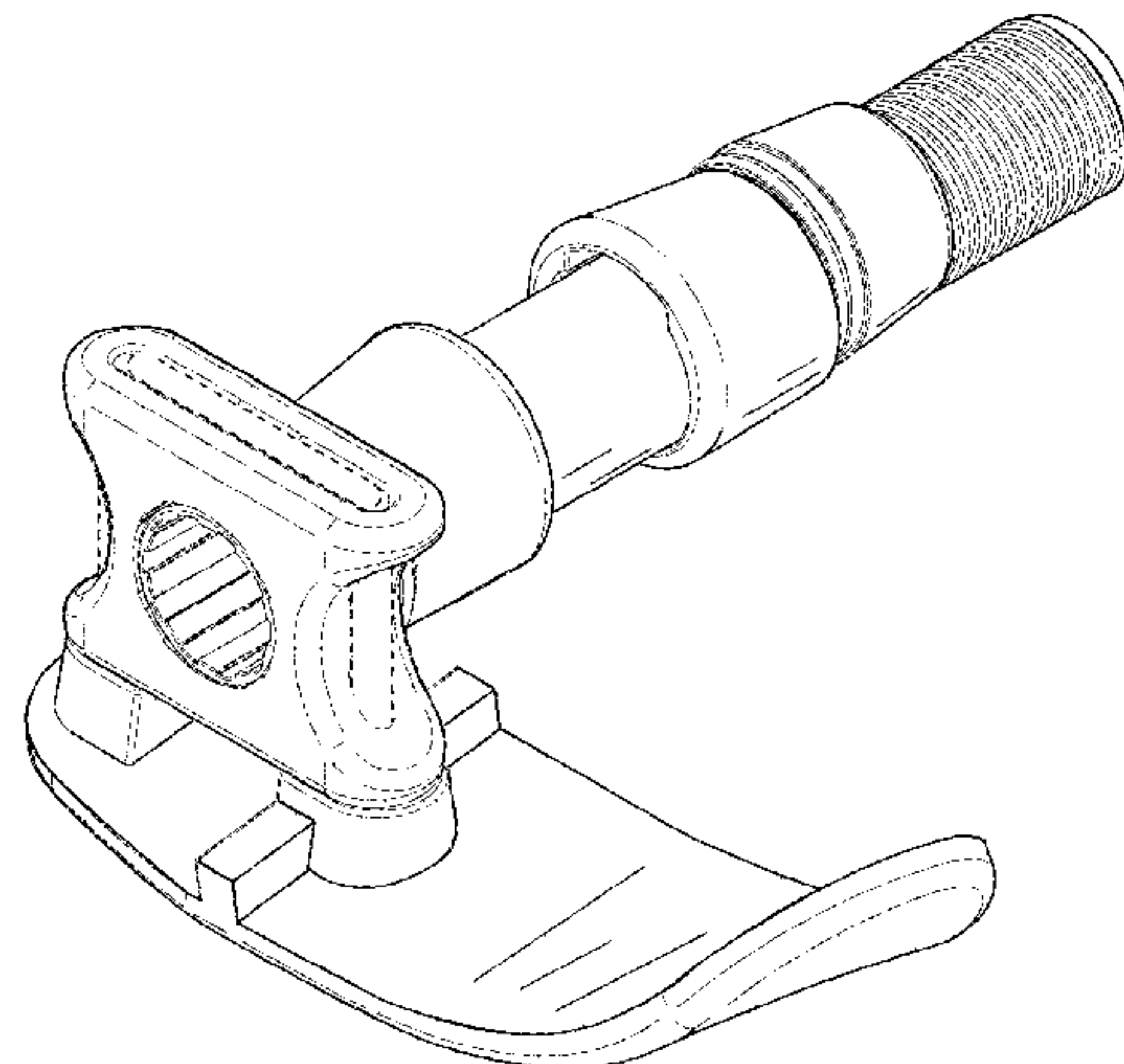
(57) **CLAIM**

The ornamental design for a fishing pole handle, as shown and described.

DESCRIPTION

FIG. 1 is a top perspective view of a fishing pole handle, showing my new design;
FIG. 2 is a left side elevation view thereof;
FIG. 3 is a right side elevation view thereof;
FIG. 4 is a front elevation view thereof;
FIG. 5 is a rear elevation view thereof;
FIG. 6 is a top plan view thereof;
FIG. 7 is a bottom view thereof; and,
FIG. 8 is a top perspective view of a fishing pole handle, in a mirror image configuration.
The broken lines in FIG. 1 depict environmental subject matter and form no part of the claimed design.

1 Claim, 6 Drawing Sheets



(56)

References Cited

U.S. PATENT DOCUMENTS

2005/0000145 A1* 1/2005 Ohmura A01K 87/06
43/22
2014/0250630 A1 9/2014 Nugent

* cited by examiner

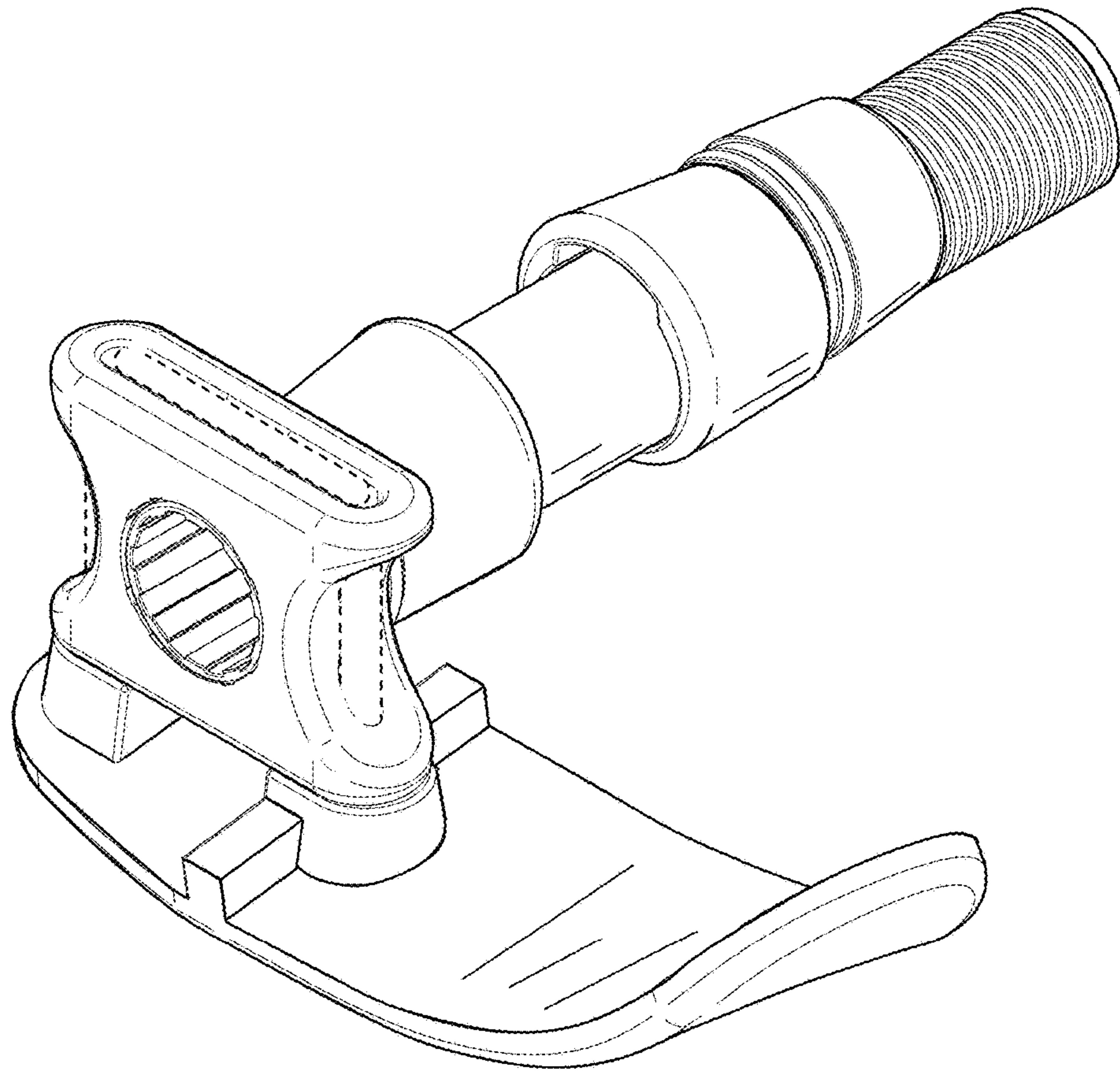


FIG. 1

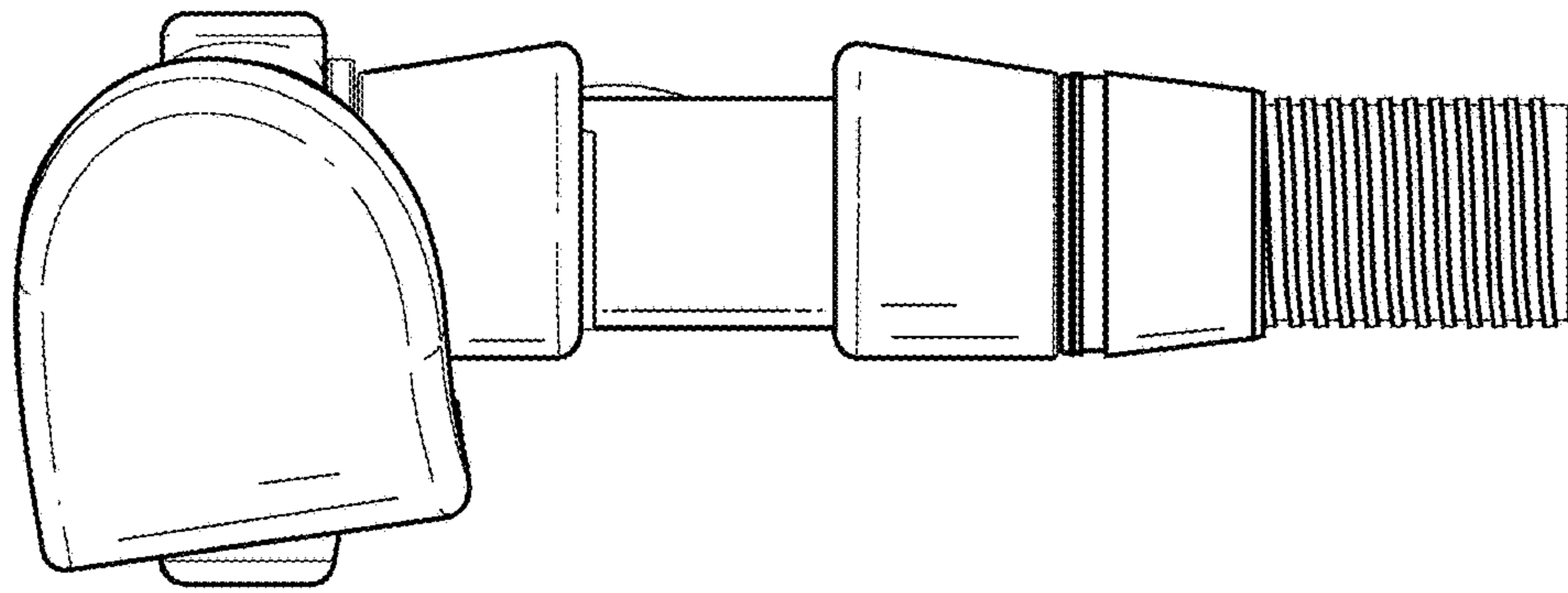


FIG. 2

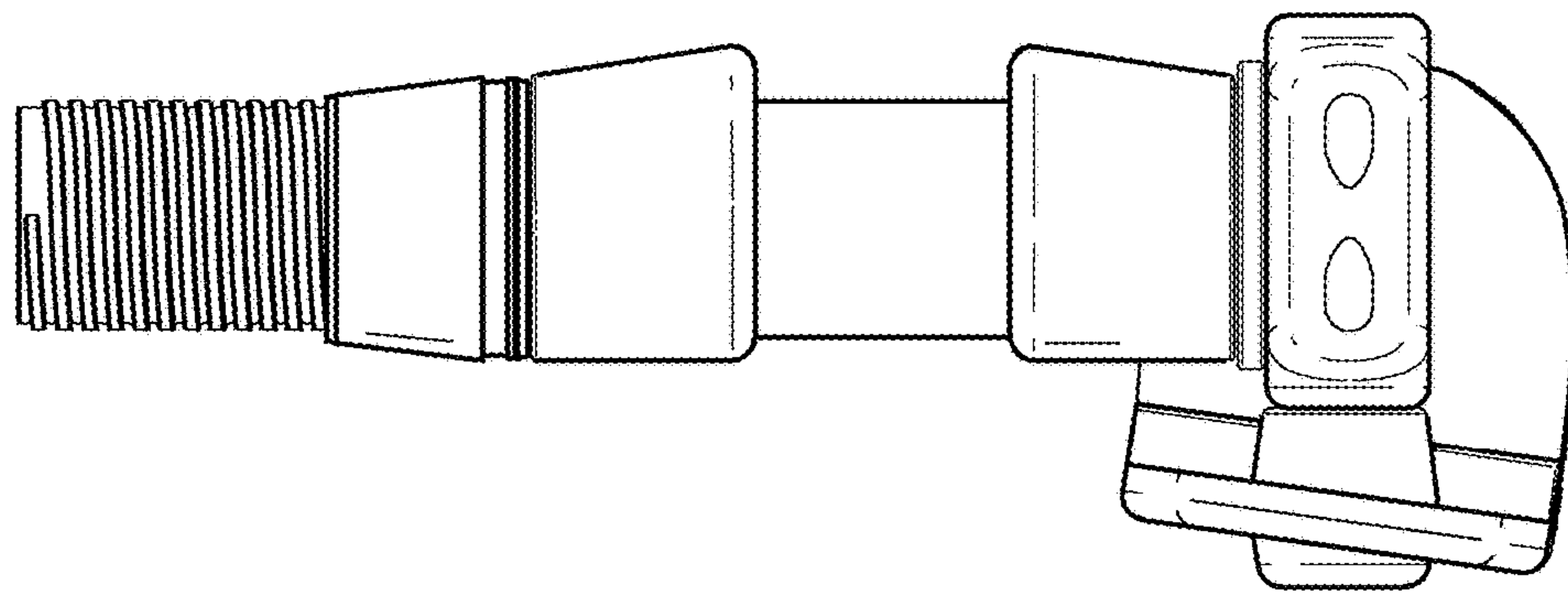


FIG. 3

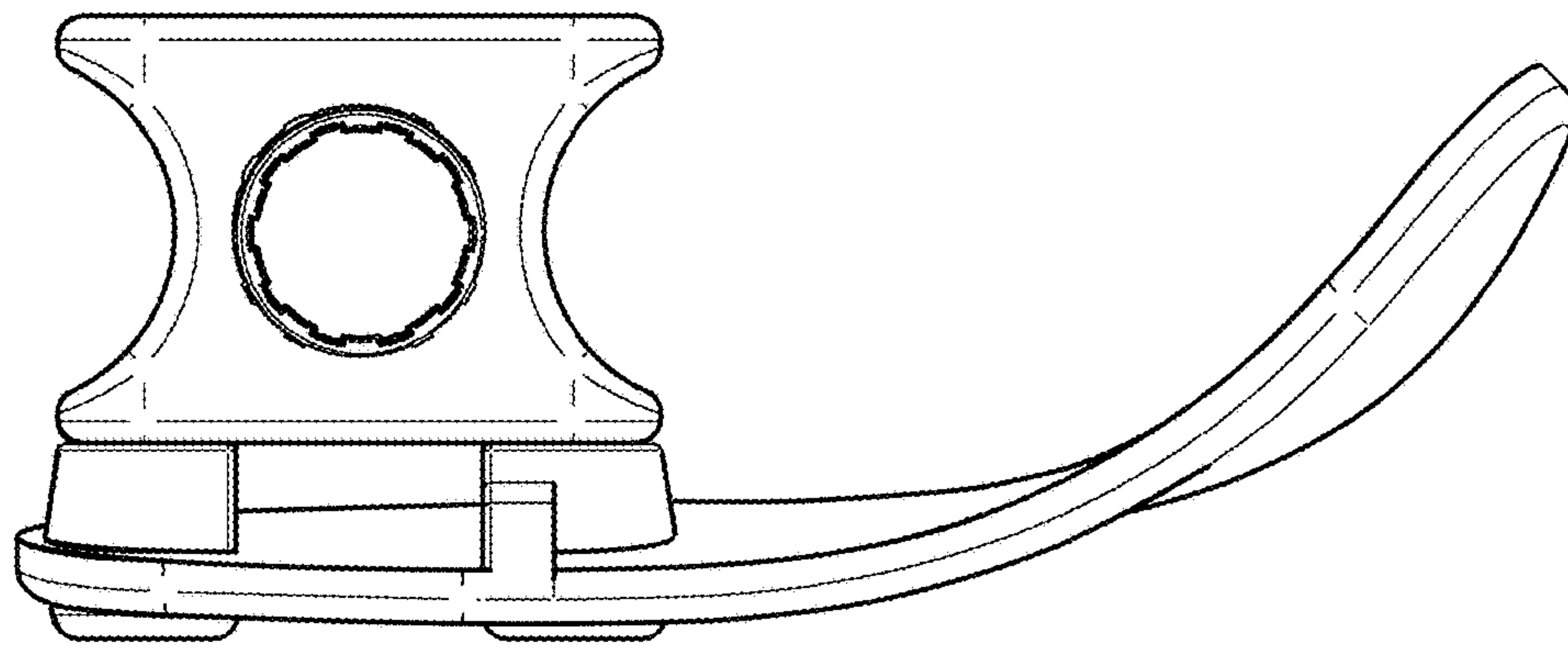


FIG. 4

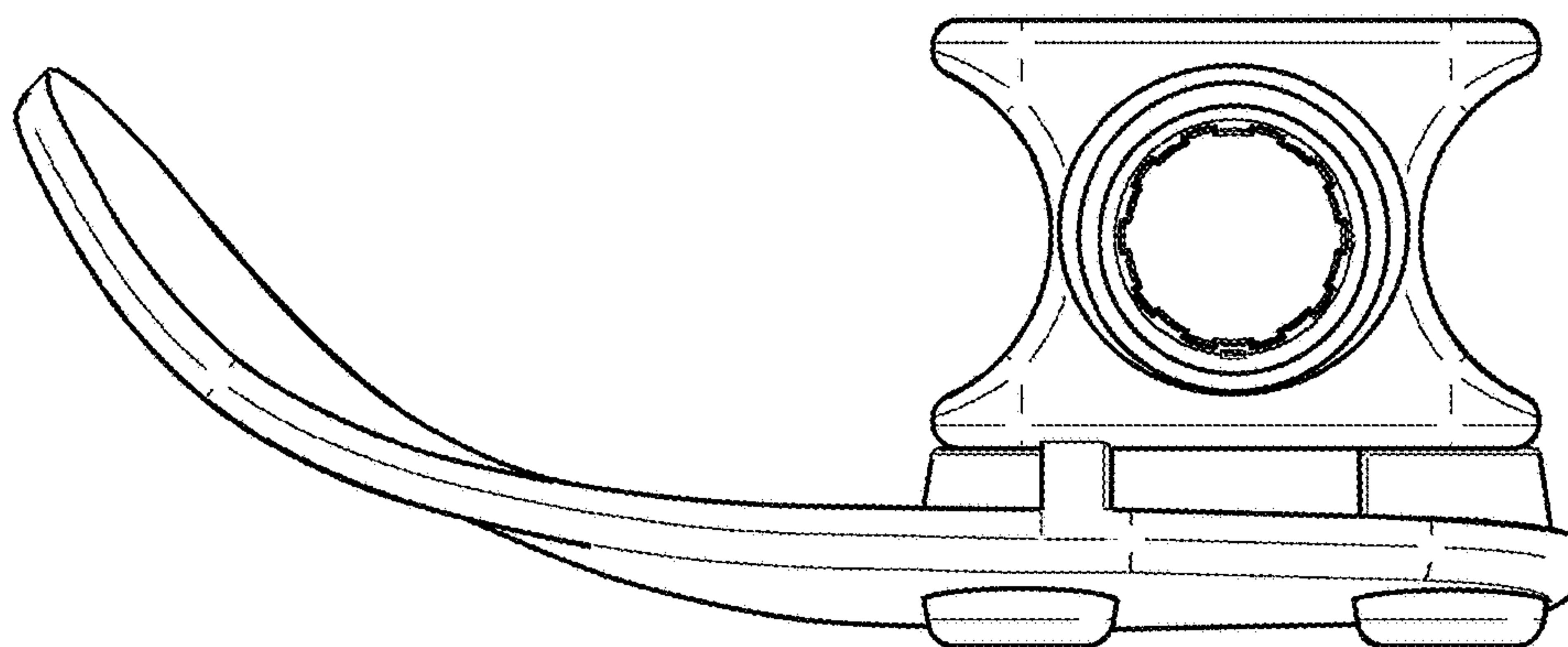


FIG. 5

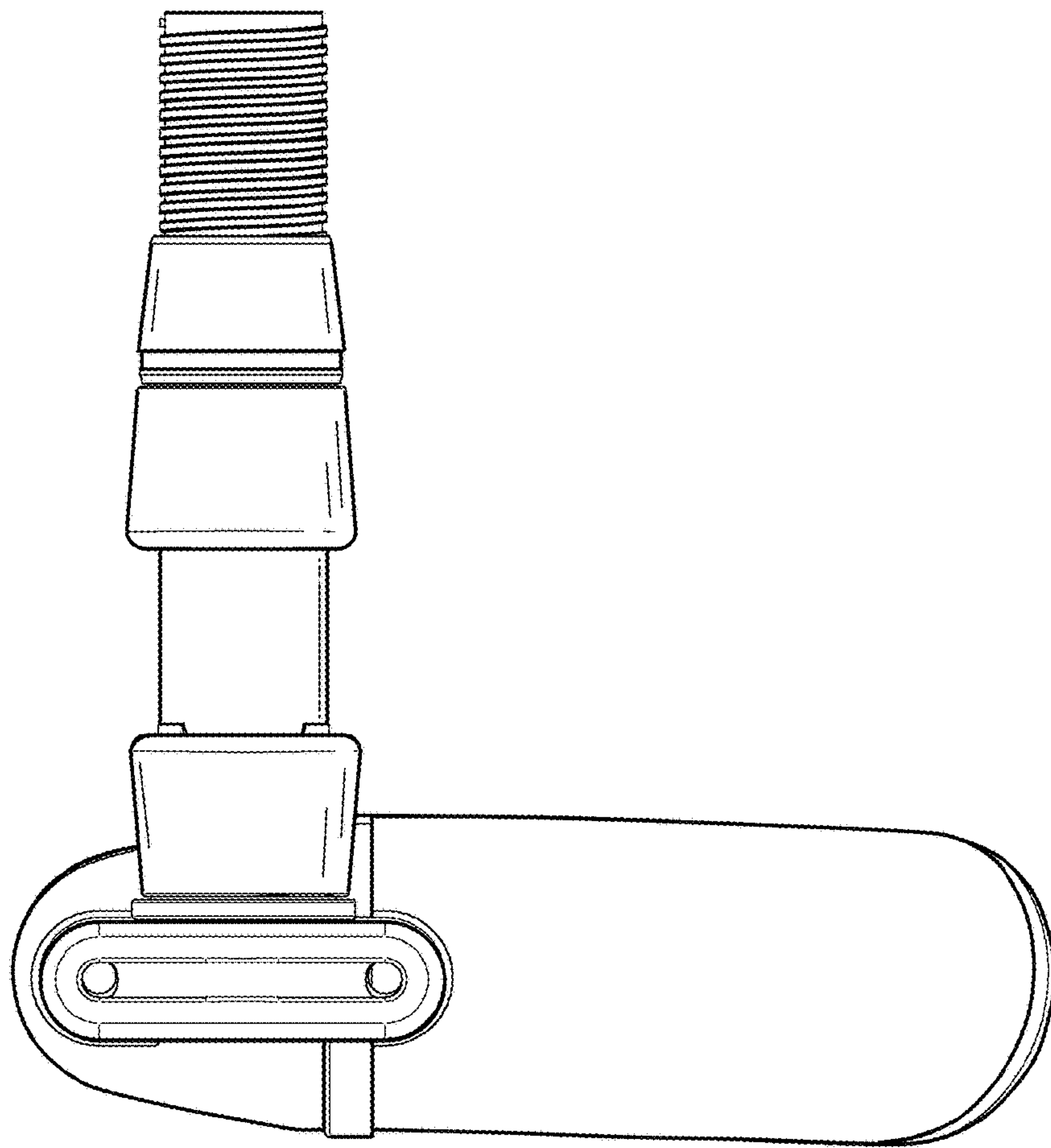


FIG. 6

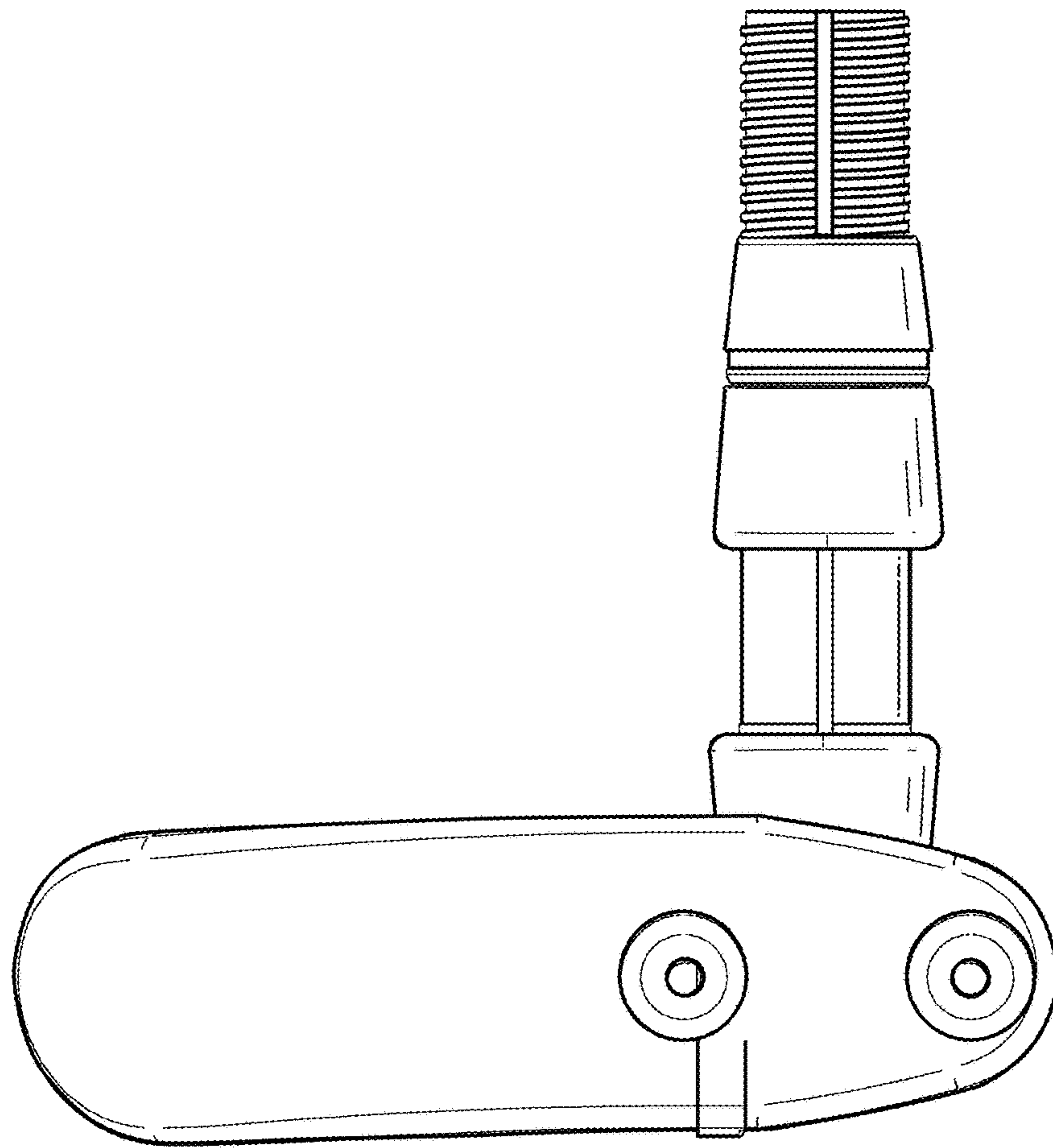


FIG. 7

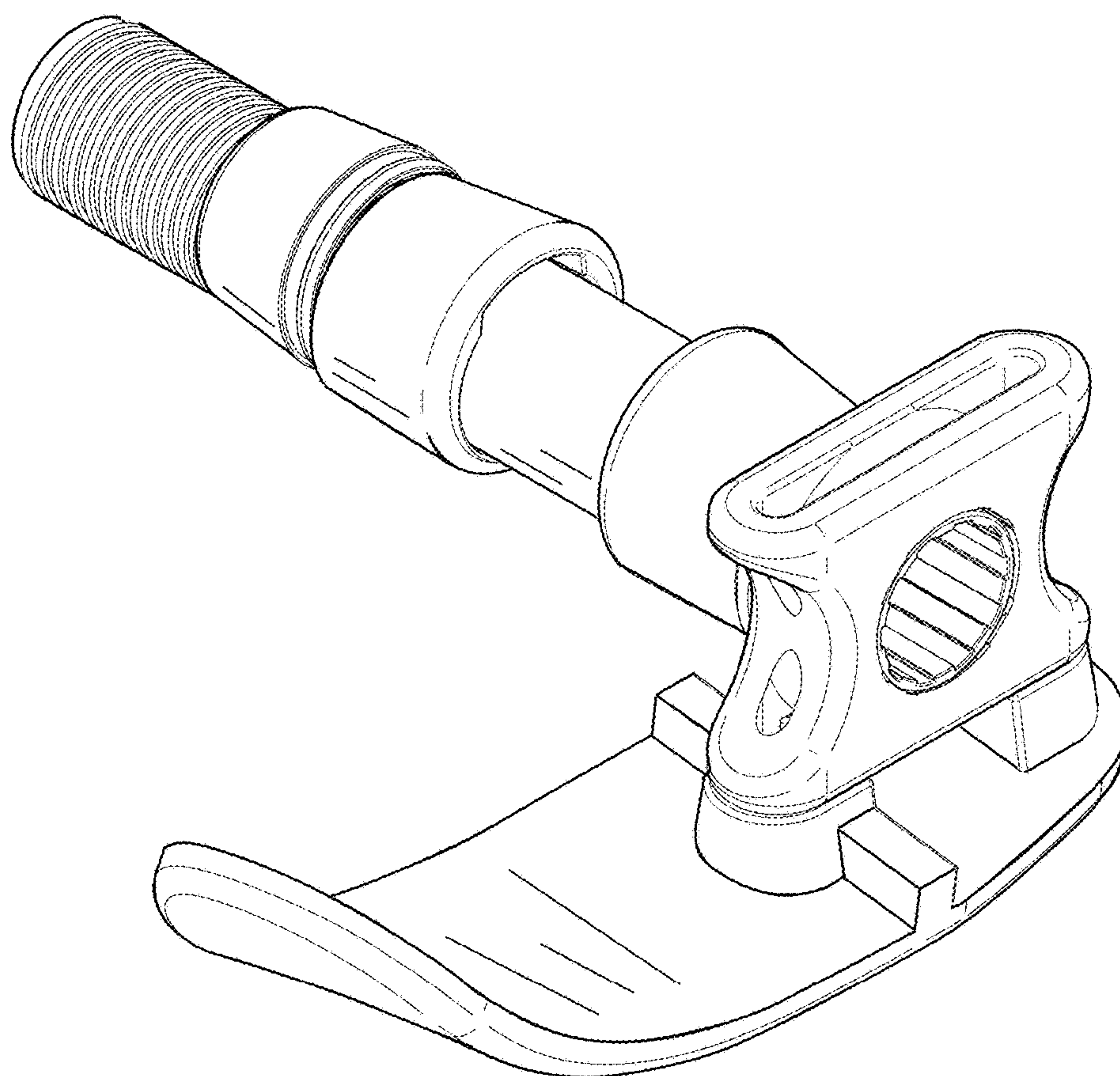


FIG. 8