



US00D858687S

(12) **United States Design Patent** (10) **Patent No.:** **US D858,687 S**  
**LaRoy** (45) **Date of Patent:** **\*\* Sep. 3, 2019**

- (54) **SPINNING BAIT HOLDER** 5,617,669 A 4/1997 Levey  
D459,781 S \* 7/2002 Rowley ..... D22/121  
(71) Applicant: **Kirk LaRoy**, Kalama, WA (US) 6,557,293 B2 5/2003 Klapka  
6,922,937 B1 8/2005 Gilbert  
(72) Inventor: **Kirk LaRoy**, Kalama, WA (US) 7,174,669 B1 2/2007 Kallas  
7,520,086 B2 \* 4/2009 Melhorn ..... A01K 91/06  
43/42.06  
(\*\*) Term: **15 Years** 8,474,174 B2 7/2013 Norman  
D786,391 S \* 5/2017 Phelps ..... D22/136  
(21) Appl. No.: **29/647,711** 9,770,015 B2 9/2017 Slocum  
D832,973 S \* 11/2018 Keeble ..... D22/136  
(22) Filed: **May 15, 2018** (Continued)

- (51) **LOC (12) Cl.** ..... **22-05**  
(52) **U.S. Cl.**  
USPC ..... **D22/136**  
(58) **Field of Classification Search**  
USPC ..... D22/134, 136, 121, 145–146; 43/25.2,  
43/44.9, 17.5, 41.2, 4.5, 43.11, 42.06,  
43/44.99, 44.87, 43.1, 17, 44.4, 43.14,  
43/44.91  
CPC ..... A01K 91/06; A01K 93/00; A01K 93/02;  
A01K 97/02; A01K 97/04; A01K 97/05;  
A01K 95/00; A01K 83/06  
See application file for complete search history.

(56) **References Cited**

U.S. PATENT DOCUMENTS

- 2,709,317 A \* 5/1955 Pease, Sr. .... A01K 97/02  
43/44.99  
2,740,224 A 4/1956 Heiderich  
2,741,067 A \* 4/1956 Cox ..... A01K 95/00  
43/44.9  
2,745,206 A 5/1956 Gaw  
2,777,238 A \* 1/1957 Taylor ..... A01K 93/02  
43/17  
3,688,430 A 9/1972 Balch  
D226,849 S \* 5/1973 Woolworth ..... D22/121  
3,974,591 A 8/1976 Ray  
4,426,804 A 1/1984 Hutson  
4,603,502 A 8/1986 MacDonald  
D299,946 S \* 2/1989 Dorsey ..... D22/134  
4,998,371 A 3/1991 Driesel

Primary Examiner — Catherine R Oliver-Garcia

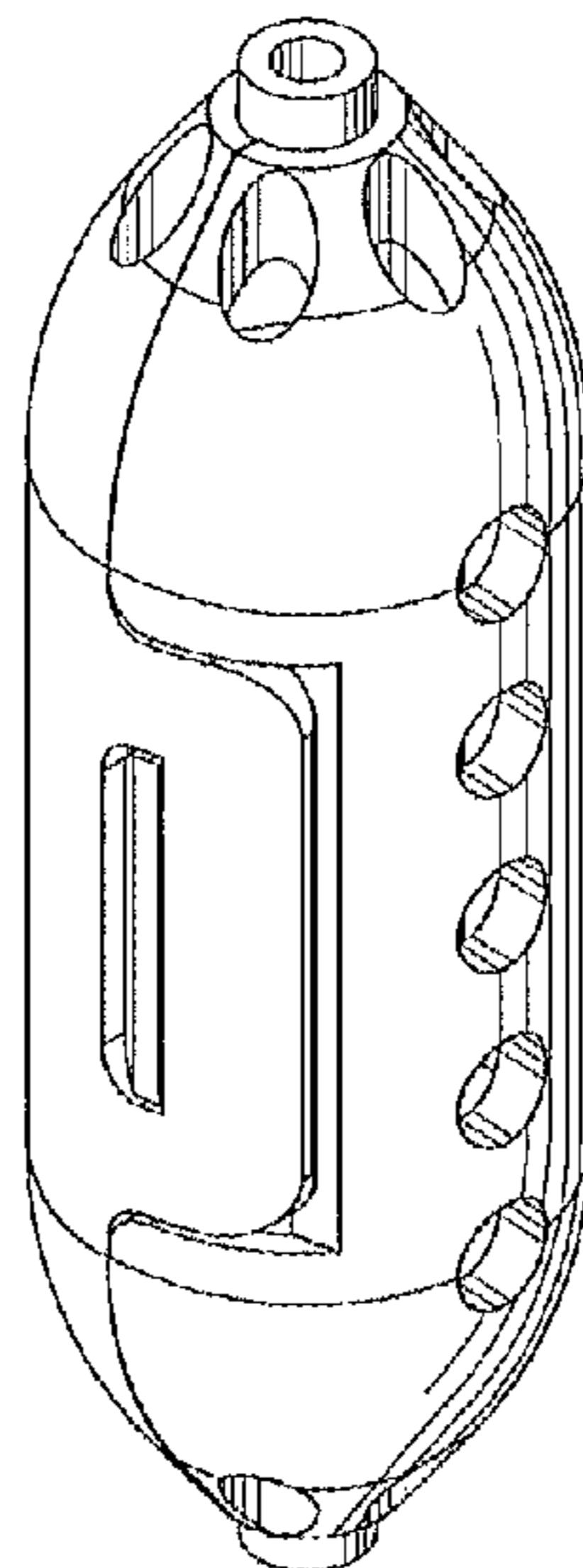
(57) **CLAIM**

The ornamental design for the spinning bait holder, as shown and described.

**DESCRIPTION**

FIG. 1 is a front, right perspective view of a spinning bait holder, showing my new design.  
FIG. 2 is a rear, left perspective view of the invention.  
FIG. 3 is a right side elevational view of the invention.  
FIG. 4 is a rear elevational view of the invention.  
FIG. 5 is a left side elevational view of the invention.  
FIG. 6 is a front elevational view of the invention.  
FIG. 7 is a top plan view of the invention.  
FIG. 8 is a bottom plan view of the invention.  
FIG. 9 is a left side sectional view of the invention as shown in FIG. 6.  
FIG. 10 is a right side elevational view showing the bait holder in an expanded, open configuration.  
FIG. 11 is a top plan view of the invention shown in FIG. 10; and,  
FIG. 12 is a right side elevational view of the invention attached to a fishing line attached to a hook.  
The broken lines in FIG. 12 depict environmental structure and are for illustrative purposes only and form no part of the claimed design.

**1 Claim, 3 Drawing Sheets**



(56)

**References Cited**

U.S. PATENT DOCUMENTS

2004/0068916 A1\* 4/2004 Harris ..... A01K 97/02  
43/44.99  
2006/0218848 A1 10/2006 Melhorn et al.  
2008/0236020 A1 10/2008 Murrell  
2011/0296736 A1 12/2011 Sundstrom

\* cited by examiner

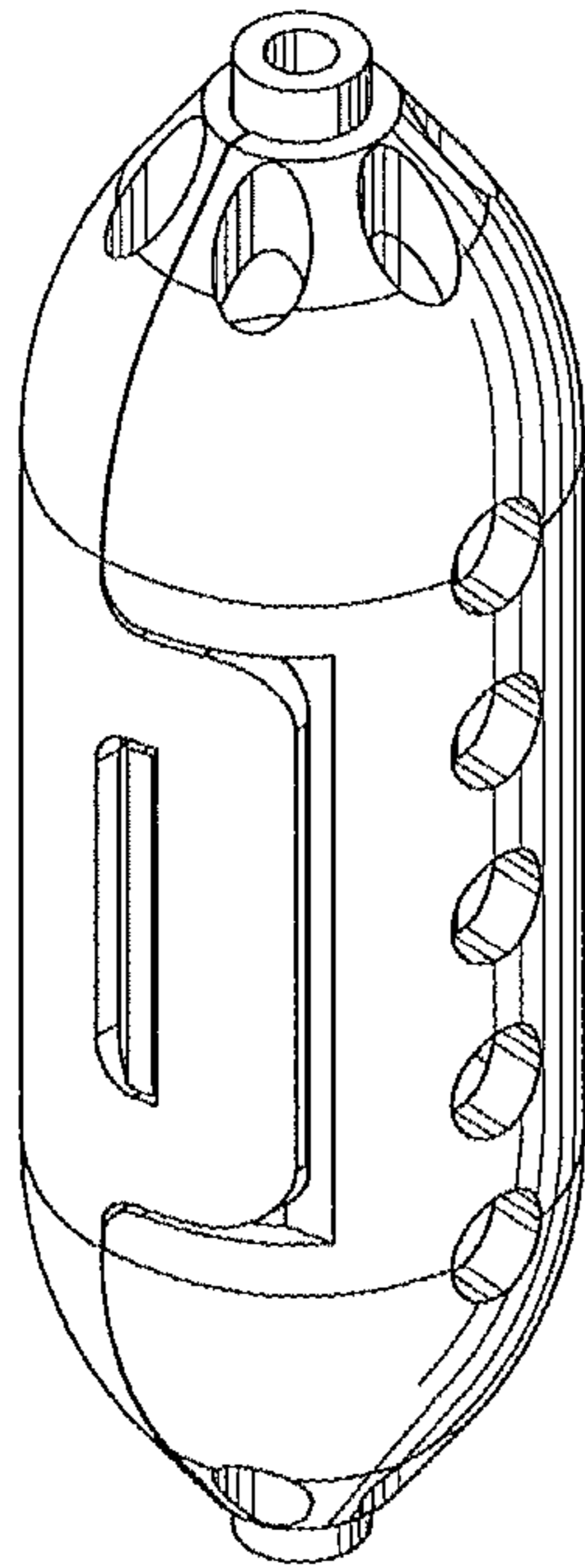


Fig. 1

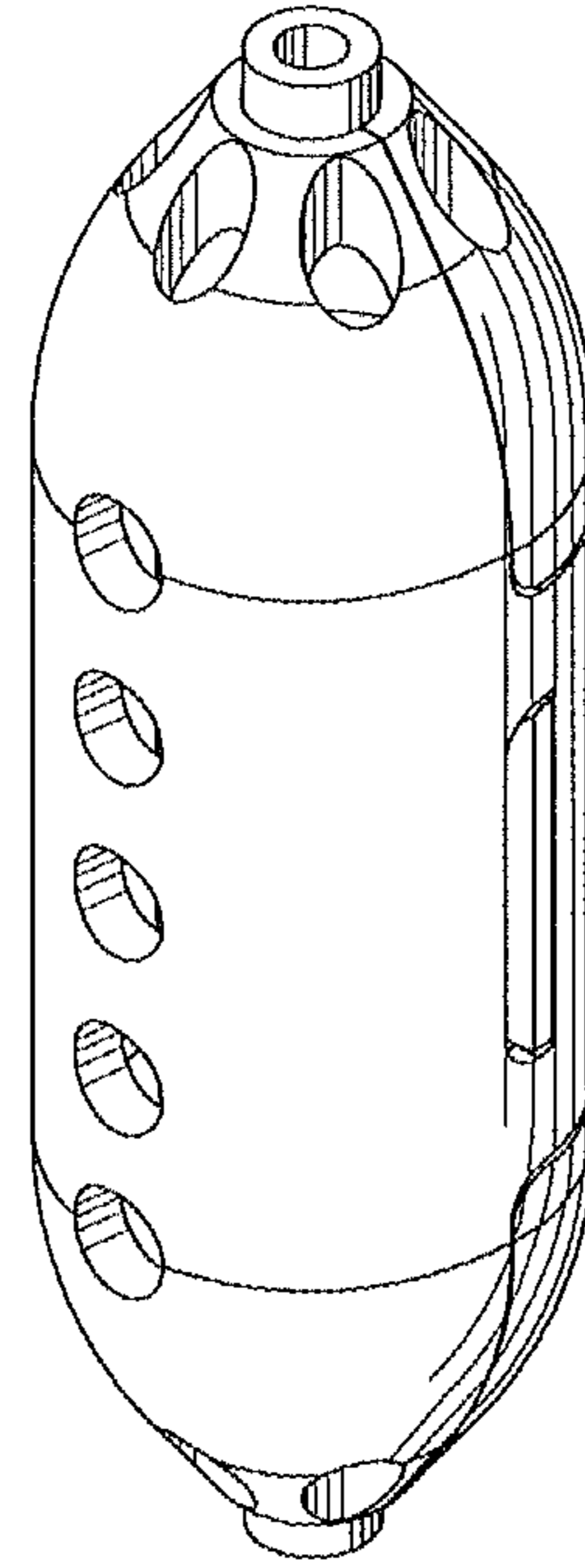


Fig. 2

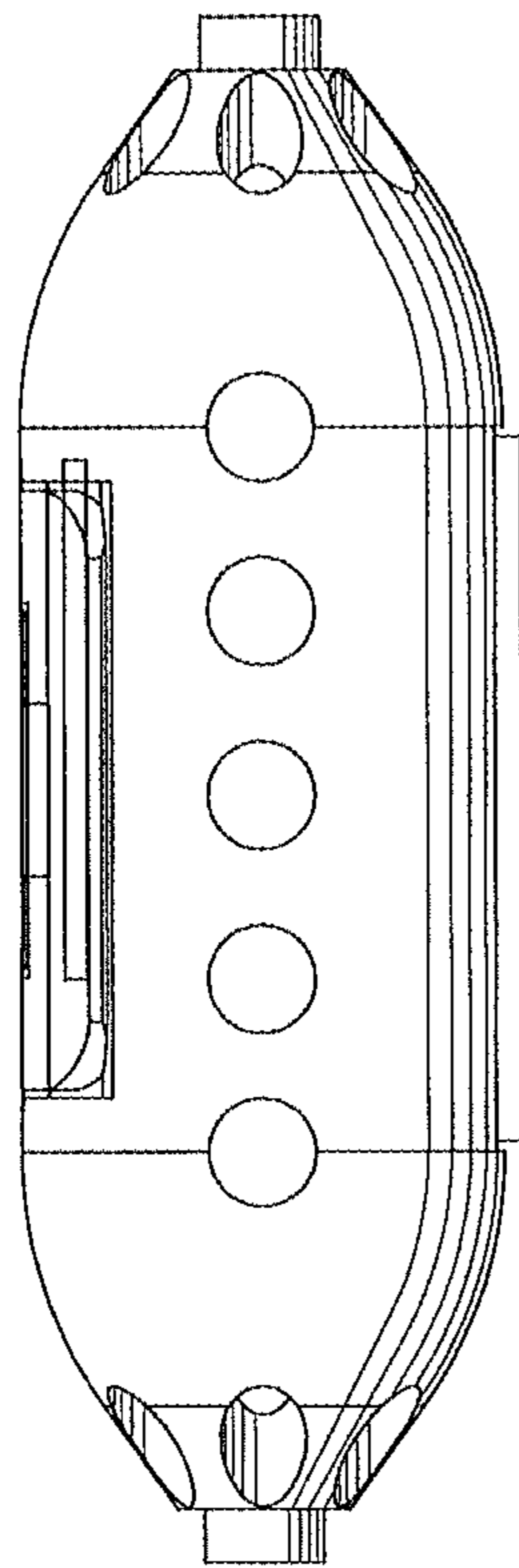


Fig. 3

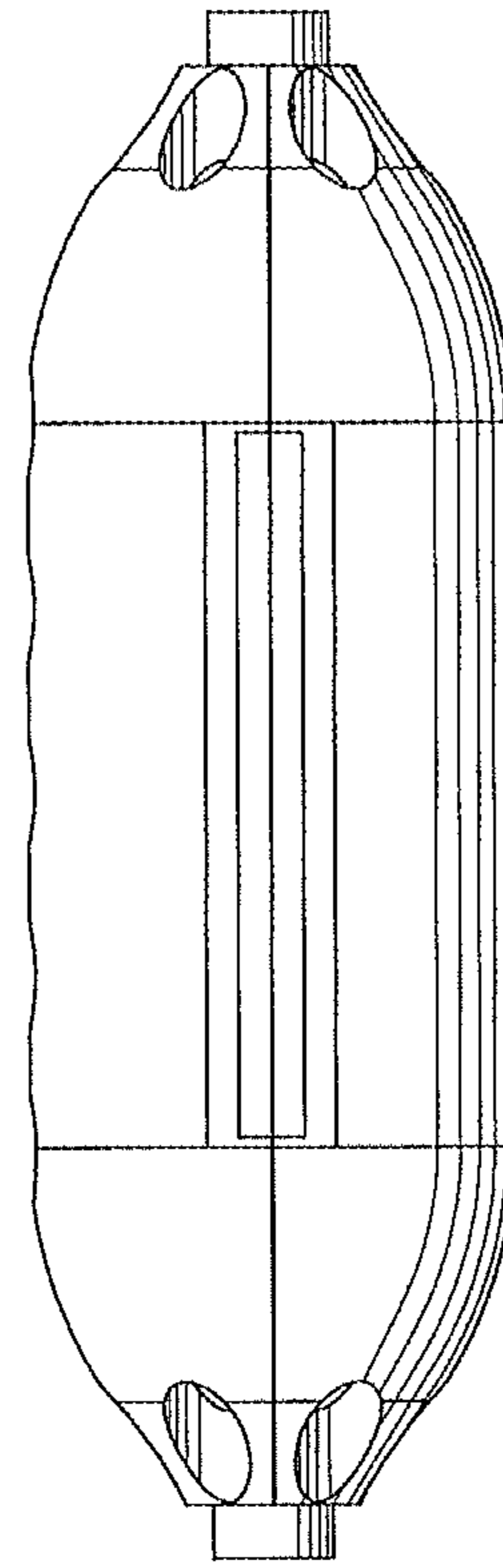


Fig. 4

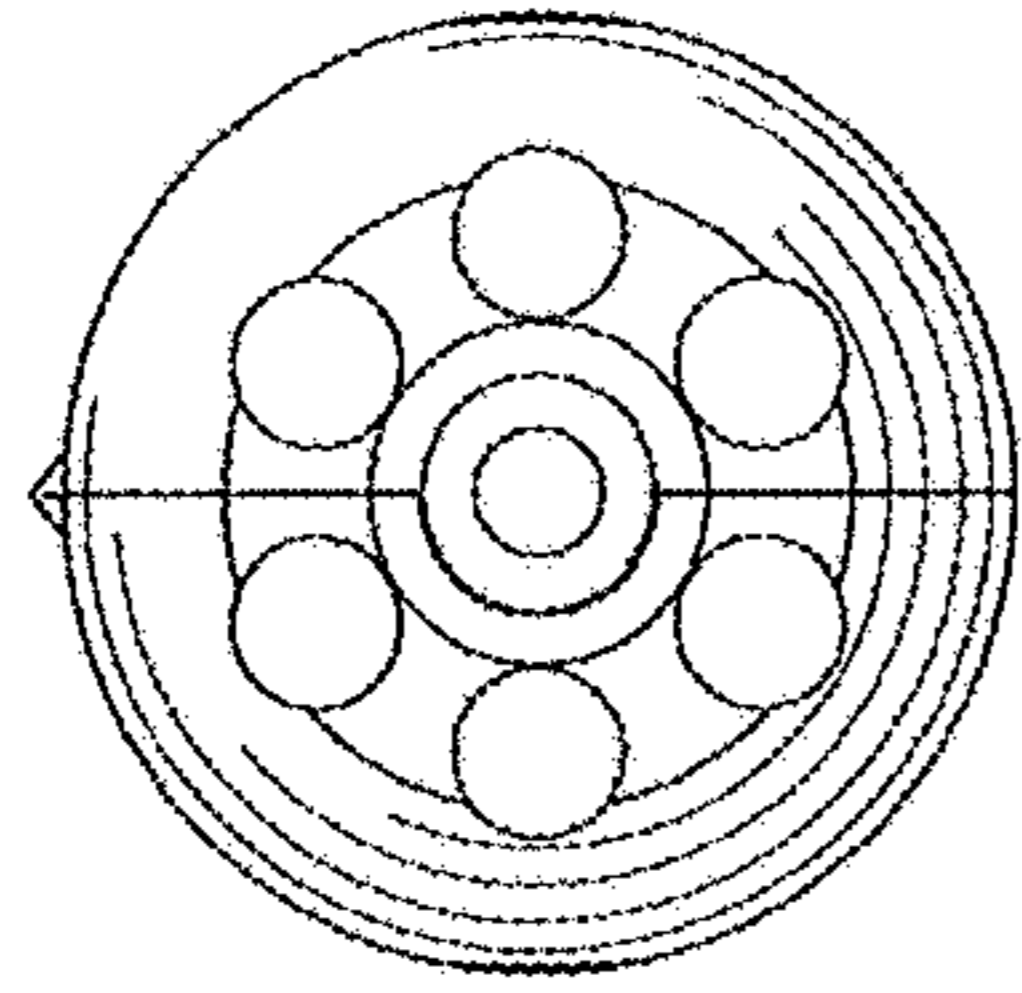


Fig. 7

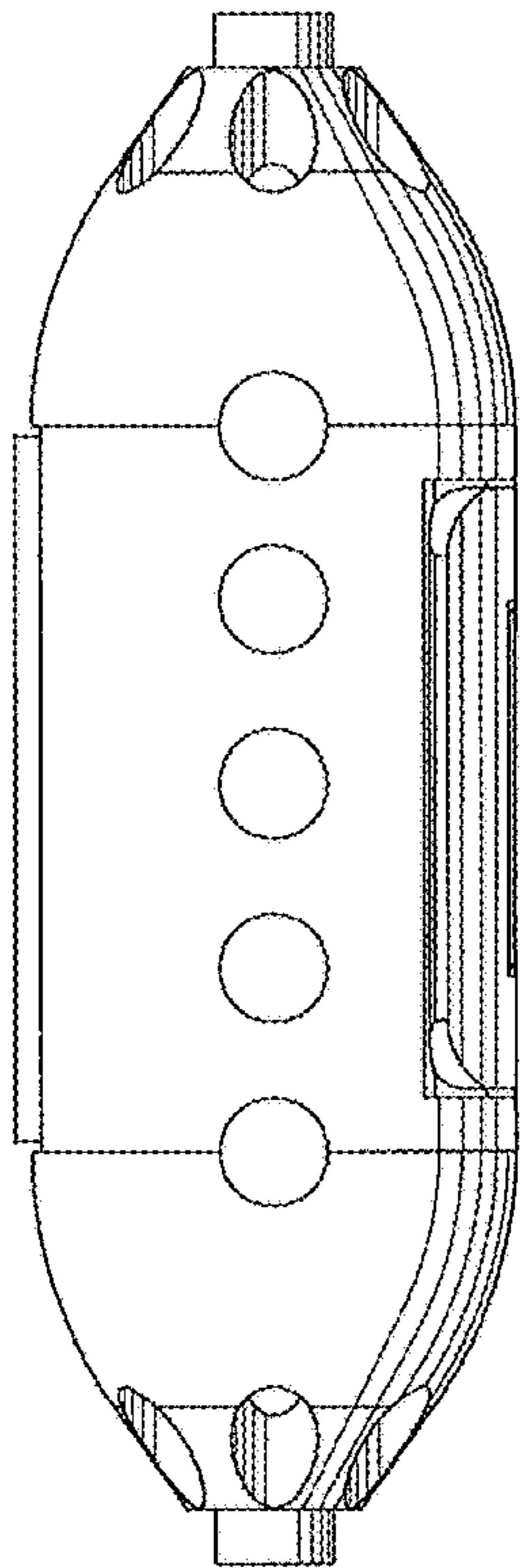


Fig. 5

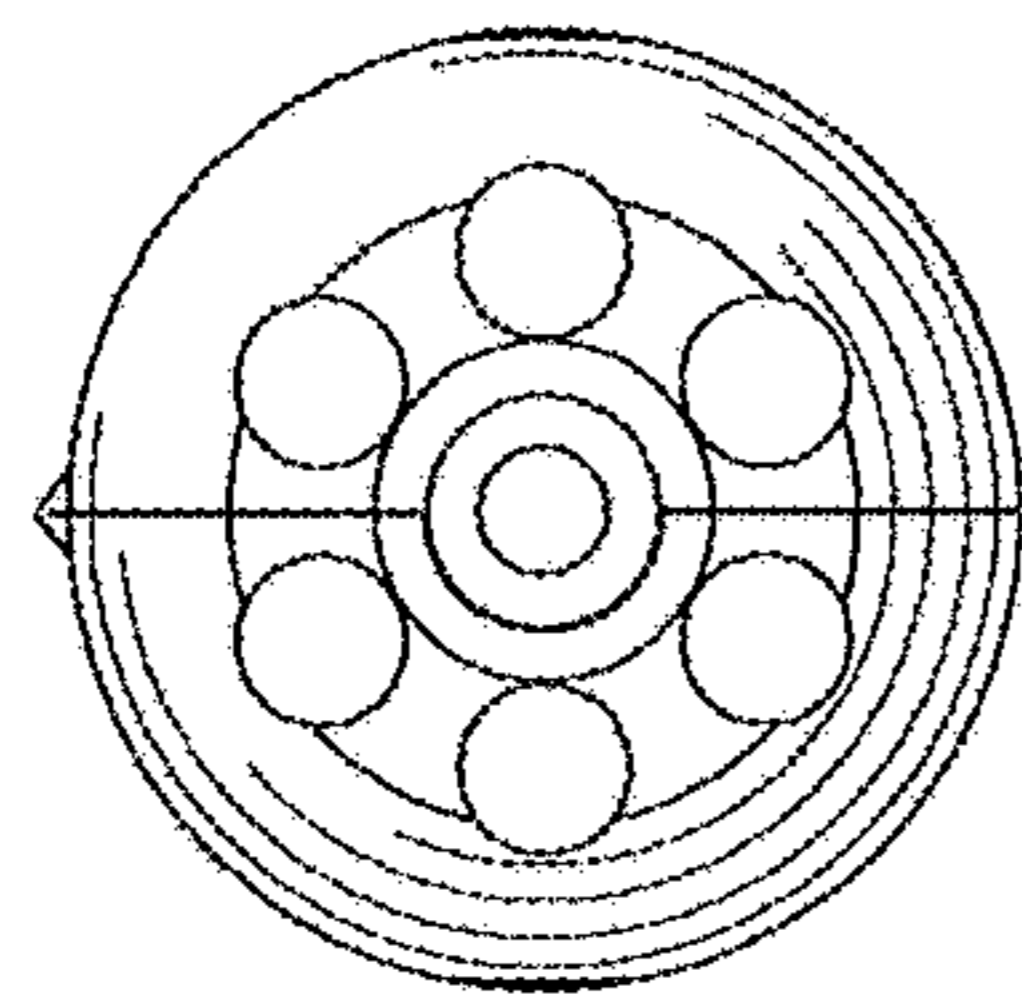


Fig. 8

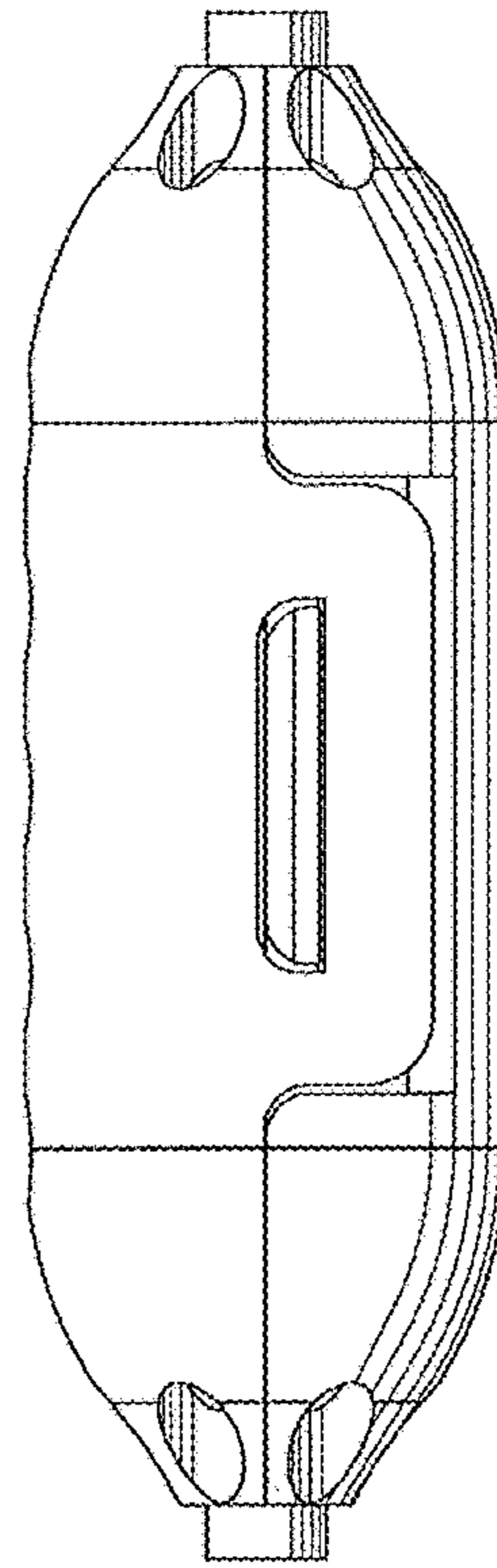


Fig. 6

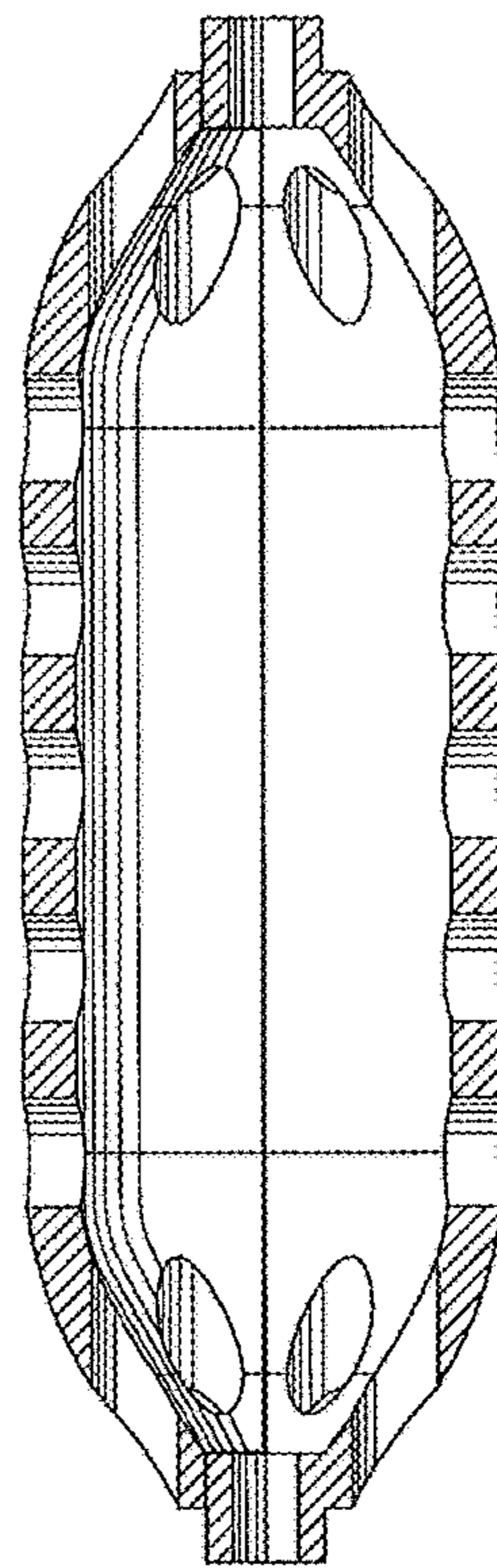


Fig. 9

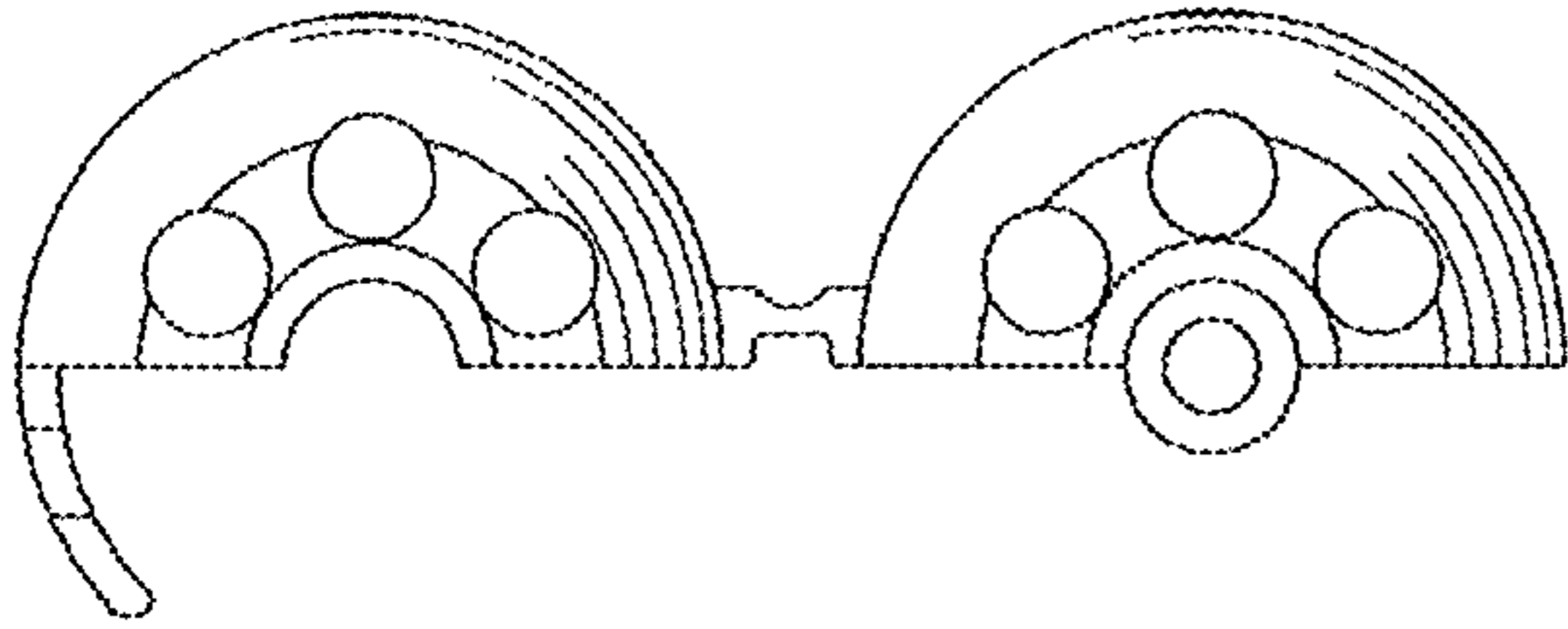


Fig. 11

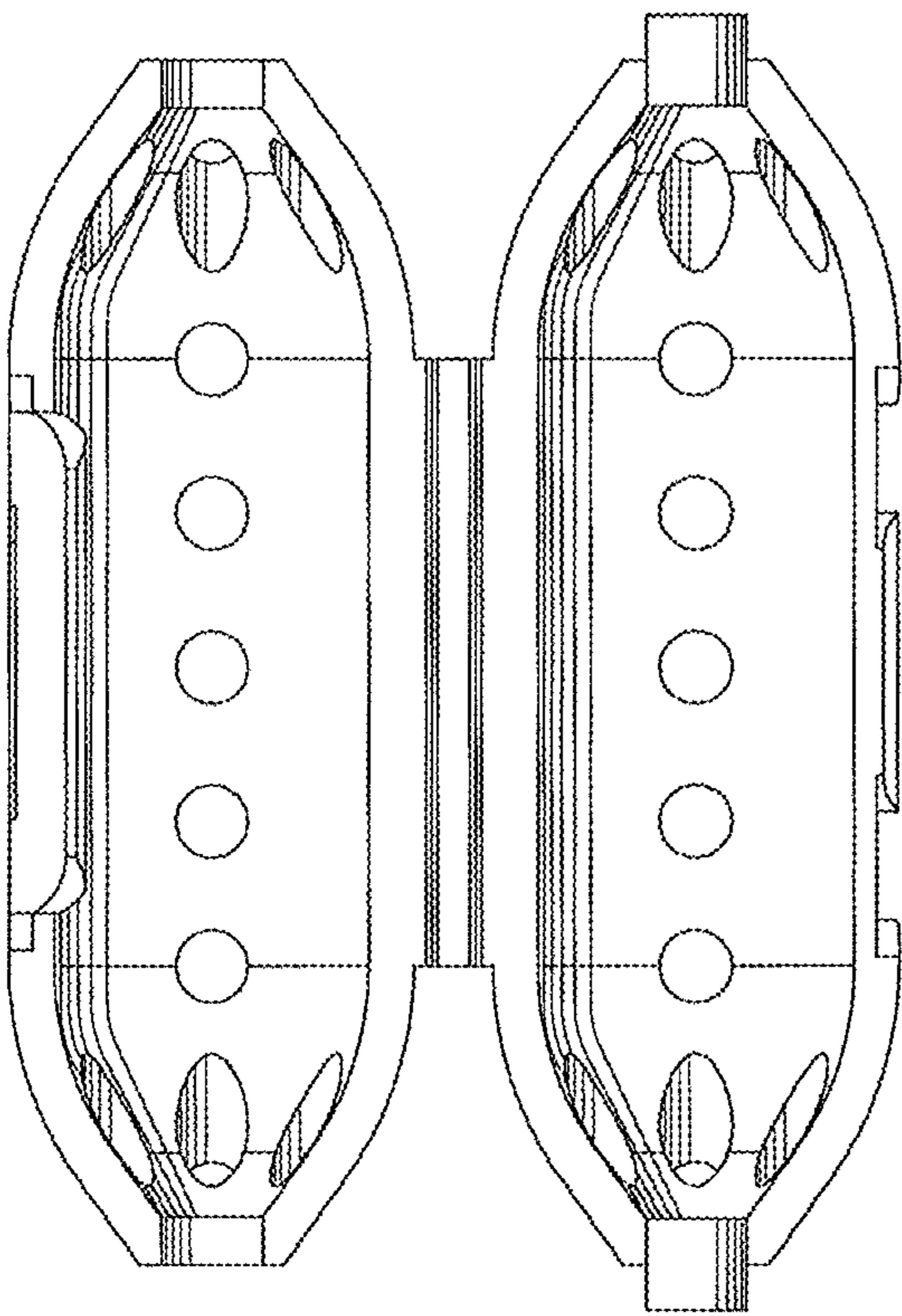


Fig. 10

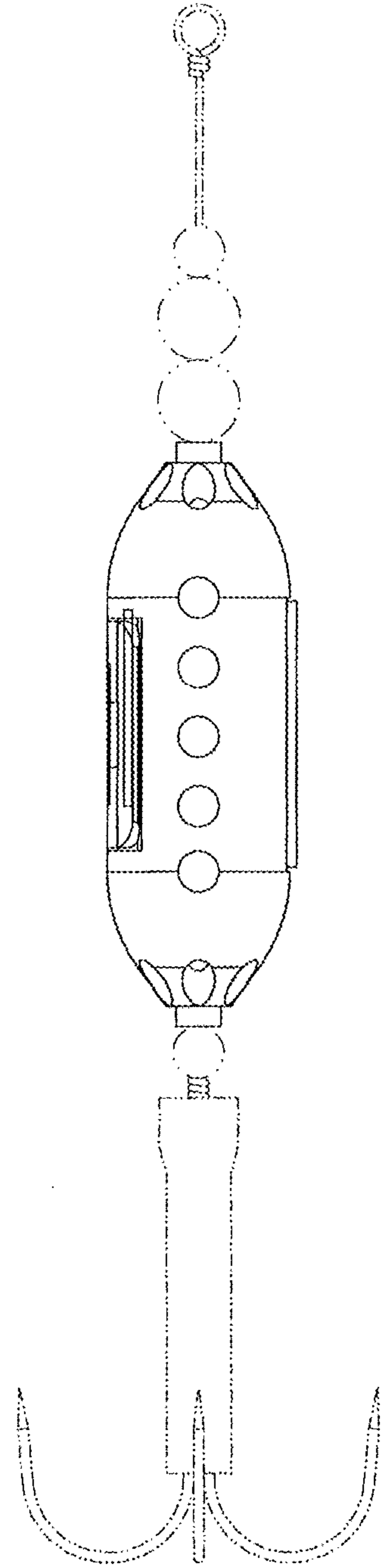


Fig. 12