



US00D858686S

(12) **United States Design Patent**
Baker et al.

(10) **Patent No.:** **US D858,686 S**

(45) **Date of Patent:** **** Sep. 3, 2019**

(54) **STINK BAIT GUN**

(71) Applicants: **Karl Marshall Baker**, Beaufort, SC
(US); **Matthew Justin Townsend**,
Lexington, SC (US)

(72) Inventors: **Karl Marshall Baker**, Beaufort, SC
(US); **Matthew Justin Townsend**,
Lexington, SC (US)

(**) Term: **15 Years**

(21) Appl. No.: **29/677,678**

(22) Filed: **Jan. 23, 2019**

(51) **LOC (12) Cl.** **22-05**

(52) **U.S. Cl.**
USPC **D22/134; D22/149**

(58) **Field of Classification Search**
USPC D22/102, 134, 137-139, 149-150, 199;
D8/14.1, 30; 43/6, 4.5, 42.24
CPC A01K 85/00; A01K 85/01; A01K 95/02;
A01K 97/04
See application file for complete search history.

(56) **References Cited**

U.S. PATENT DOCUMENTS

3,835,572 A * 9/1974 Mounsey A01K 85/01
43/42.06
4,726,138 A * 2/1988 Hurt A01K 97/04
43/4.5

D296,226 S * 6/1988 LeBleu D22/102
D348,811 S * 7/1994 Albers D8/14.1
D363,405 S * 10/1995 Elliott, Sr. D8/14.1
D378,338 S * 3/1997 Acciville D8/14.1
9,288,974 B2 * 3/2016 Alguire A01K 95/02
D799,919 S * 10/2017 Levand D8/14.1

* cited by examiner

Primary Examiner — Catherine R Oliver-Garcia
(74) *Attorney, Agent, or Firm* — Melissa B. Neely

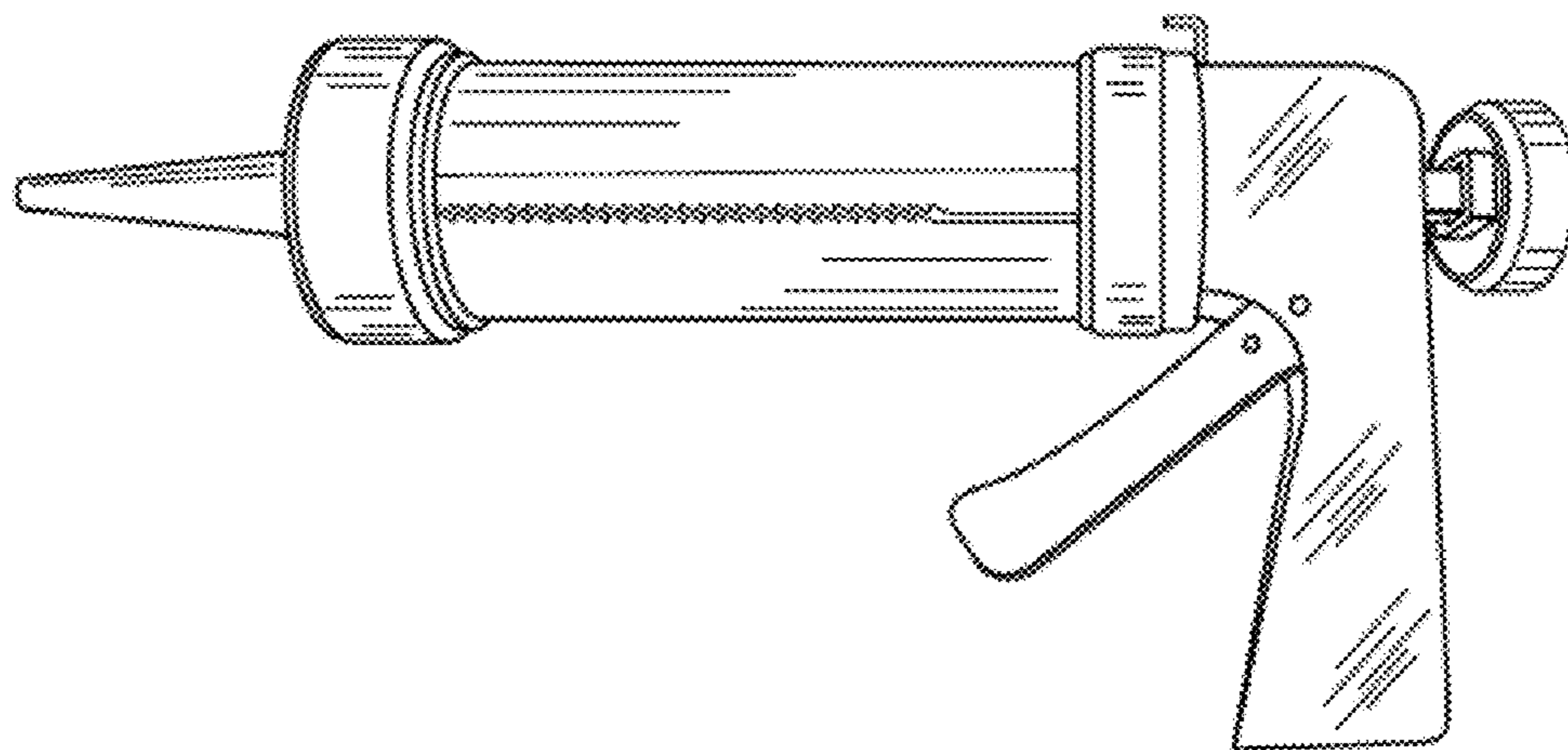
(57) **CLAIM**

The ornamental design for the stink bait gun, as shown and described.

DESCRIPTION

FIG. 1 is a side perspective view of the stink bait gun showing my new design.
FIG. 2 is a side perspective view of the stink bait gun.
FIG. 3 is a side perspective view of the stink bait gun.
FIG. 4 is a side perspective view of the stink bait gun.
FIG. 5 is a rear perspective view of the stink bait gun; and,
FIG. 6 is rear perspective view of the stink bait gun.
The broken lines in the drawings are for the purpose of illustrating environmental features which form no part of the claimed design.

1 Claim, 6 Drawing Sheets



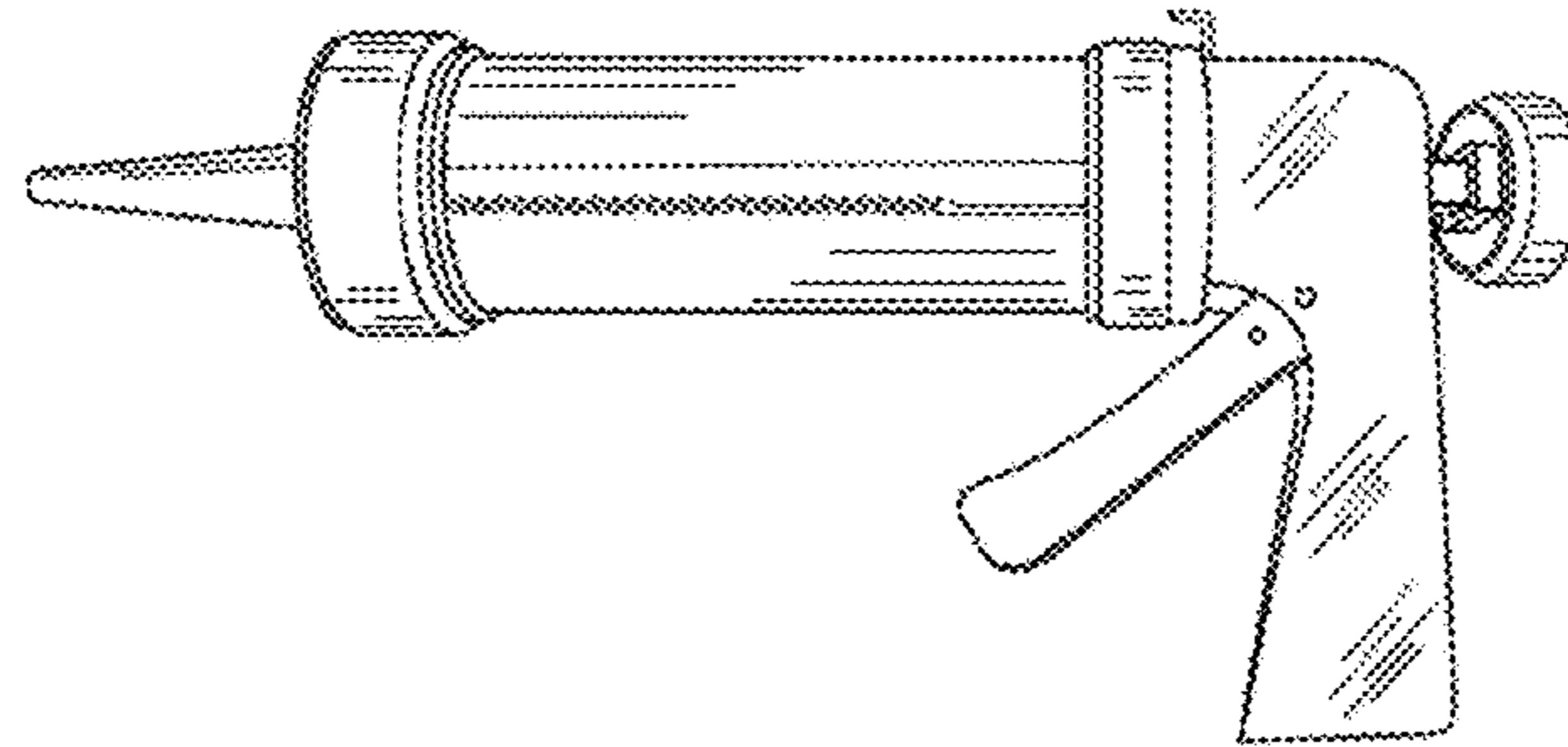


FIG. 1

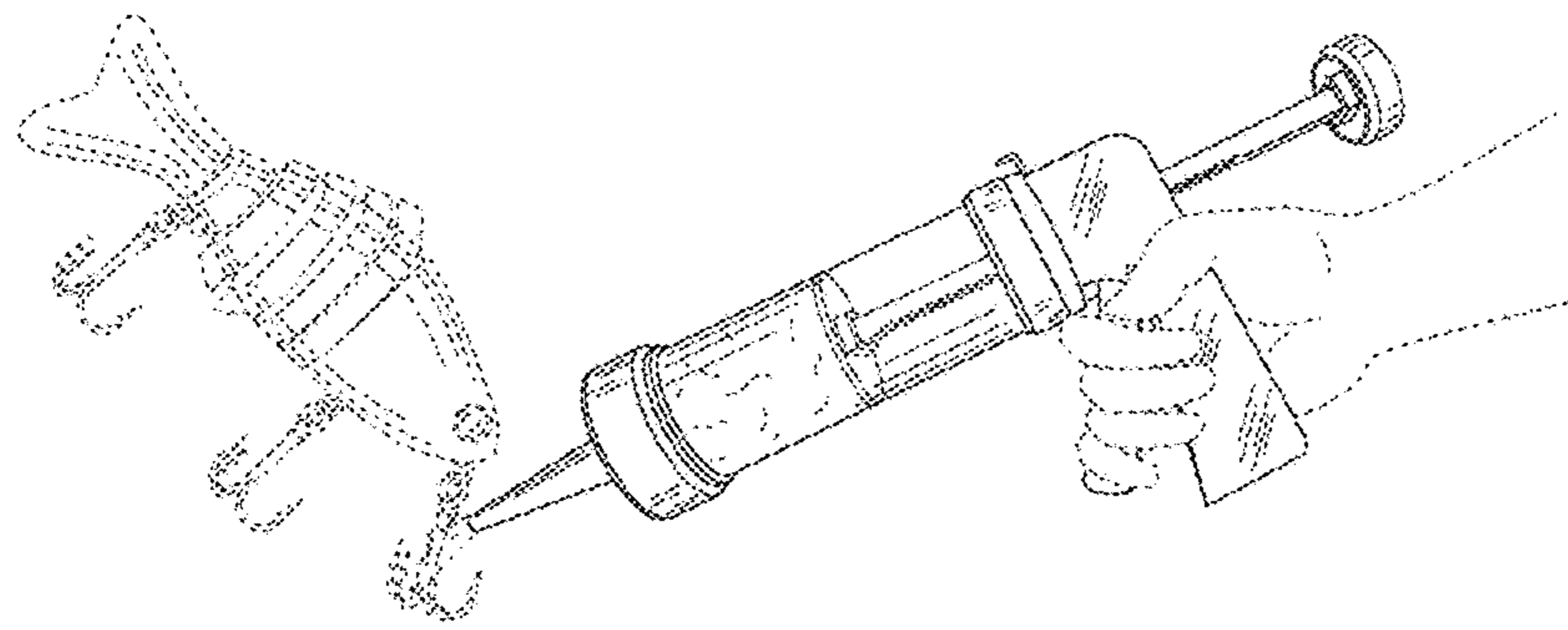


FIG. 2

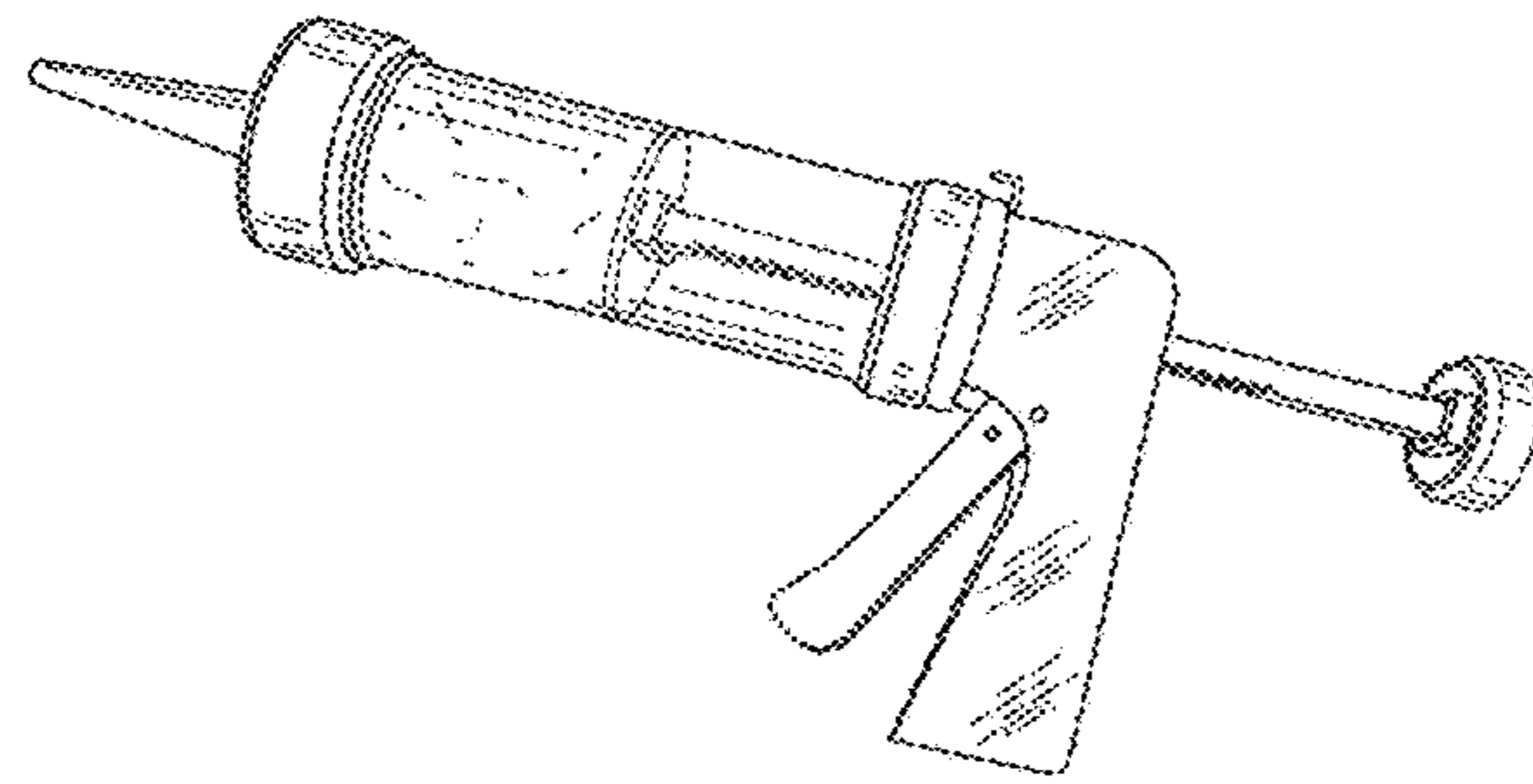


FIG. 3

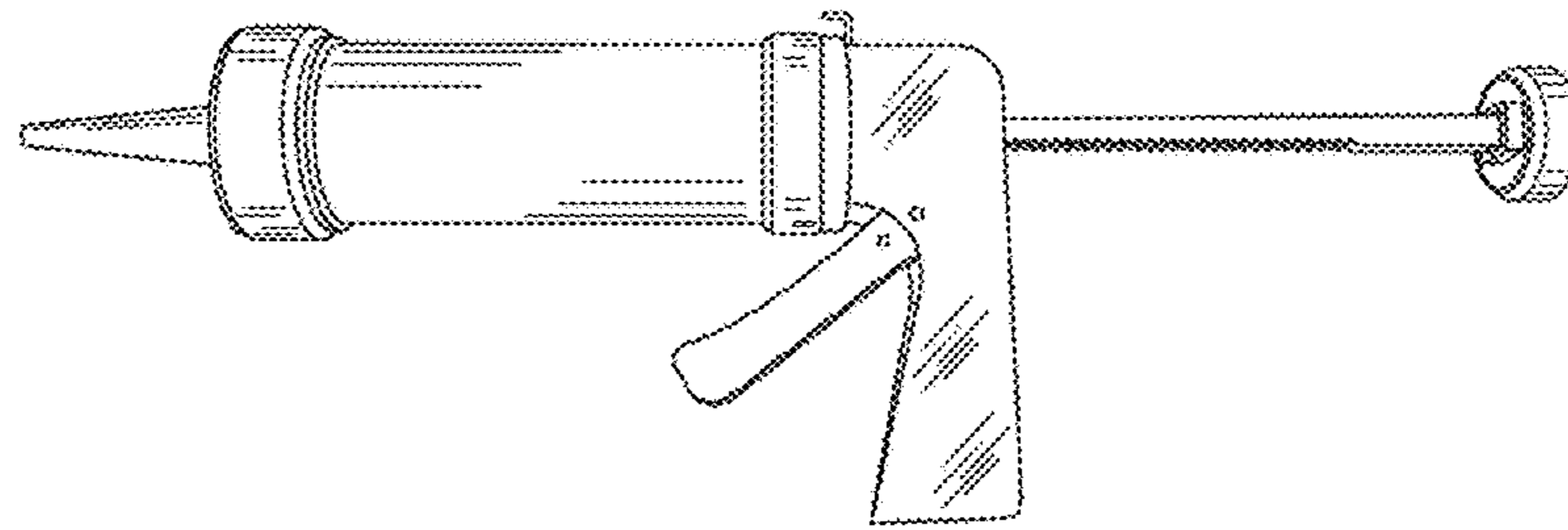


FIG. 4

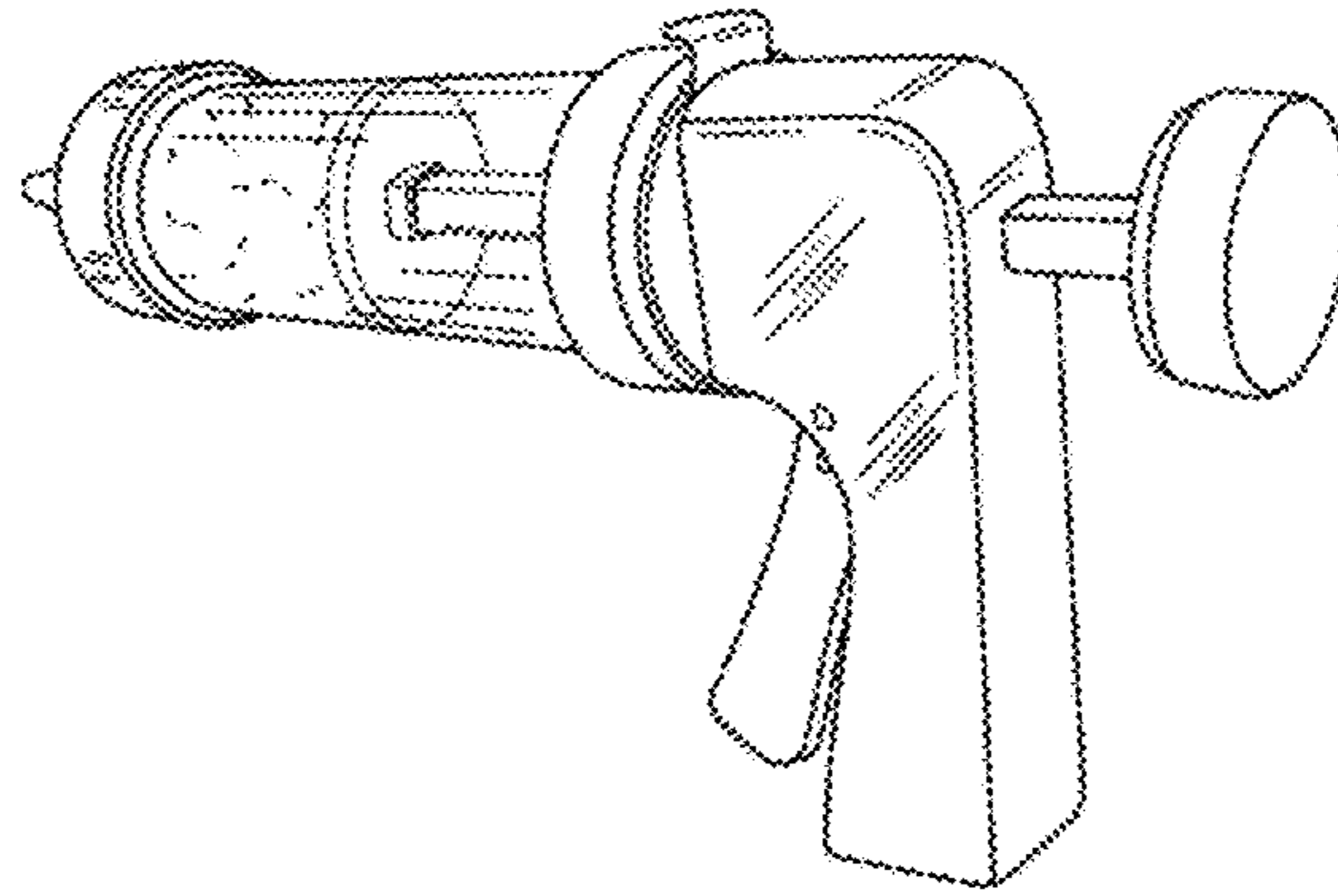


Fig. 5

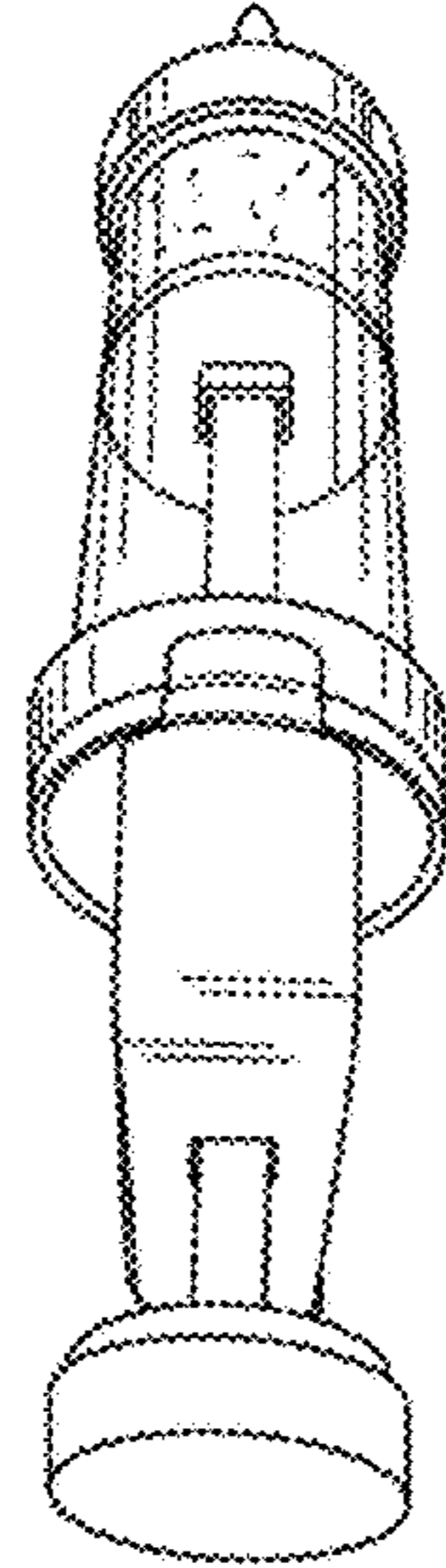


FIG. 6