



US00D858684S

(12) **United States Design Patent**  
**Bianchi**

(10) **Patent No.:** **US D858,684 S**

(45) **Date of Patent:** **\*\* Sep. 3, 2019**

(54) **FISHING LURE**

(71) Applicant: **Daniel J Bianchi**, Bradenton, FL (US)

(72) Inventor: **Daniel J Bianchi**, Bradenton, FL (US)

(\*\*) Term: **15 Years**

(21) Appl. No.: **29/648,432**

(22) Filed: **May 21, 2018**

(51) **LOC (12) Cl.** ..... **22-05**

(52) **U.S. Cl.**  
USPC ..... **D22/126**

(58) **Field of Classification Search**  
USPC ..... D22/126-133; 43/17.1, 42.06, 42.24,  
43/42.26, 42.48, 37, 42.09, 42.4, 42.39,  
43/44.91

(Continued)

(56) **References Cited**

U.S. PATENT DOCUMENTS

5,331,760 A \* 7/1994 DuMont ..... A01K 93/02  
43/17.1

6,357,167 B1 3/2002 Bradford  
(Continued)

*Primary Examiner* — Catherine R Oliver-Garcia

(74) *Attorney, Agent, or Firm* — Bill Panagos; Linda Kennedy; Panagos Kennedy PLLC

(57) **CLAIM**

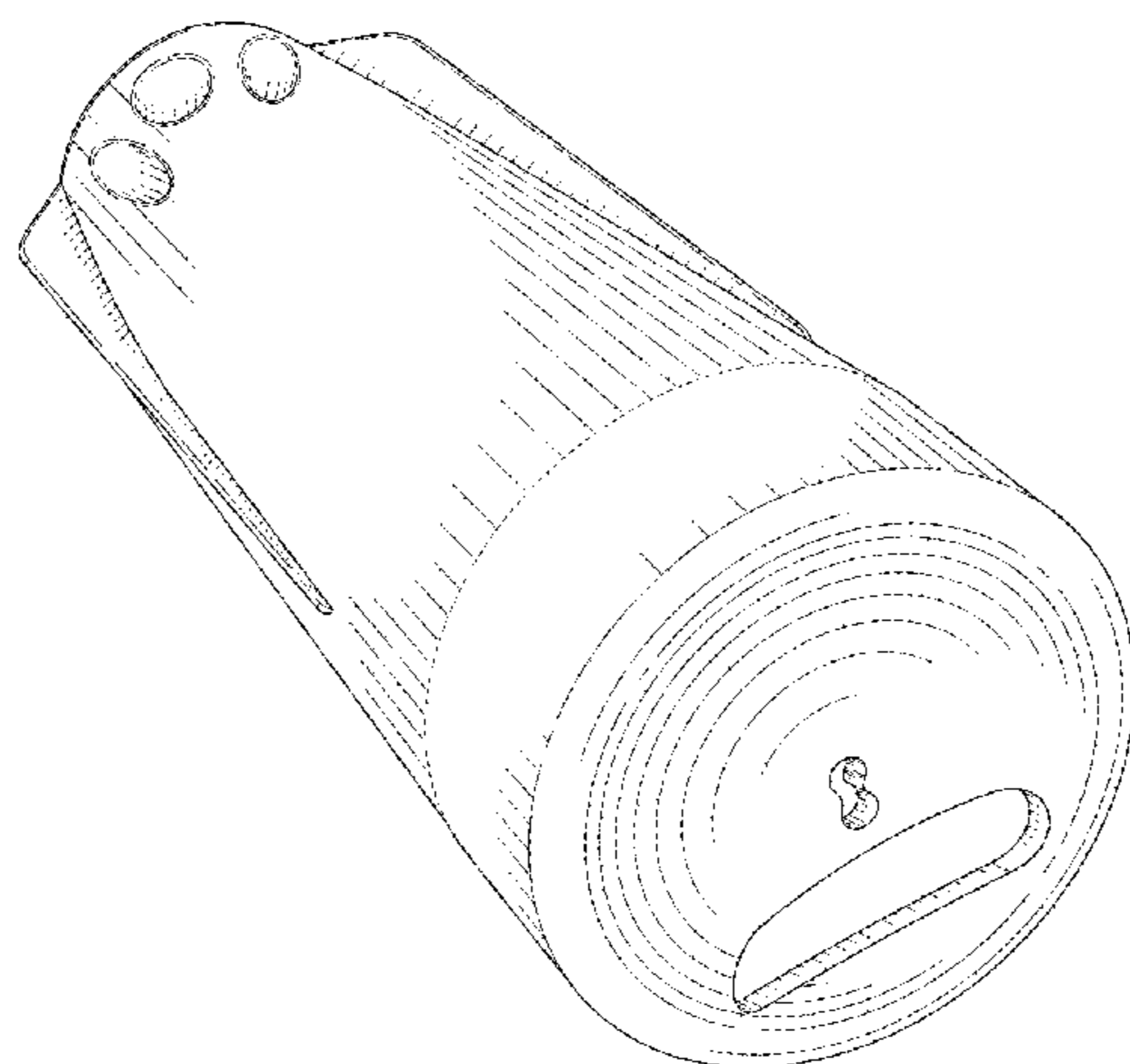
The ornamental design for a fishing lure, as shown and described.

**DESCRIPTION**

FIG. 1 is a front perspective view of the fishing lure;  
FIG. 2 is a rear perspective view of the fishing lure of FIGS. 1, 8, 14 and 20;

FIG. 3 is a top plan view of the fishing lure of FIG. 1;  
FIG. 4 is a bottom plan view of the fishing lure of FIG. 1;  
FIG. 5 is a front elevation view of the fishing lure of FIG. 1;  
FIG. 6 is a rear elevation view of the fishing lure of FIG. 1;  
FIG. 7 is a side elevation view of the fishing lure of FIG. 1  
FIG. 8 is a front perspective view of an alternate embodiment of the fishing lure;  
FIG. 9 is a top plan view of the fishing lure of FIG. 8;  
FIG. 10 is a bottom plan view of the fishing lure of FIG. 8;  
FIG. 11 is a front elevation view of the fishing lure of FIG. 8;  
FIG. 12 is a rear elevation view of the fishing lure of FIG. 8;  
FIG. 13 is a side elevation view of the fishing lure of FIG. 9;  
FIG. 14 is front perspective view of an alternate embodiment of the fishing lure;  
FIG. 15 is a top plan view of the fishing lure of FIG. 14;  
FIG. 16 is a bottom plan view the fishing lure of FIG. 14;  
FIG. 17 is a front elevation view of the fishing lure of FIG. 14;  
FIG. 18 is a rear elevation view of the fishing lure of FIG. 14;  
FIG. 19 is a side elevation view of the fishing lure of FIG. 14;  
FIG. 20 is a front perspective view of an alternate embodiment of the fishing lure;  
FIG. 21 is a top plan view of the fishing lure of FIG. 20;  
FIG. 22 is a bottom plan view of the fishing lure of FIG. 20;  
FIG. 23 is a front elevation view of the fishing lure of FIG. 20;  
FIG. 24 is a rear elevation view of the fishing lure of FIG. 20; and,  
FIG. 25 is side elevation view of the fishing lure of FIG. 20. Portions of the figures shown in dashed lines are for illustrative purposes only and form no part of the claimed design.

**1 Claim, 13 Drawing Sheets**



(58) **Field of Classification Search**

CPC ..... A01K 93/00; A01K 93/02  
See application file for complete search history.

(56) **References Cited**

U.S. PATENT DOCUMENTS

D461,218	S *	8/2002	Bambacigno .....	D22/126
6,836,997	B2	1/2005	Cramsey	
D525,338	S *	7/2006	Larson .....	D22/126
7,114,280	B2	10/2006	Turner	
8,484,884	B2	7/2013	Zuk	
D747,434	S *	1/2016	Gibbs .....	D22/126
D773,010	S *	11/2016	Danos .....	D22/126
D776,234	S *	1/2017	Danos .....	D22/126
2003/0126785	A1	7/2003	Poisinski	
2006/0000138	A1	1/2006	Druk	
2011/0185622	A1	8/2011	Somogyi	
2014/0259866	A1	9/2014	Jones	

\* cited by examiner

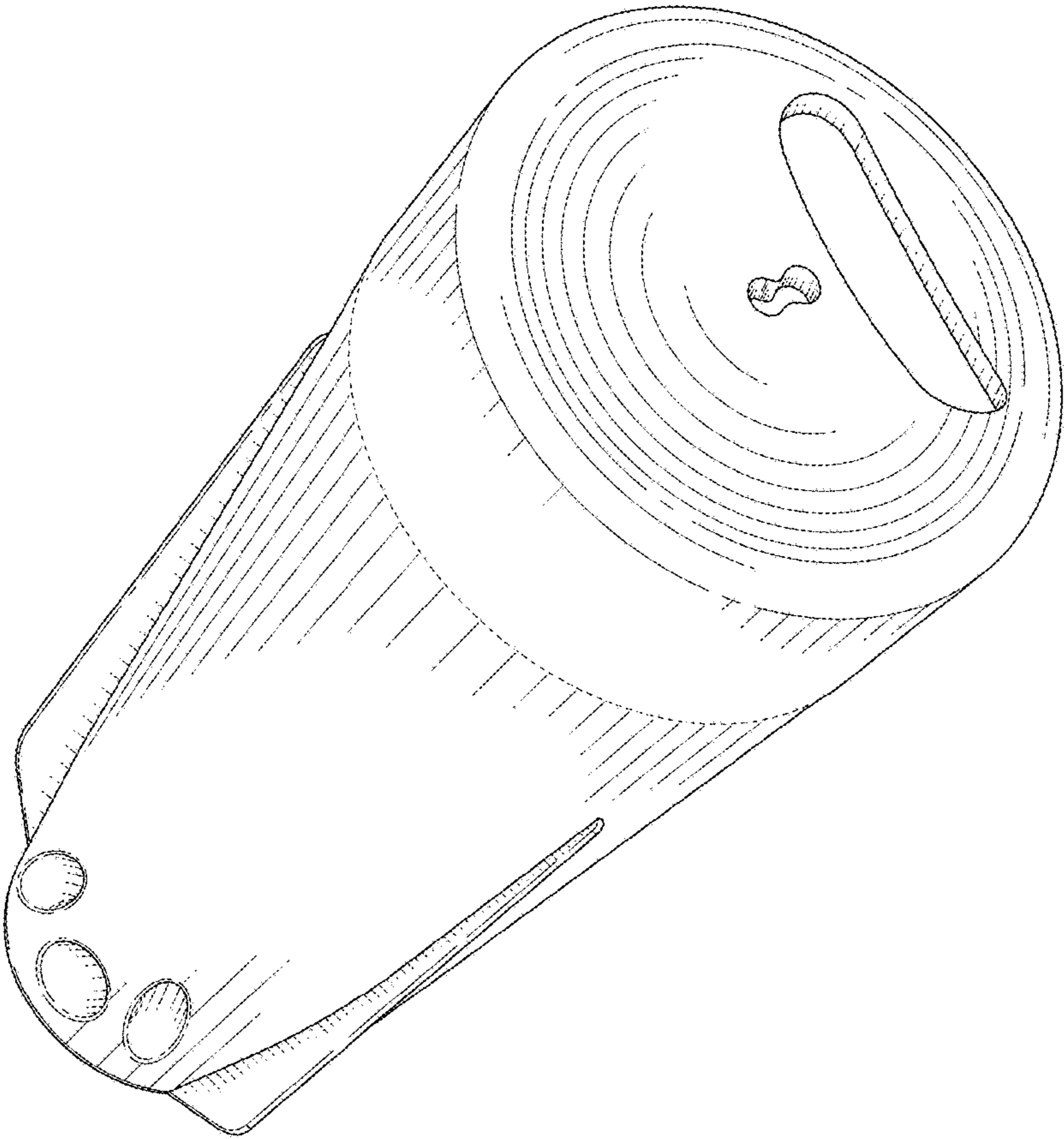


FIG. 1

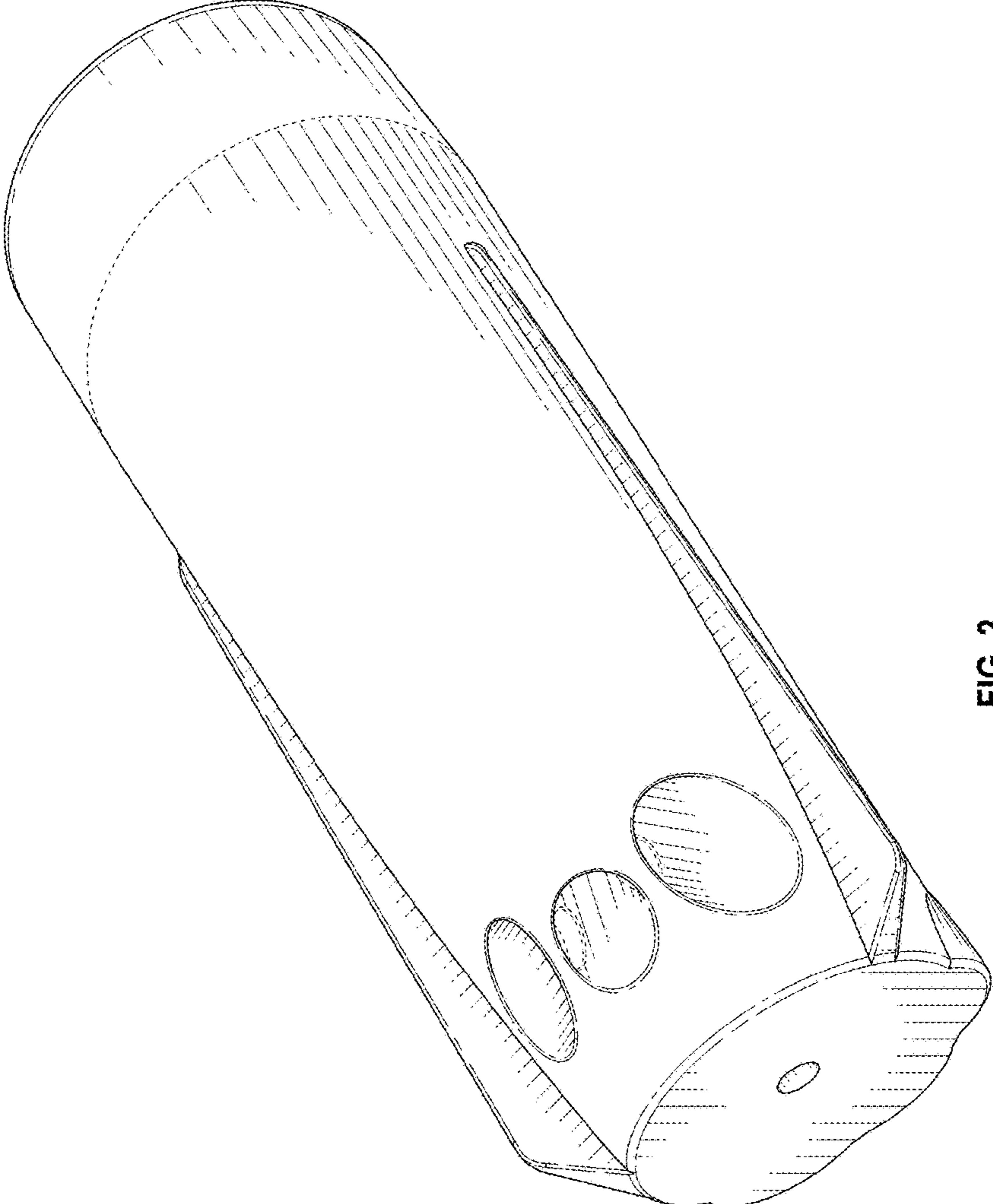


FIG. 2

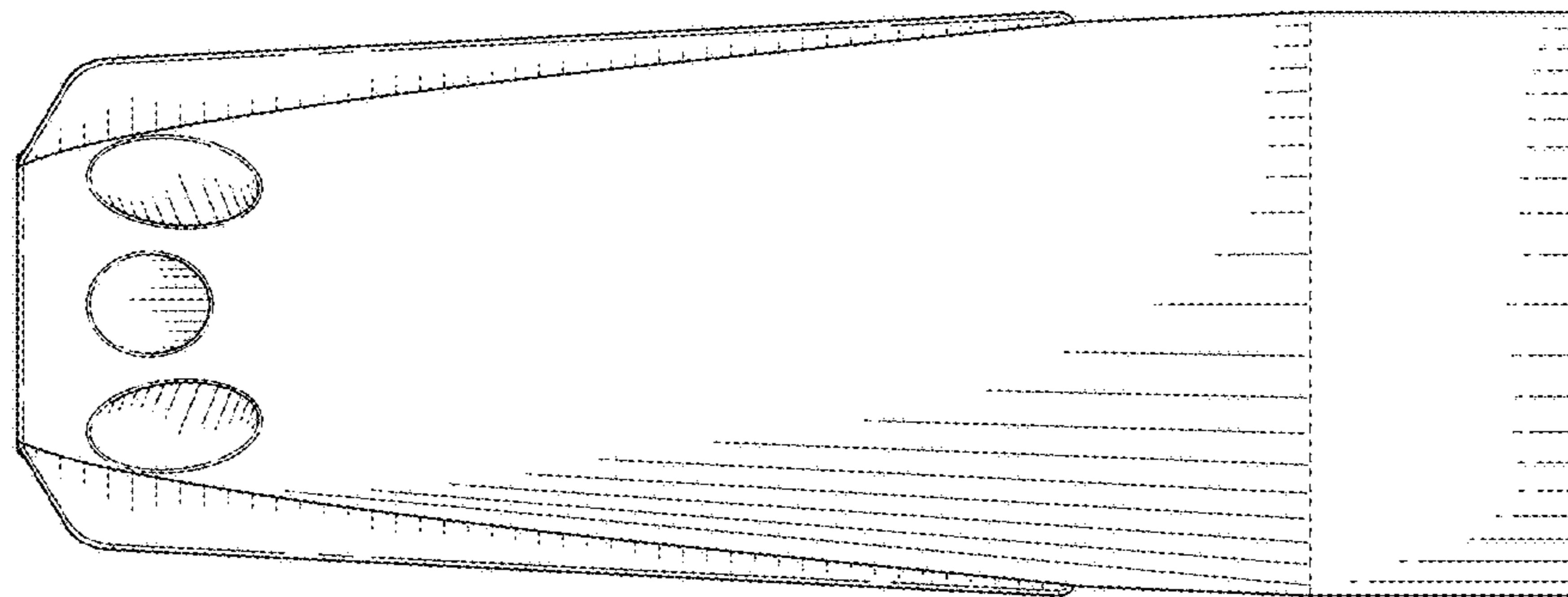


FIG. 3

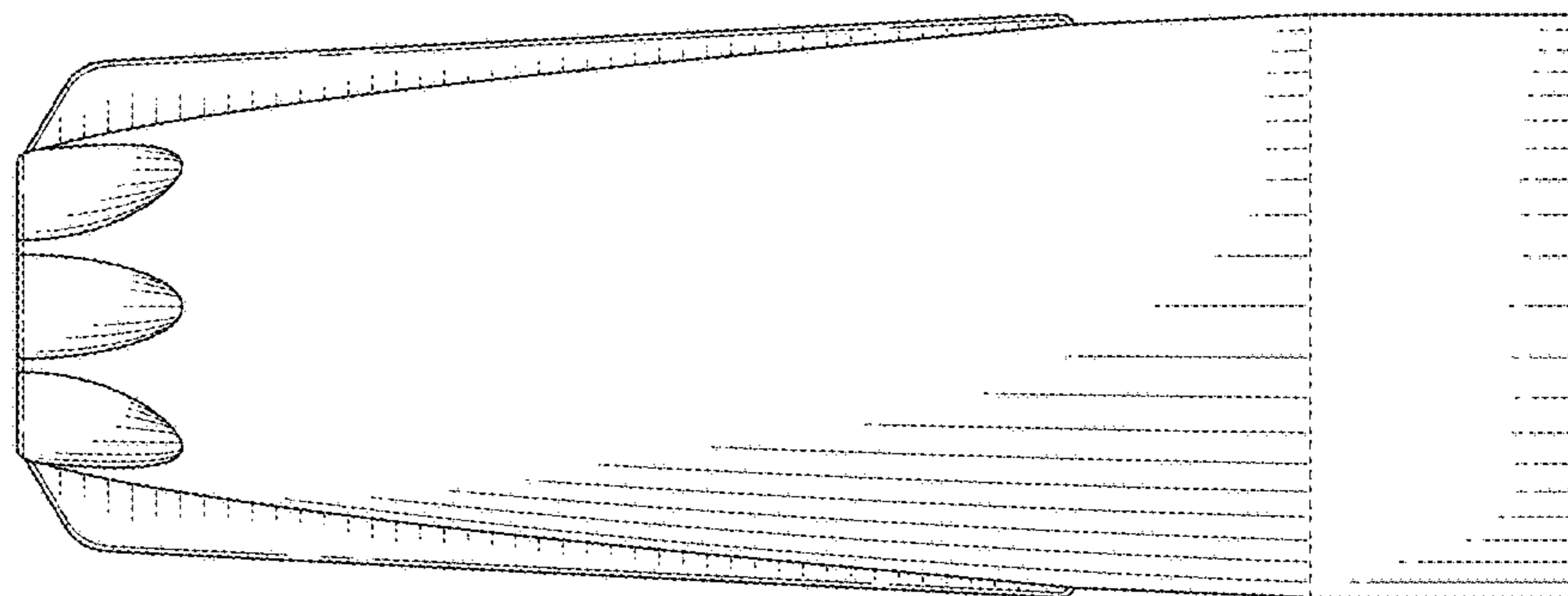


FIG. 4

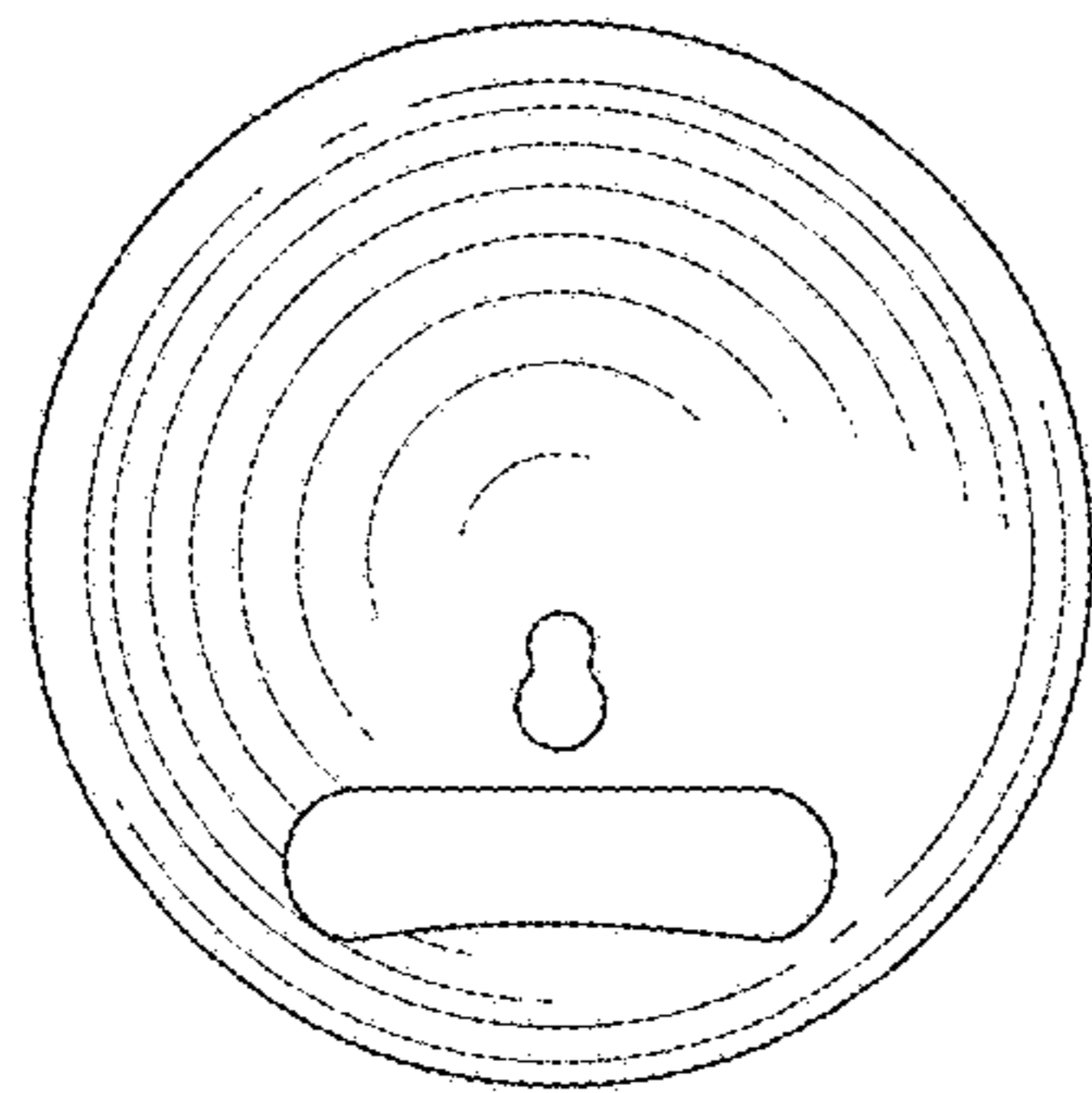


FIG. 5

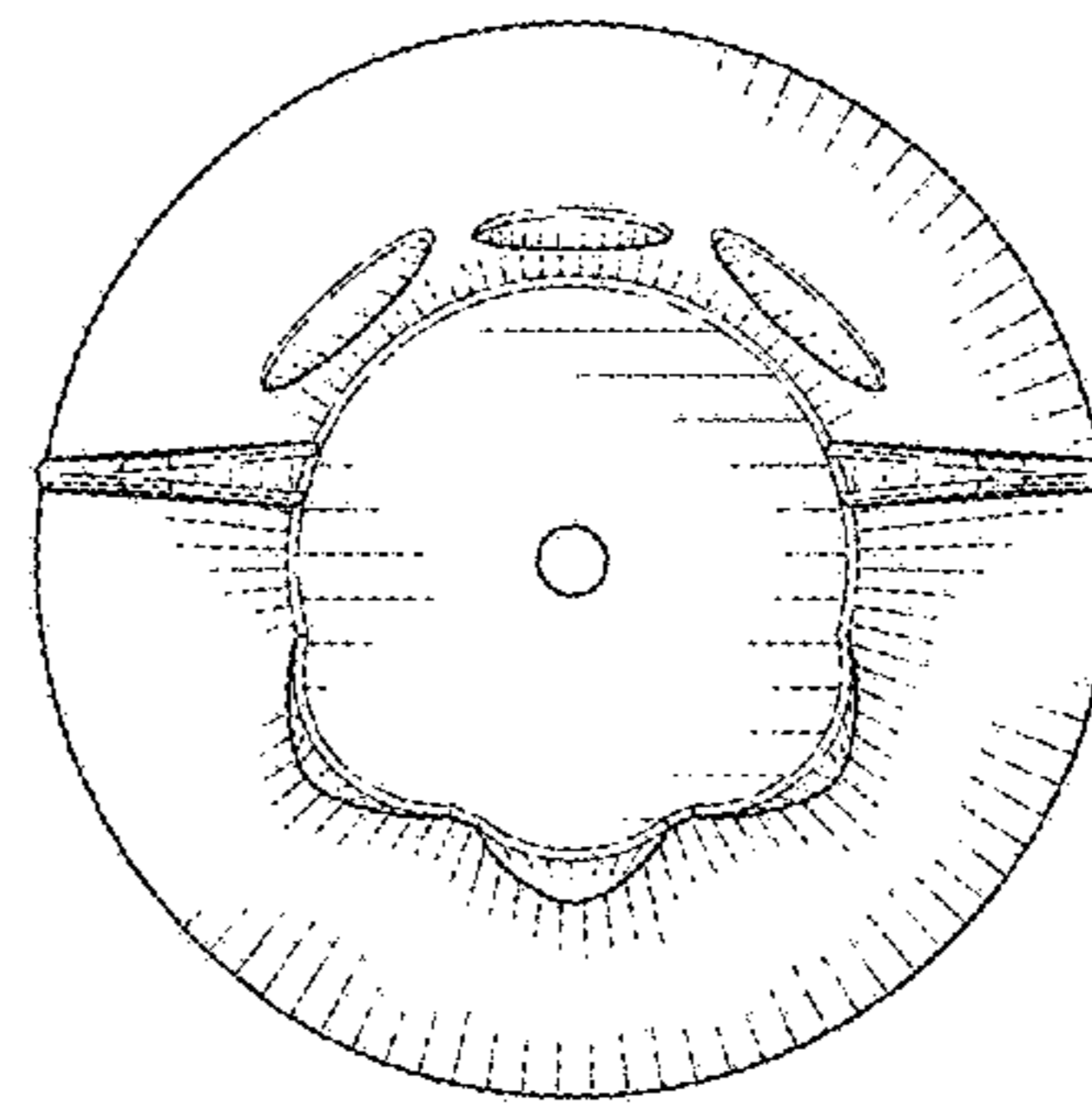


FIG. 6

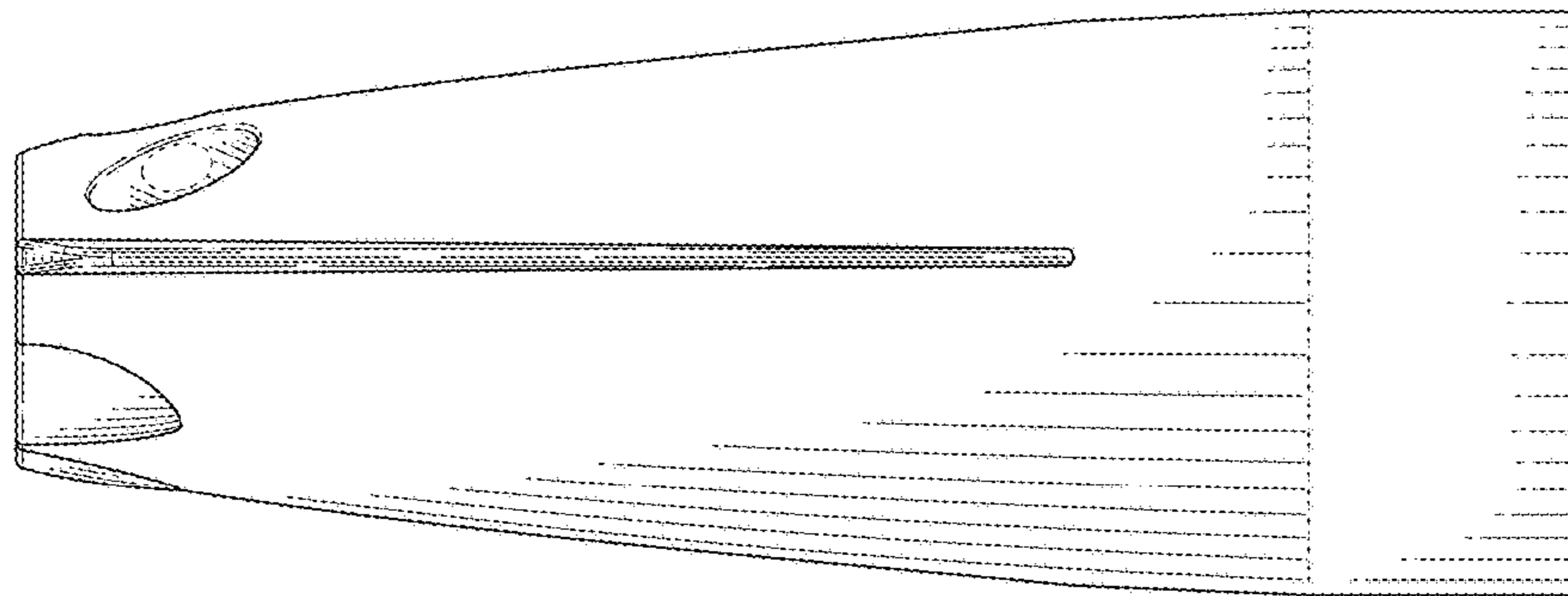


FIG. 7

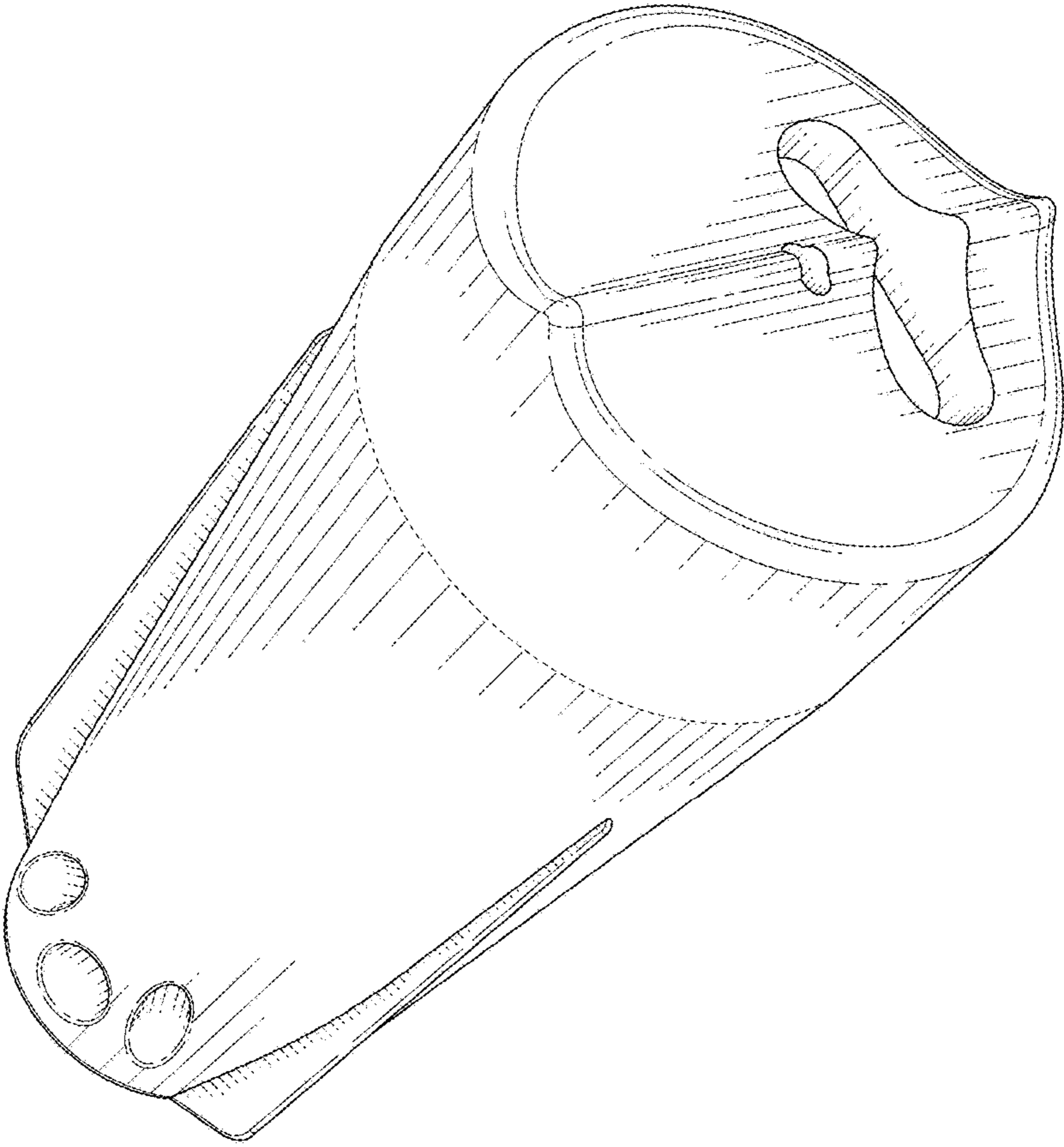


FIG. 8

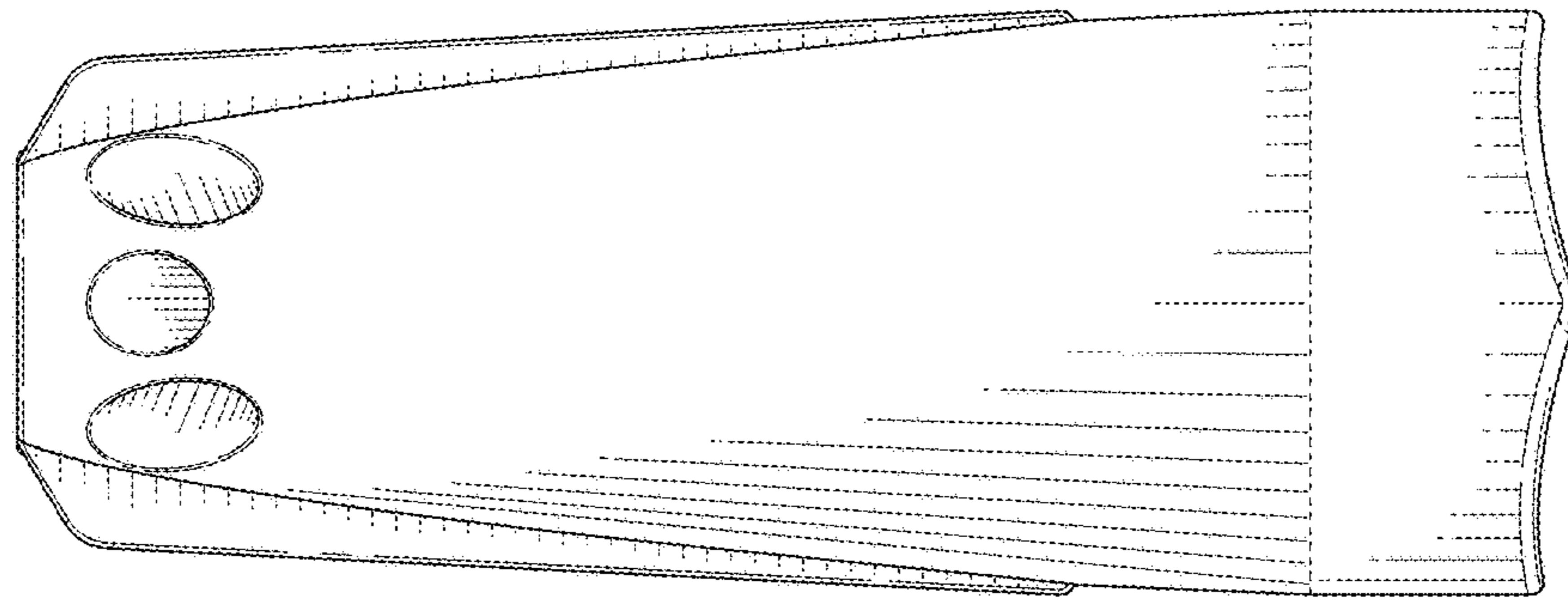


FIG. 9

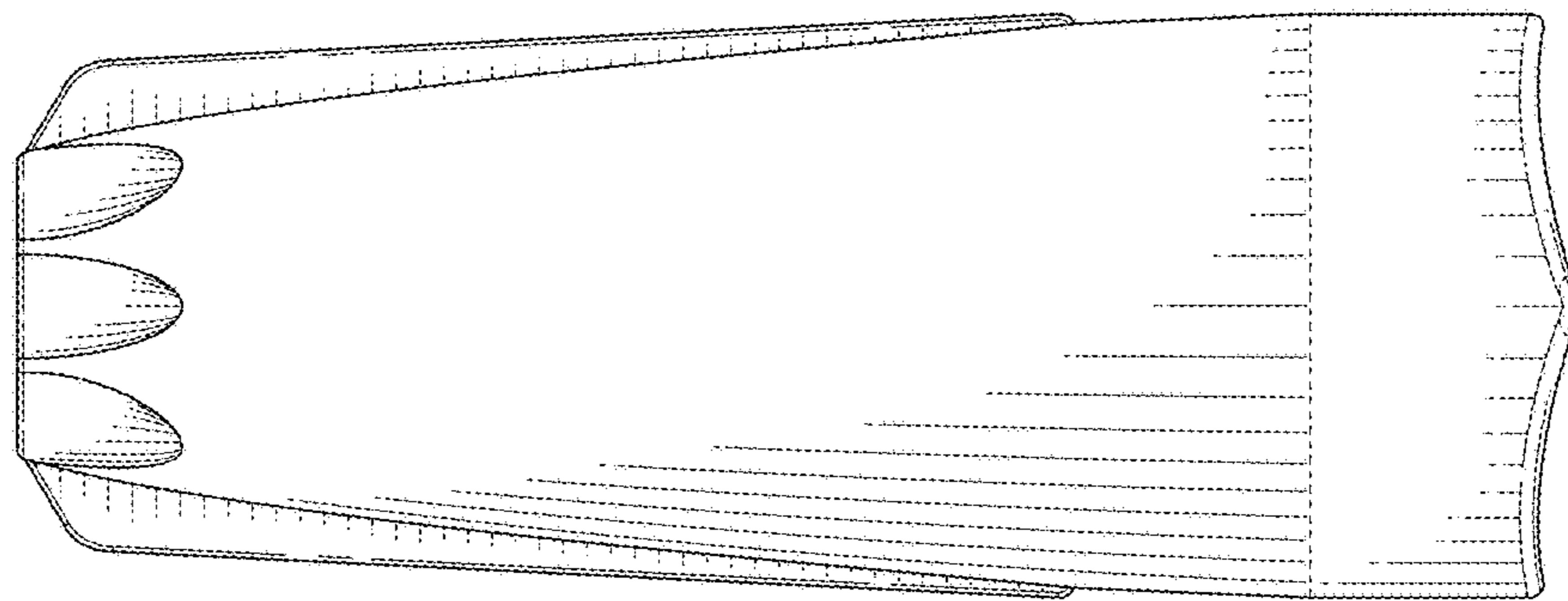


FIG. 10



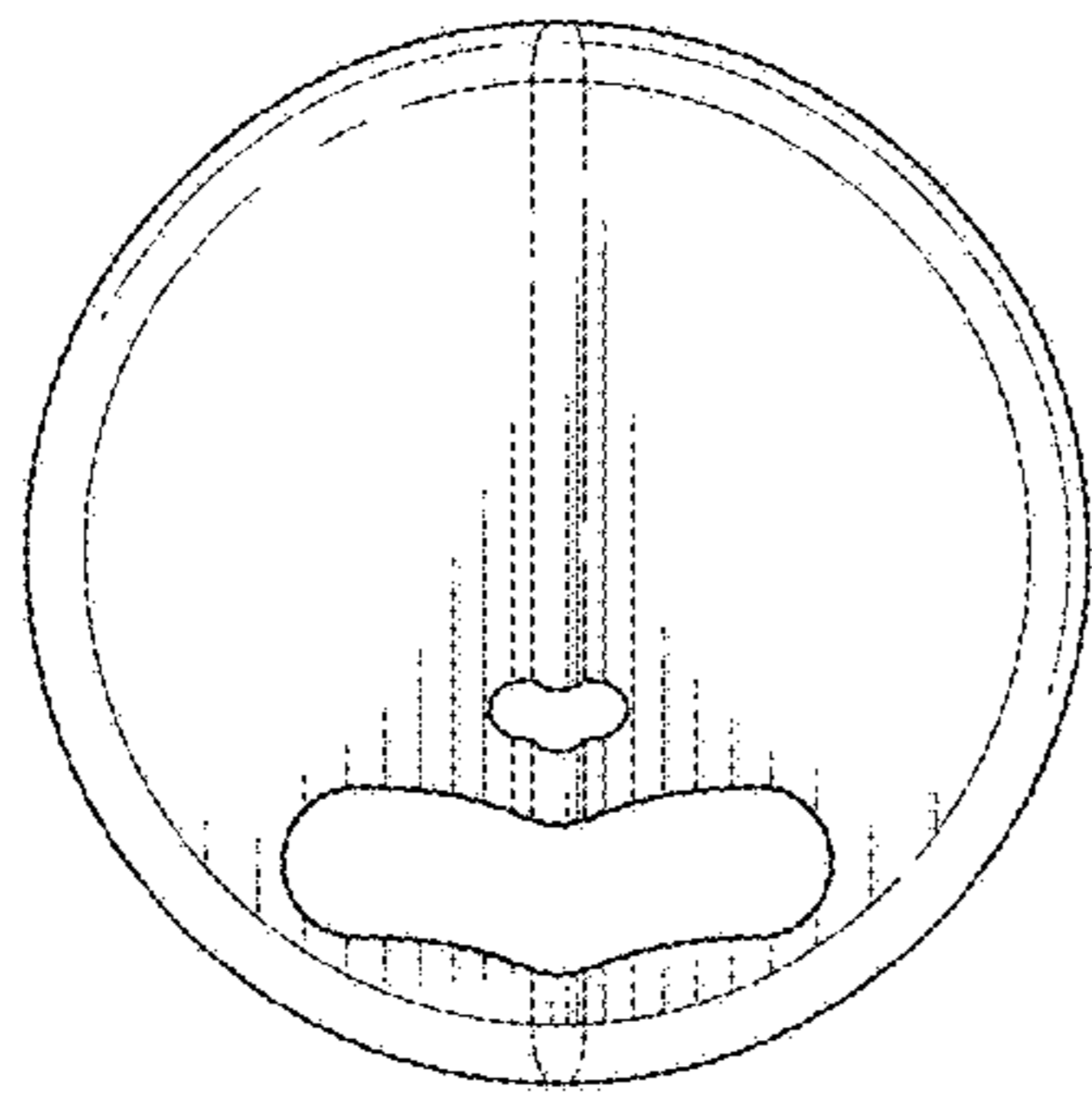


FIG. 11

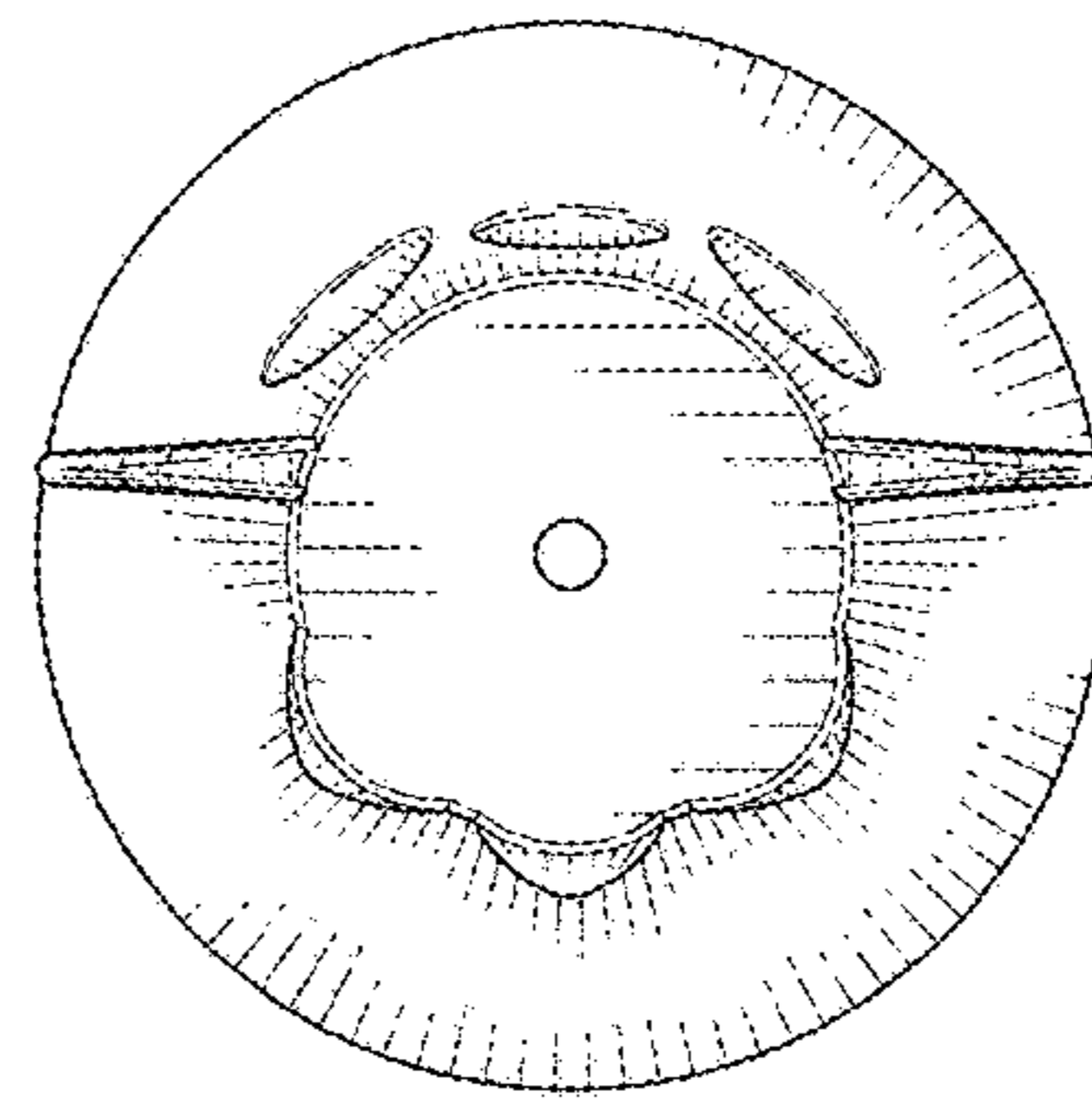


FIG. 12

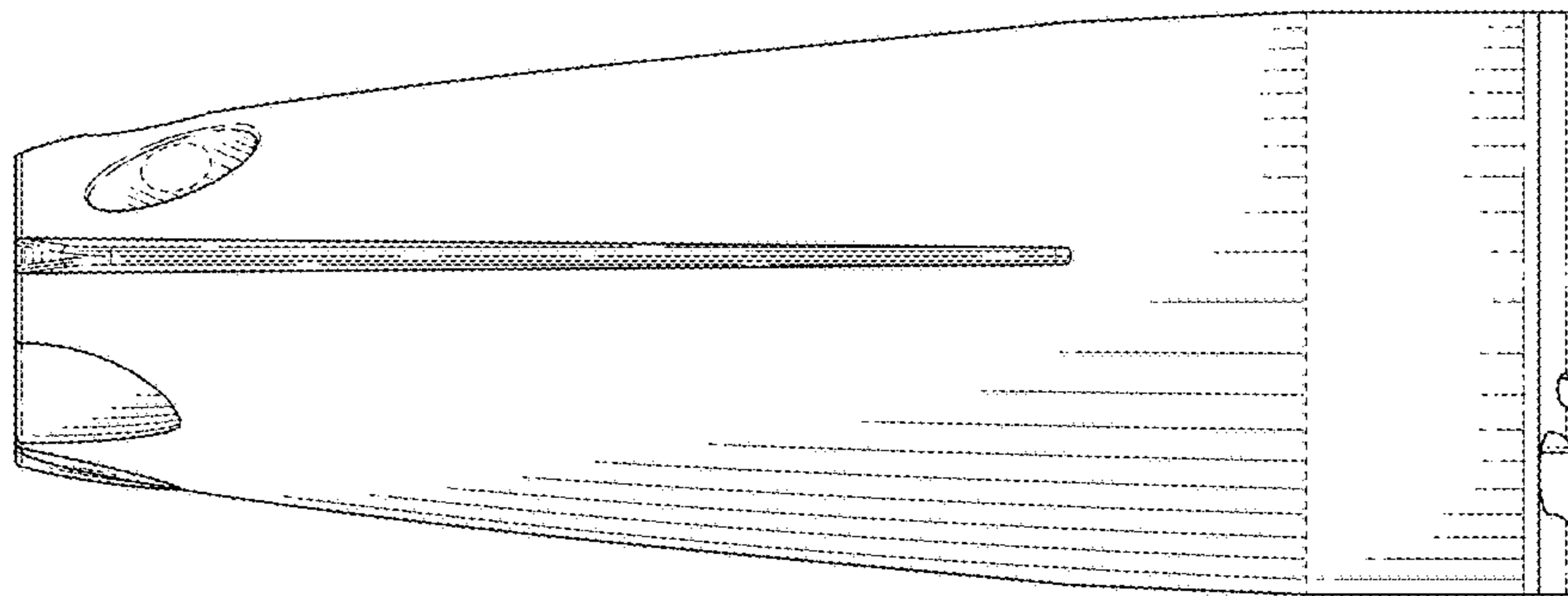


FIG. 13

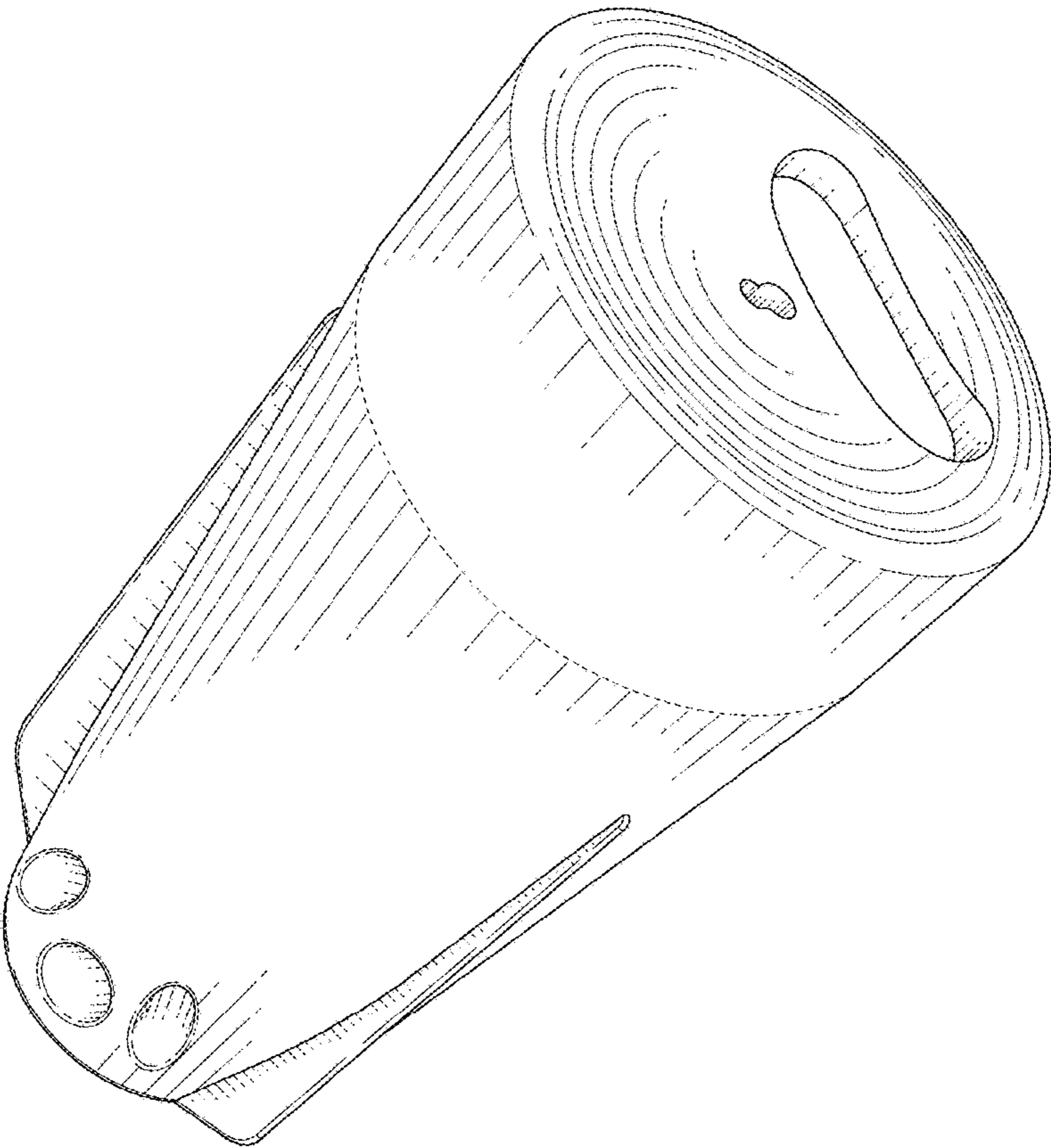


FIG. 14

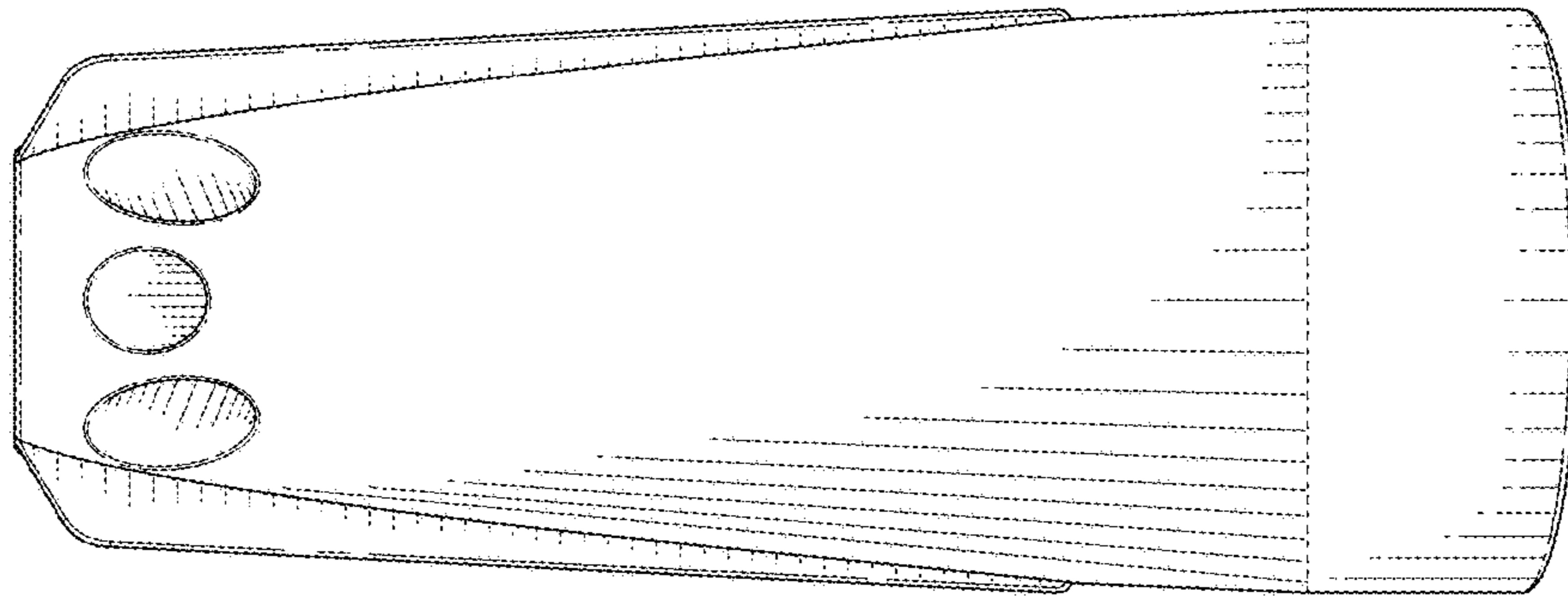


FIG. 15

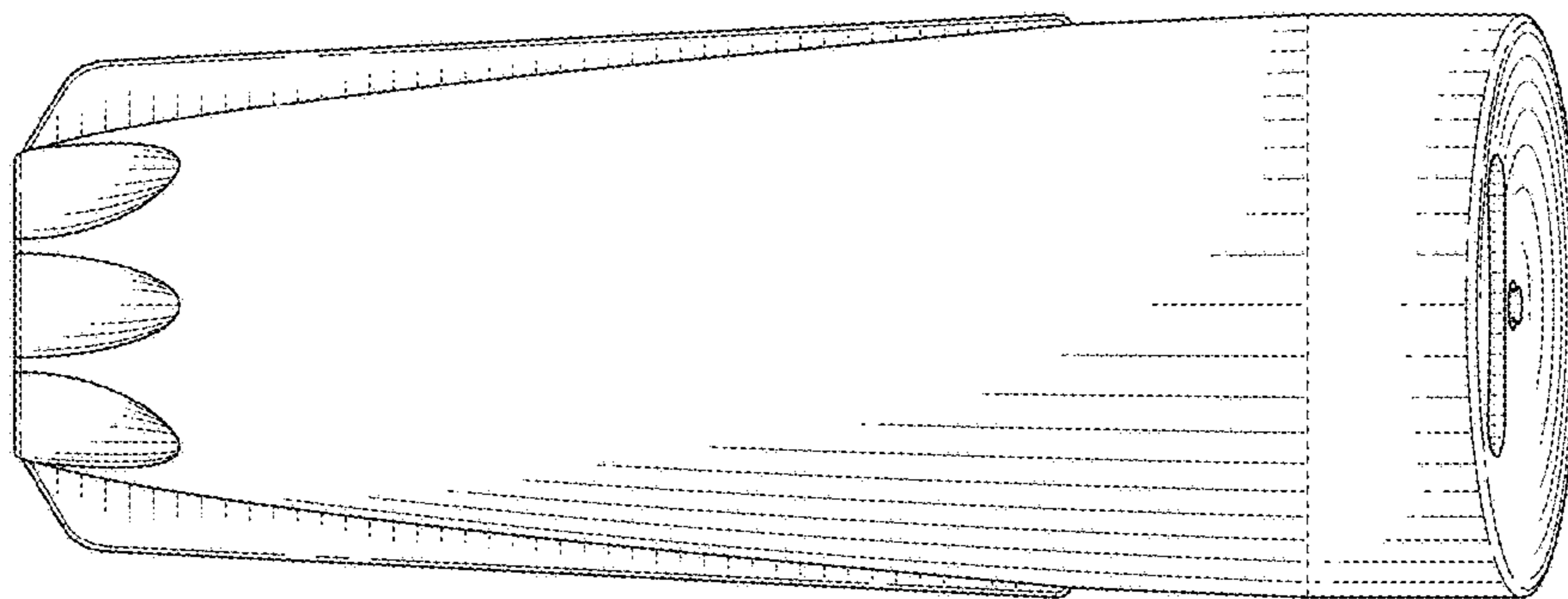


FIG. 16

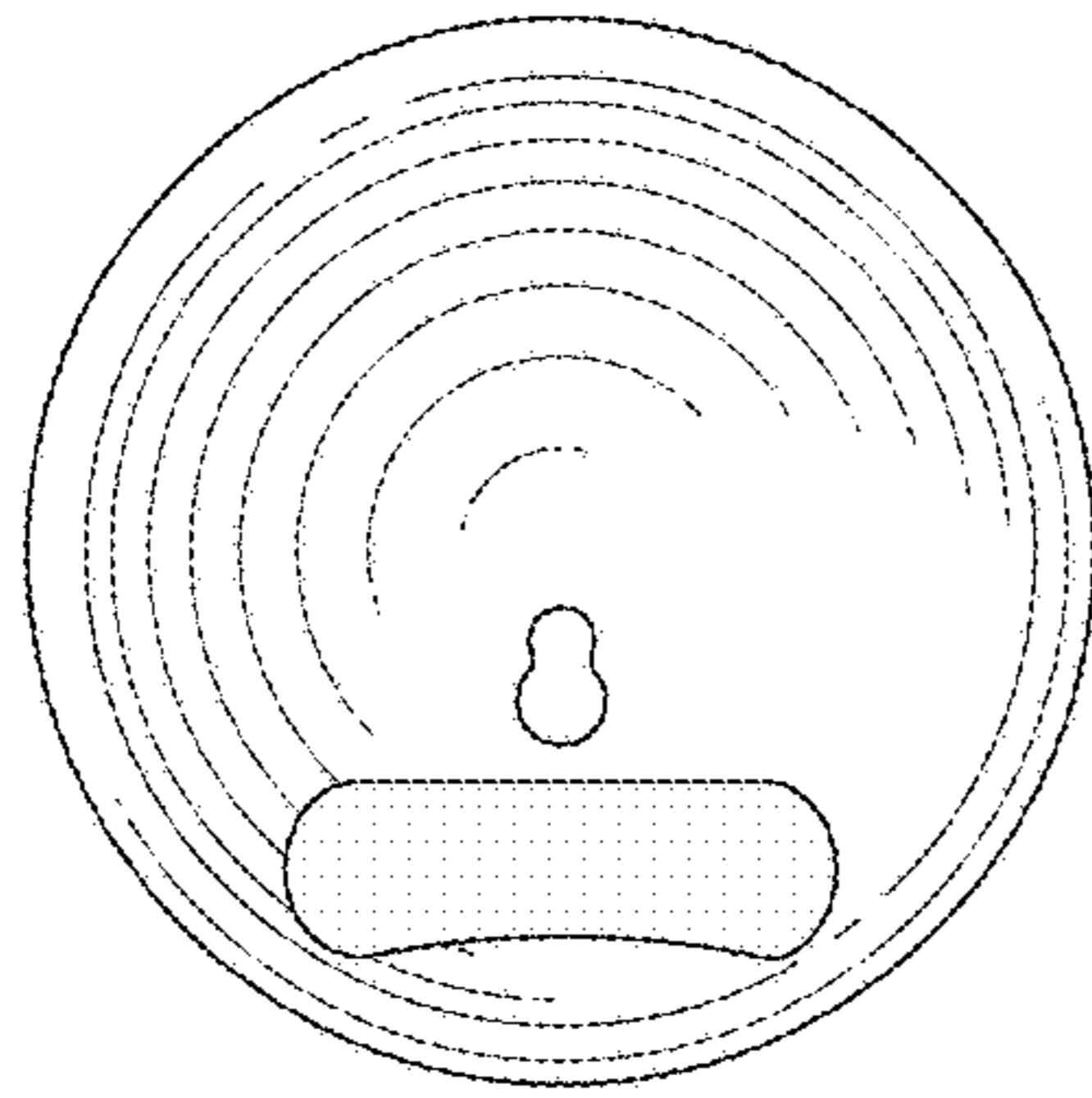


FIG. 17

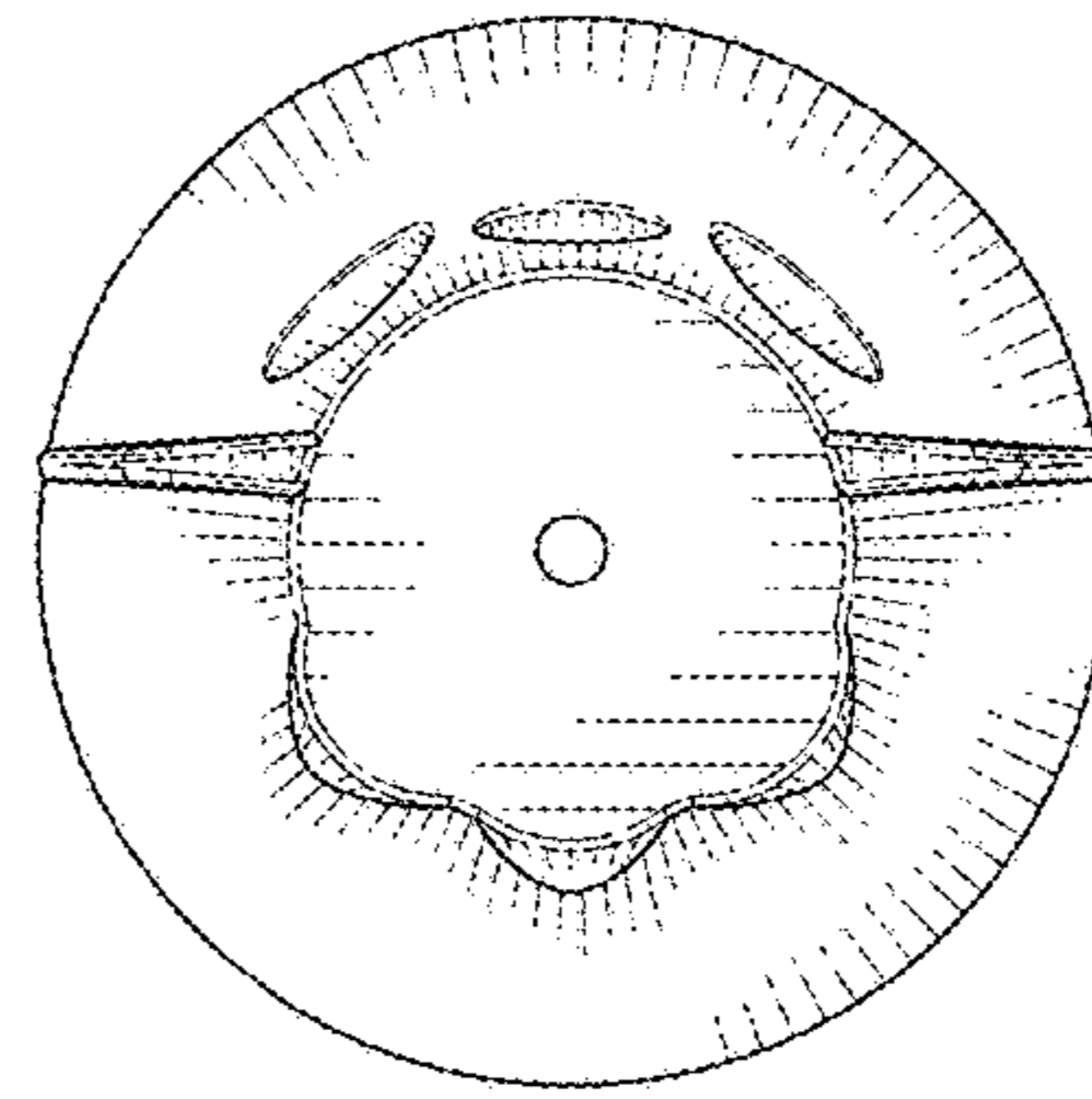


FIG. 18

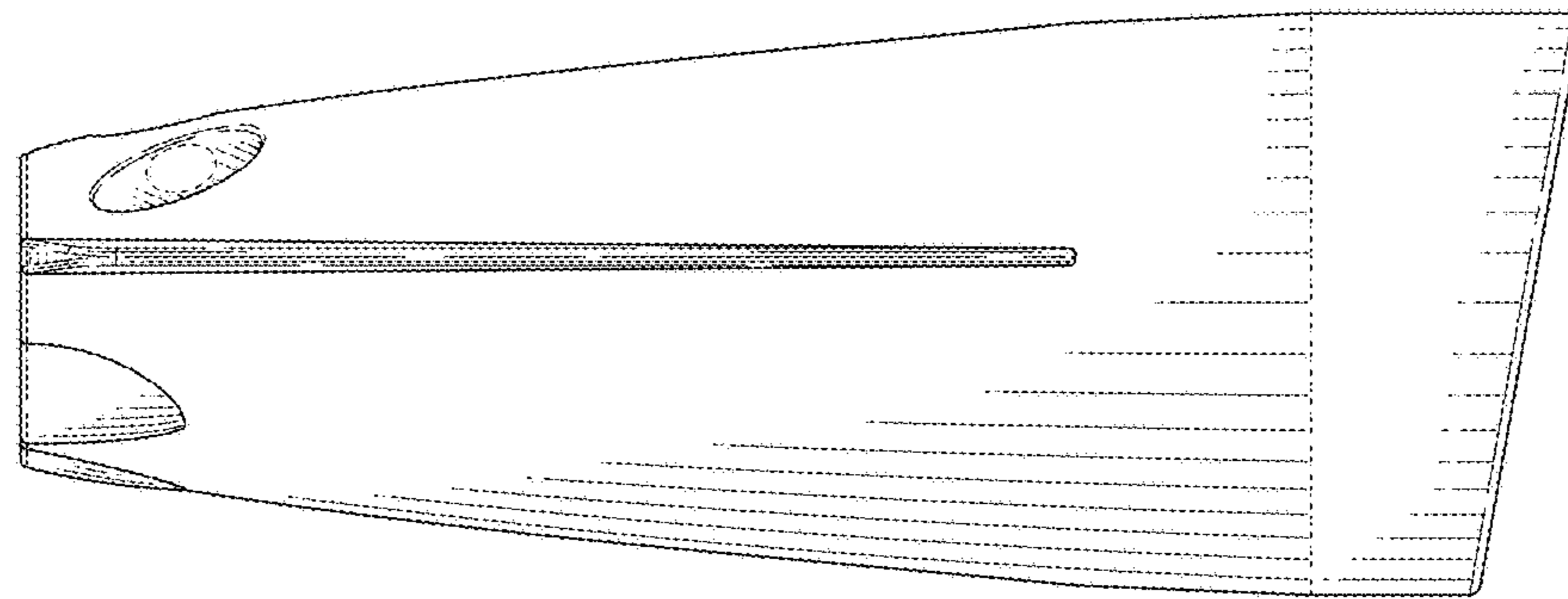


FIG. 19

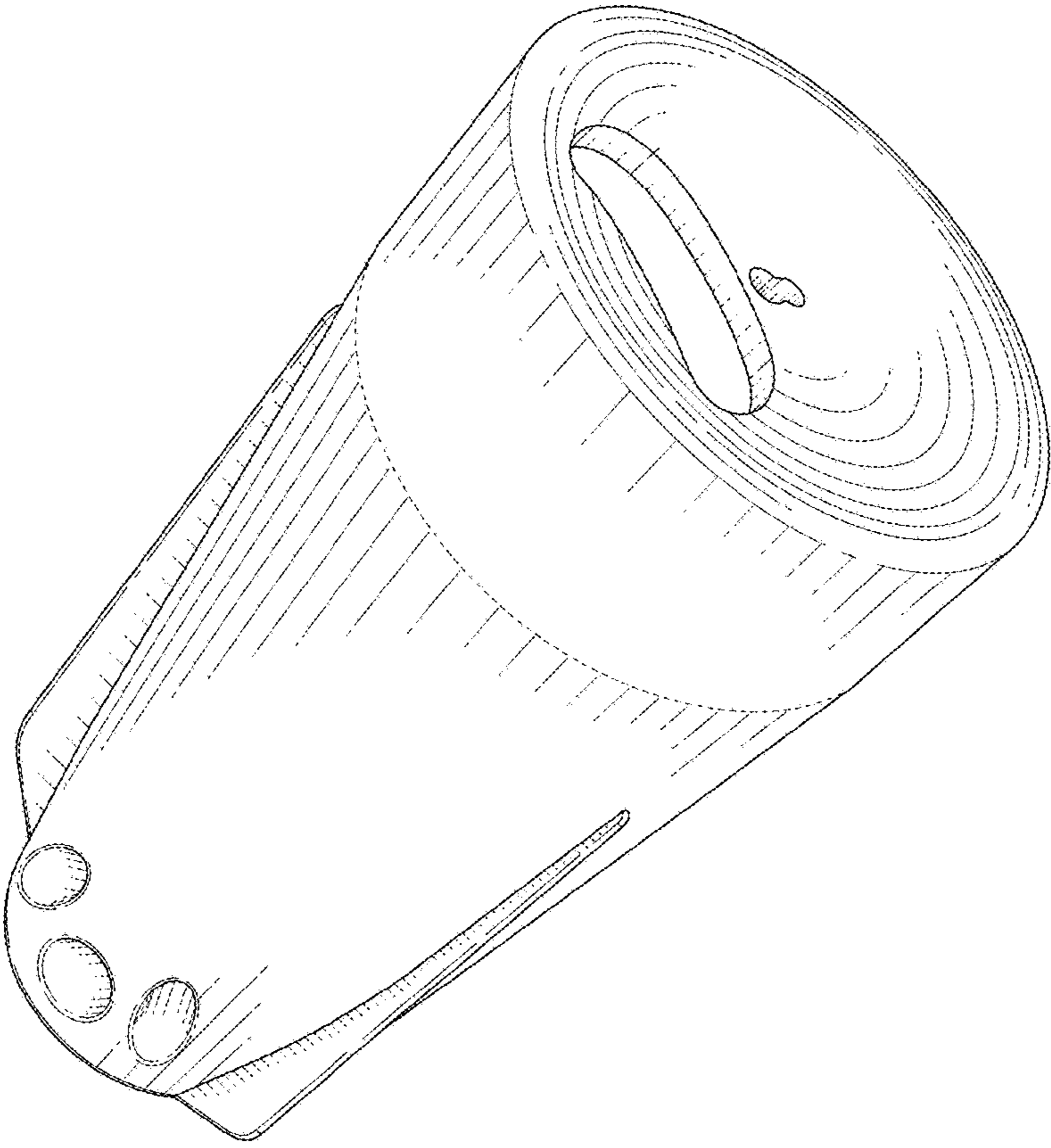


FIG. 20

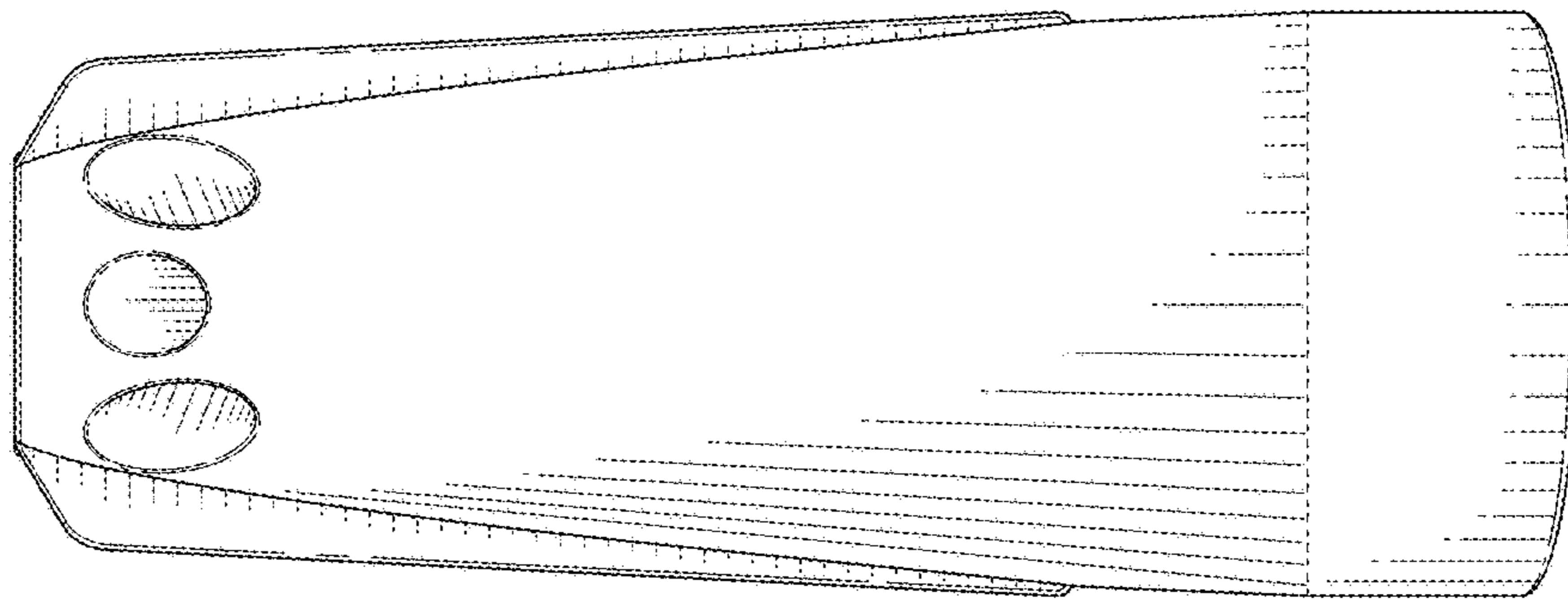


FIG. 21

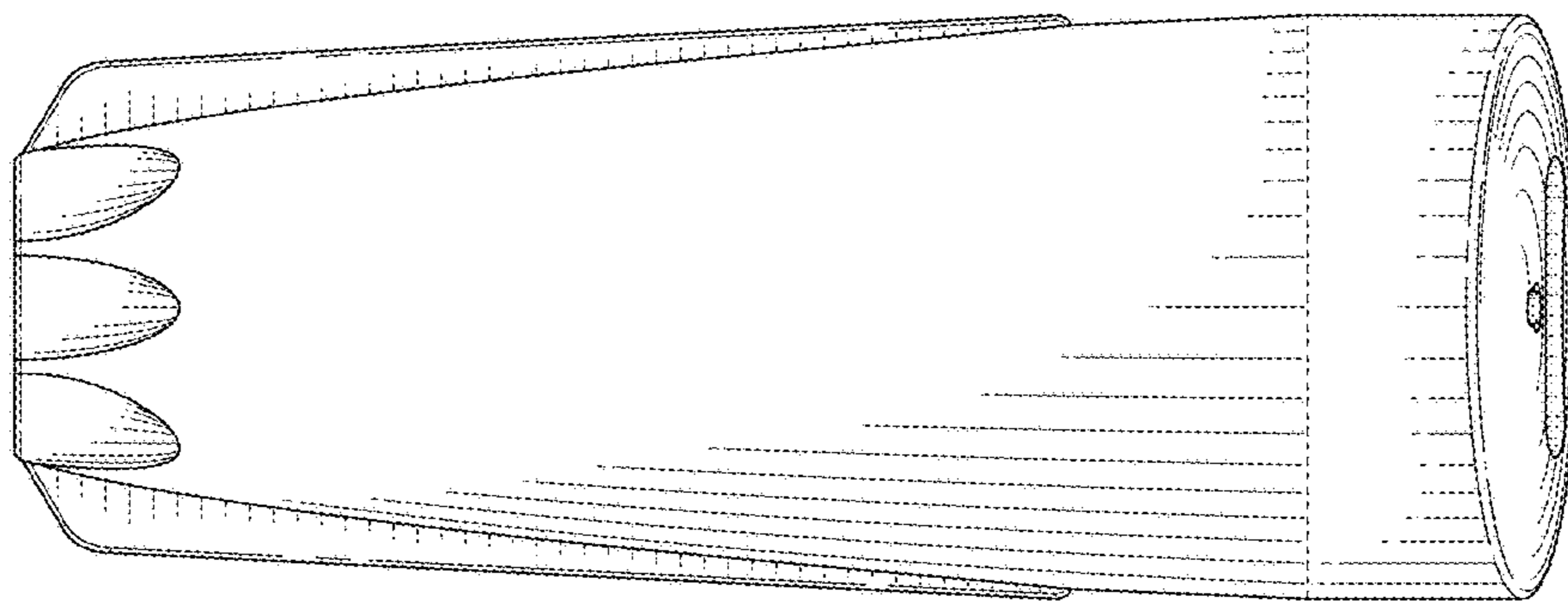


FIG. 22

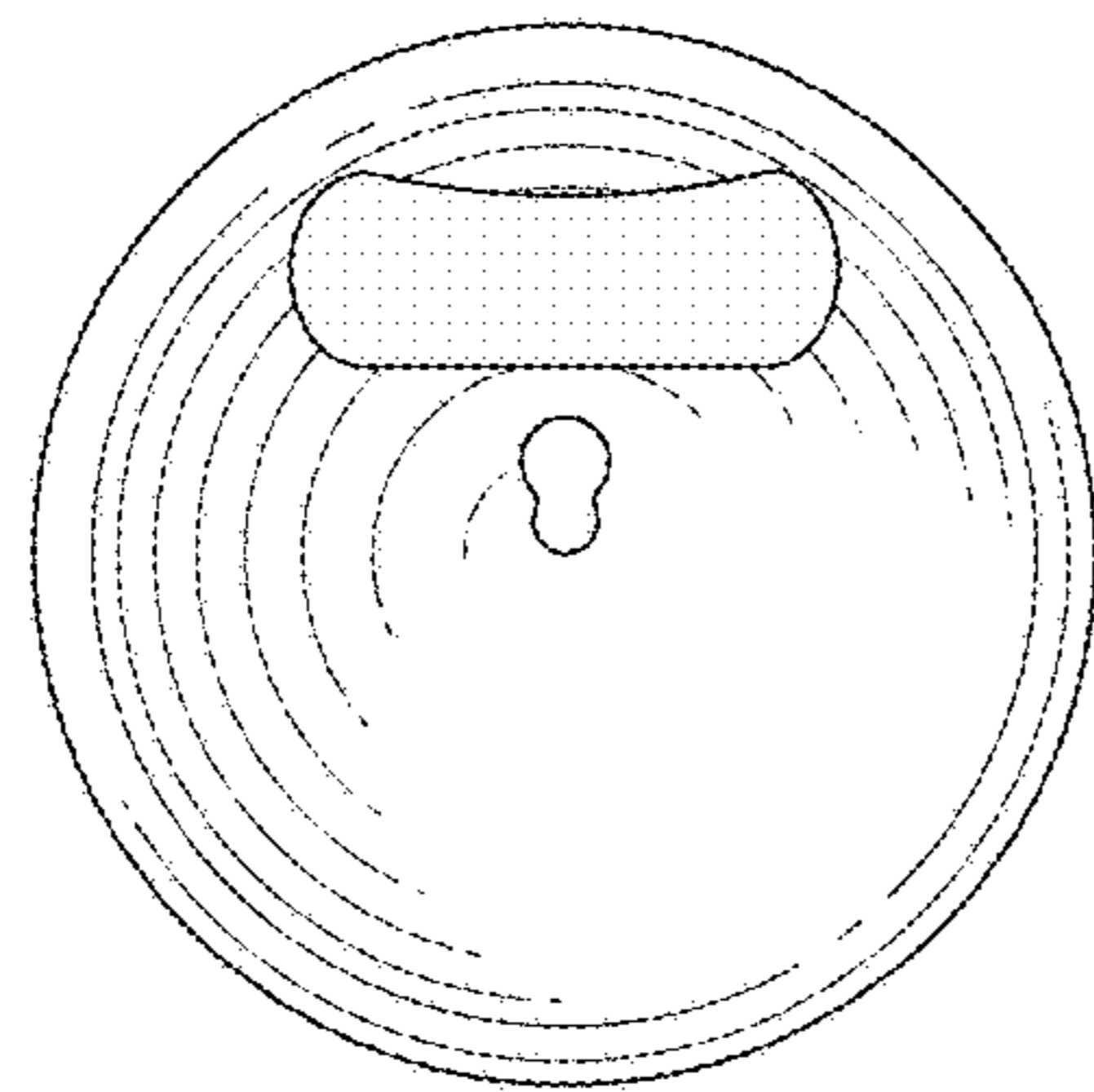


FIG. 23

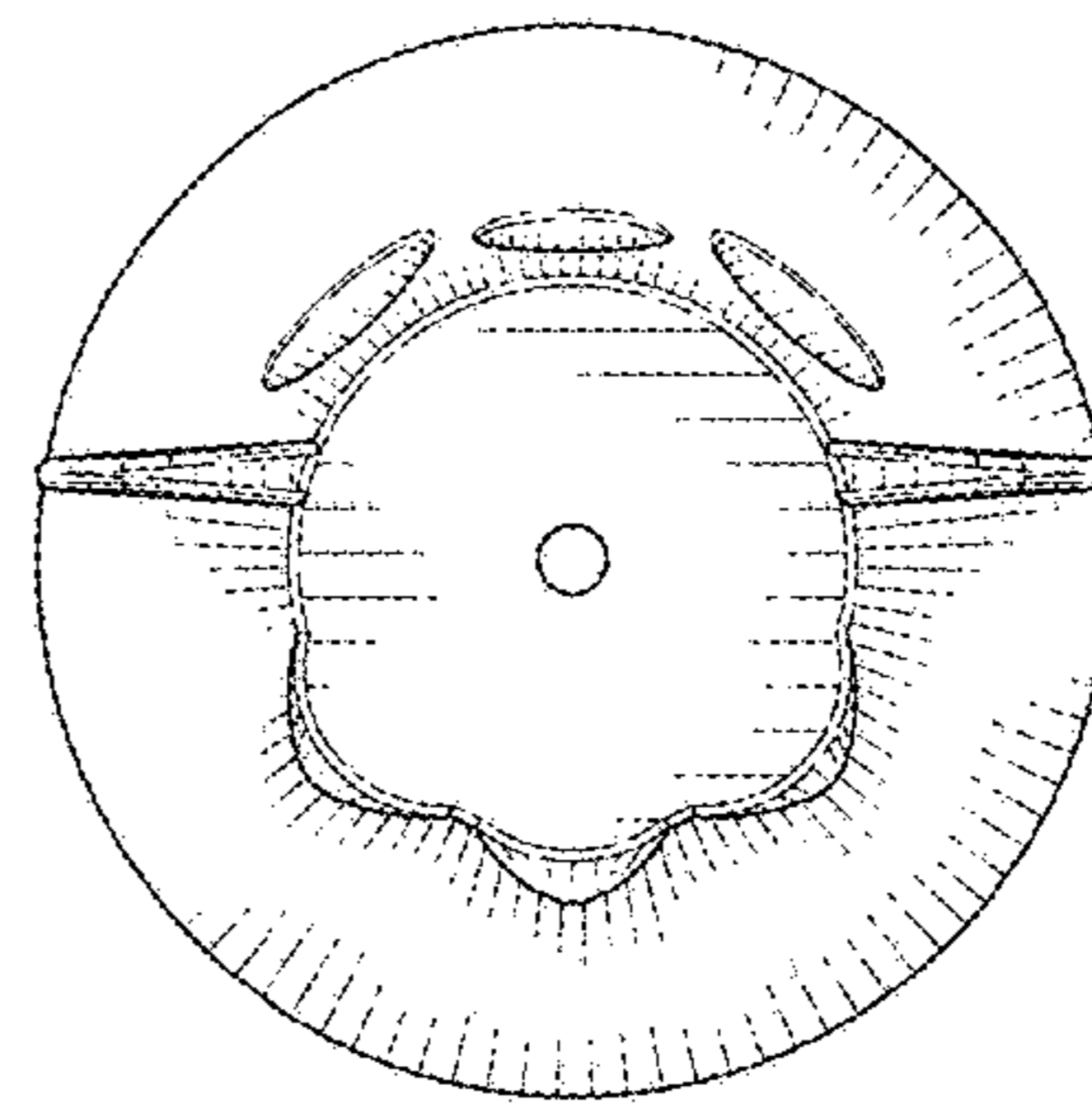


FIG. 24

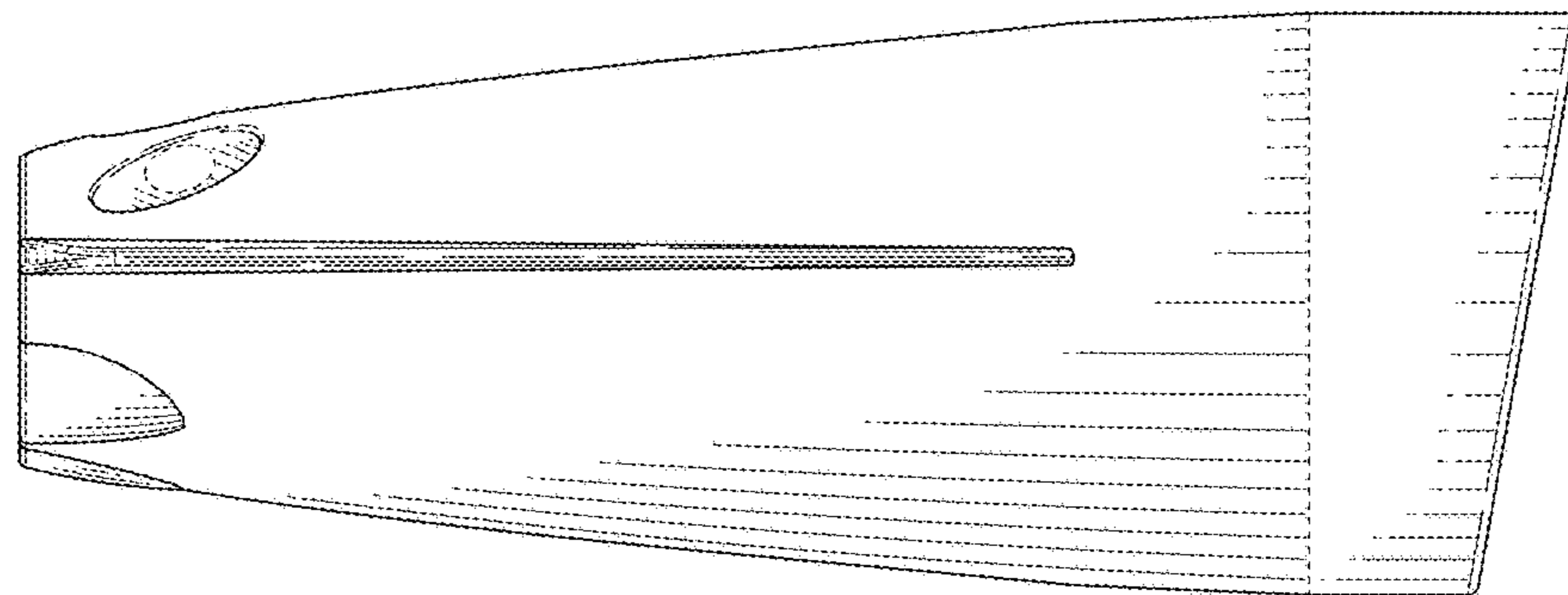


FIG. 25

UNITED STATES PATENT AND TRADEMARK OFFICE  
**CERTIFICATE OF CORRECTION**

PATENT NO. : D858,684 S  
APPLICATION NO. : 29/648432  
DATED : September 3, 2019  
INVENTOR(S) : Daniel J Bianchi

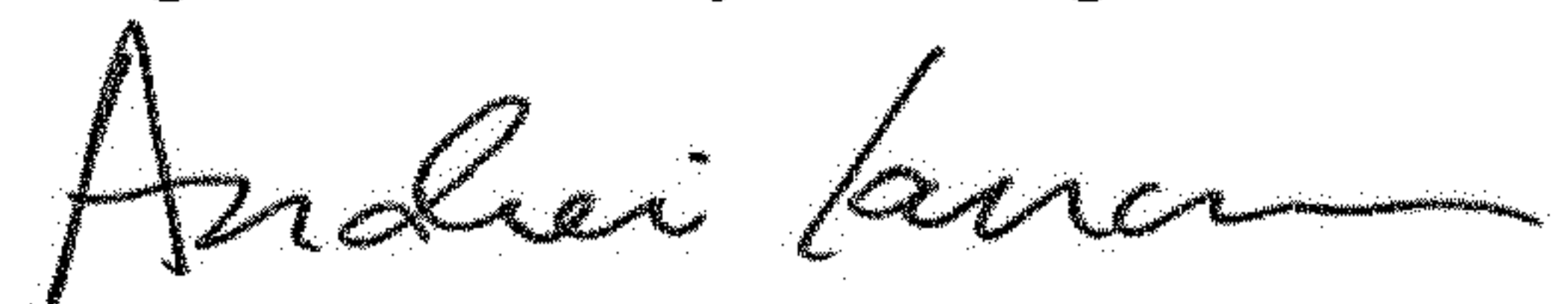
Page 1 of 1

It is certified that error appears in the above-identified patent and that said Letters Patent is hereby corrected as shown below:

On the Title Page

Item (72) Inventor should read:  
Daniel C Bianchi, Bradenton, FL (US)

Signed and Sealed this  
Eighteenth Day of August, 2020



Andrei Iancu  
*Director of the United States Patent and Trademark Office*