



US00D858683S

(12) **United States Design Patent** (10) **Patent No.:** **US D858,683 S**
Leier (45) **Date of Patent:** **** Sep. 3, 2019**

(54) **INSECT TRAP**
(71) Applicant: **EXPECTATIONS, LLC**, Puyallup, WA (US)
(72) Inventor: **Christopher Henry Leier**, Puyallup, WA (US)
(73) Assignee: **Expectations, LLC**, Buckley, WA (US)
(**) Term: **15 Years**

(21) Appl. No.: **29/653,028**
(22) Filed: **Jun. 12, 2018**
(51) **LOC (12) Cl.** **22-06**
(52) **U.S. Cl.**
USPC **D22/122**
(58) **Field of Classification Search**
USPC D22/119-124; 43/107, 112-114, 121, 43/131, 132.1
CPC A01M 1/02; A01M 1/10; A01M 1/20; A01M 1/2005; A01M 1/2011; A01M 1/106; A01M 1/2016; A01M 31/008; A01M 2200/012; A01M 2200/011; A01M 25/004
See application file for complete search history.

(56) **References Cited**
U.S. PATENT DOCUMENTS
D50,904 S * 6/1917 Czema 43/122
1,387,716 A * 8/1921 Frances A01M 1/02
43/122

D359,790 S * 6/1995 Blotnick D22/122
D694,849 S * 12/2013 Ots D22/122
D778,398 S 2/2017 Leier et al.
D778,399 S 2/2017 Leier et al.
D825,711 S * 8/2018 Jaffrey D22/122
D831,782 S * 10/2018 Zhang D22/122
D831,783 S * 10/2018 Willert D22/122
2008/0196296 A1 8/2008 Studer et al.
2016/0366870 A1 12/2016 Leier et al.
2017/0273292 A1 9/2017 Leier et al.

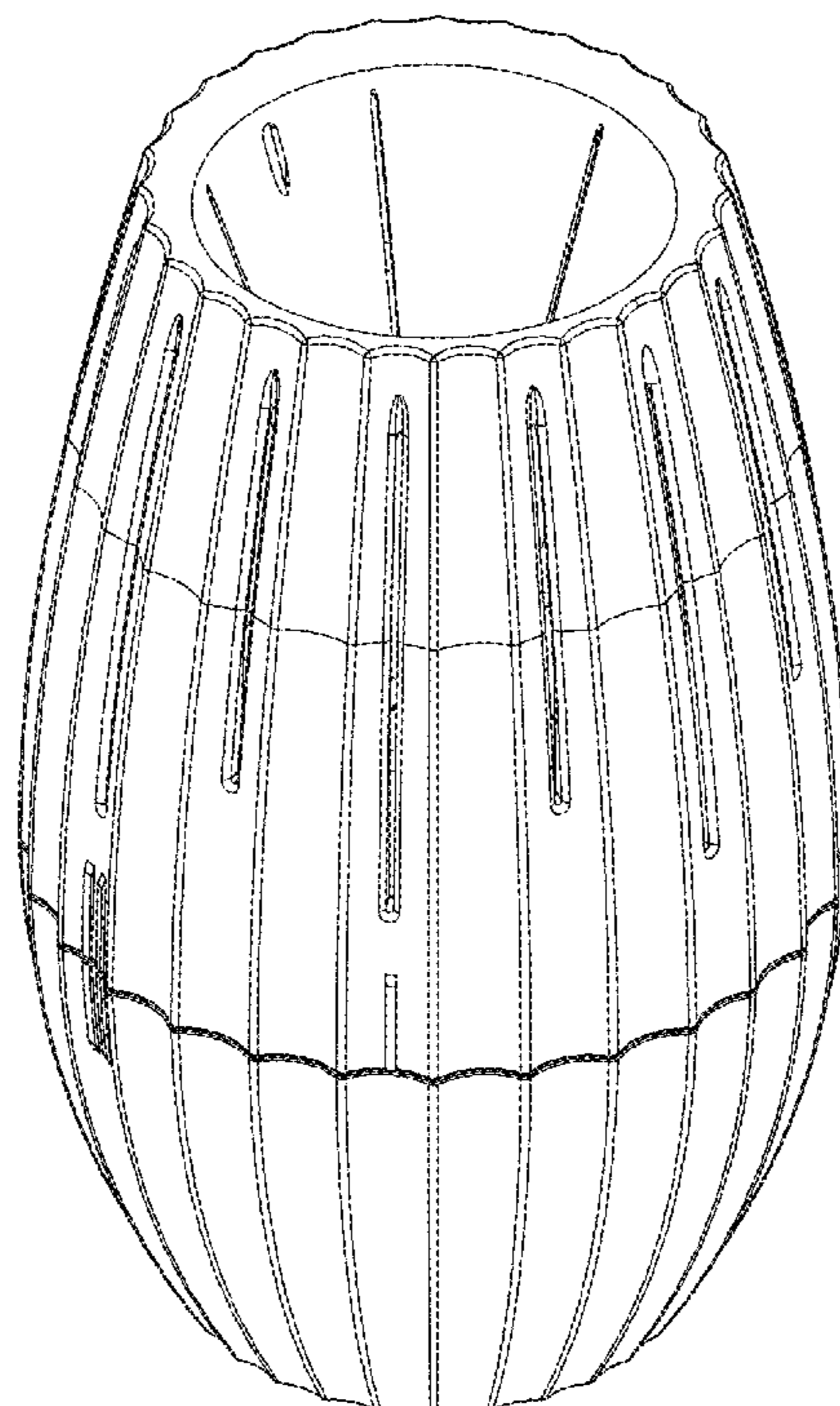
* cited by examiner

Primary Examiner — Catherine R Oliver-Garcia
(74) *Attorney, Agent, or Firm* — Dicke, Billig & Czaja, PLLC

(57) **CLAIM**
The ornamental design for an insect trap, as shown and described herein.

DESCRIPTION
FIG. 1 is a front view of an insect trap;
FIG. 2 is a first side view of the insect trap;
FIG. 3 is a second side view of insect trap;
FIG. 4 is a rear view of the insect trap;
FIG. 5 is a top view of the insect trap with a hanger removed;
FIG. 6 is a bottom view of the insect trap; and,
FIG. 7 is a perspective view of the insect trap with the hanger removed.
Those portions of the insect trap shown in broken lines are included for illustrative purposes only and form no part of the claimed design.

1 Claim, 7 Drawing Sheets



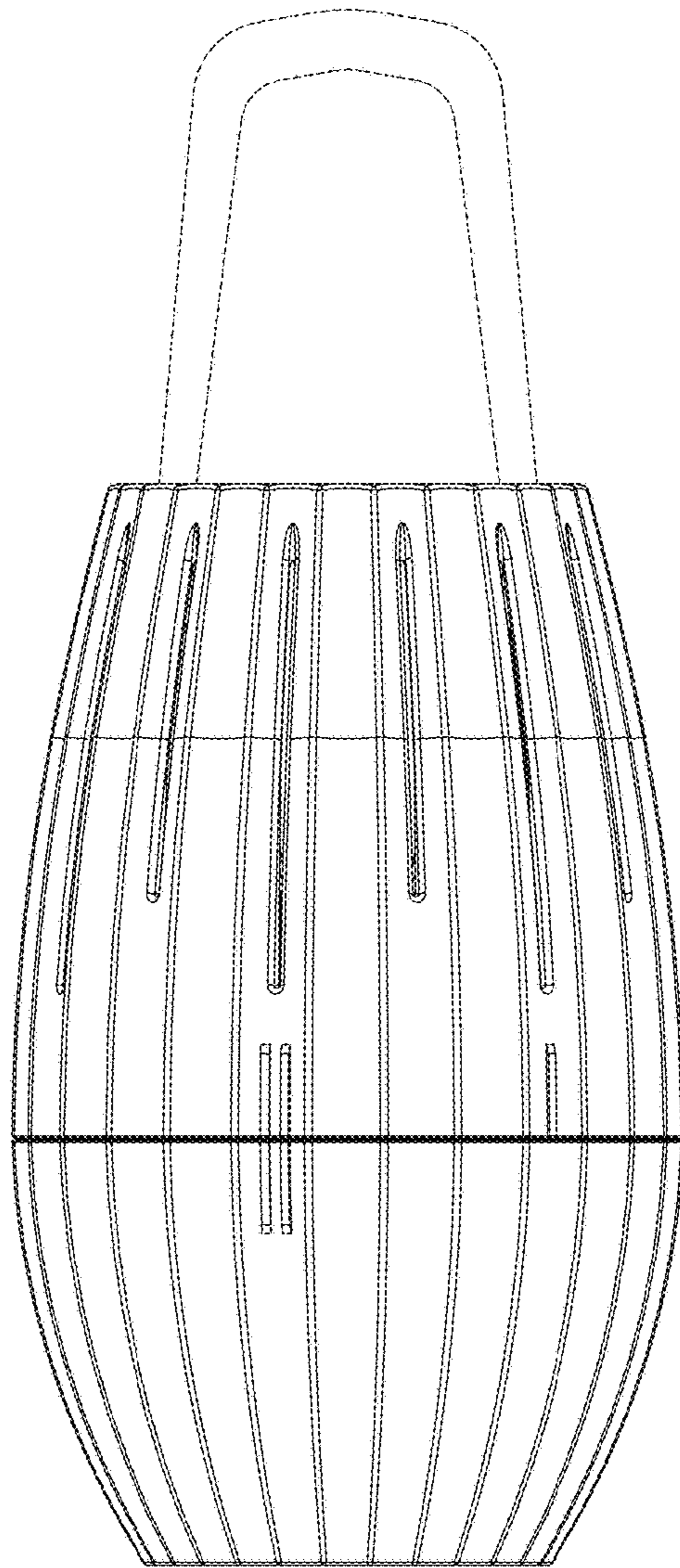


FIG. 1

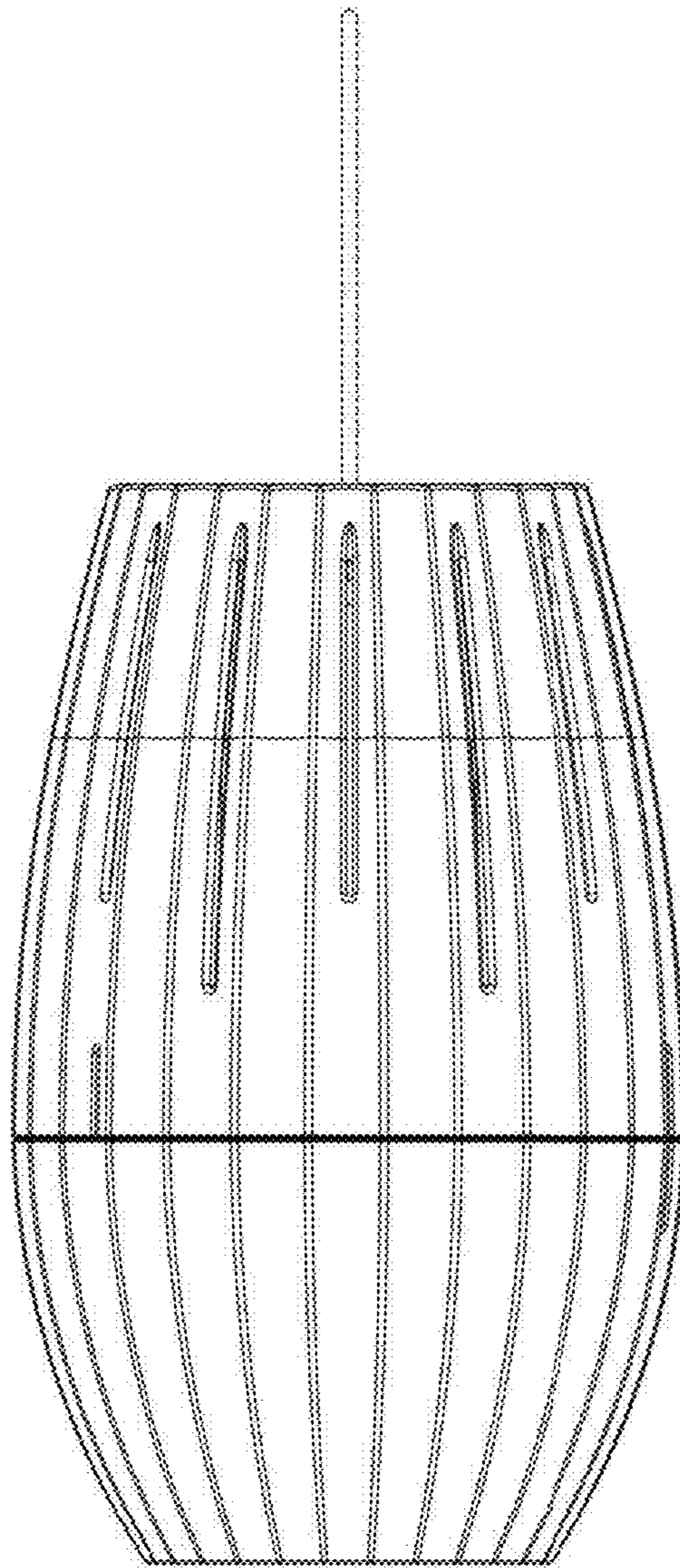


FIG. 2

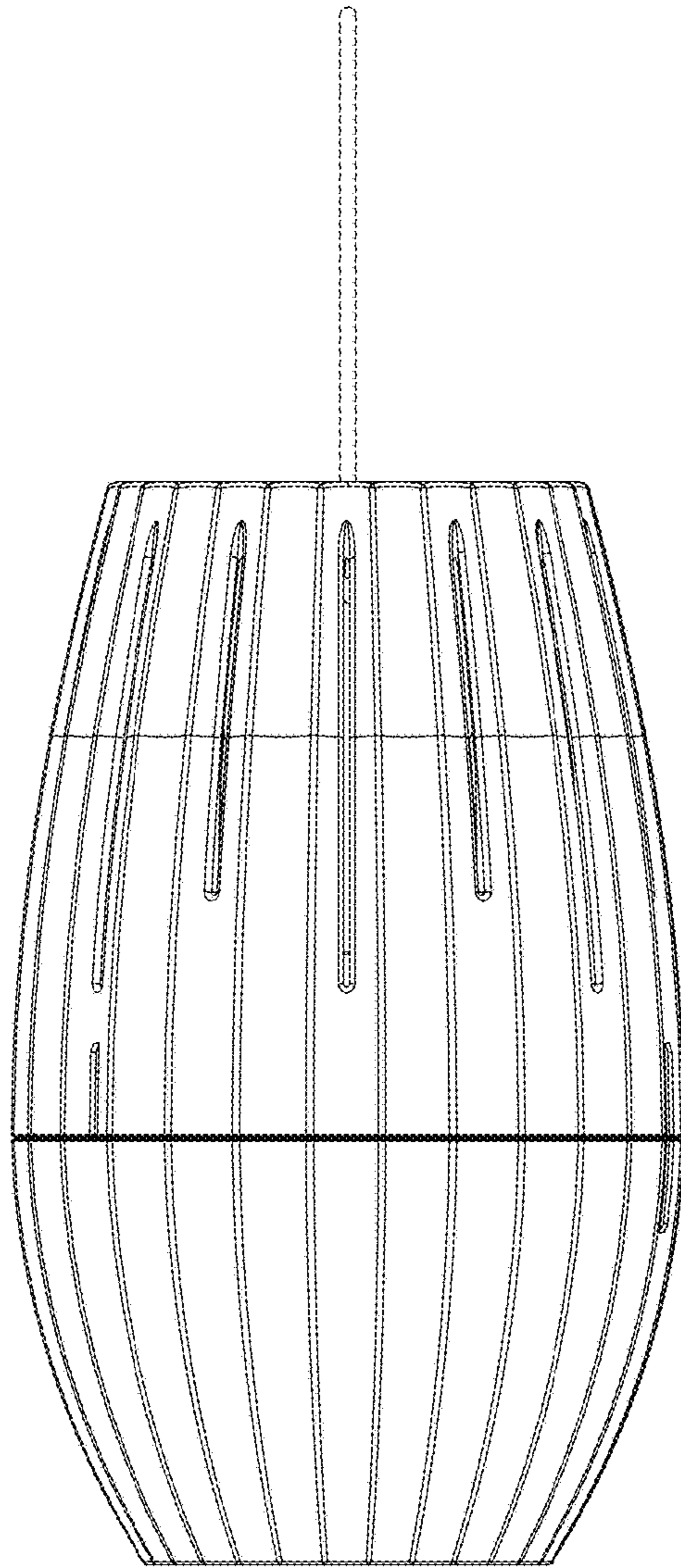


FIG. 3

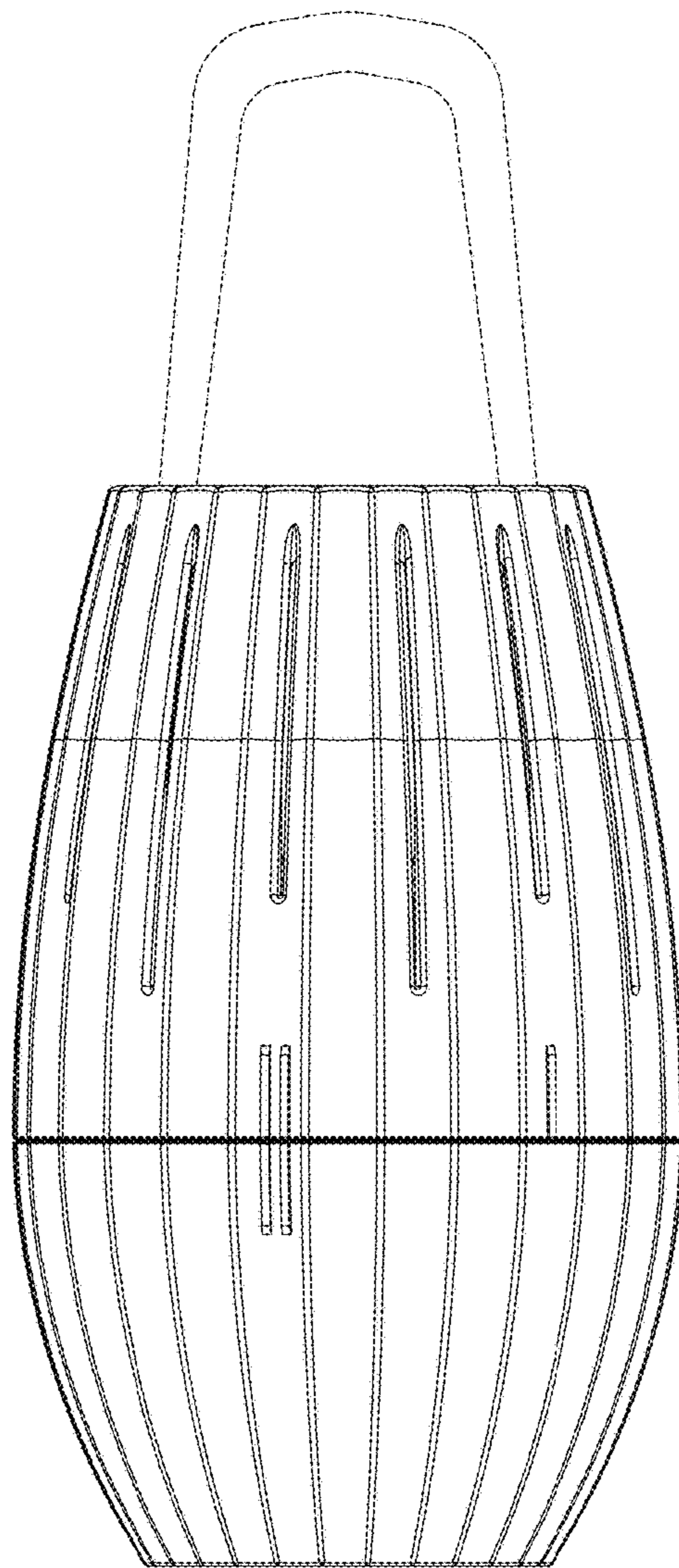


FIG. 4

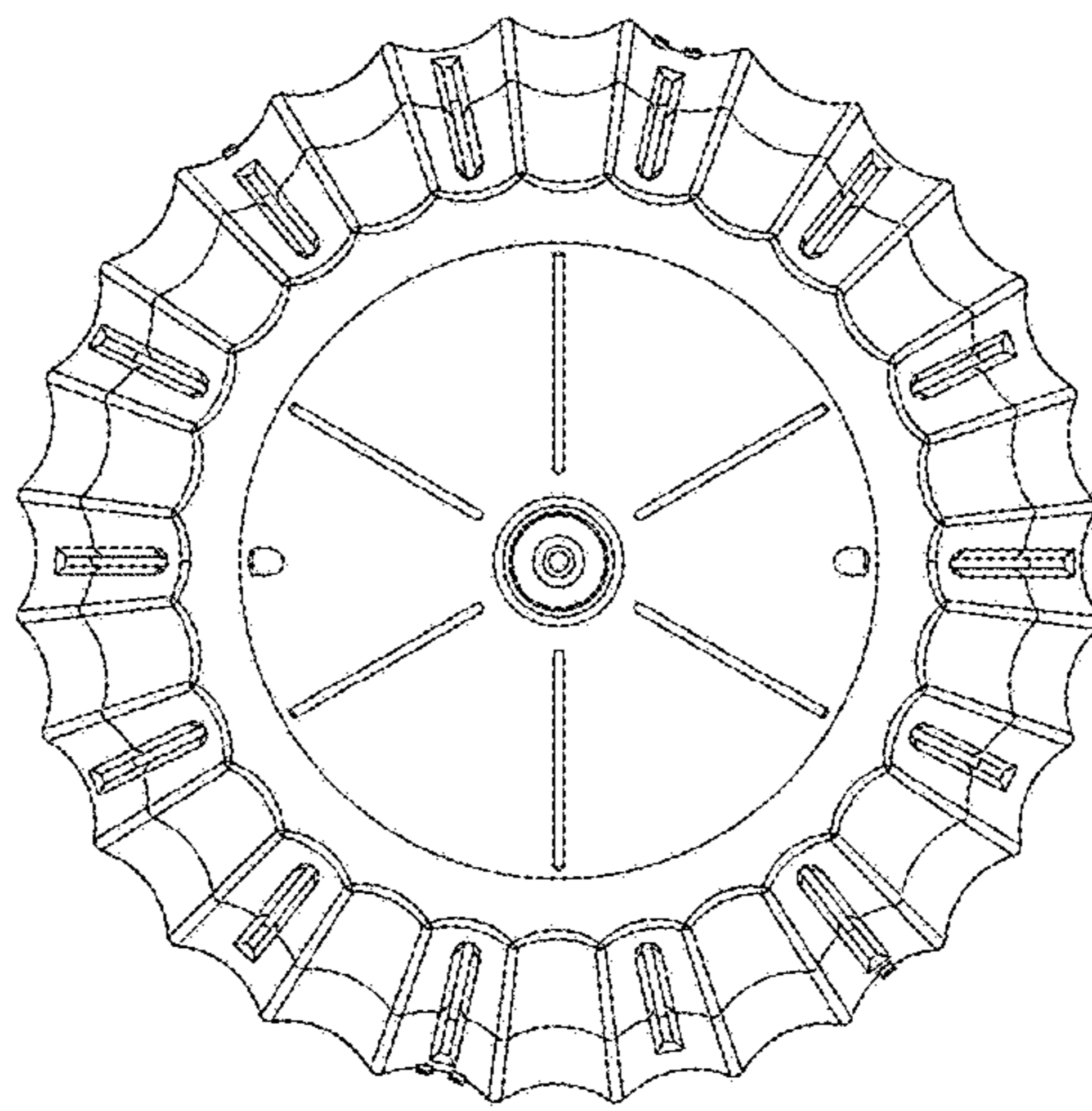


FIG. 5

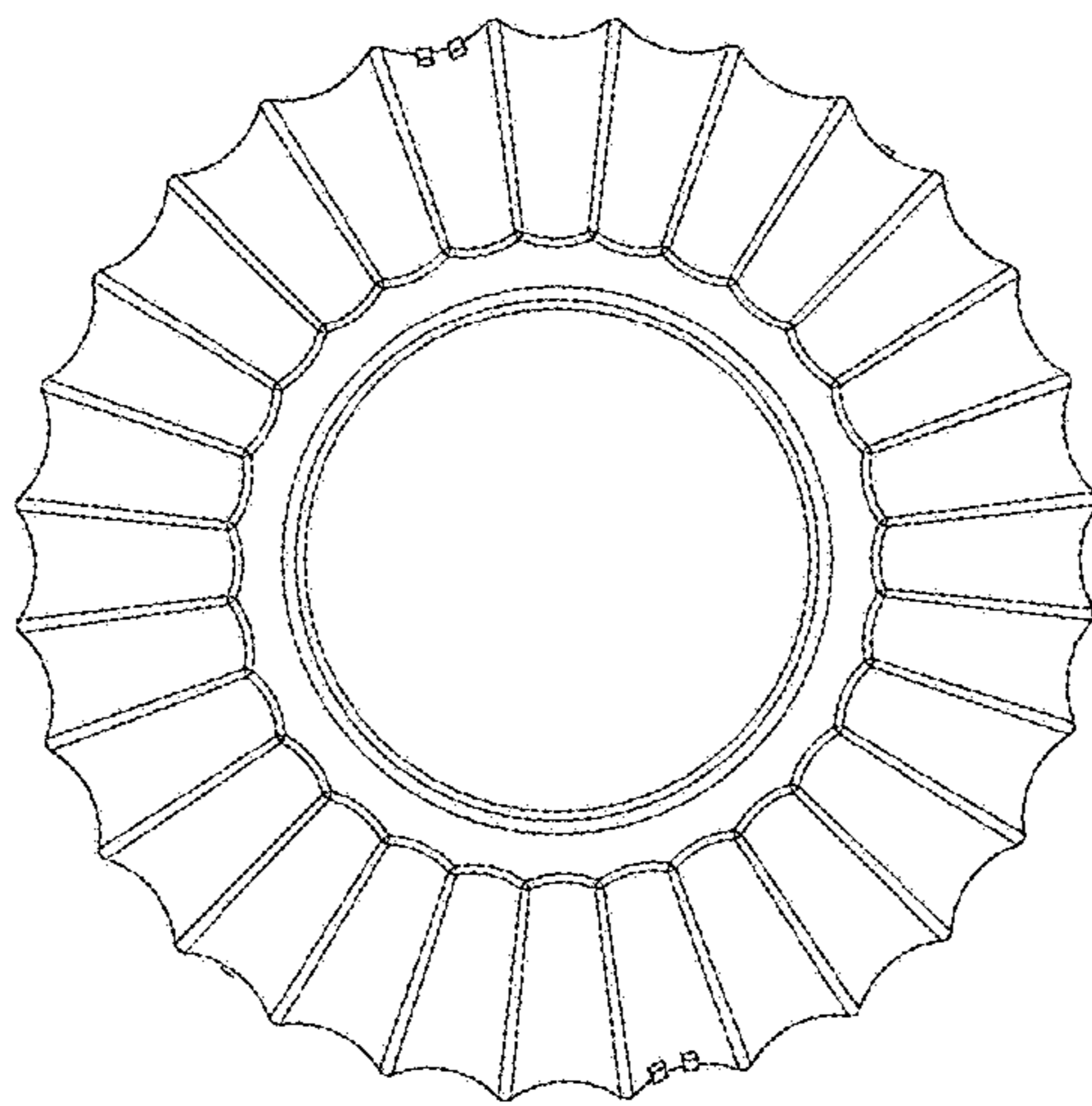


FIG. 6

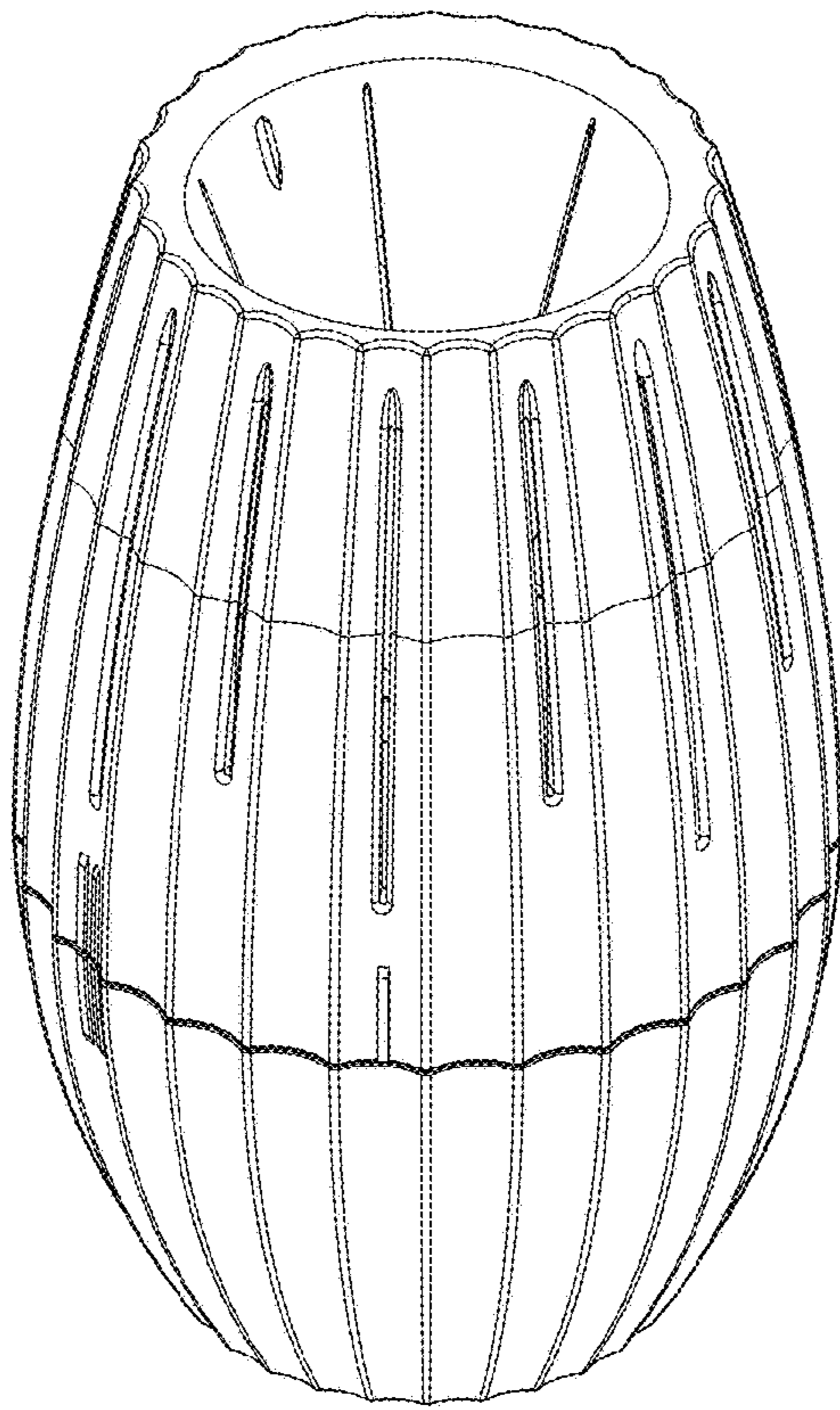


FIG. 7