



US00D858682S

(12) **United States Design Patent**
Couch et al.

(10) **Patent No.: US D858,682 S**
(45) **Date of Patent: ** Sep. 3, 2019**

(54) **HANDGUN PROJECTILE**

FOREIGN PATENT DOCUMENTS

(71) Applicant: **Count-On Tools, Inc.**, Gainesville, GA (US)

FR 2602042 A1 1/1988
WO 2015/022377 A1 2/2015

(72) Inventors: **Curtis Larry Couch**, Santa Rosa Beach, FL (US); **Jackson T. Strayhorn**, Cleveland, GA (US); **James C. Cash**, Gainesville, GA (US); **Alexis Z. Shook**, Alto, GA (US)

OTHER PUBLICATIONS

“Subsonic Reloading the Lehigh Defense 300 Blackout 168 gr Controlled Fracturing Bullet, Part II” [online], AP2020 Outdoors Adventures. [Published on Aug. 9, 2016]. Retrieved from the internet: <<https://www.youtube.com/watch?v=fkptDblf53c>> , 1 page.

(Continued)

(73) Assignee: **COUNT-ON TOOLS, INC.**, Gainesville, GA (US)

Primary Examiner — Michael A. Pratt

(**) Term: **15 Years**

(74) *Attorney, Agent, or Firm* — Rankin, Hill & Clark LLP

(21) Appl. No.: **29/623,597**

(57) **CLAIM**

The ornamental design for a handgun projectile, as shown and described.

(22) Filed: **Oct. 25, 2017**

DESCRIPTION

(51) **LOC (12) Cl.** **22-04**

(52) **U.S. Cl.**
USPC **D22/116**

(58) **Field of Classification Search**
USPC D22/115–116
CPC F41A 9/83; F41A 9/82; F41A 9/01; F41A 9/09; F41A 9/86; F42B 30/02; F42B 5/02; F42B 5/26; F42B 12/34; F42B 8/04; F42B 10/22; F42B 8/14
See application file for complete search history.

FIG. 1 is an exploded top perspective view of a handgun projectile;
FIG. 2 is a bottom perspective view thereof;
FIG. 3 is an elevational view thereof;
FIG. 4 is a top plan view thereof;
FIG. 5 is a bottom plan view thereof;
FIG. 6 is a combined top perspective view of the handgun projectile;
FIG. 7 is a bottom perspective view thereof;
FIG. 8 is an elevational view thereof;
FIG. 9 is a top plan view thereof;
FIG. 10 is a bottom plan view thereof;
FIG. 11 is a sectional view;
FIG. 12 is a perspective view is an alternate embodiment;
FIG. 13 is an elevational view thereof; and,
FIG. 14 is a sectional view.

The broken line shown are included for the purpose of illustrating environment and forms no part of the claimed design.

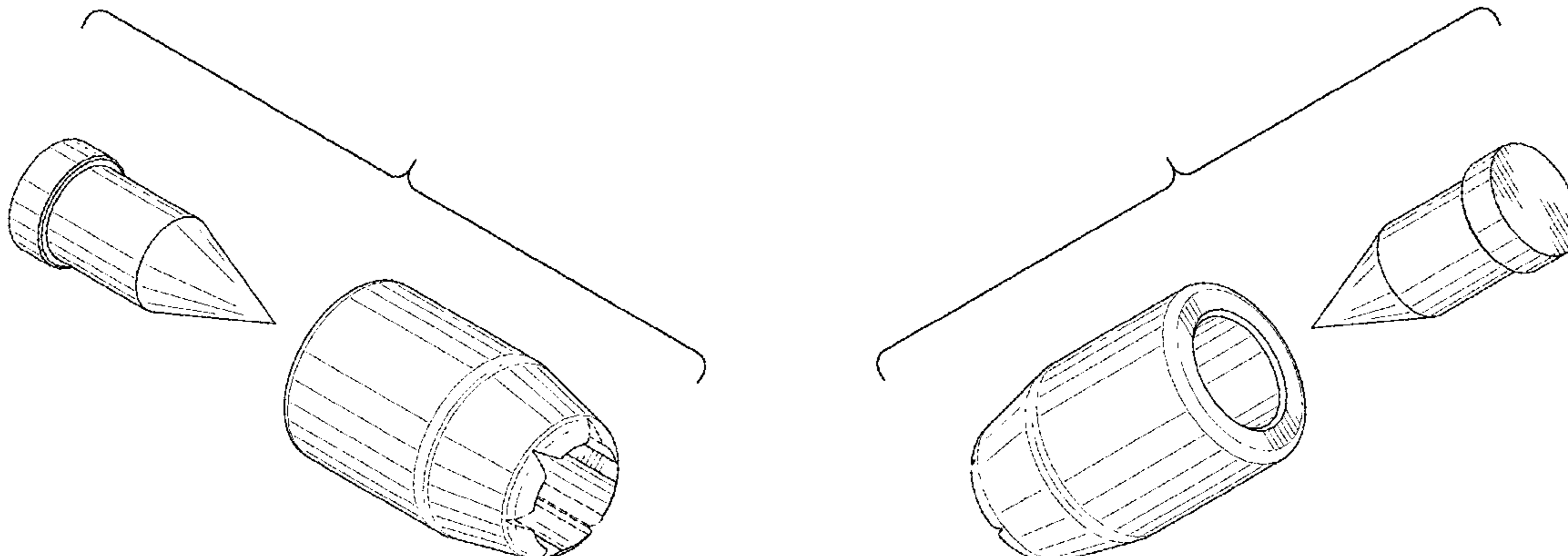
(56) **References Cited**

U.S. PATENT DOCUMENTS

280,067 A * 6/1883 Mulvey F42B 39/00
206/3
1,447,478 A 3/1923 Koshollek et al.
2,324,346 A 7/1943 Albree
2,493,938 A 1/1950 Albree
2,617,359 A 11/1952 Van Horn et al.
2,620,190 A 12/1952 Bean
3,086,467 A 4/1963 Gallagher et al.

(Continued)

1 Claim, 12 Drawing Sheets



(56)

References Cited

U.S. PATENT DOCUMENTS

3,181,507 A 5/1965 Dannebaum
 3,672,304 A 6/1972 Rogers et al.
 4,559,876 A 12/1985 Bocker et al.
 4,597,333 A 7/1986 Bocker et al.
 4,964,341 A 10/1990 Hebert
 D357,700 S 4/1995 Oka
 D389,221 S 1/1998 Borg
 D456,480 S 4/2002 Quinsa et al.
 D472,600 S 4/2003 Dehaan
 D480,422 S 10/2003 Belmondo
 6,776,101 B1 8/2004 Pickard
 6,887,008 B2 5/2005 Kitao et al.
 D621,468 S 8/2010 Nilsson
 7,814,837 B2 10/2010 Sauvestre
 D646,179 S 10/2011 Jansen
 D672,006 S 12/2012 Mok
 D708,291 S 7/2014 Pierce
 D751,167 S 3/2016 Chua et al.
 9,354,027 B2 5/2016 Flint et al.
 D768,802 S 10/2016 Bowers
 D770,005 S 10/2016 Christiansen et al.
 9,551,555 B2 1/2017 Flint et al.
 D780,876 S 3/2017 Boatright
 D791,266 S 7/2017 Burczynski et al.

D813,975 S 3/2018 White
 D821,536 S * 6/2018 Christiansen D22/116
 2003/0019385 A1 1/2003 LeaSure et al.
 2010/0263565 A1 10/2010 Hugus et al.

OTHER PUBLICATIONS

“Count on 160gr ASAT—Test Results” [online]. Snipercentral.com. [Retrieved on Dec. 8, 2018]. Retrieved from the internet: <<http://www.snipercentral.com/count-on-160gr-asat-test-results/>> , 4 pages.
 “Lehigh Defense 170gr 300 Blackout Controlled Fracturing” [online], Graham Baates. [Published on May 13, 2016]. Retrieved from the internet: <<https://www.youtube.com/watch?v=EKbb59WwOJM>> , 1 page.
 U.S. Notice of Allowance from U.S. Appl. No. 29/623,574, dated Dec. 28, 2018, 21 pages.
 International Search Report/Written Opinion, International Application No. PCT/US2018/057349 dated Jan. 18, 2019, 12 pages.
 U.S. Office Action, U.S. Appl. No. 16/169,586, dated Feb. 21, 2019, 22 pages.
 U.S. Notice of Allowance dated Mar. 13, 2019 from U.S. Appl. No. 29/623,574, 14 pages.
 U.S. Appl. No. 29/623,574, filed Oct. 25, 2017, 13 pages.

* cited by examiner

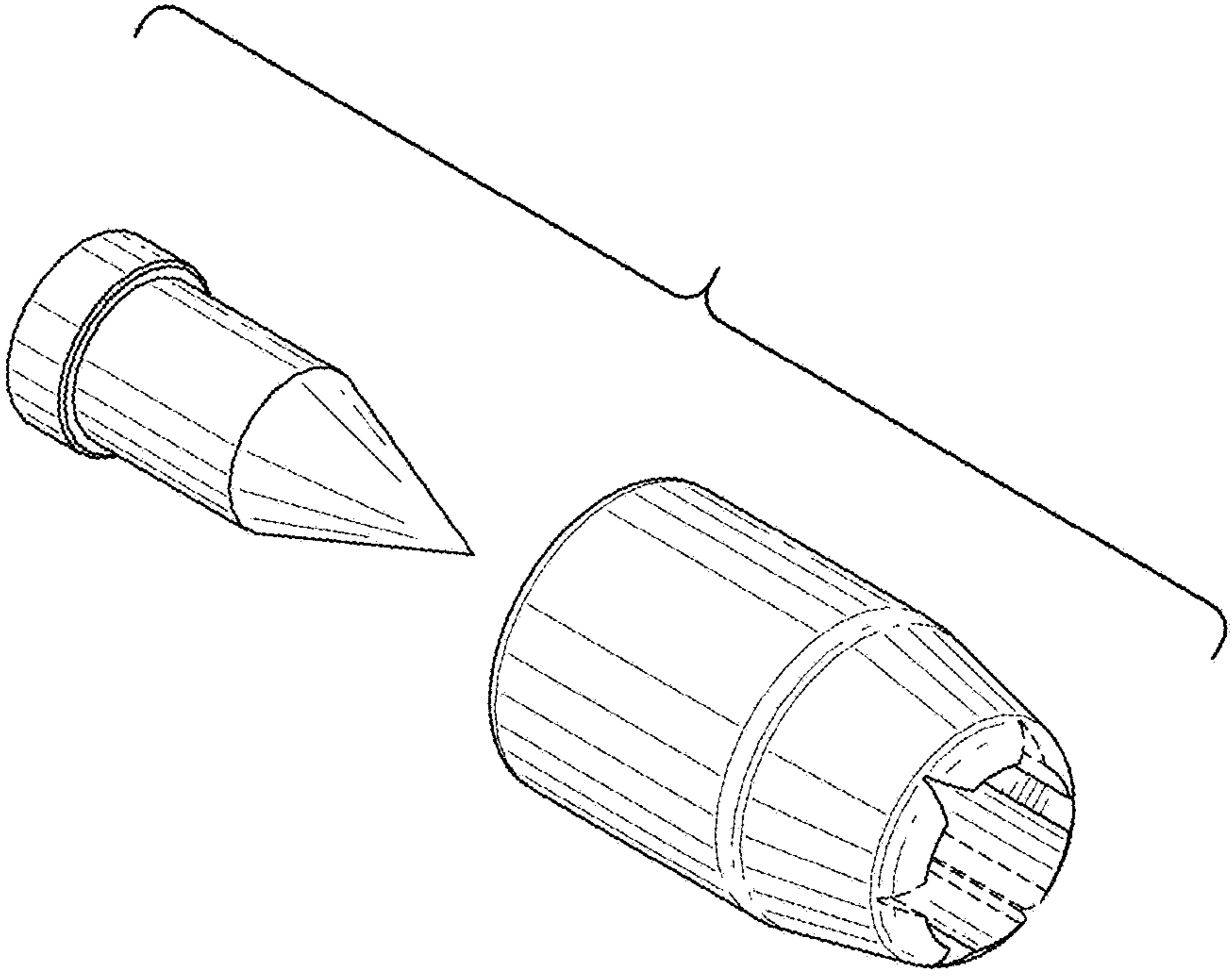


FIG. 1

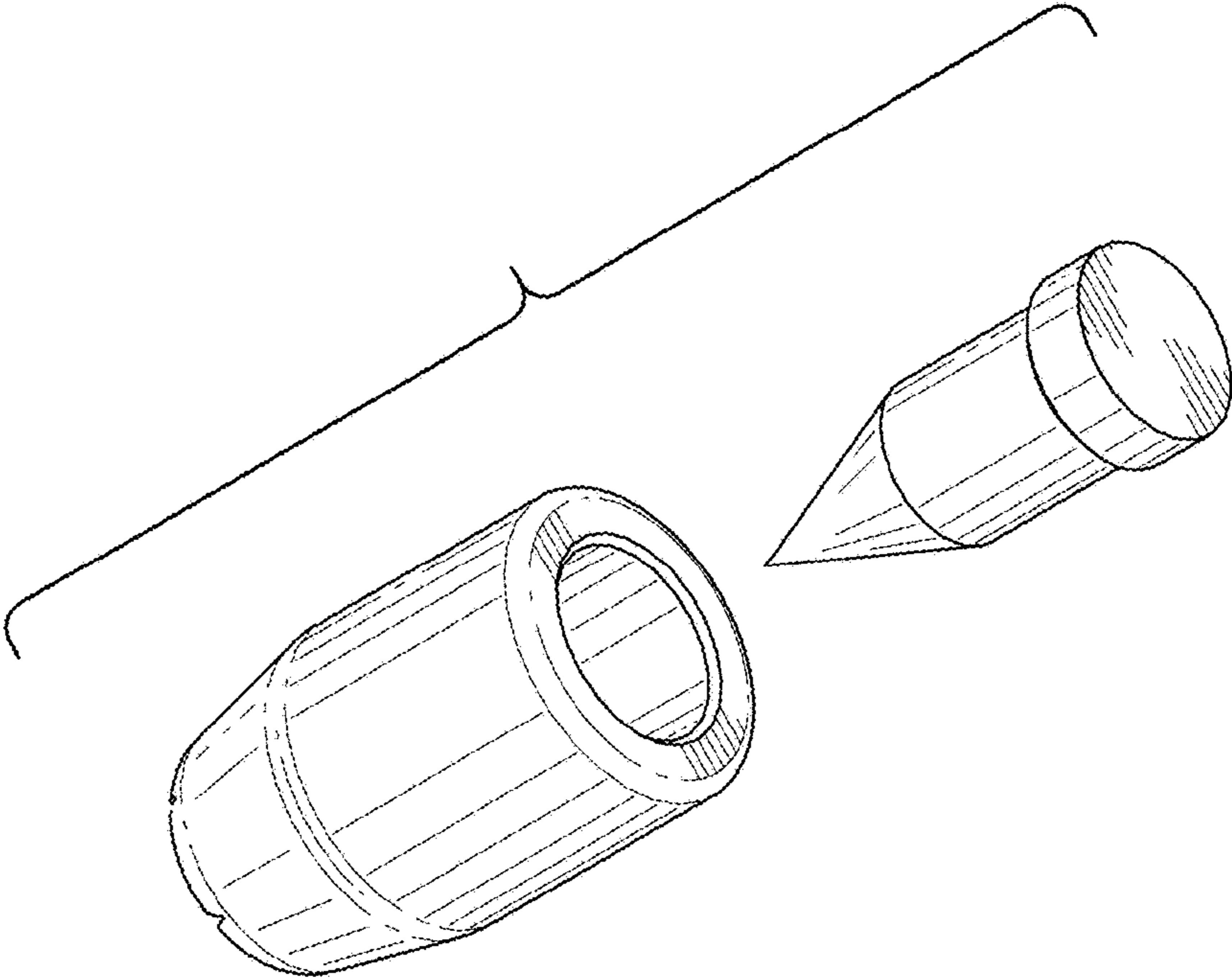


FIG.2

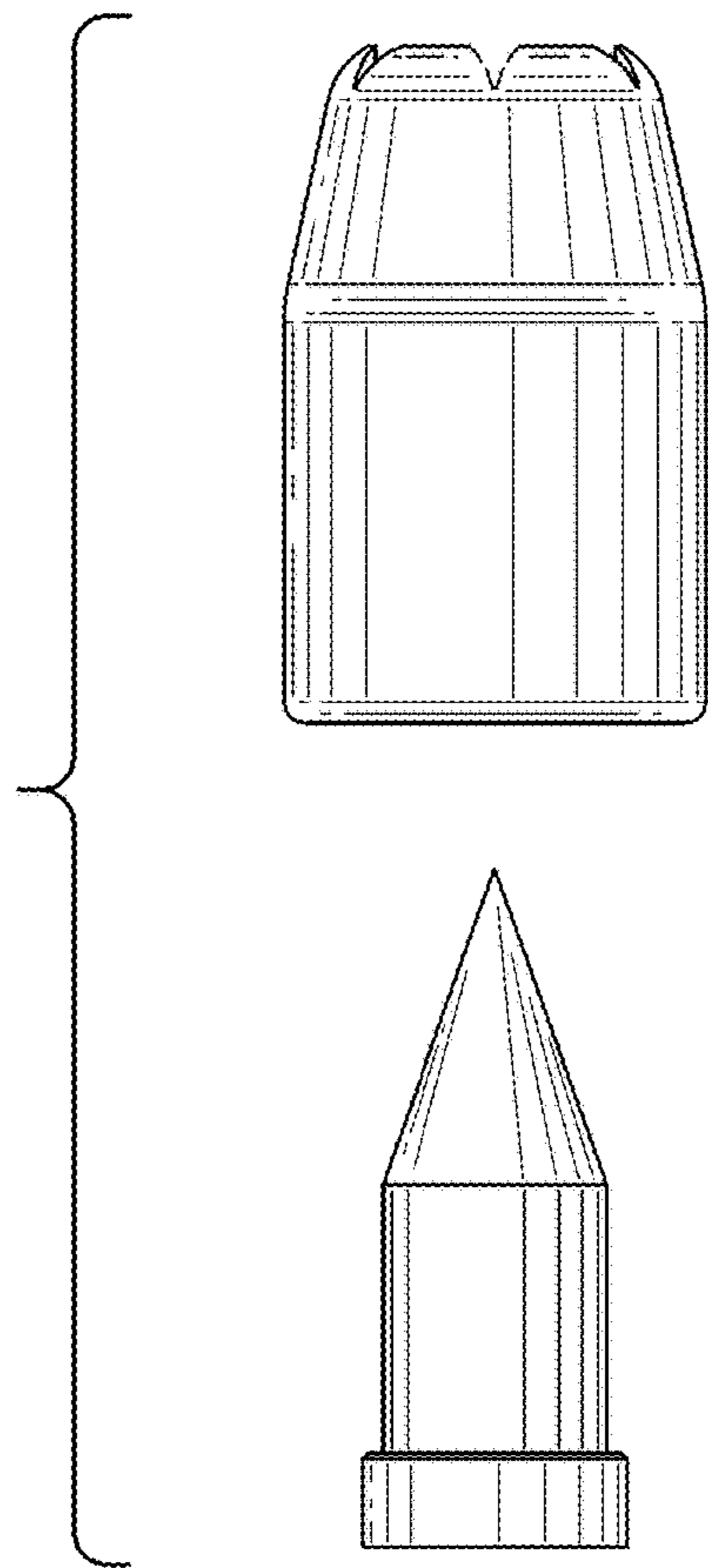


FIG.3

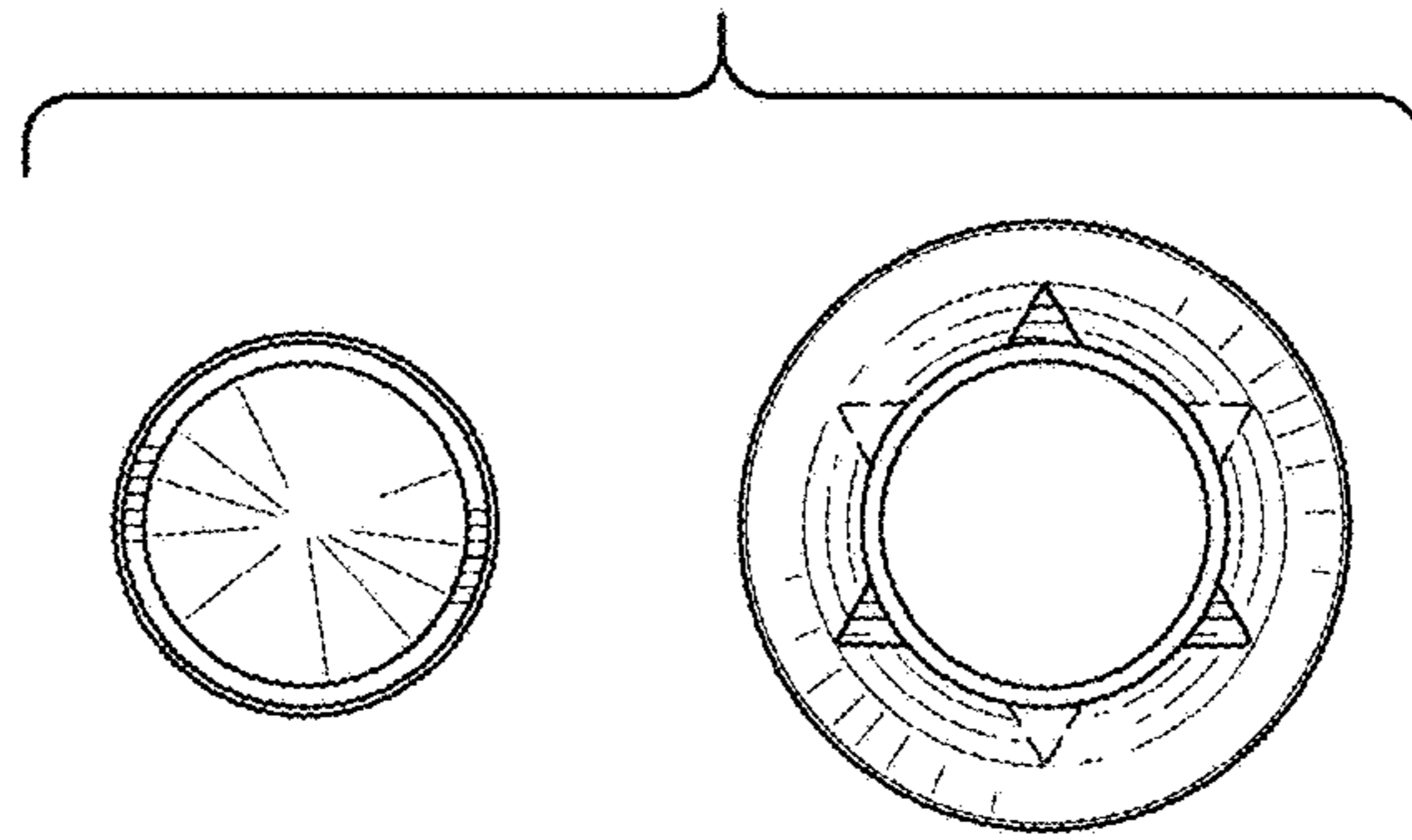


FIG. 4

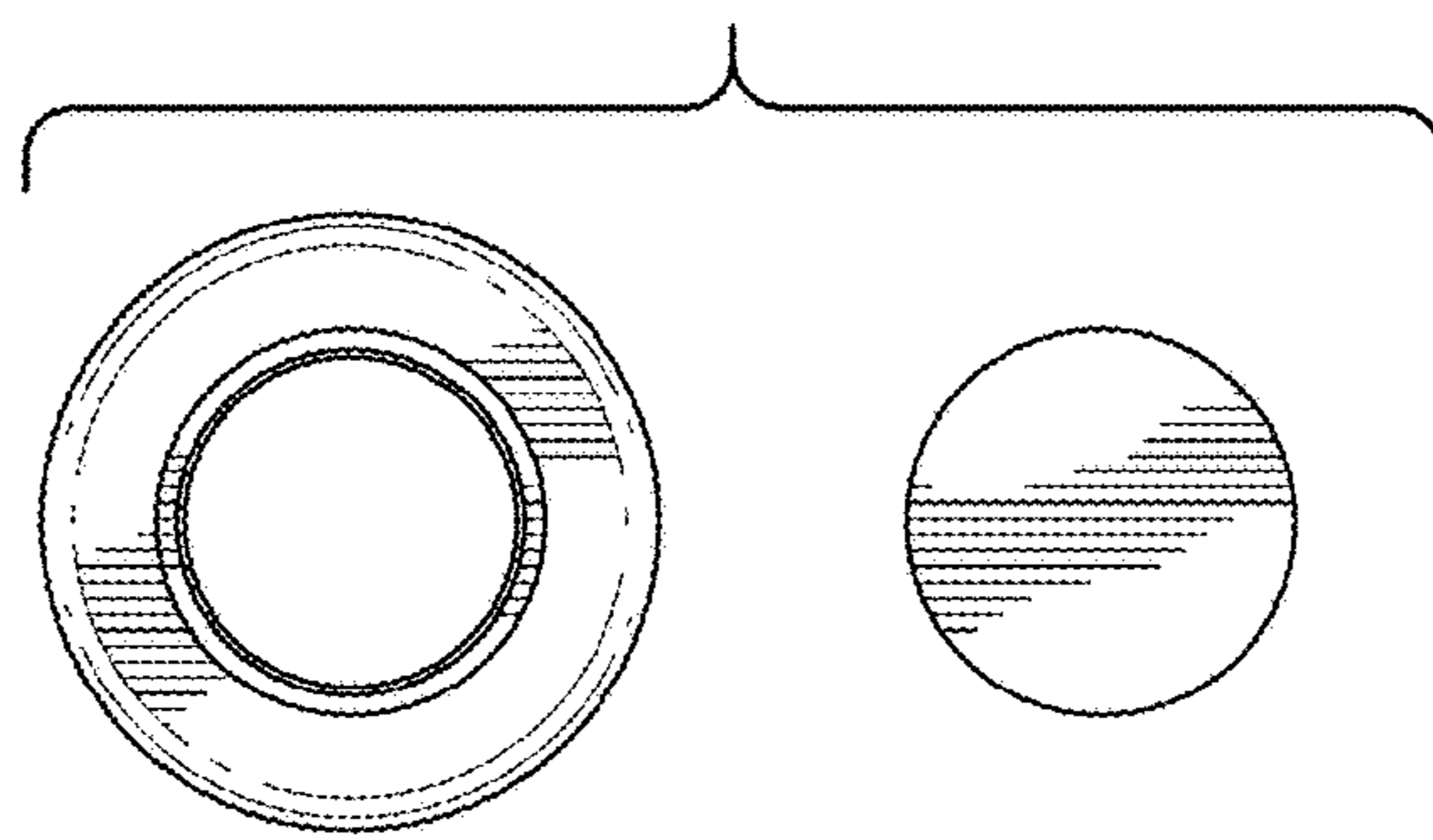


FIG. 5

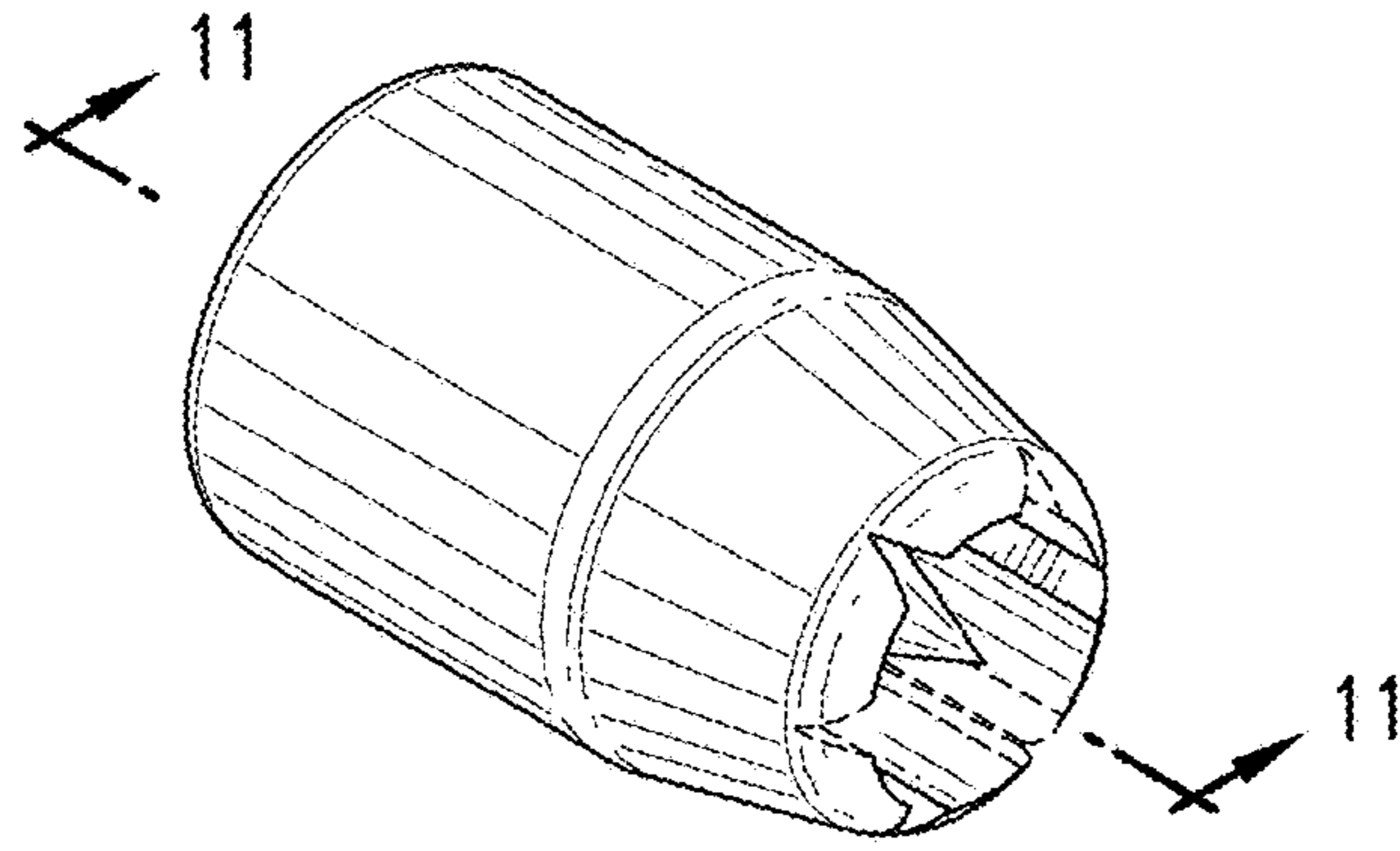


FIG. 6

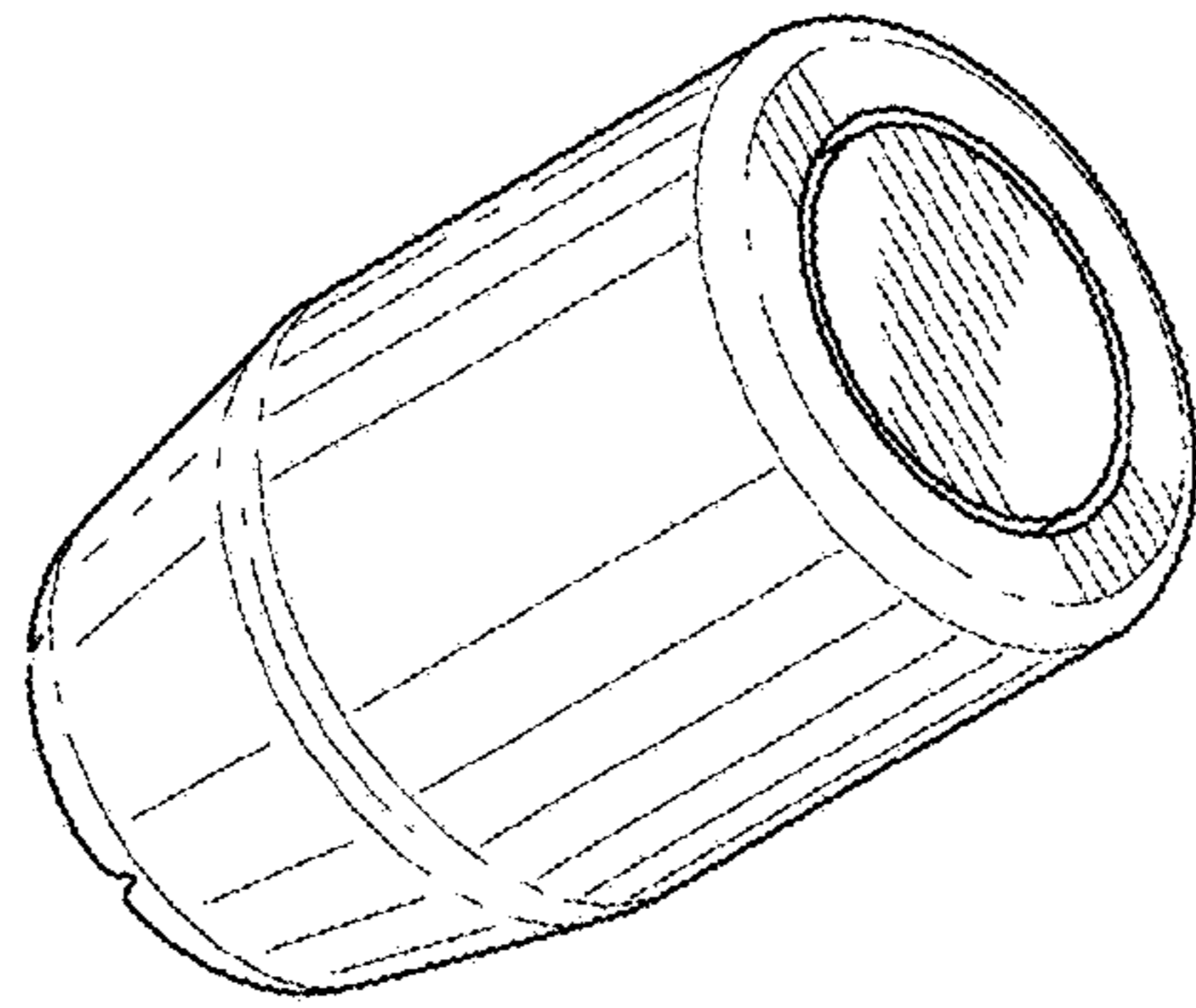


FIG. 7

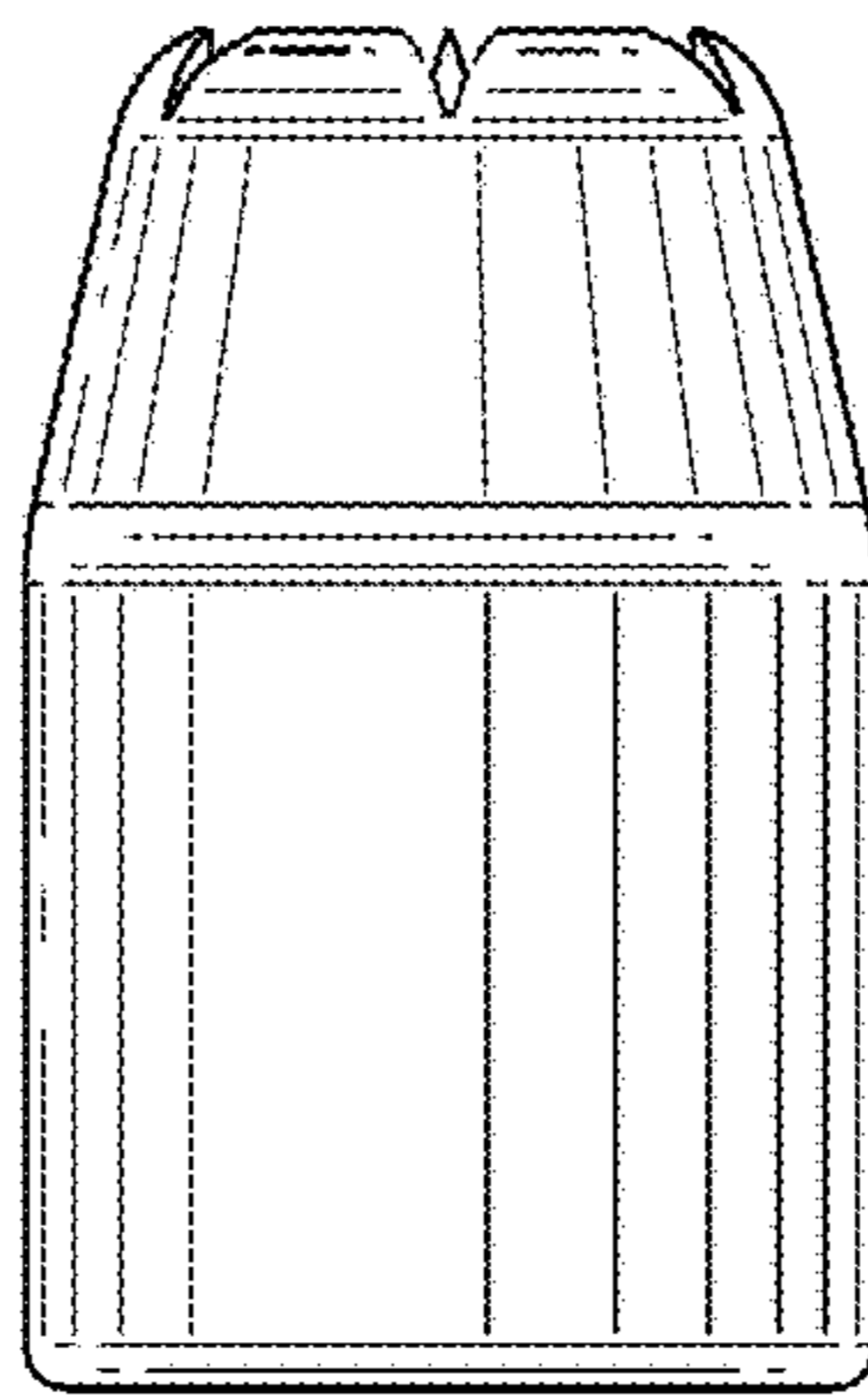


FIG. 8

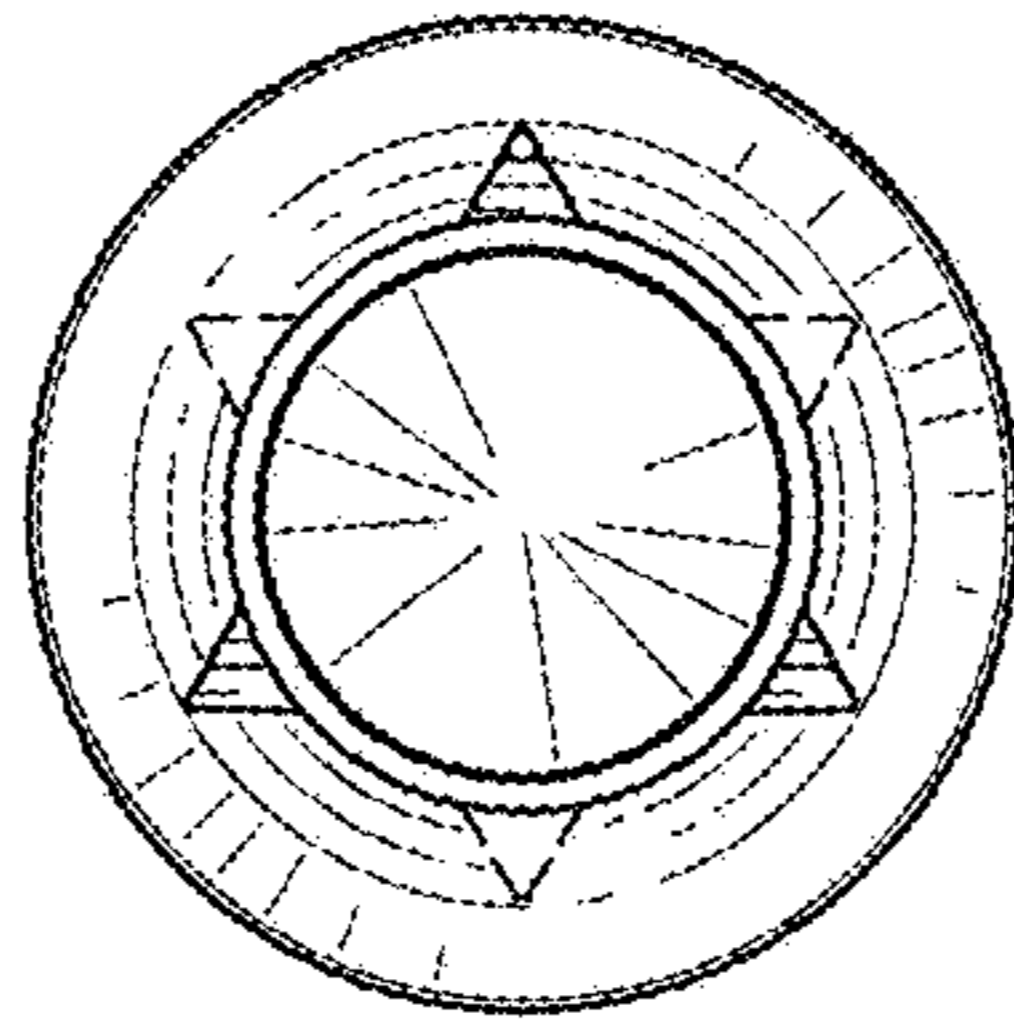


FIG. 9

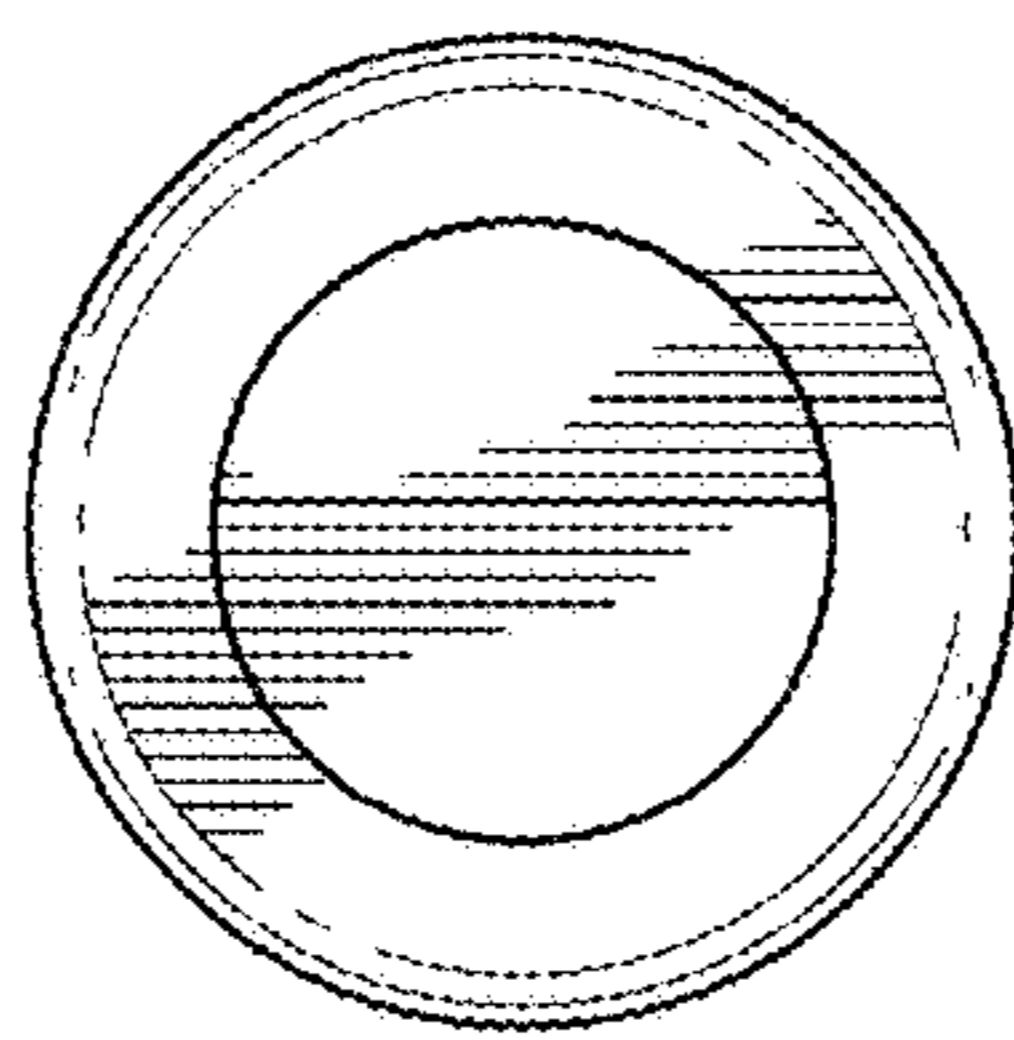


FIG. 10

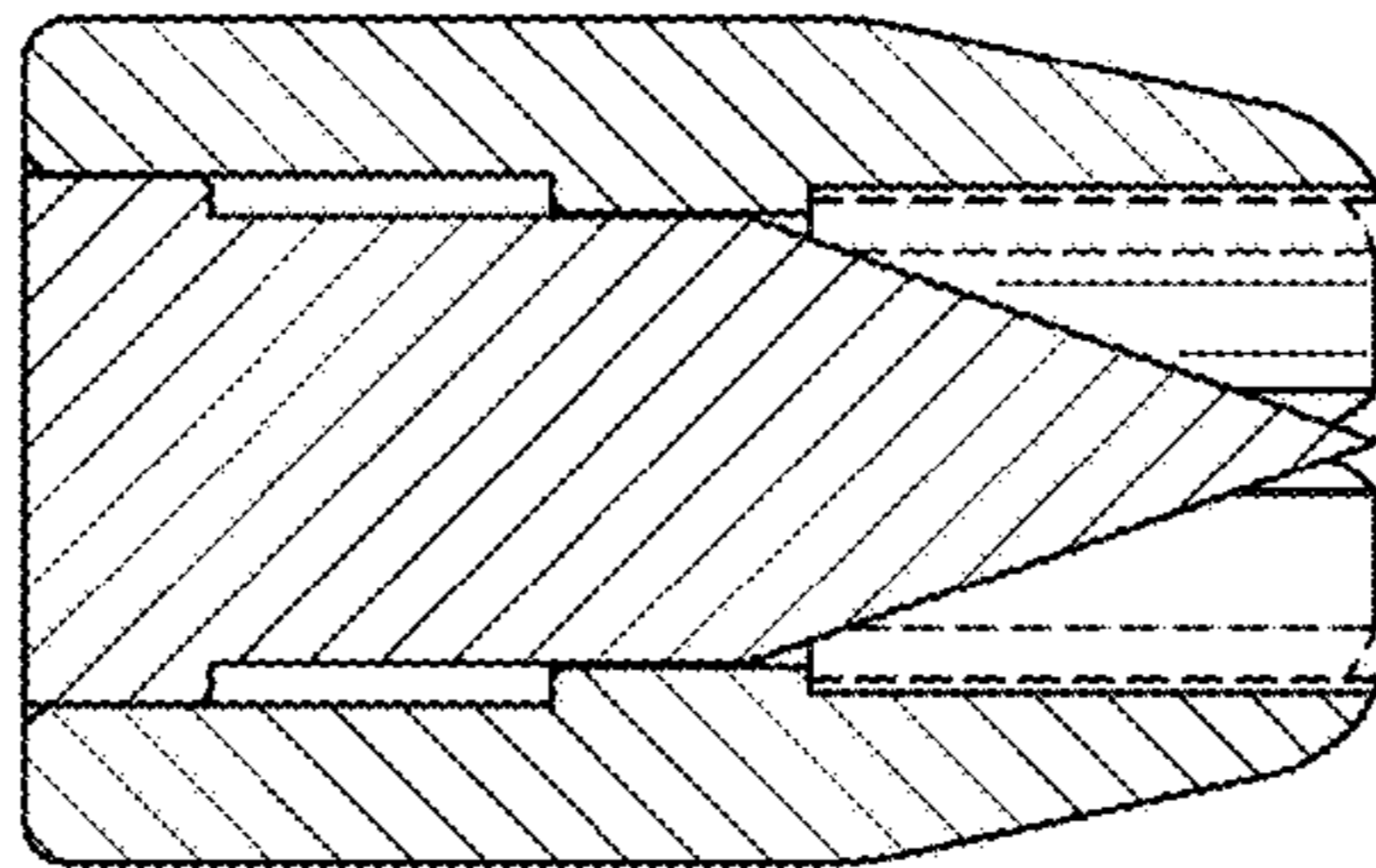


FIG. 11

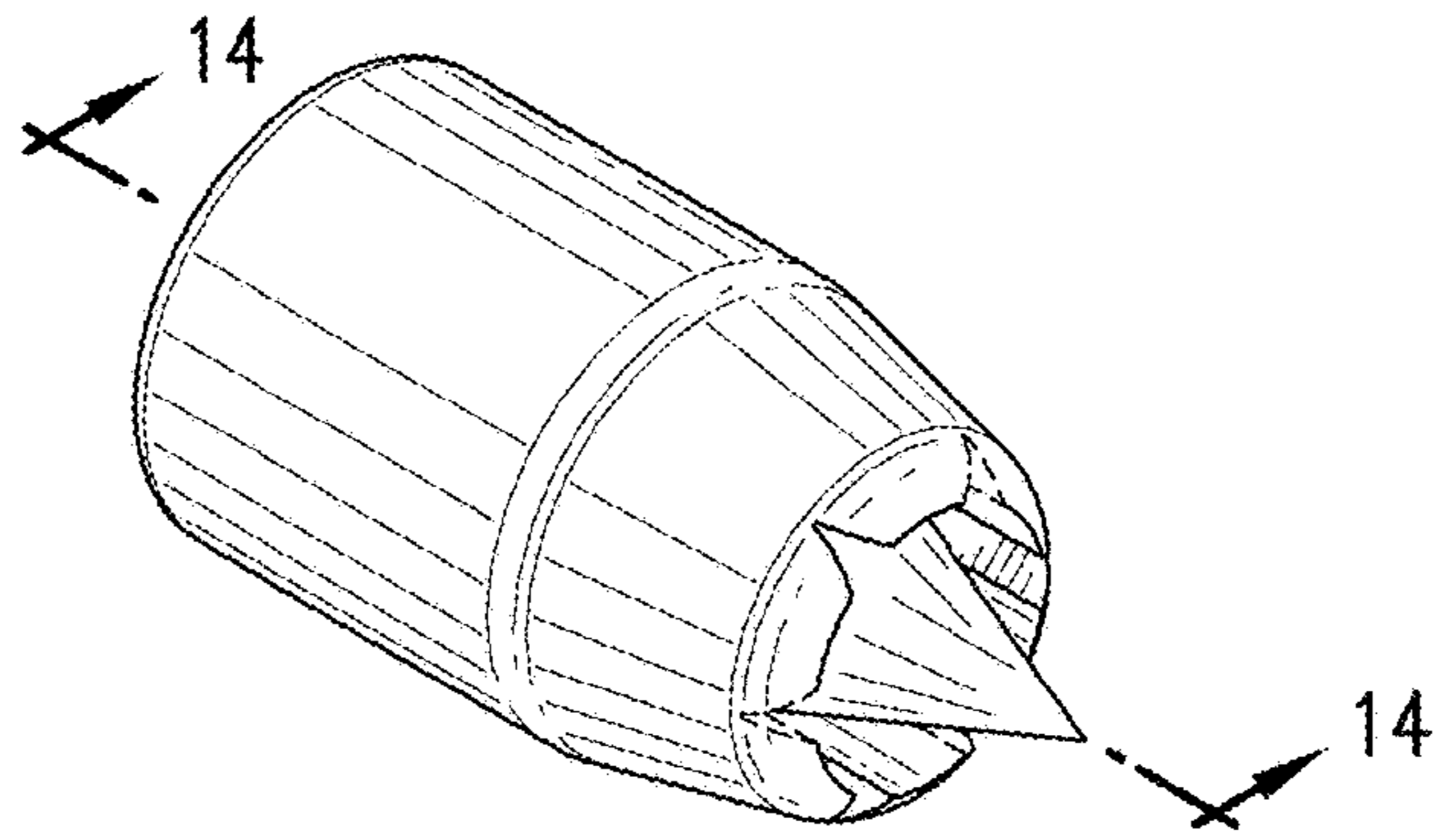


FIG. 12

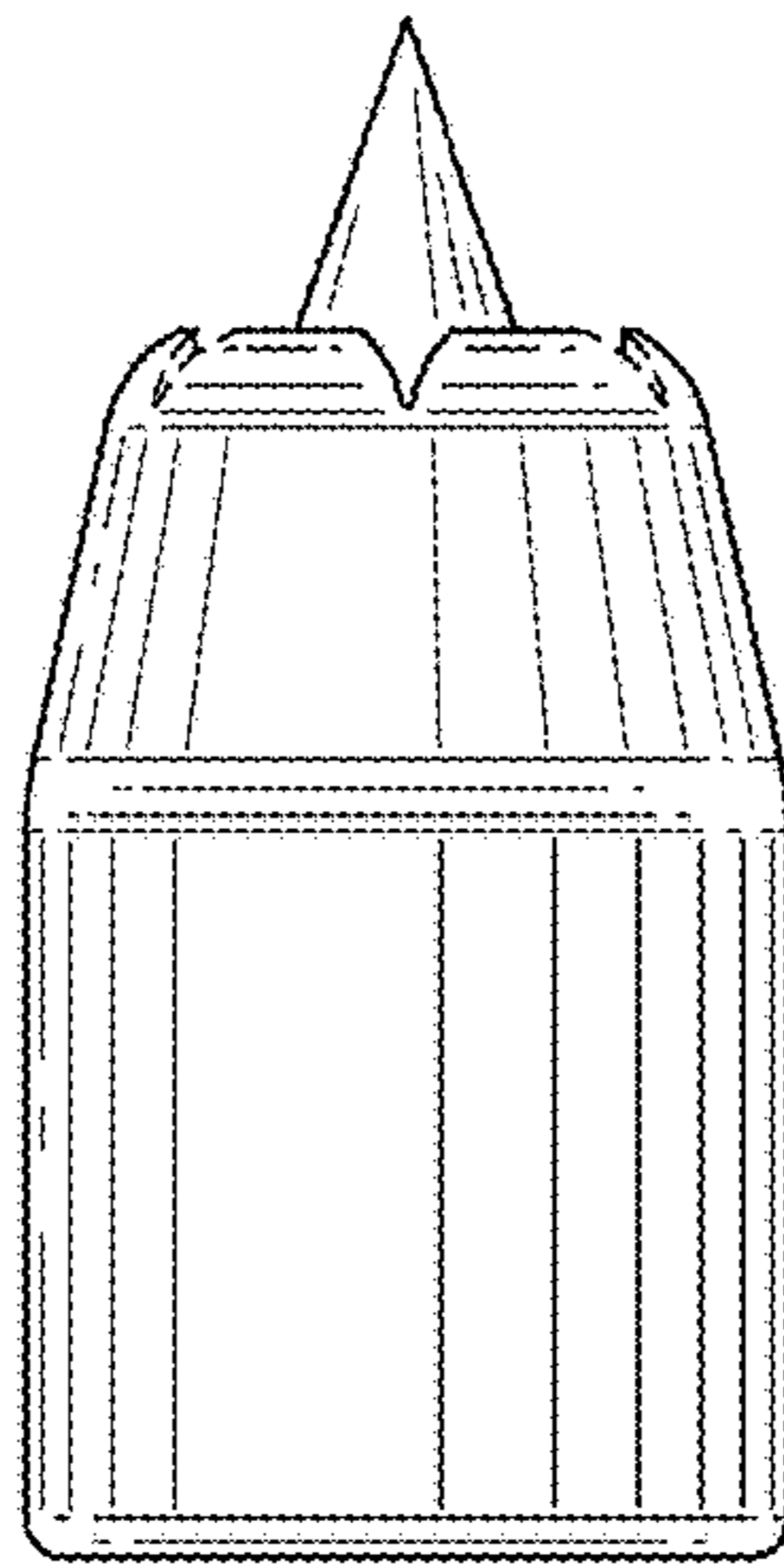


FIG. 13

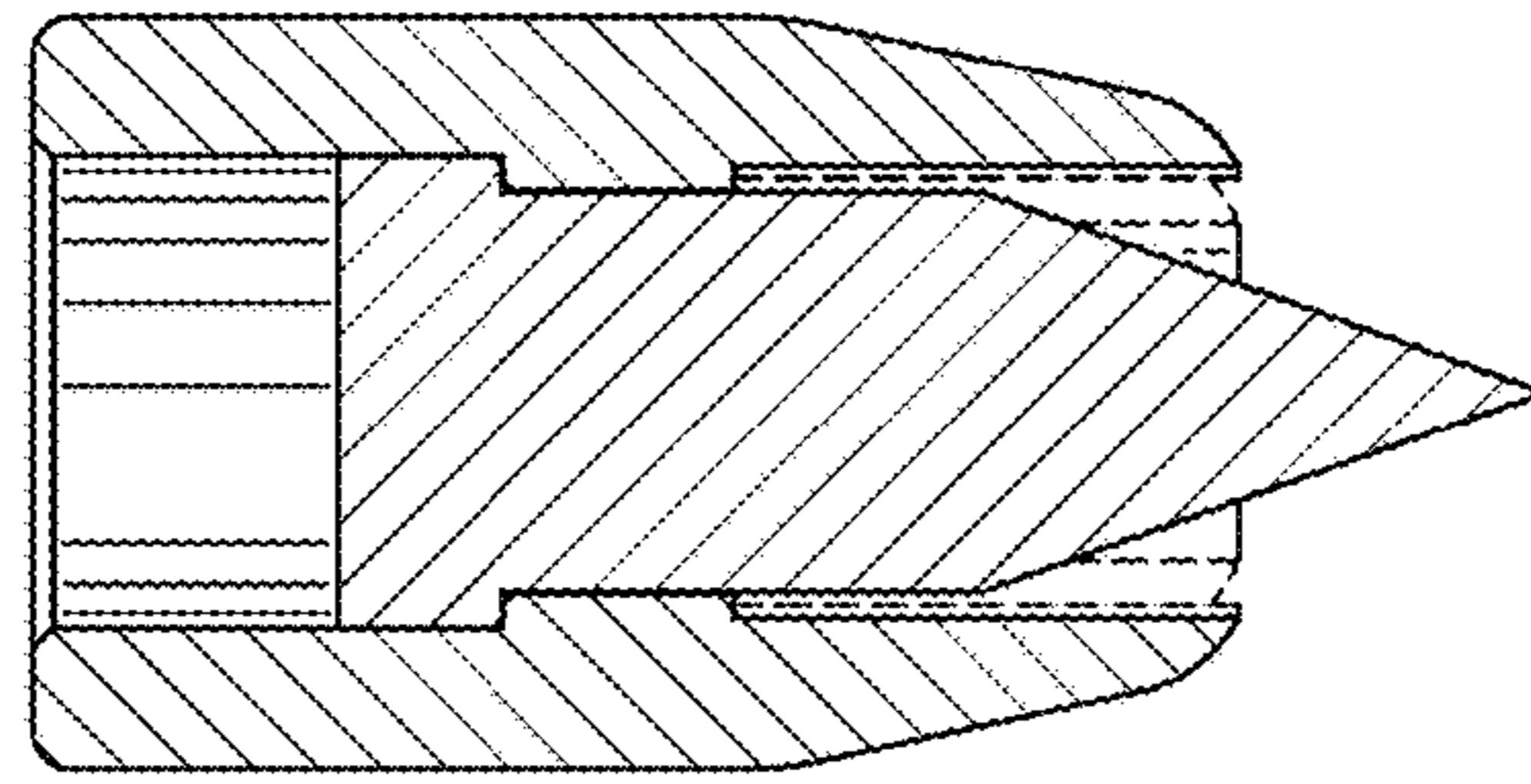


FIG. 14