



US00D858681S

(12) **United States Design Patent** (10) **Patent No.:** **US D858,681 S**  
**Anderson** (45) **Date of Patent:** **\*\* Sep. 3, 2019**

(54) **LASER DEVICE**  
(71) Applicant: **Crimson Trace Corporation,**  
Wilsonville, OR (US)  
(72) Inventor: **Danny Homem de Mello Anderson,**  
Wilsonville, OR (US)  
(73) Assignee: **Crimson Trace Corporation,**  
Wilsonville, OR (US)

D696,376 S \* 12/2013 Anderson ..... D22/109  
D738,456 S \* 9/2015 Hughes ..... D22/109  
D738,457 S \* 9/2015 Johnston ..... D22/109  
D812,179 S \* 3/2018 Anderson ..... D22/109  
D812,180 S \* 3/2018 Anderson ..... D22/109  
D812,182 S \* 3/2018 Ramasubramanian ..... D22/109  
D812,707 S \* 3/2018 Planck ..... D22/109

\* cited by examiner

(\*\*) Term: **15 Years**

*Primary Examiner* — Antoine Duval Davis  
(74) *Attorney, Agent, or Firm* — Schwabe Williamson & Wyatt, P.C.

(21) Appl. No.: **29/624,303**

(57) **CLAIM**

(22) Filed: **Oct. 31, 2017**

I claim an ornamental design for a laser device, as shown and described.

(51) **LOC (12) Cl.** ..... **22-01**

(52) **U.S. Cl.**  
USPC ..... **D22/109**

**DESCRIPTION**

(58) **Field of Classification Search**  
USPC ..... D22/108, 109  
CPC . F41G 1/35; F41G 11/003; F41G 1/00; F41G 1/36; F41G 1/34; F41G 3/26  
See application file for complete search history.

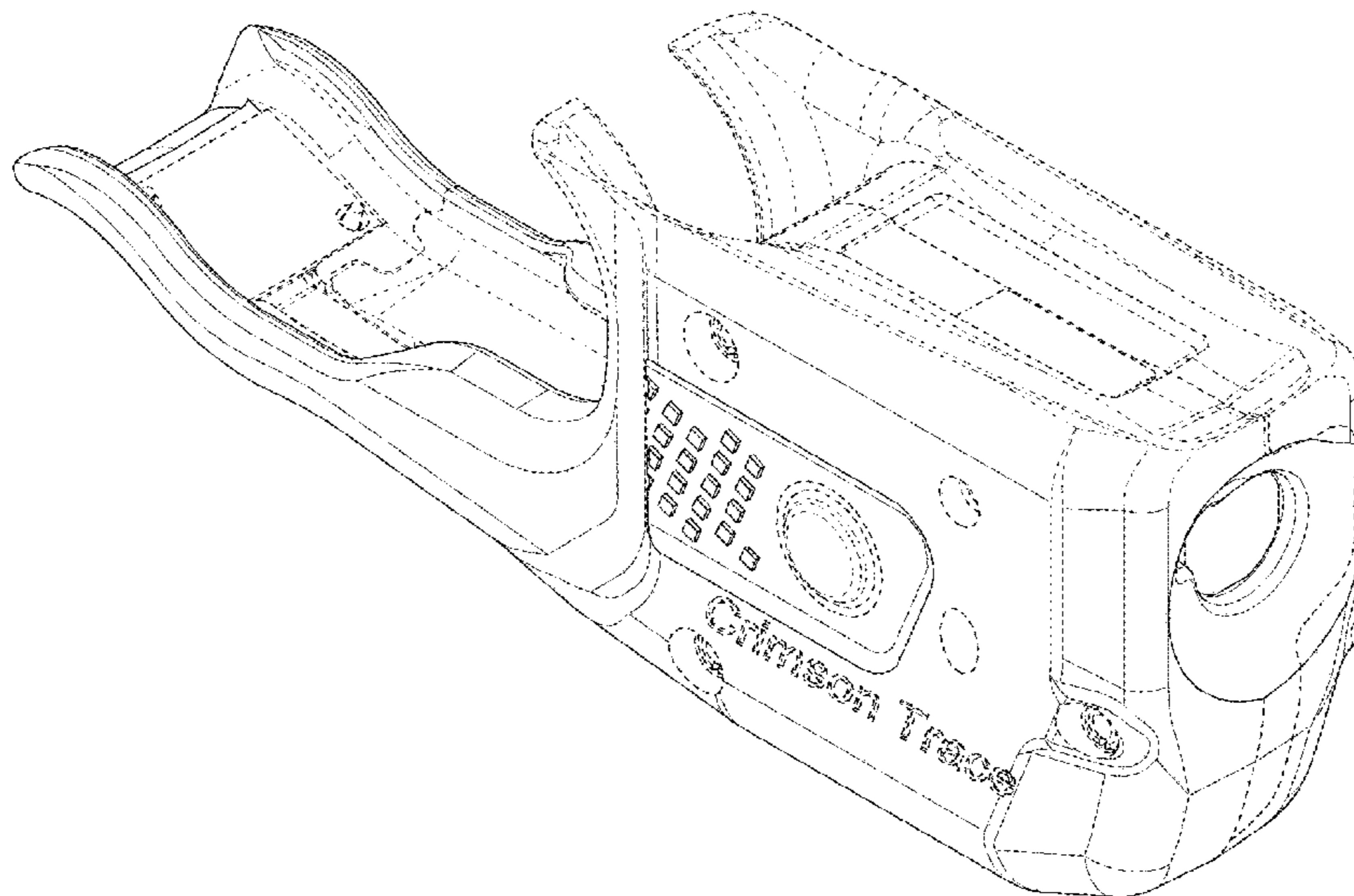
FIG. 1 is a perspective view of a laser device, showing our new design;  
FIG. 2 is a front view thereof;  
FIG. 3 is a rear view thereof;  
FIG. 4 is a right side view thereof;  
FIG. 5 is a left side view thereof;  
FIG. 6 is a top view thereof;  
FIG. 7 is a bottom view thereof; and,  
FIG. 8 is a perspective view of an alternate embodiment of the laser device.  
The dashed lines are included for illustrating interior and/or environmental structures and form no part of the claimed design.

(56) **References Cited**

**U.S. PATENT DOCUMENTS**

D669,553 S \* 10/2012 Hughes ..... D22/109  
D669,958 S \* 10/2012 Essig ..... D22/108  
D674,862 S \* 1/2013 Johnston ..... D22/109  
D687,120 S \* 7/2013 Hughes ..... D22/109  
D692,518 S \* 10/2013 Anderson ..... D22/108  
D693,898 S \* 11/2013 Essig ..... D22/108  
D694,847 S \* 12/2013 Anderson ..... D22/108  
D694,848 S \* 12/2013 Anderson ..... D22/109

**1 Claim, 7 Drawing Sheets**



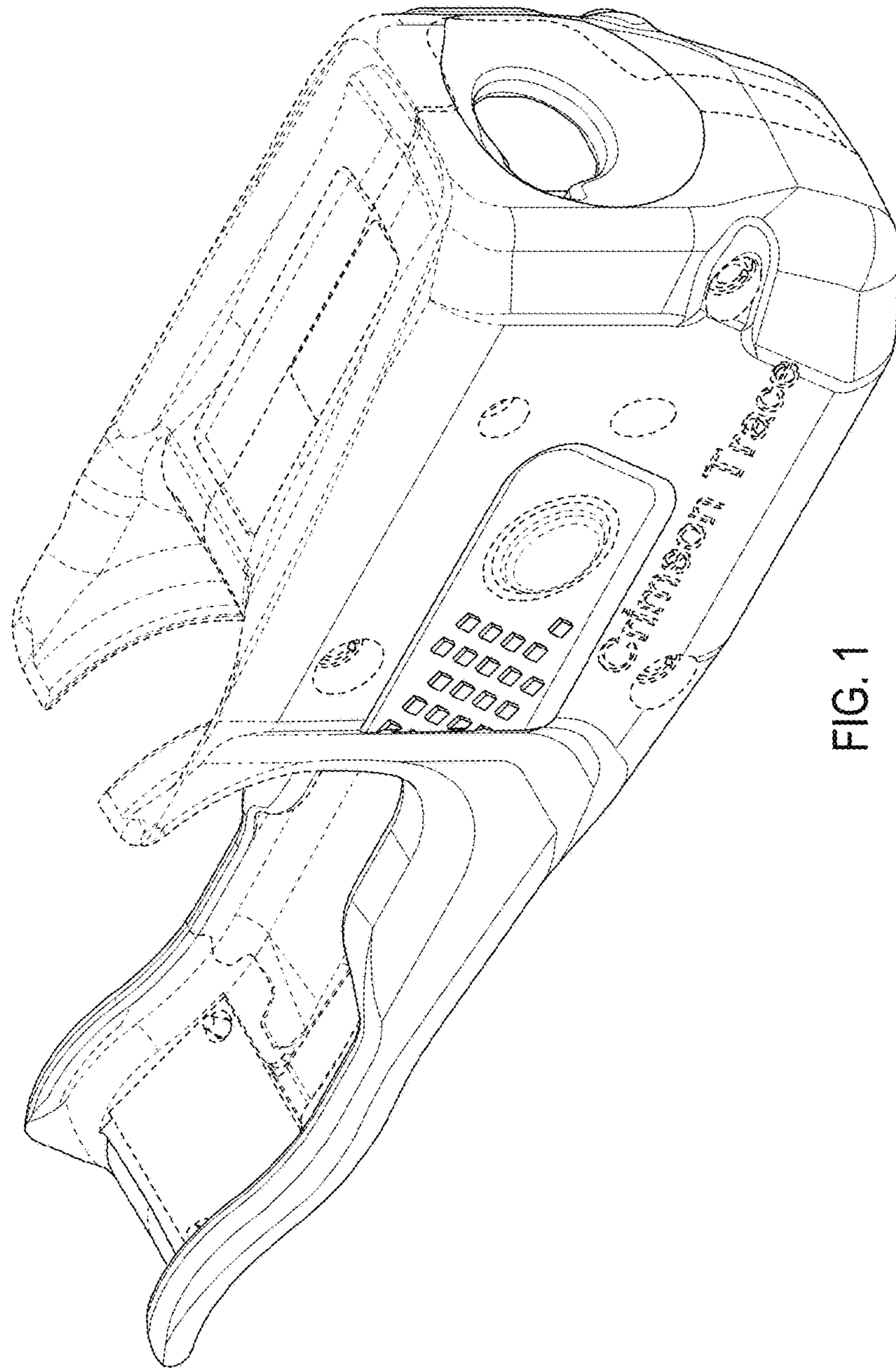


FIG. 1

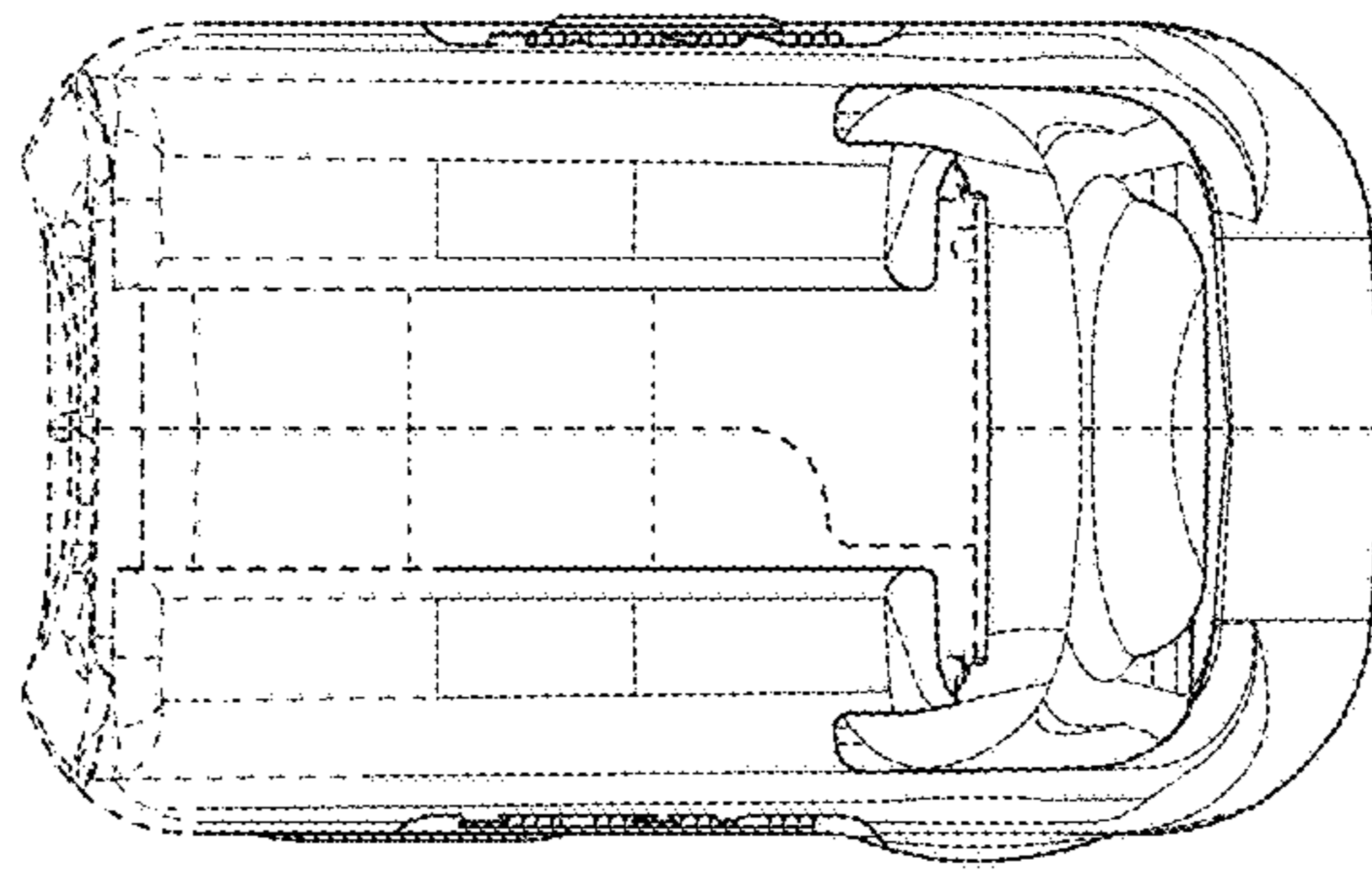


FIG. 3

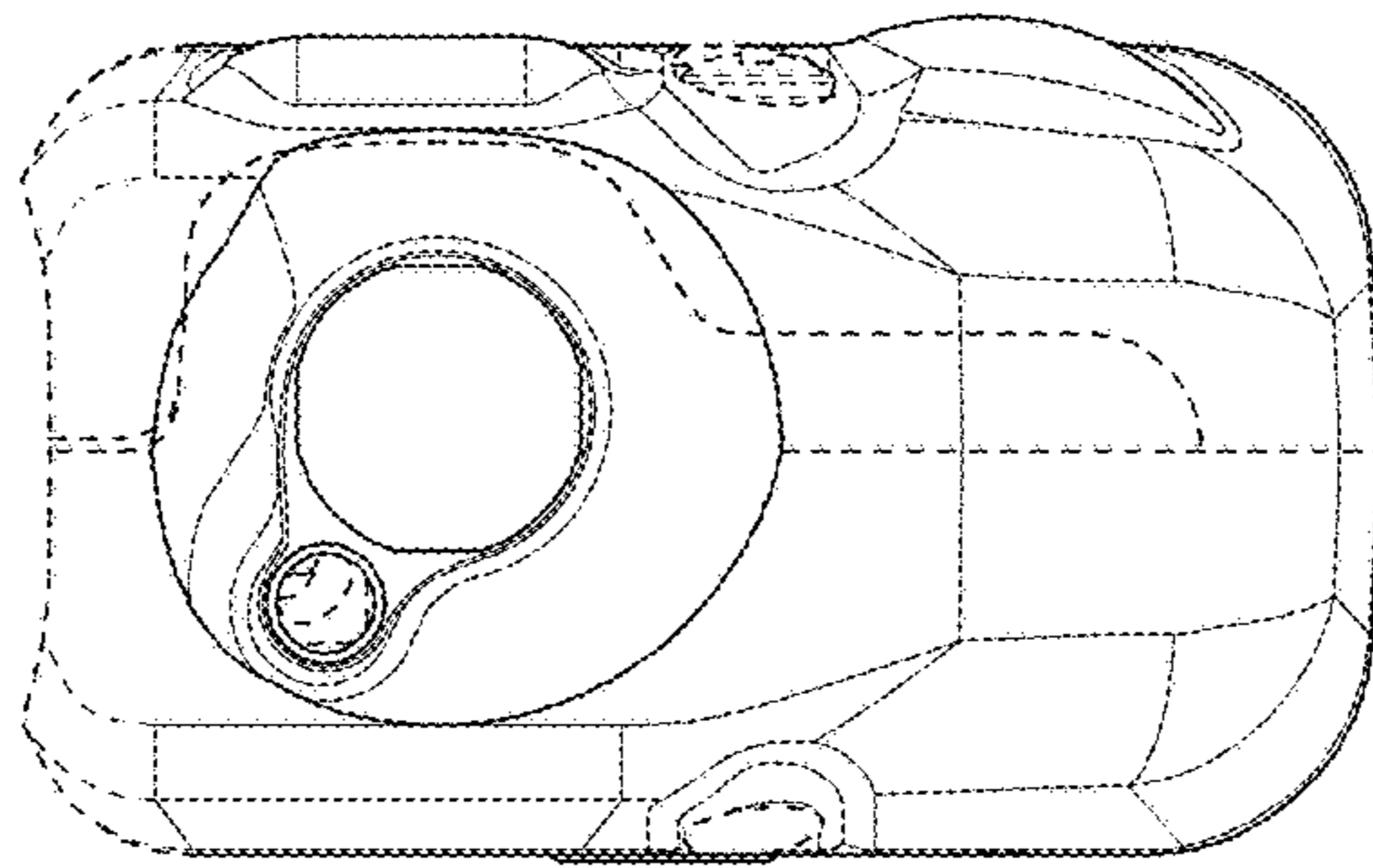


FIG. 2

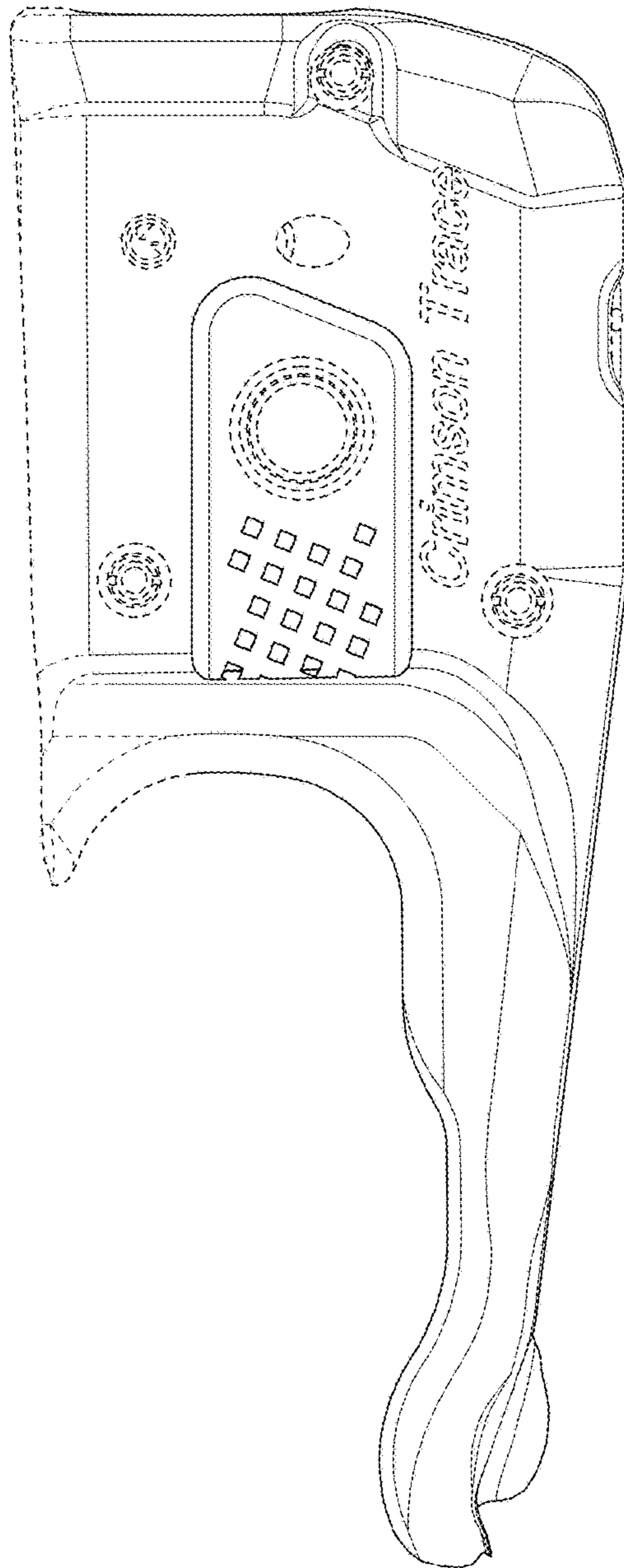


FIG. 4

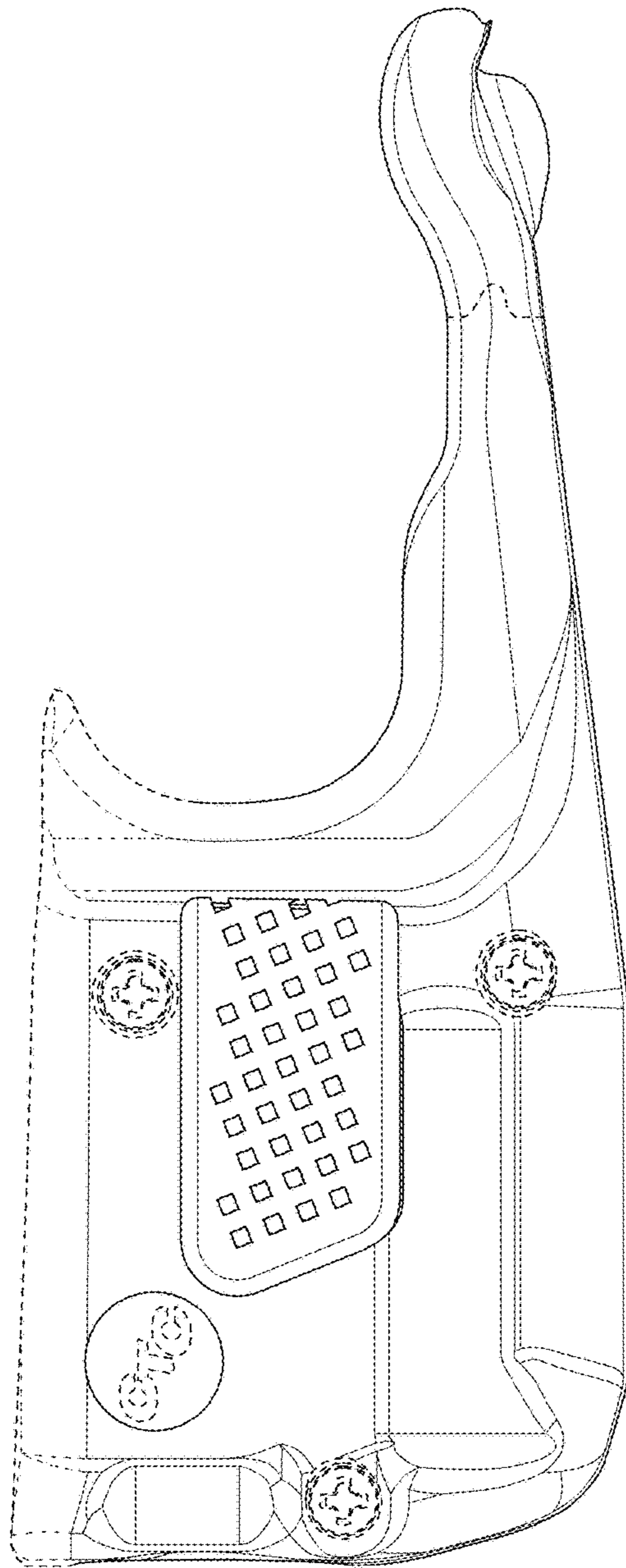


FIG. 5

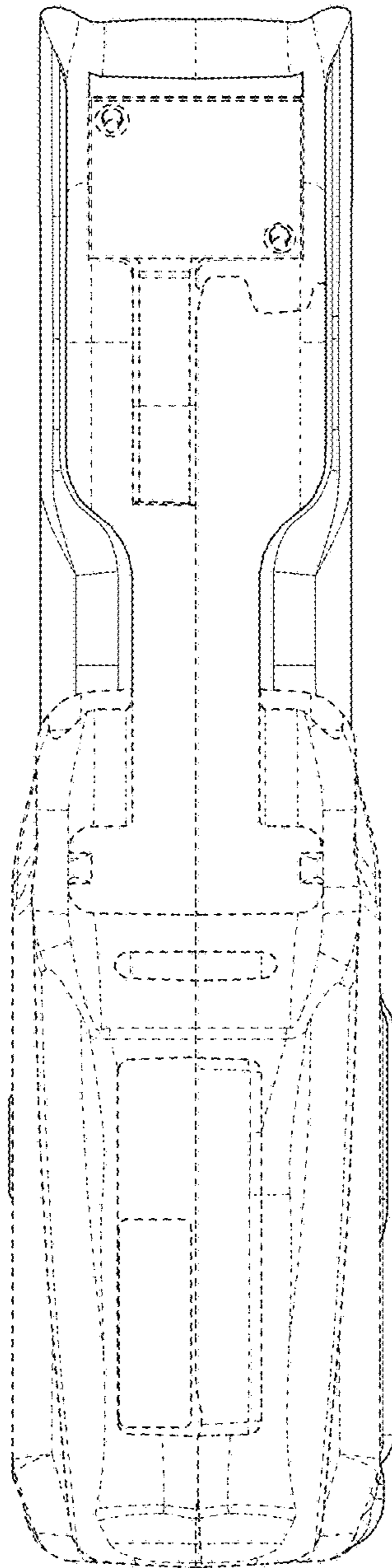


FIG. 6

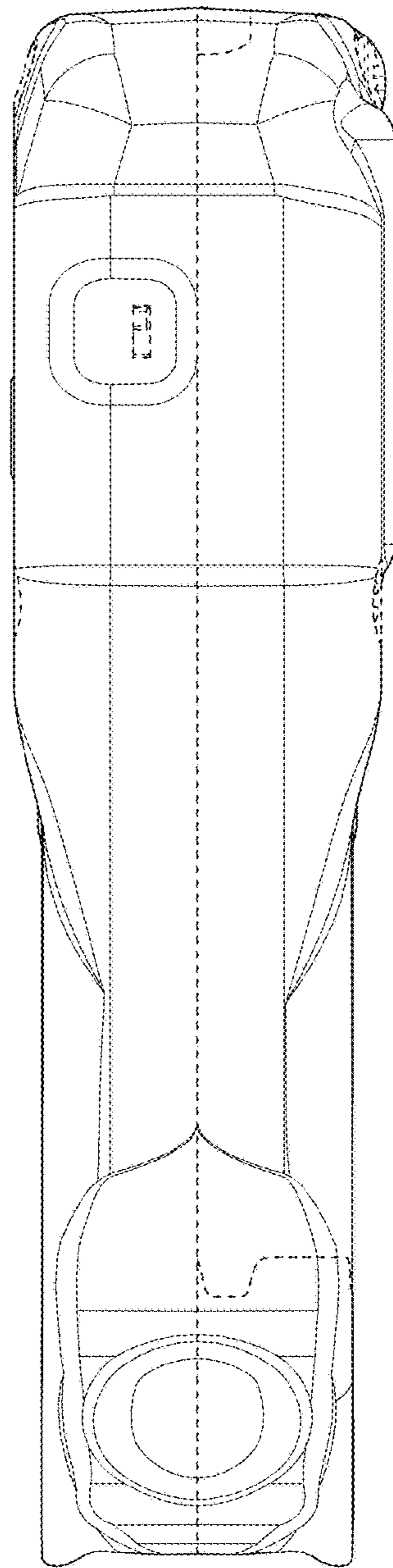


FIG. 7

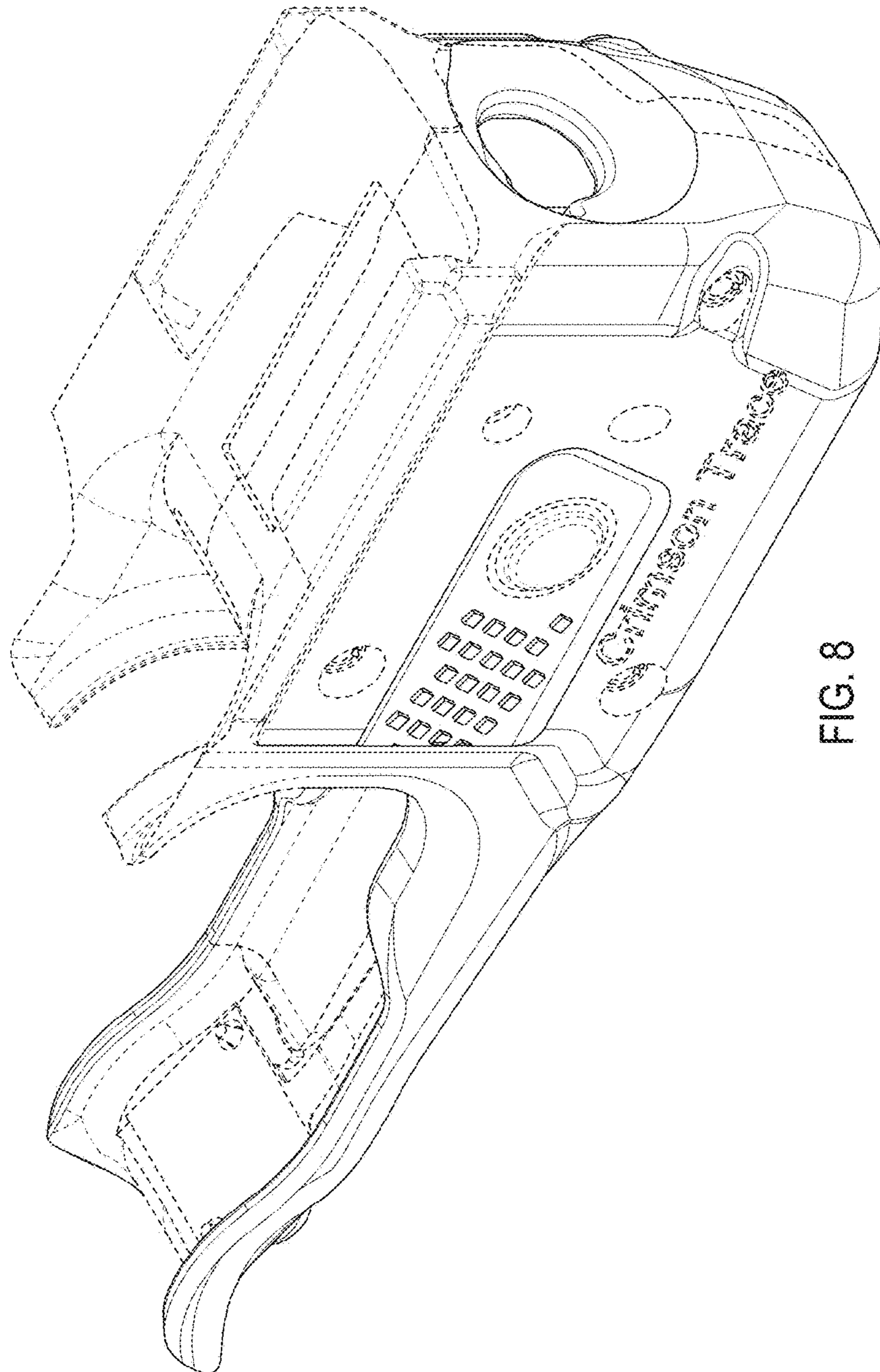


FIG. 8