



US00D858680S

(12) **United States Design Patent**  
**Thomele et al.**

(10) **Patent No.:** **US D858,680 S**  
(45) **Date of Patent:** **\*\* Sep. 3, 2019**

(54) **PISTOL MAGAZINE**

(71) Applicant: **Sig Sauer, Inc.**, Newington, NH (US)

(72) Inventors: **Adrian Thomele**, Stratham, NH (US);  
**Matthew A. Taylor**, Barrington, NH (US)

(73) Assignee: **Sig Sauer, Inc.**, Newington, NH (US)

(\*\*) Term: **15 Years**

(21) Appl. No.: **29/632,273**

(22) Filed: **Jan. 5, 2018**

(51) **LOC (12) Cl.** ..... **22-01**

(52) **U.S. Cl.**  
USPC ..... **D22/108**

(58) **Field of Classification Search**  
USPC ..... D22/100, 104, 108, 109, 199;  
D21/572-575; D14/418; 124/16, 25.7,  
(Continued)

(56) **References Cited**

**U.S. PATENT DOCUMENTS**

1,245,499 A \* 11/1917 Orme ..... F41A 9/67  
124/52  
1,833,862 A \* 11/1931 Schmeisser ..... F41A 9/69  
42/50

(Continued)

**FOREIGN PATENT DOCUMENTS**

CN 2938003 \* 8/2007 ..... F41A 9/61  
EP 2336705 \* 6/2011 ..... F41A 17/38

**OTHER PUBLICATIONS**

P228, P229 10rd 9mm Magazine, SigSauer.com, [online], [site visited Mar. 26, 2019]. <URL: <https://www.sigsauer.com/store/p228-p229-10rd-9mm-magazine.html>> (Year: 2019).\*

(Continued)

*Primary Examiner* — T Chase Nelson

*Assistant Examiner* — Jonathan J. Han

(74) *Attorney, Agent, or Firm* — Finch & Maloney PLLC

(57) **CLAIM**

The ornamental design for a pistol magazine, as shown and described.

**DESCRIPTION**

FIG. 1 is a right-side, front, and top perspective view of a pistol magazine showing our new design with an unclaimed base plate including a grip extension;

FIG. 2 is left-side, front, and top perspective view thereof;

FIG. 3 is a right-side and rear perspective view thereof;

FIG. 4 is a left-side and rear perspective view thereof;

FIG. 5 is a right-side elevational view thereof;

FIG. 6 is a left-side elevational view thereof;

FIG. 7 is a front elevational view thereof;

FIG. 8 is a rear elevational view thereof;

FIG. 9 is a top plan view thereof; and

FIG. 10 is a bottom plan view thereof.

FIG. 11 is a right-side, front, and top perspective view of a

pistol magazine shown with an unclaimed flush base plate;

FIG. 12 is left-side, front, and top perspective view thereof;

FIG. 13 is a right-side and rear perspective view thereof;

FIG. 14 is a left-side and rear perspective view thereof;

FIG. 15 is a right-side elevational view thereof;

FIG. 16 is a left-side elevational view thereof;

FIG. 17 is a front elevational view thereof;

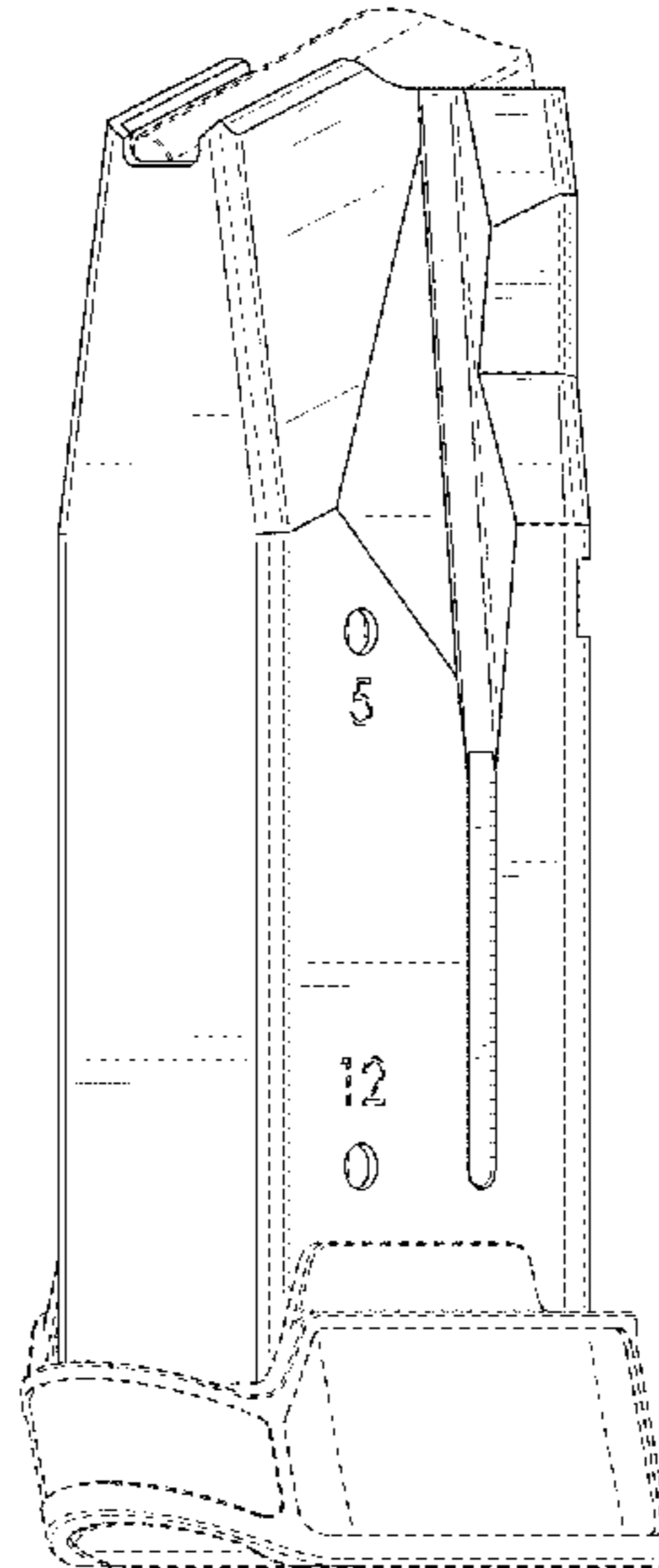
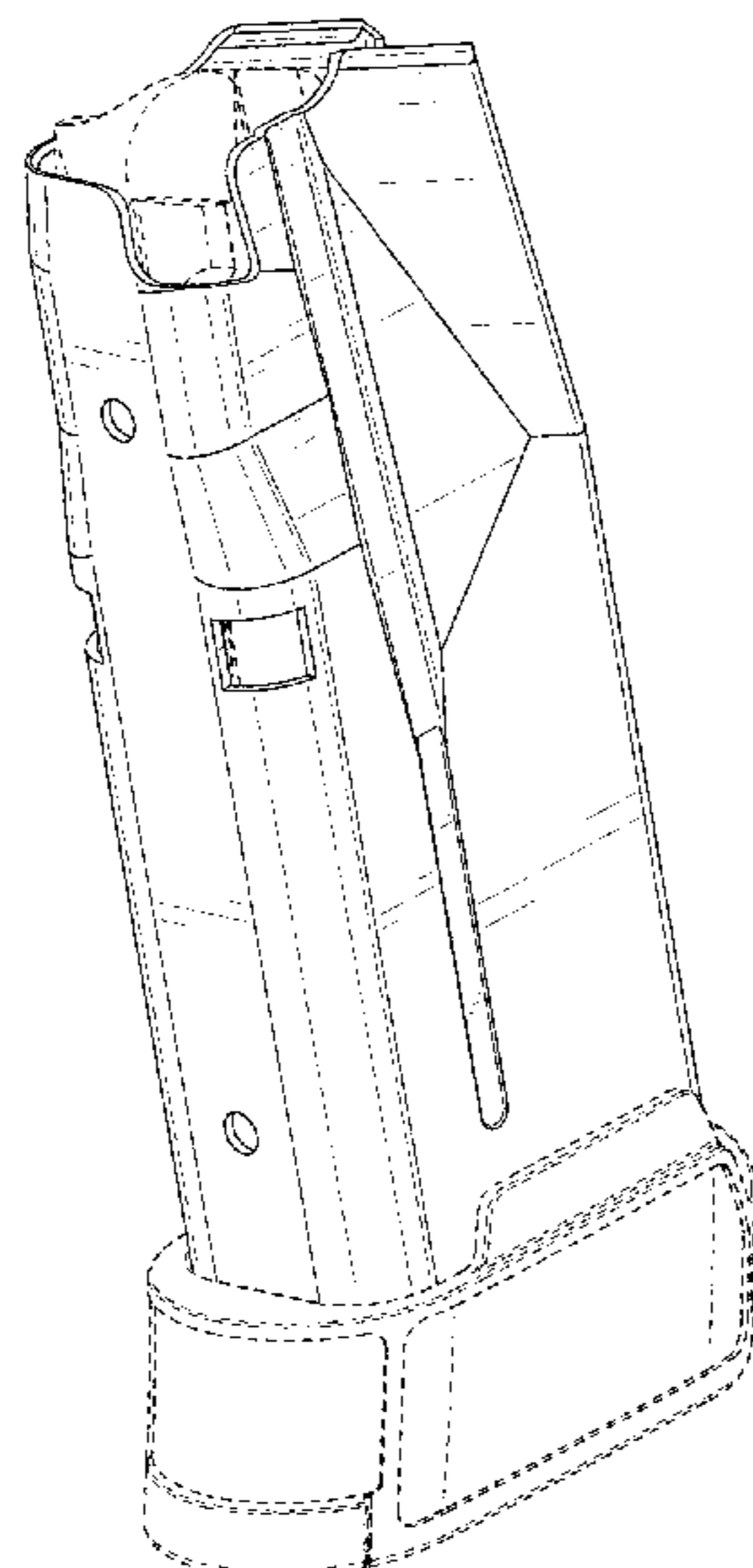
FIG. 18 is a rear elevational view thereof;

FIG. 19 is a top plan view thereof; and,

FIG. 20 is a bottom plan view thereof.

Broken lines in the drawings are for the purpose of illustrating environmental structure and form no part of the claimed design.

**1 Claim, 20 Drawing Sheets**



(58) **Field of Classification Search**

USPC ..... 124/27, 45, 82, 23.1, 35.2, 37, 79;  
446/401, 403, 400, 473, 445, 182, 405,  
446/407; 248/200; D8/354, 373, 380,  
D8/499  
CPC ..... F41C 3/14; F41C 3/16; F41C 3/04; F16M  
11/00

See application file for complete search history.

(56) **References Cited**

U.S. PATENT DOCUMENTS

2,396,816 A \* 3/1946 Boudreau ..... F41A 9/71  
42/49.02  
D241,837 S \* 10/1976 Sofinowski, III ..... D22/108  
4,502,237 A \* 3/1985 Krogh ..... F41A 9/70  
42/50  
4,589,218 A \* 5/1986 Teppa ..... F41A 9/69  
42/50  
D309,768 S \* 8/1990 Blackshaw ..... D22/108  
5,099,595 A \* 3/1992 Chesnut ..... F41A 9/69  
42/50  
5,309,660 A \* 5/1994 Blackamore ..... F42B 33/14  
42/106  
5,357,703 A \* 10/1994 Chesnut ..... F41A 17/38  
42/50  
D362,044 S \* 9/1995 Sniezak ..... D22/100  
5,461,811 A \* 10/1995 Ciener ..... F41A 9/65  
42/49.02  
5,666,752 A \* 9/1997 Grams ..... F41A 9/71  
42/49.02  
6,401,379 B1 6/2002 Moon  
6,568,115 B2 \* 5/2003 Beretta ..... F41A 9/65  
42/50  
D598,065 S 8/2009 Vukovic et al.  
D642,234 S \* 7/2011 Marfione ..... D22/104  
D654,978 S 2/2012 Karanian et al.  
D681,131 S 4/2013 Su  
8,448,364 B2 5/2013 Davidson  
D690,374 S 9/2013 Lee  
D692,513 S 10/2013 Yigit  
8,561,334 B2 \* 10/2013 Metzger ..... F41A 17/38  
42/49.01  
8,713,835 B1 \* 5/2014 Calvert ..... F41A 9/71  
42/49.01  
8,752,318 B2 \* 6/2014 Pulit, Jr. .... F41A 15/00  
42/50  
9,021,730 B2 5/2015 Gentilini et al.  
D744,049 S 11/2015 Chu  
D748,219 S \* 1/2016 Kielsmeier ..... D22/108  
D754,802 S 4/2016 Martelli et al.  
9,303,936 B2 4/2016 Toner  
D755,324 S 5/2016 Martelli et al.  
D755,907 S 5/2016 Hu

D757,884 S \* 5/2016 Kielsmeier ..... D22/108  
D758,519 S 6/2016 Toner et al.  
9,441,897 B2 9/2016 Mather et al.  
9,546,831 B2 1/2017 Bandini et al.  
9,551,550 B2 1/2017 Wells  
D783,111 S \* 4/2017 Hillis ..... D22/108  
9,664,471 B1 5/2017 Curry et al.  
D791,262 S 7/2017 Brown et al.  
D803,341 S 11/2017 Wolfe  
D808,487 S 1/2018 Beville et al.  
D810,223 S \* 2/2018 Kielsmeier ..... D22/108  
D812,176 S \* 3/2018 Kielsmeier ..... D22/108  
D814,593 S 4/2018 O'Clair et al.  
D814,596 S 4/2018 Curry  
D815,233 S 4/2018 Toner et al.  
D823,969 S 7/2018 Beville et al.  
D828,881 S 9/2018 Lee  
D828,892 S 9/2018 Kellgren  
D830,480 S 10/2018 Chu  
10,088,269 B2 10/2018 Sheets, Jr. et al.  
D834,130 S \* 11/2018 Schefter ..... D22/108  
D834,656 S 11/2018 Chu  
D838,333 S \* 1/2019 Kielsmeier ..... D22/108  
10,180,298 B2 \* 1/2019 Noonan ..... F41A 17/36  
2001/0037596 A1 11/2001 Salvitti  
2008/0028661 A1 \* 2/2008 Bubits ..... F41A 9/71  
42/49.01  
2013/0227870 A1 \* 9/2013 Rendulic ..... F41A 9/65  
42/50  
2015/0192377 A1 \* 7/2015 Larson, Jr. .... F41A 9/70  
42/50  
2017/0146309 A1 \* 5/2017 Biran ..... F41A 17/38  
2017/0184359 A1 \* 6/2017 Porat ..... F41A 9/65

OTHER PUBLICATIONS

P229 10rd .40 Auto, .357Sig Magazine, SigSauer.com, [online], [site visited Mar. 26, 2019]. <URL: <https://www.sigsauer.com/store/p229-10rd-40-auto-357sig-magazine.html>> (Year: 2019).\*

Ruger American Pistol Magazine 10 Round 9mm Luger Mag (90514), GoOutdoorGear.com, [online], [site visited Mar. 26, 2019]. <URL: <https://www.gooutdoorgear.com/ruger-american-pistol-magazine-10-round-9mm-luger-mag-90514/736676905140/>> (Year: 2019).\*

Beretta APX Magazine 9mm 21 Rds Unpackaged, BerettaUSA.com, [online], [site visited Mar. 26, 2019]. <URL: <https://www.berettausa.com/en-us/apx-9mm-mag-21-rds-bulk/jmapx219bulk/>> (Year: 2019).\*

“Instruction Manual for Ruger American Pistol Pro Model”, Sturm, Ruger & Co., Inc. (2016).

“Instruction Manual for Ruger American Pistol, Standard Model”, Sturm, Ruger & Co., Inc. (2016).

Ruger American Pistol Pro Model Parts List, pp. 34-37 (2016).

\* cited by examiner

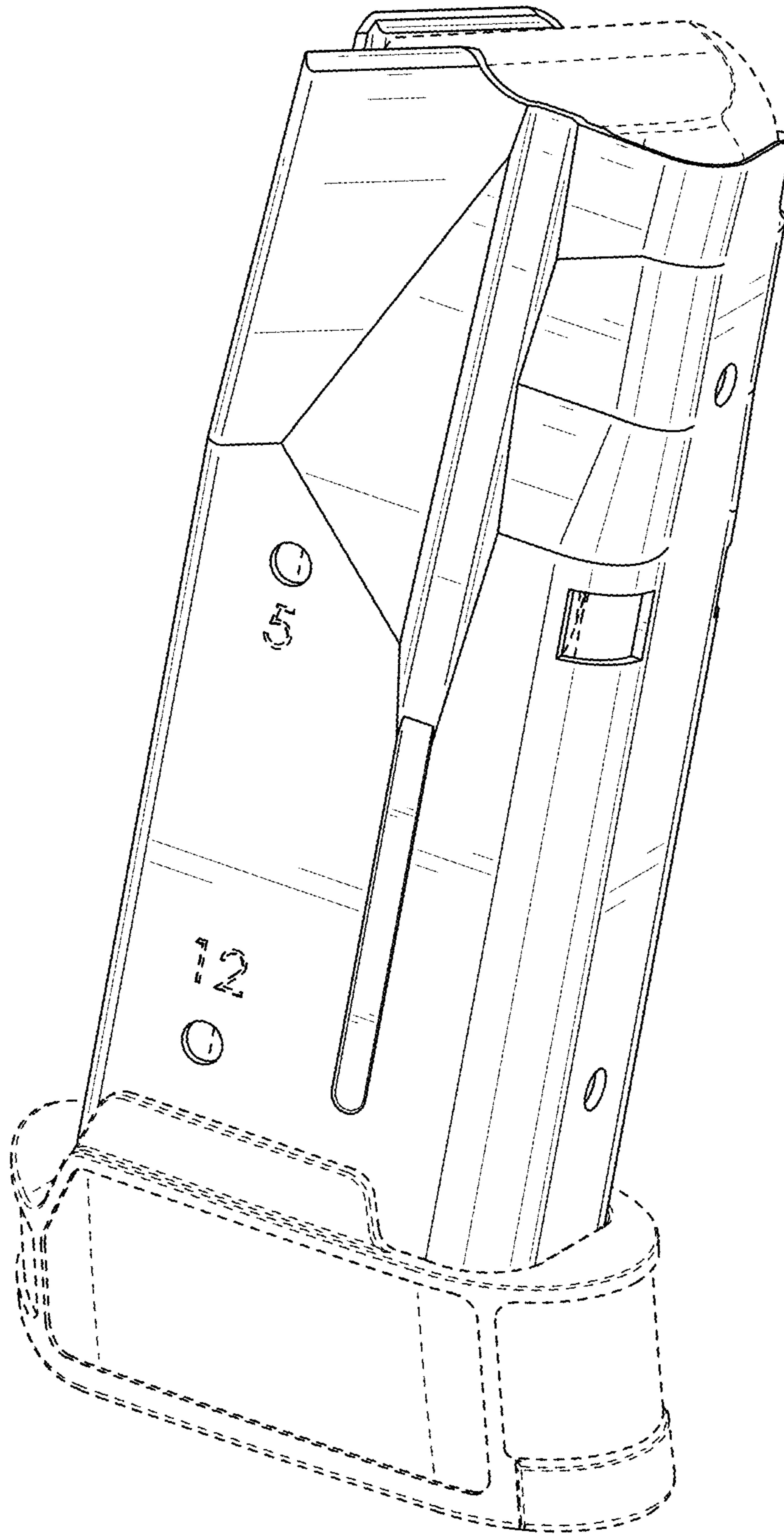


FIG. 1

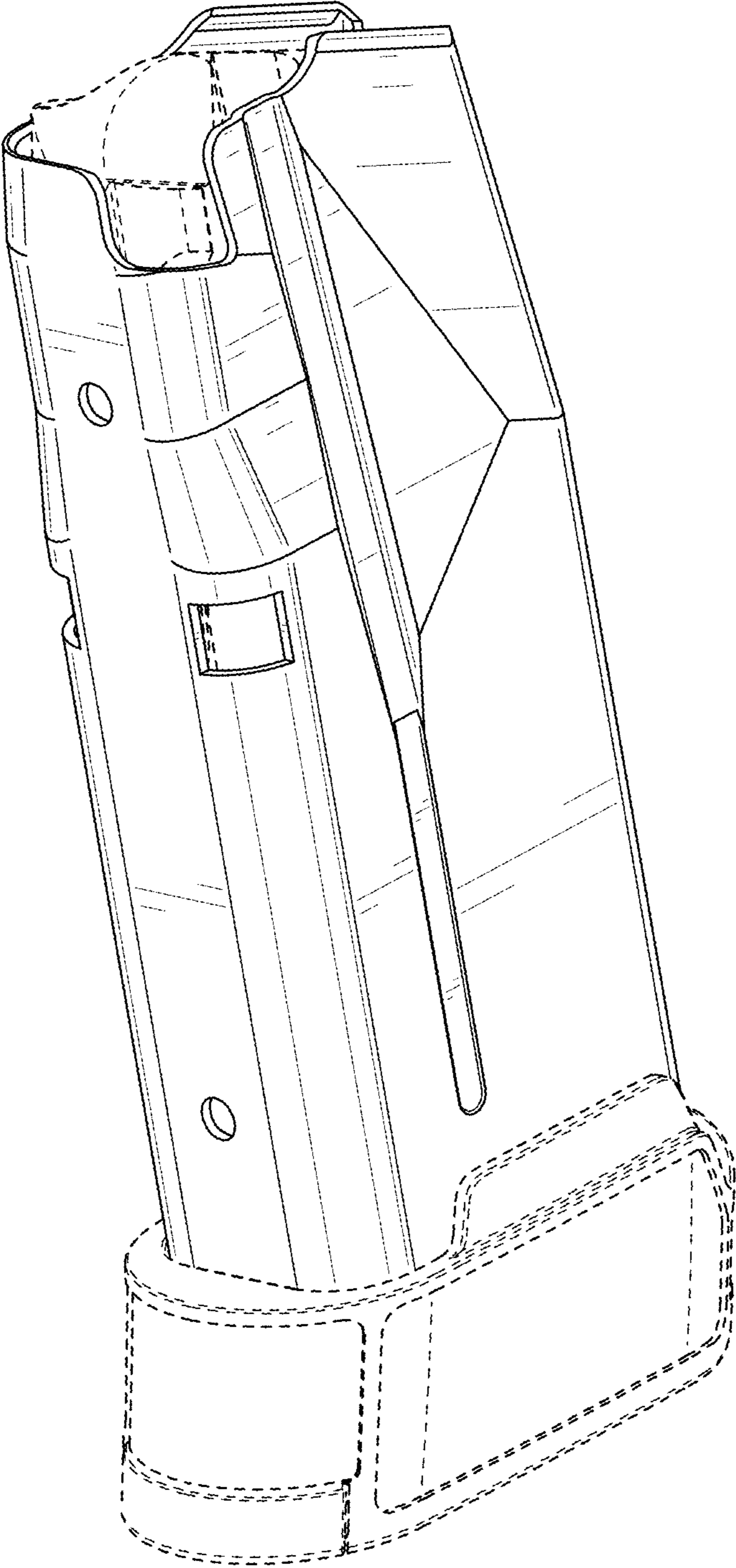


FIG. 2

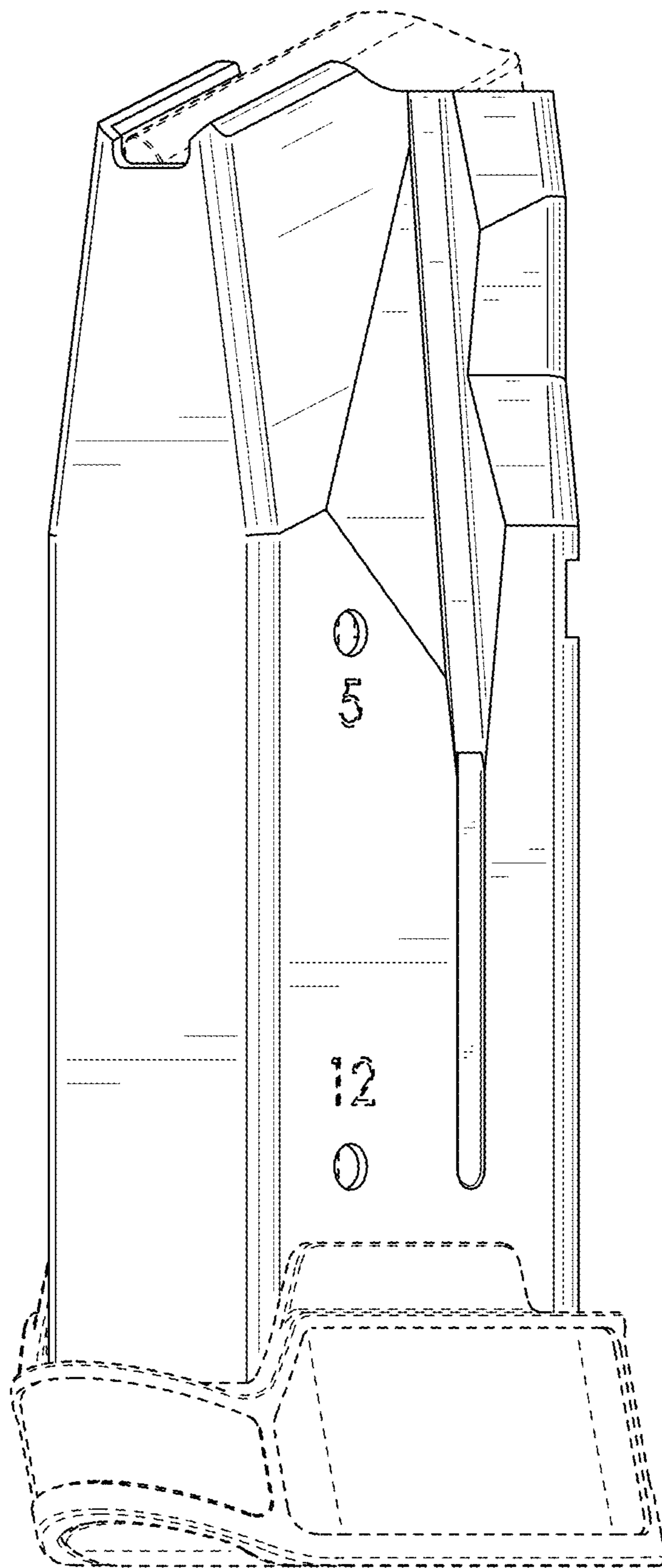


FIG. 3

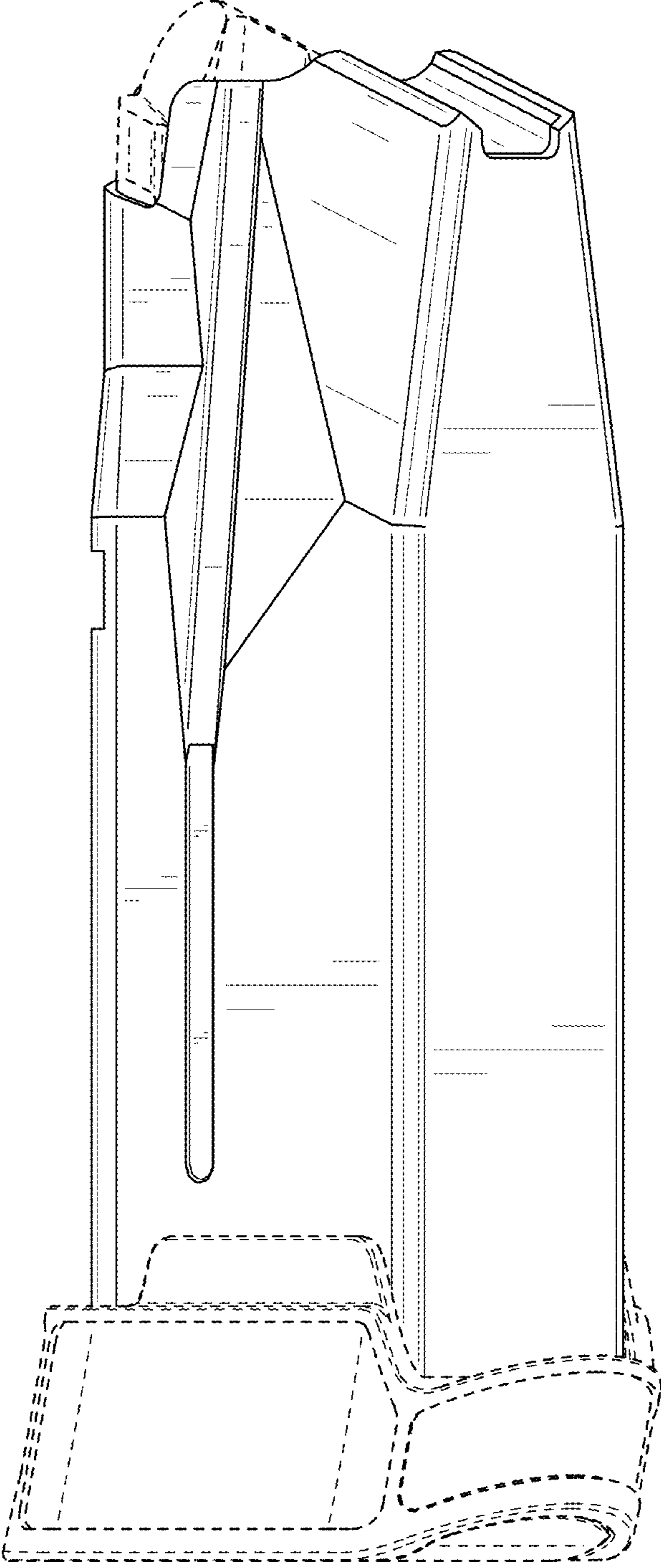


FIG. 4

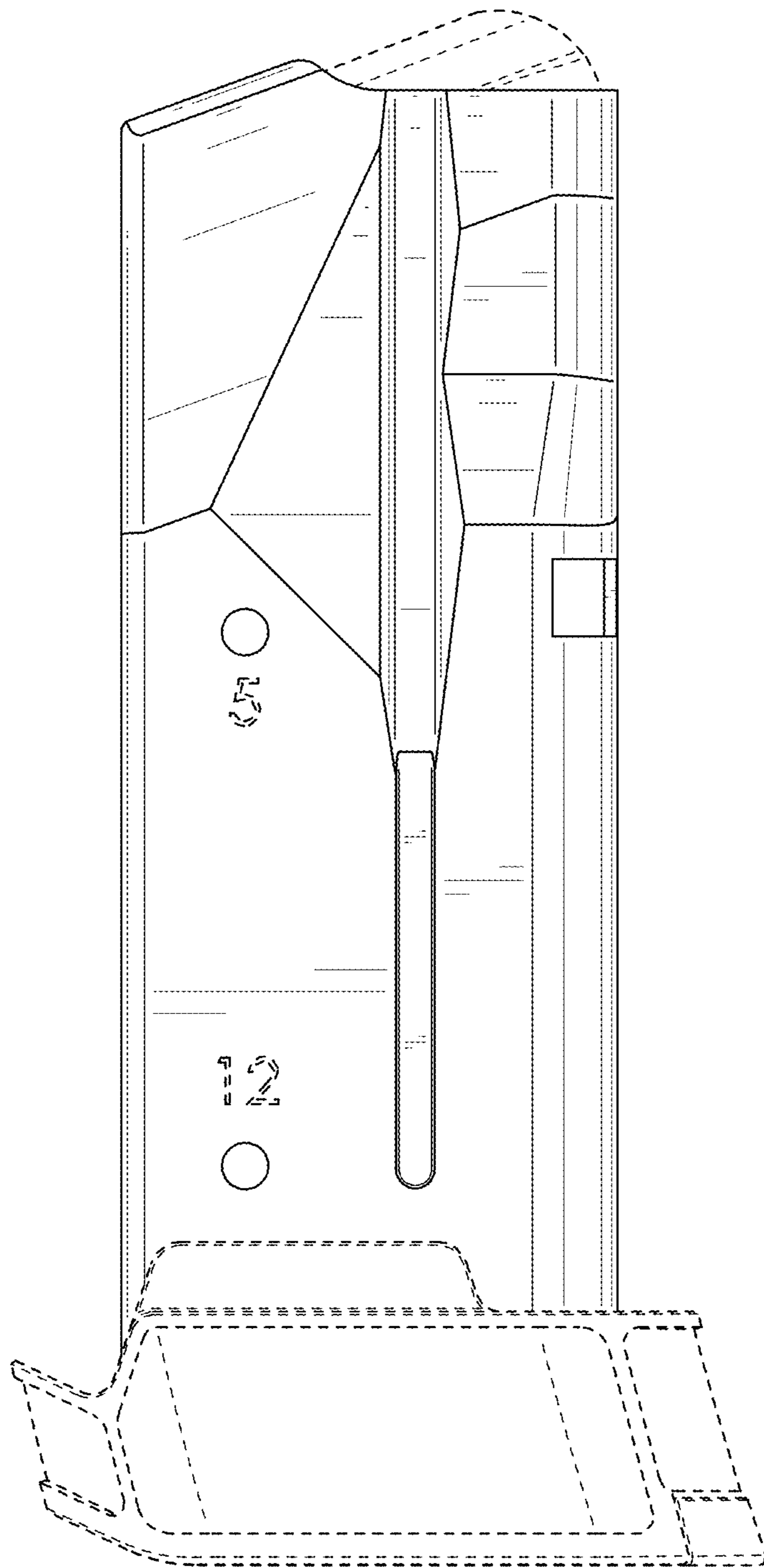


FIG. 5

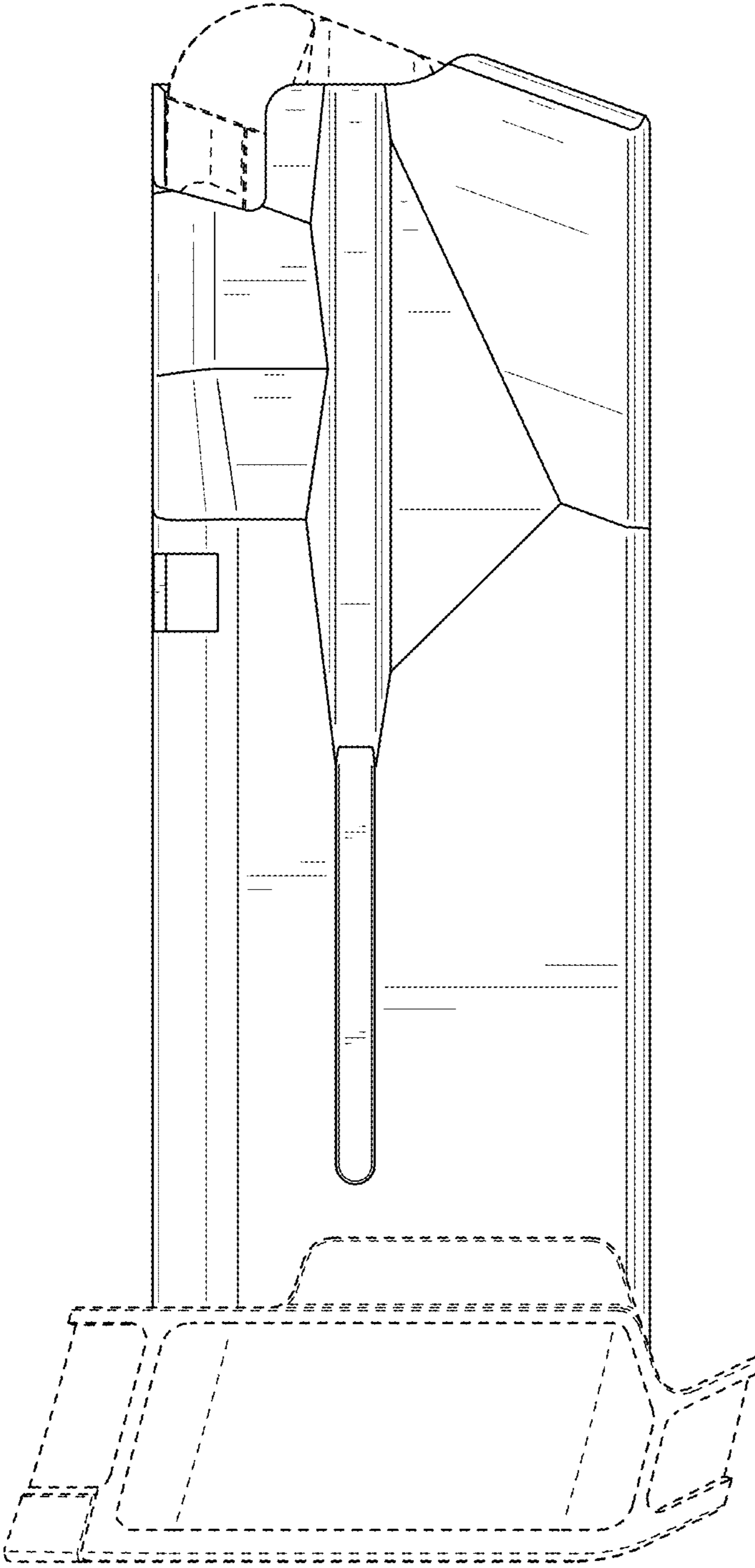


FIG. 6



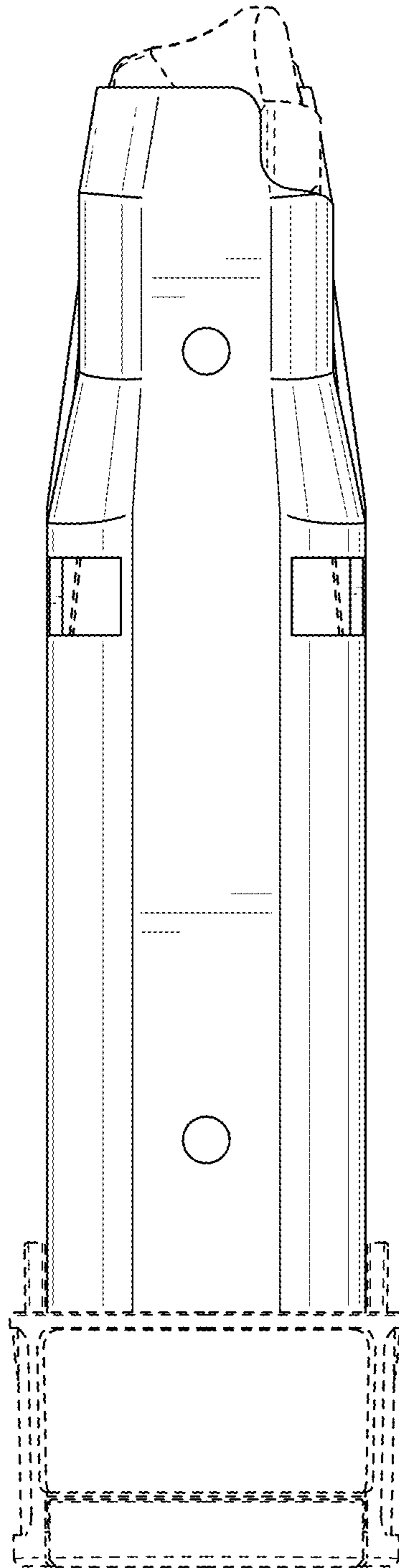


FIG. 7

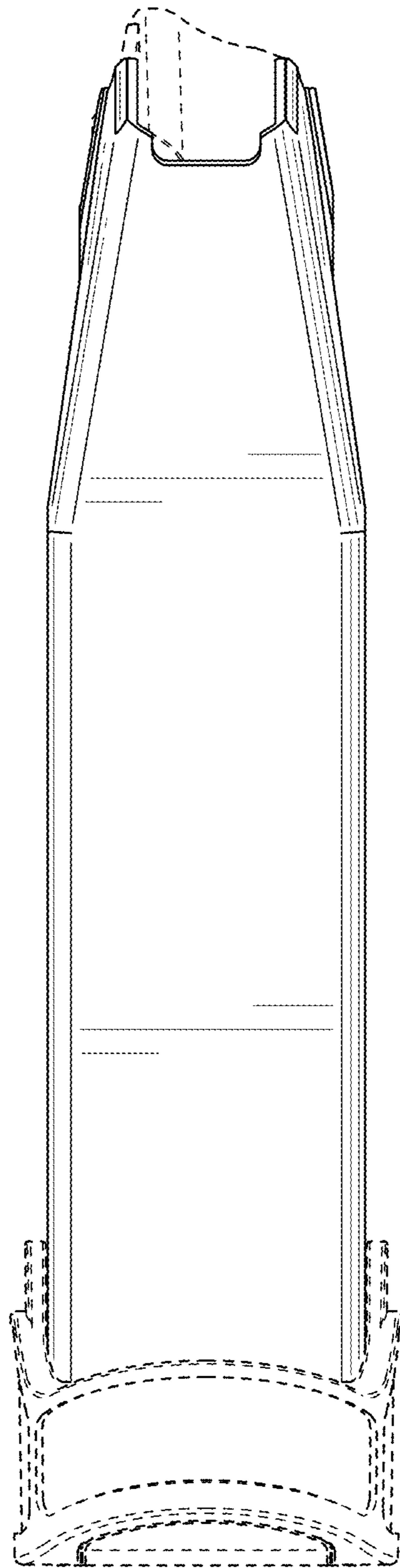


FIG. 8

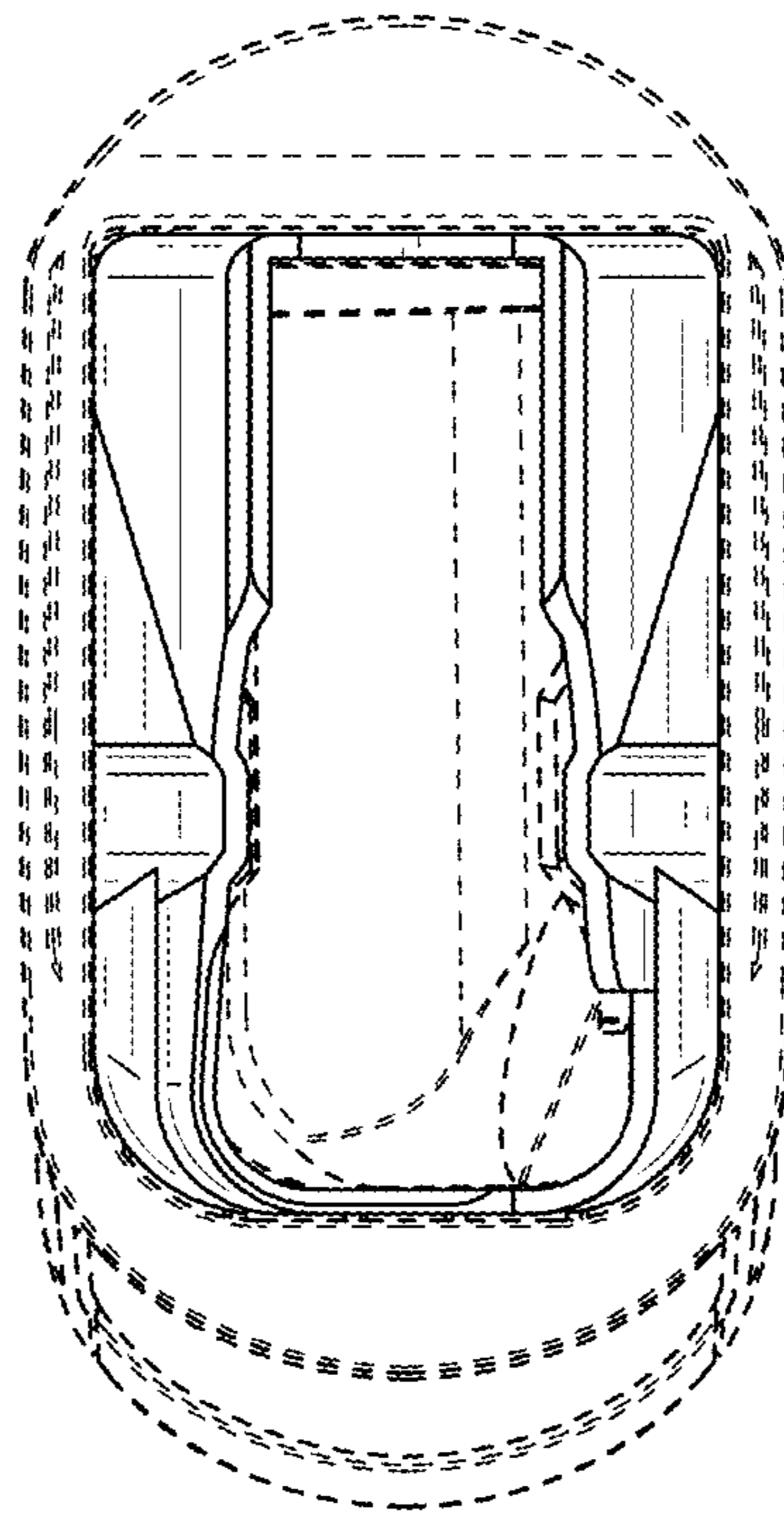


FIG. 9

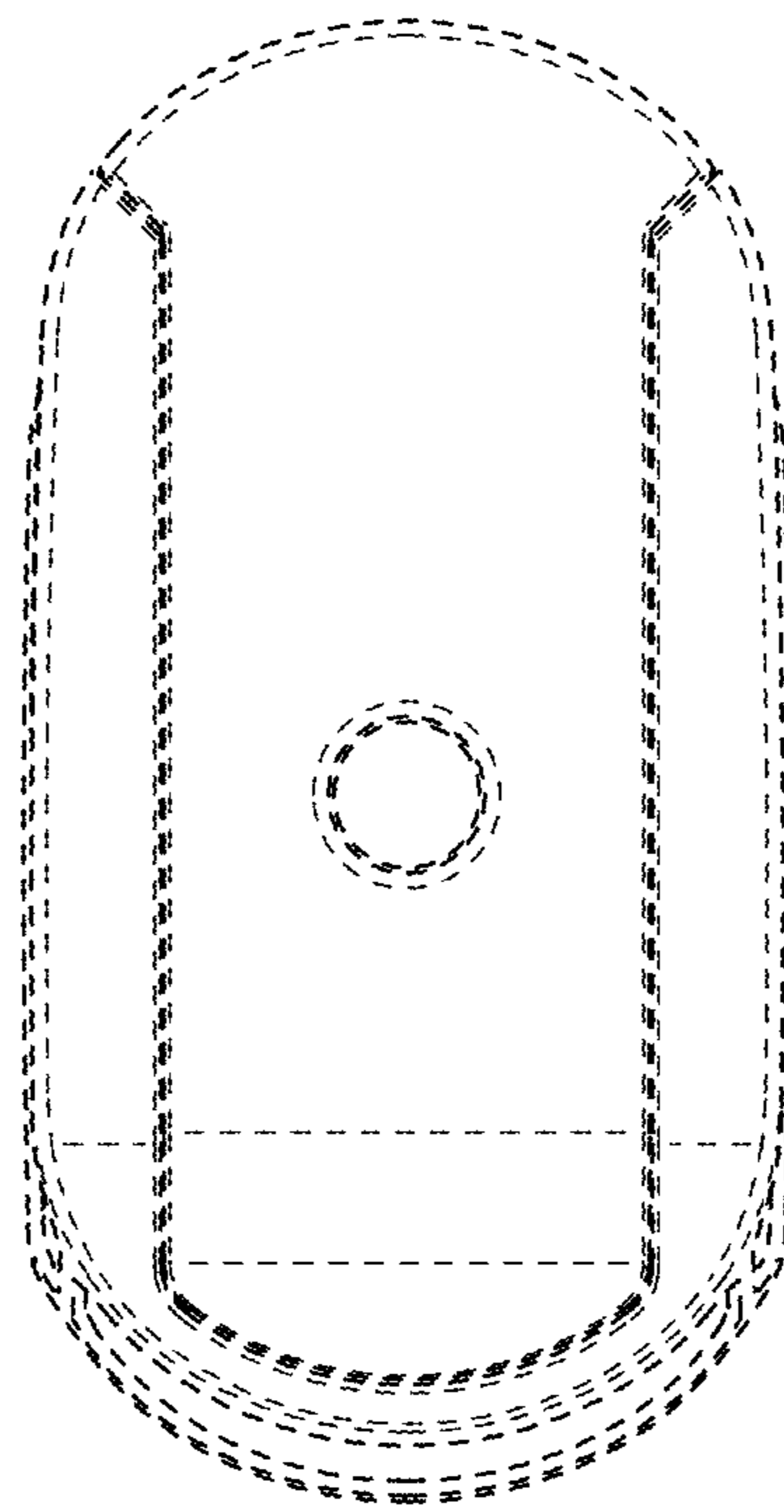


FIG. 10

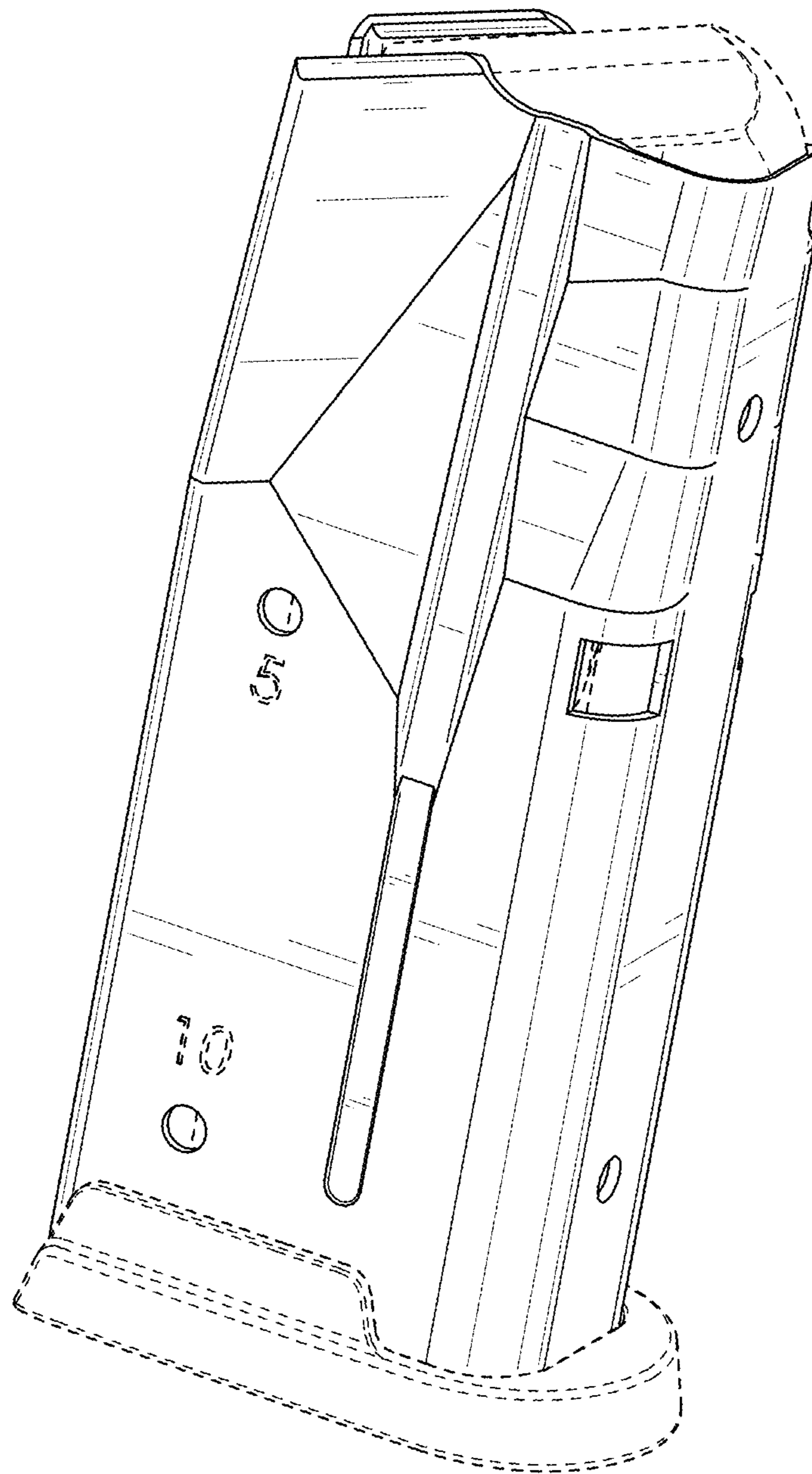


FIG. 11

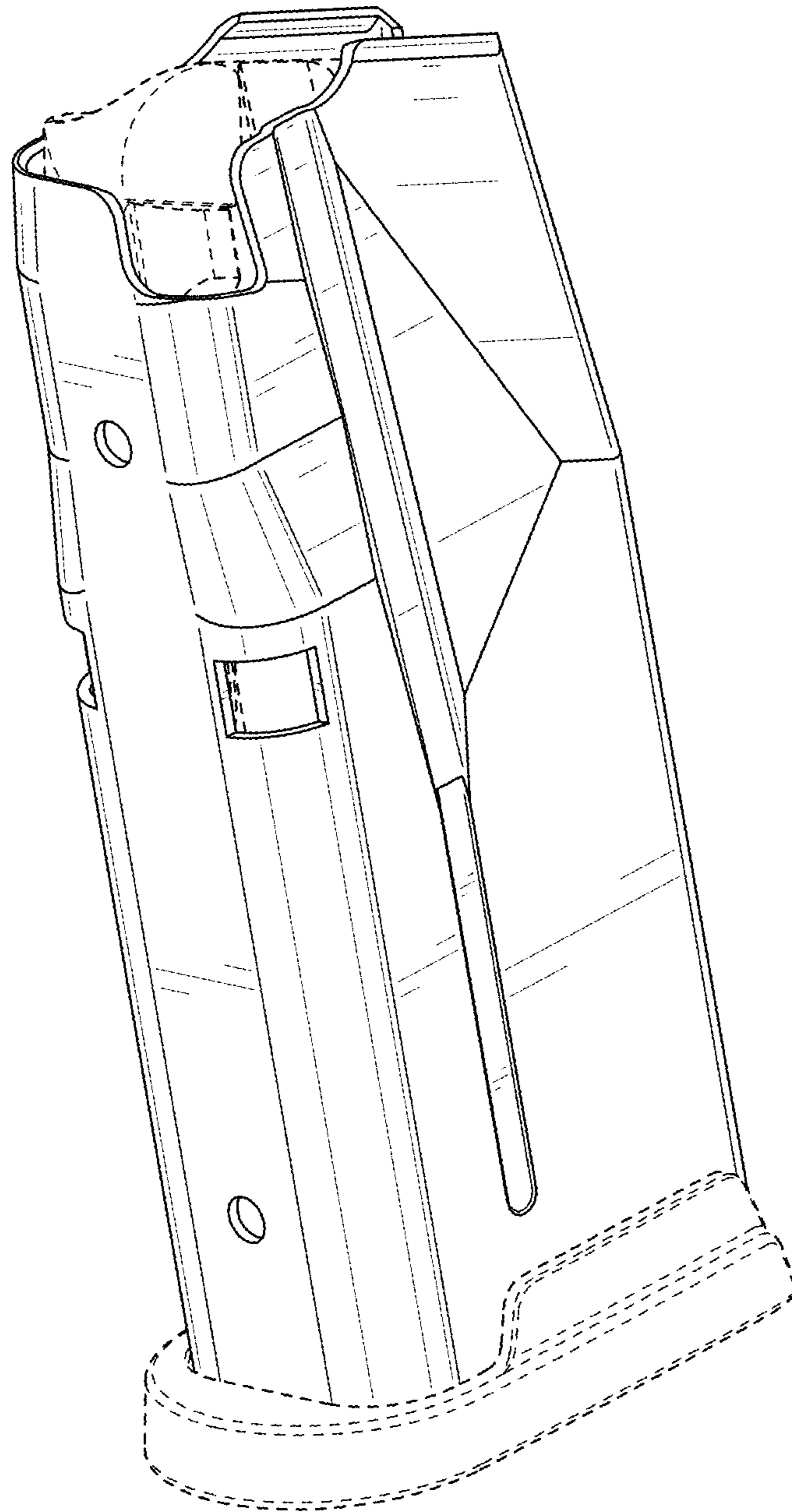


FIG. 12

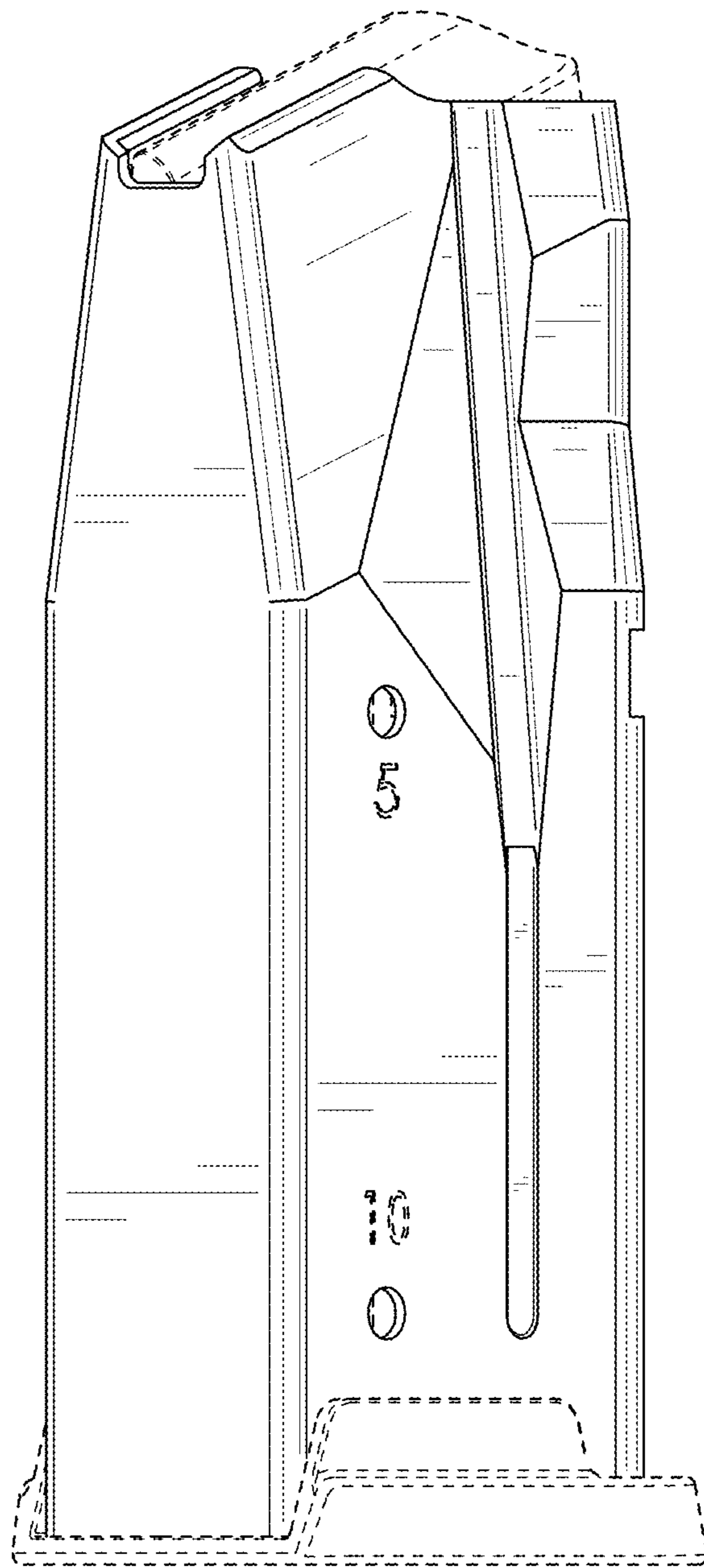


FIG. 13

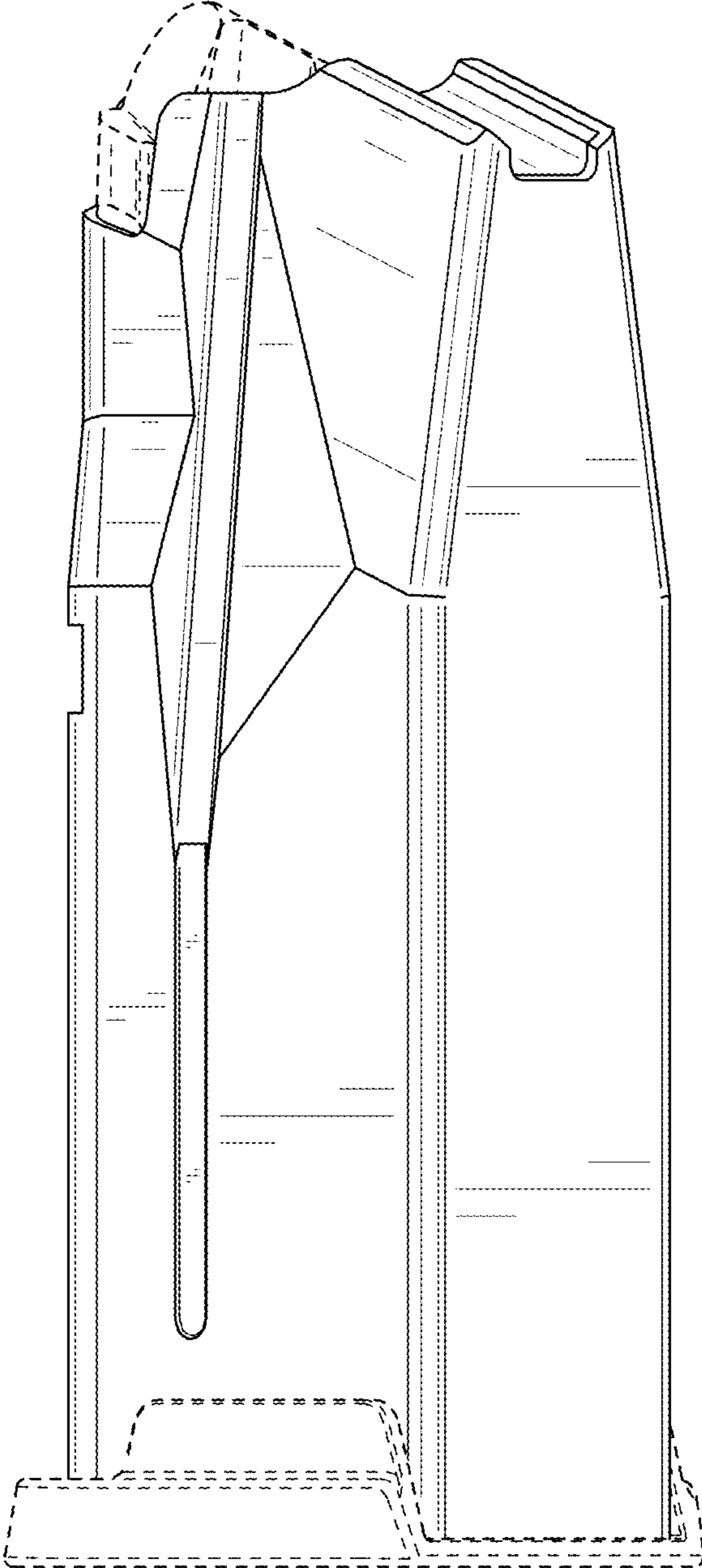


FIG. 14



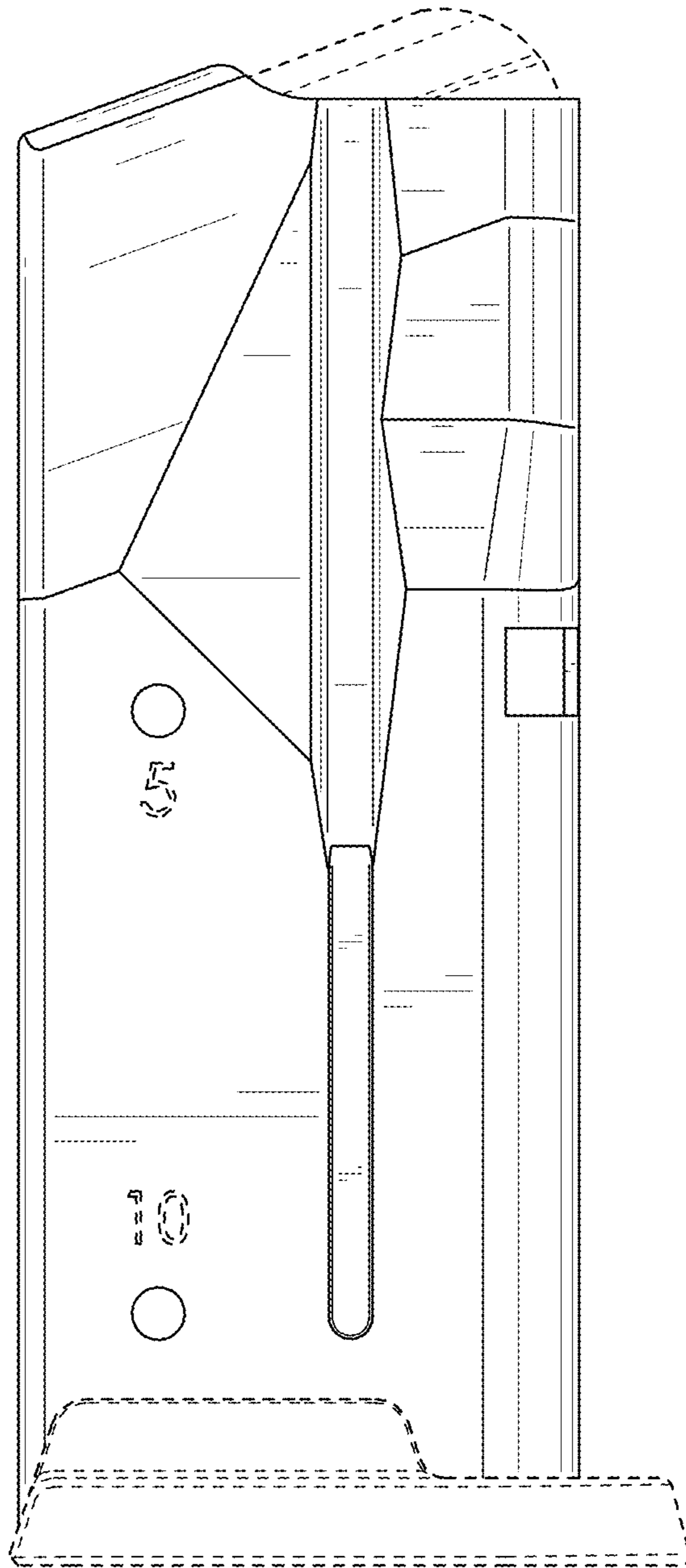


FIG. 15

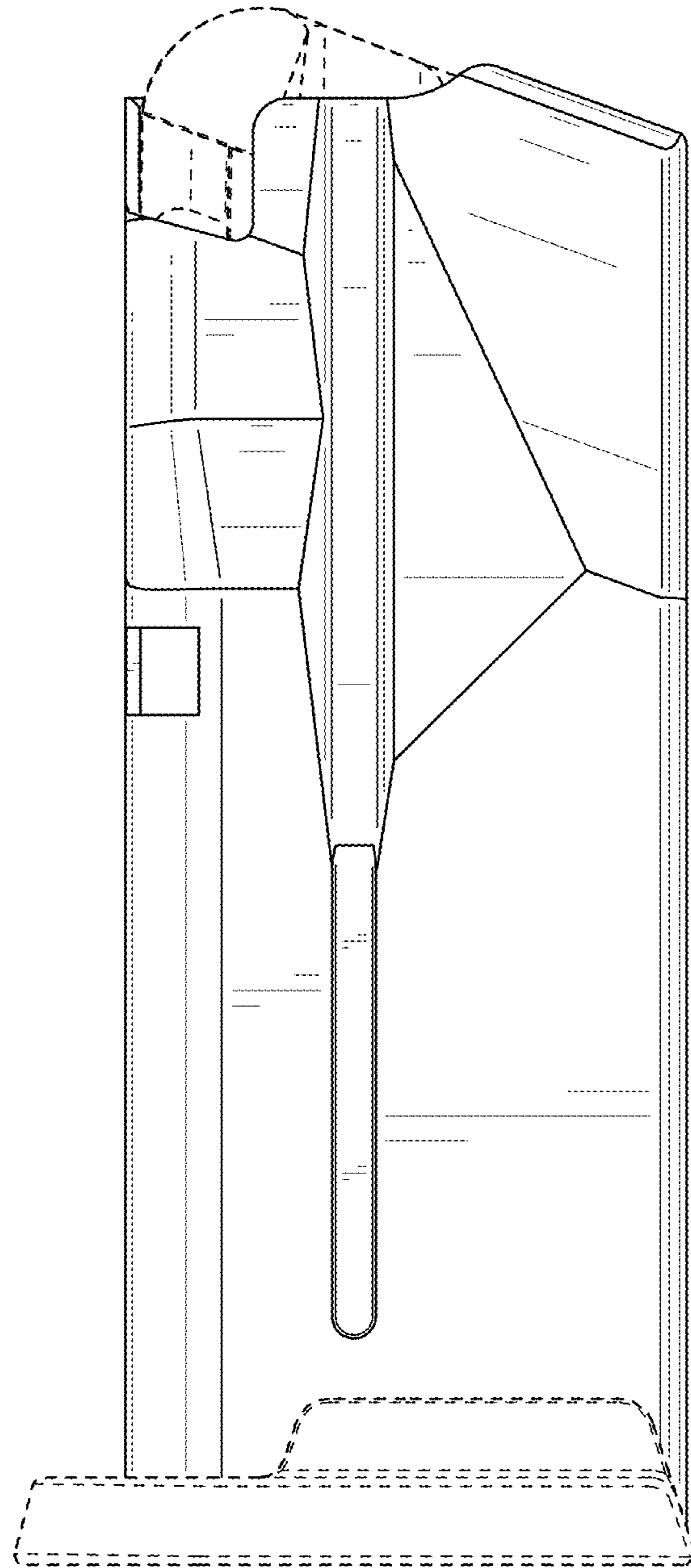


FIG. 16

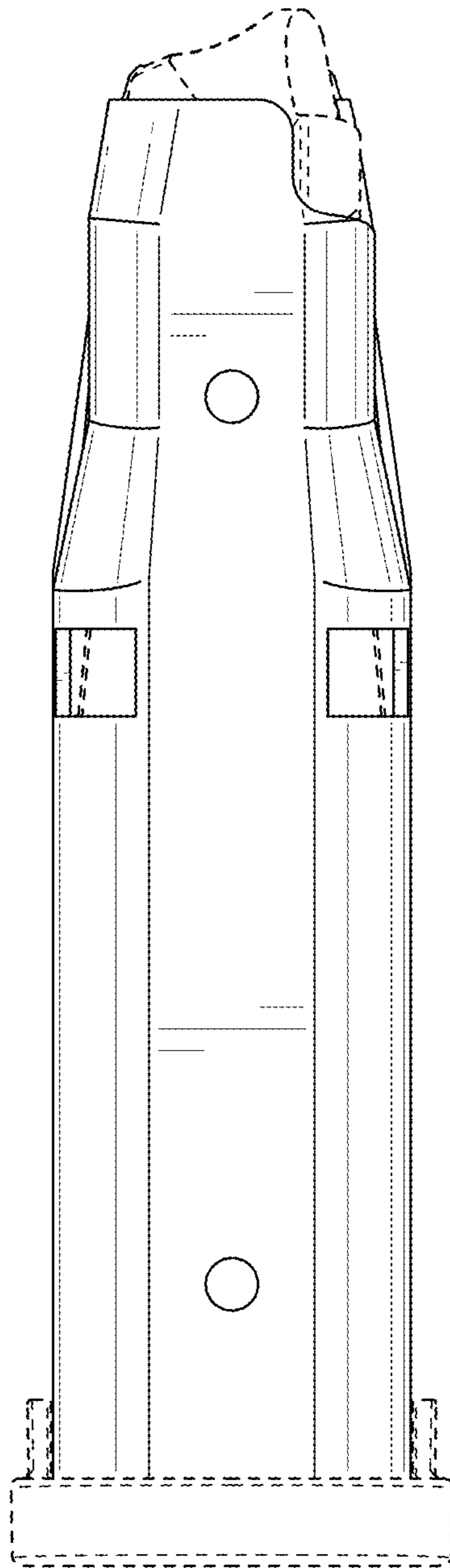


FIG. 17

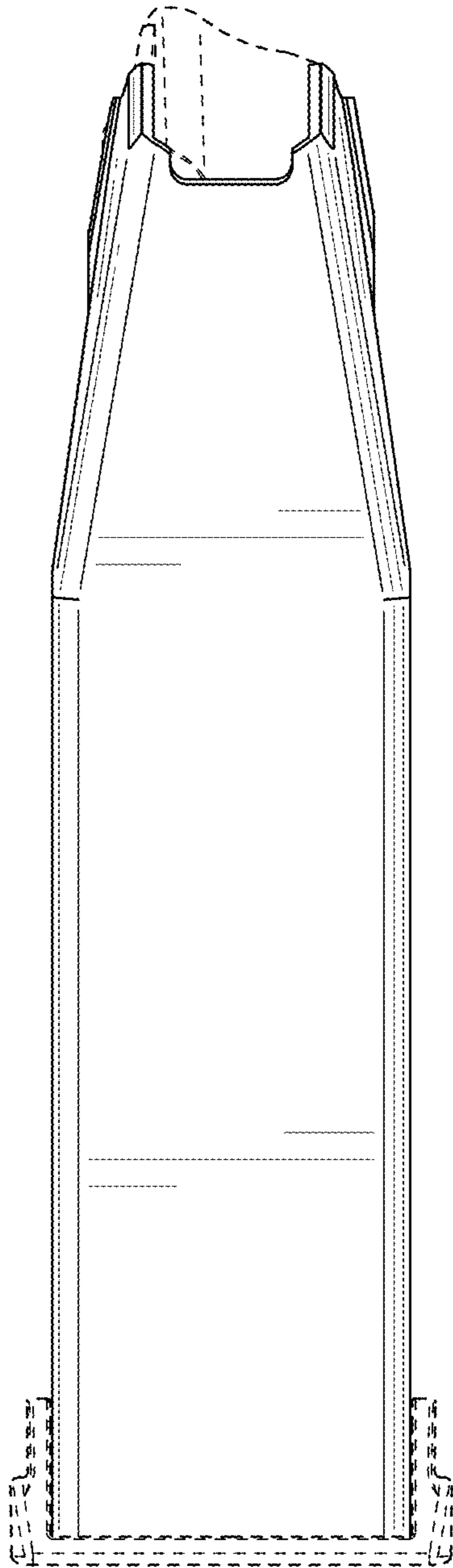


FIG. 18

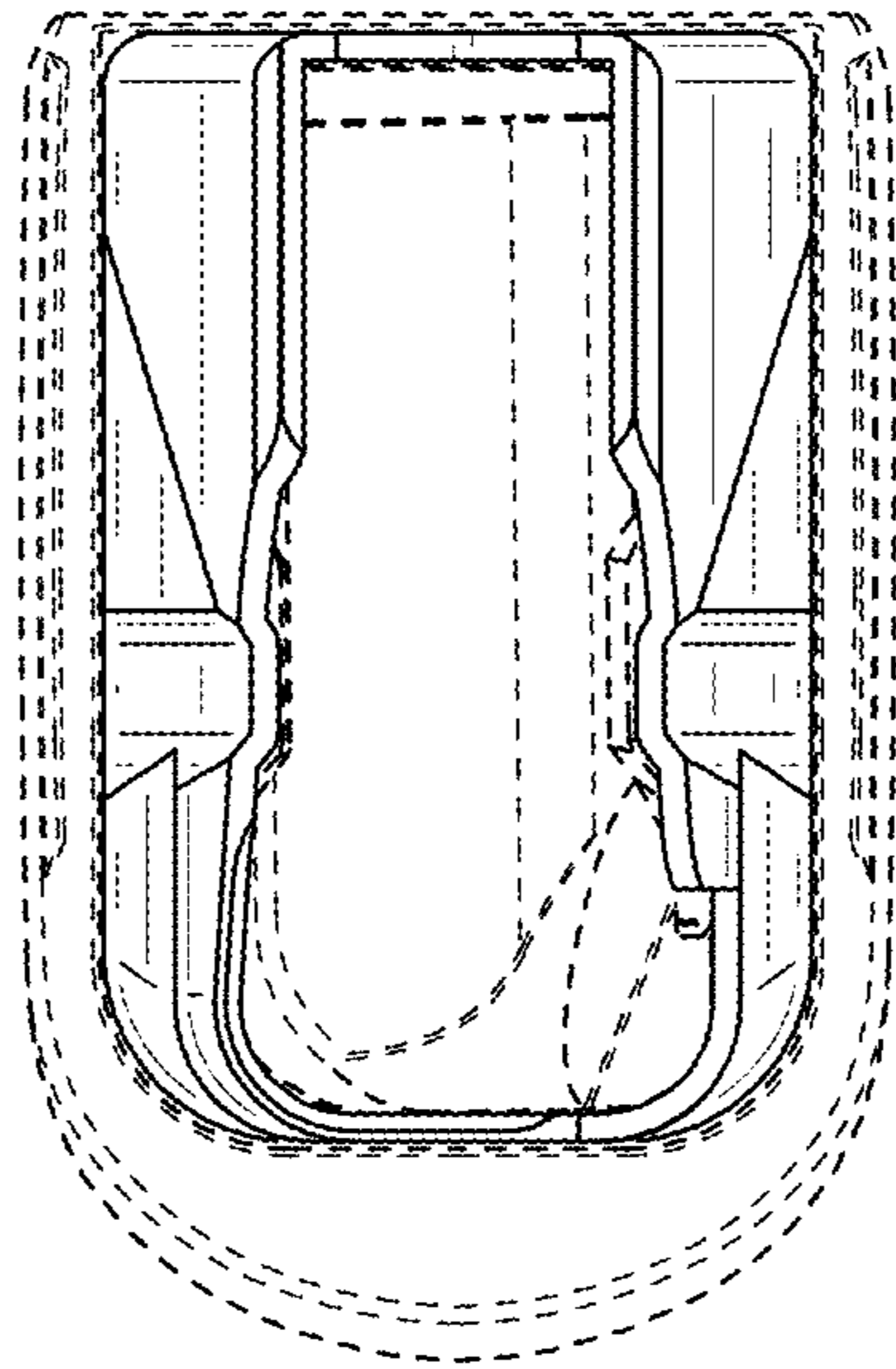


FIG. 19

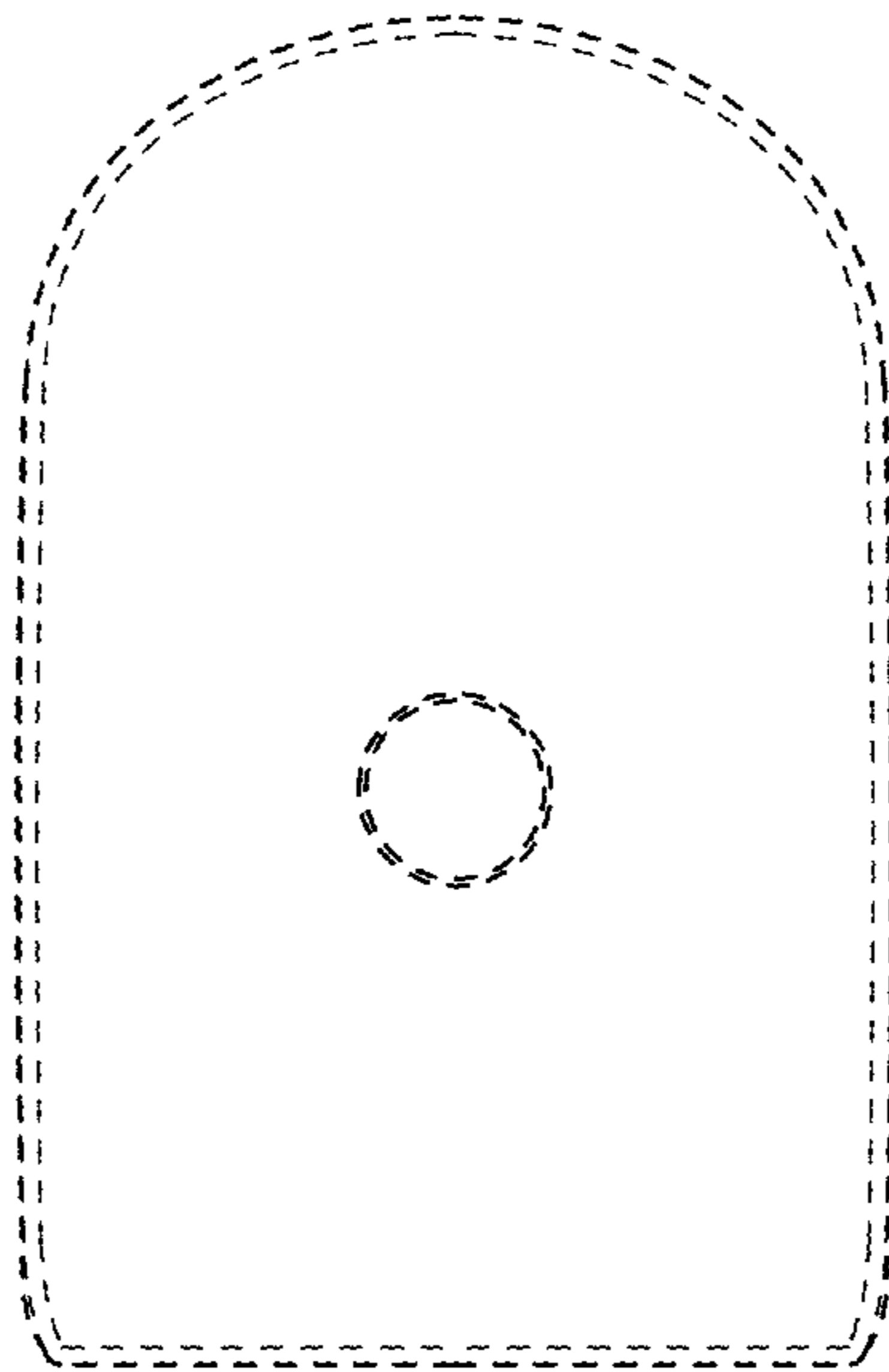


FIG. 20