



US00D858679S

(12) **United States Design Patent**
Olivas, Jr.

(10) **Patent No.:** **US D858,679 S**

(45) **Date of Patent:** **** Sep. 3, 2019**

(54) **SAFETY DEVICE**

(71) Applicant: **Arthur R. Olivas, Jr.**, Tucson, AZ
(US)

(72) Inventor: **Arthur R. Olivas, Jr.**, Tucson, AZ
(US)

(73) Assignees: **Samuel Aaron Olivas**, Phoenix, AZ
(US); **Daniel Steven Olivas**, Phoenix,
AZ (US)

(**) Term: **15 Years**

(21) Appl. No.: **29/621,207**

(22) Filed: **Oct. 5, 2017**

(51) **LOC (12) Cl.** **22-01**

(52) **U.S. Cl.**
USPC **D22/108**

(58) **Field of Classification Search**
USPC D22/108
CPC F41A 17/46; F41A 17/22
See application file for complete search history.

(56) **References Cited**

U.S. PATENT DOCUMENTS

D819,768 S * 6/2018 Dew D22/108
2018/0274872 A1* 9/2018 Zukowski F41A 17/20

2019/0107353 A1* 4/2019 Thomele F41A 19/32

* cited by examiner

Primary Examiner — Michael A. Pratt

(74) *Attorney, Agent, or Firm* — Yakov S. Sidorin;
Quarles & Brady LLP

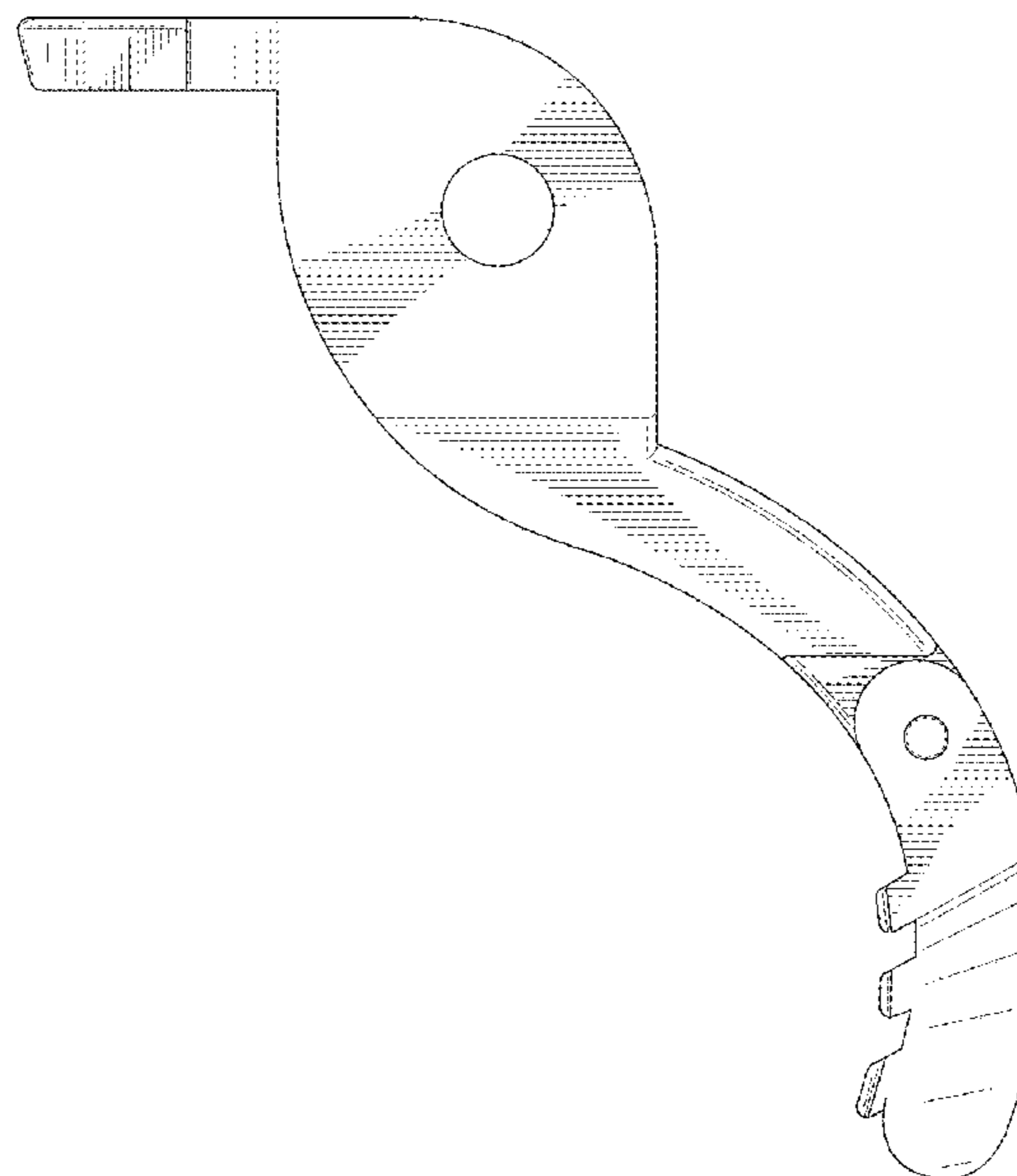
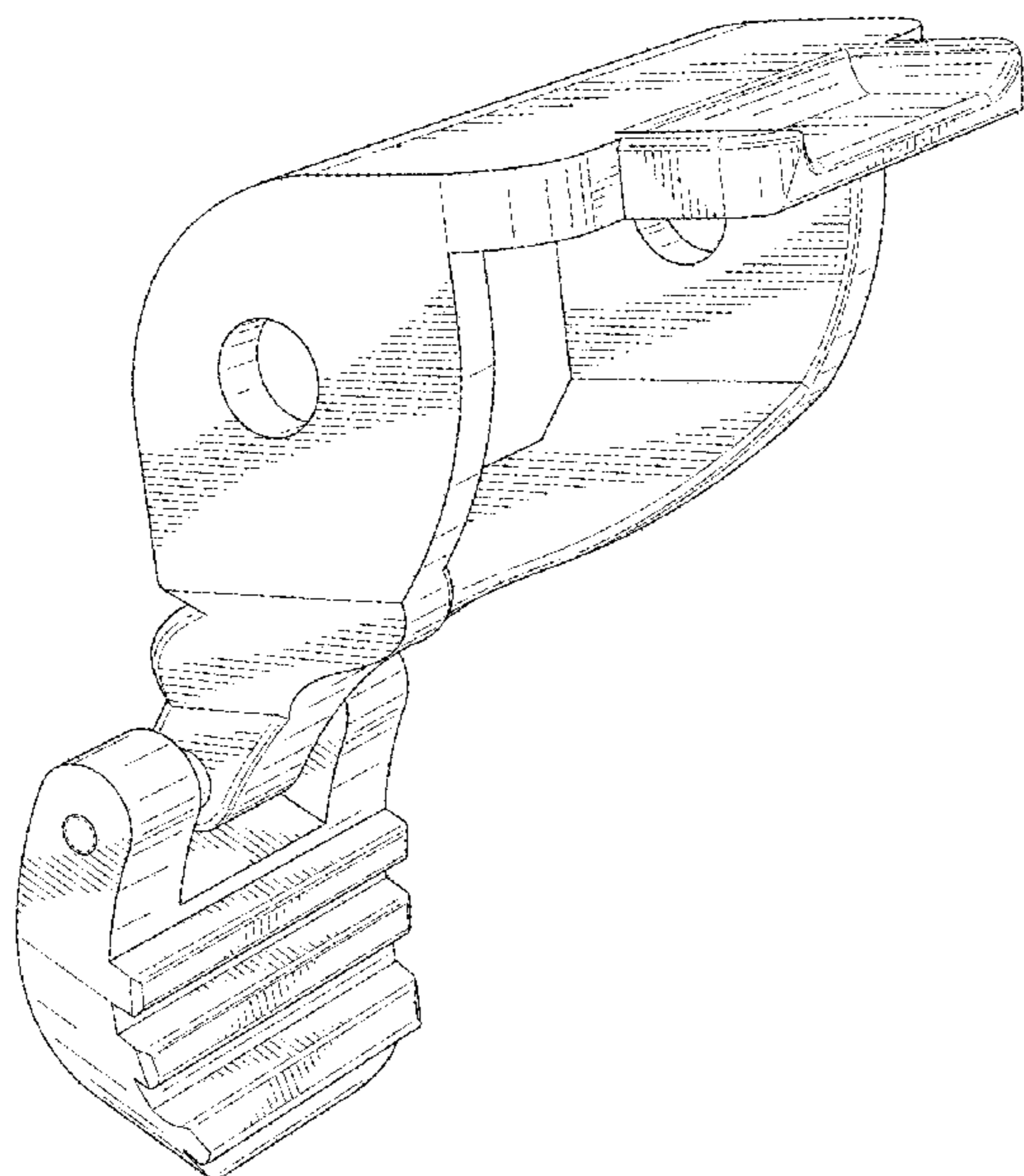
(57) **CLAIM**

The ornamental design for a safety device, as shown and described.

DESCRIPTION

FIG. 1 is a first perspective view of the design;
FIG. 2 is a second perspective view thereof;
FIG. 3 is a first elevational view thereof;
FIG. 4 is a second elevational view thereof;
FIG. 5 is a third elevational view thereof;
FIG. 6 is a fourth elevational view thereof;
FIG. 7 is a top plan view thereof; and,
FIG. 8 is a bottom plan view thereof.

1 Claim, 8 Drawing Sheets



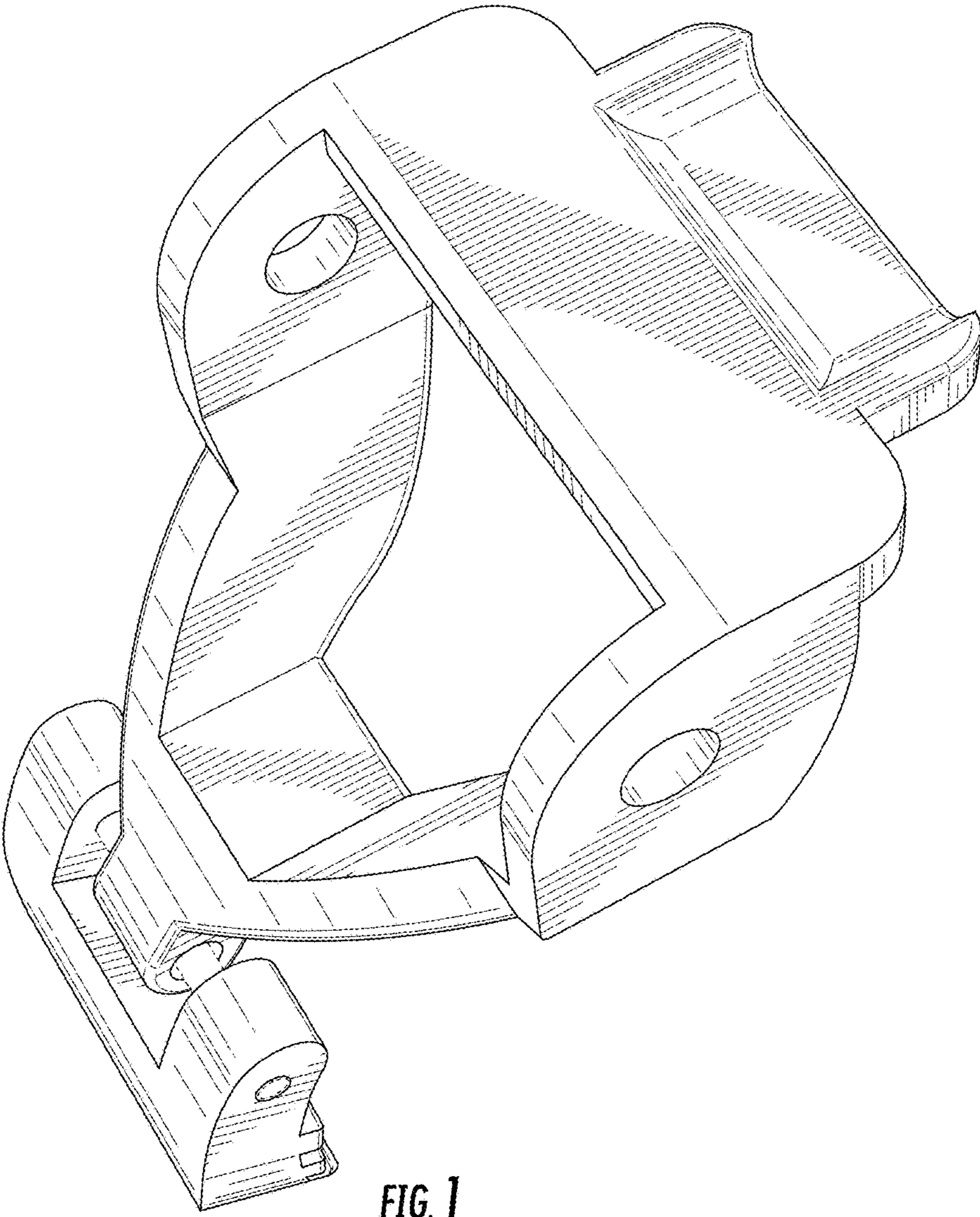


FIG. 1

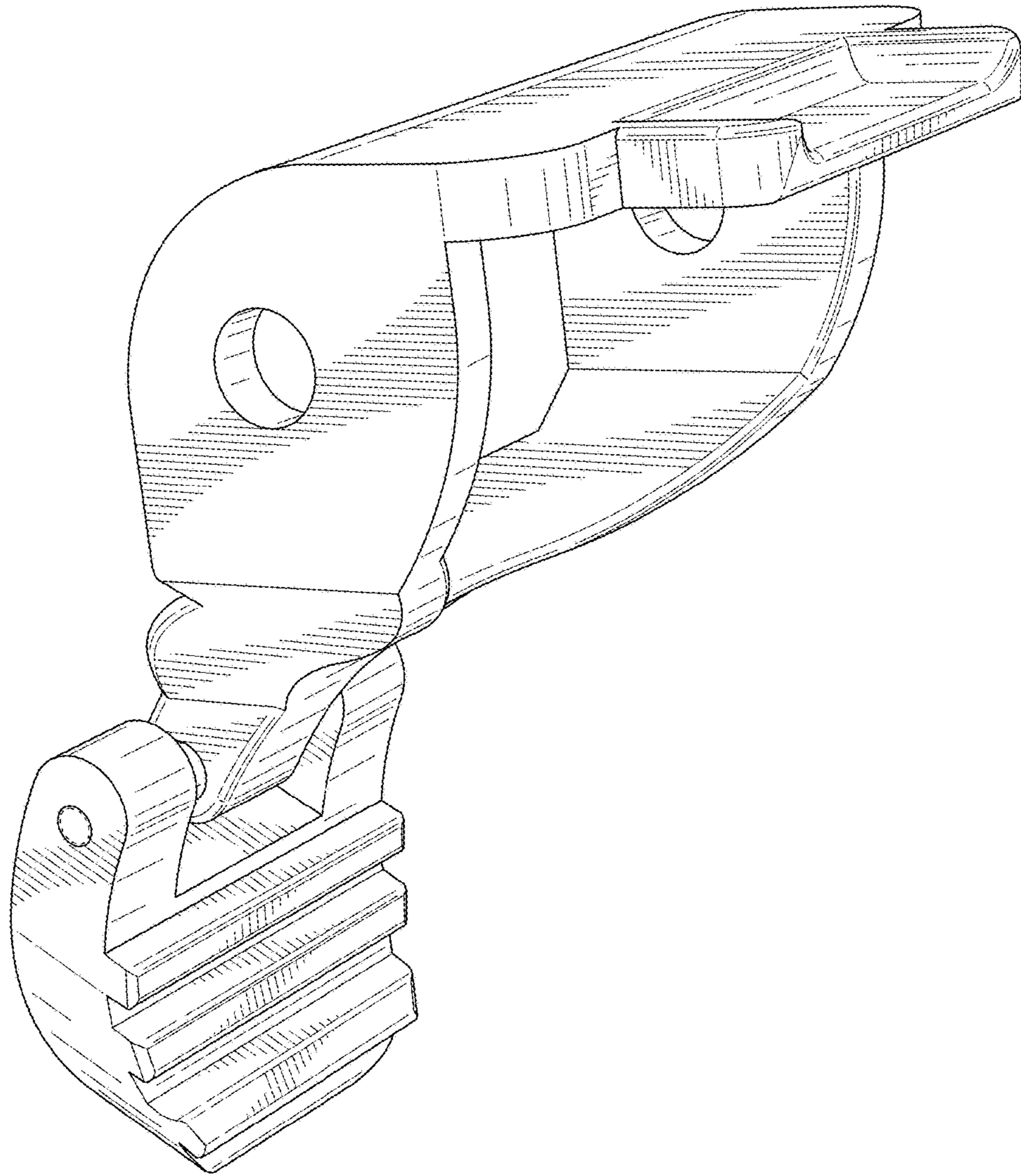


FIG. 2

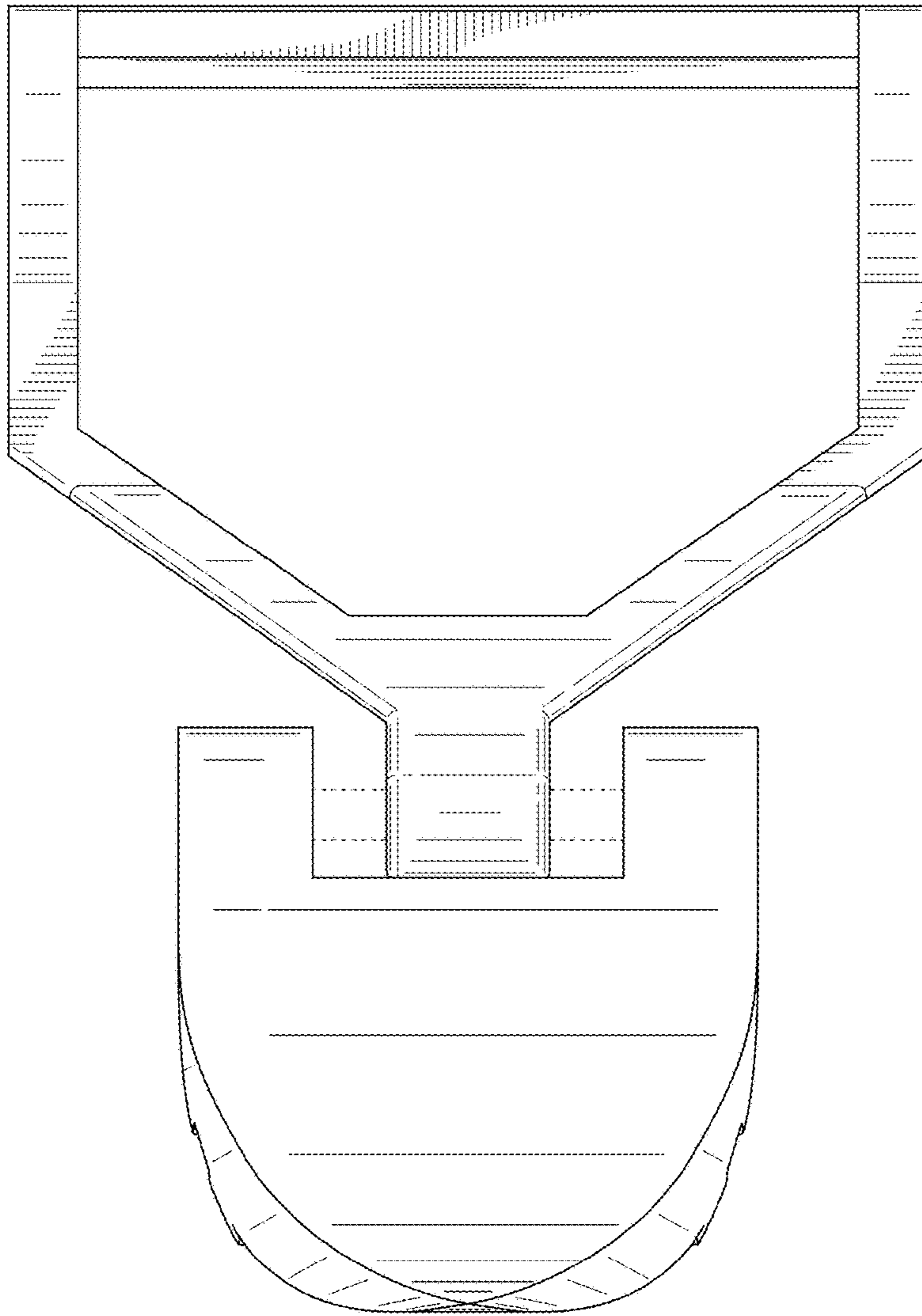


FIG. 3

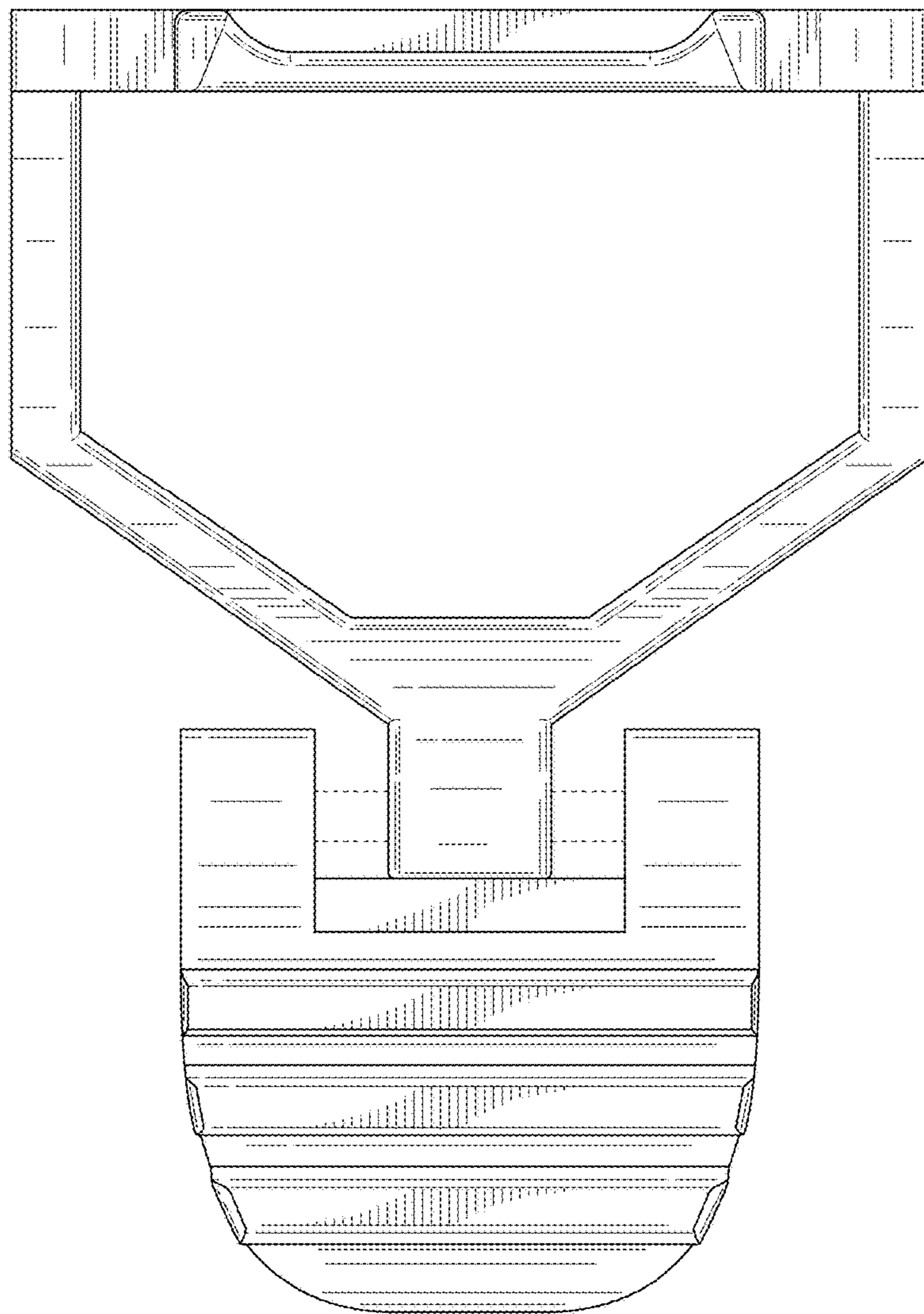


FIG. 4

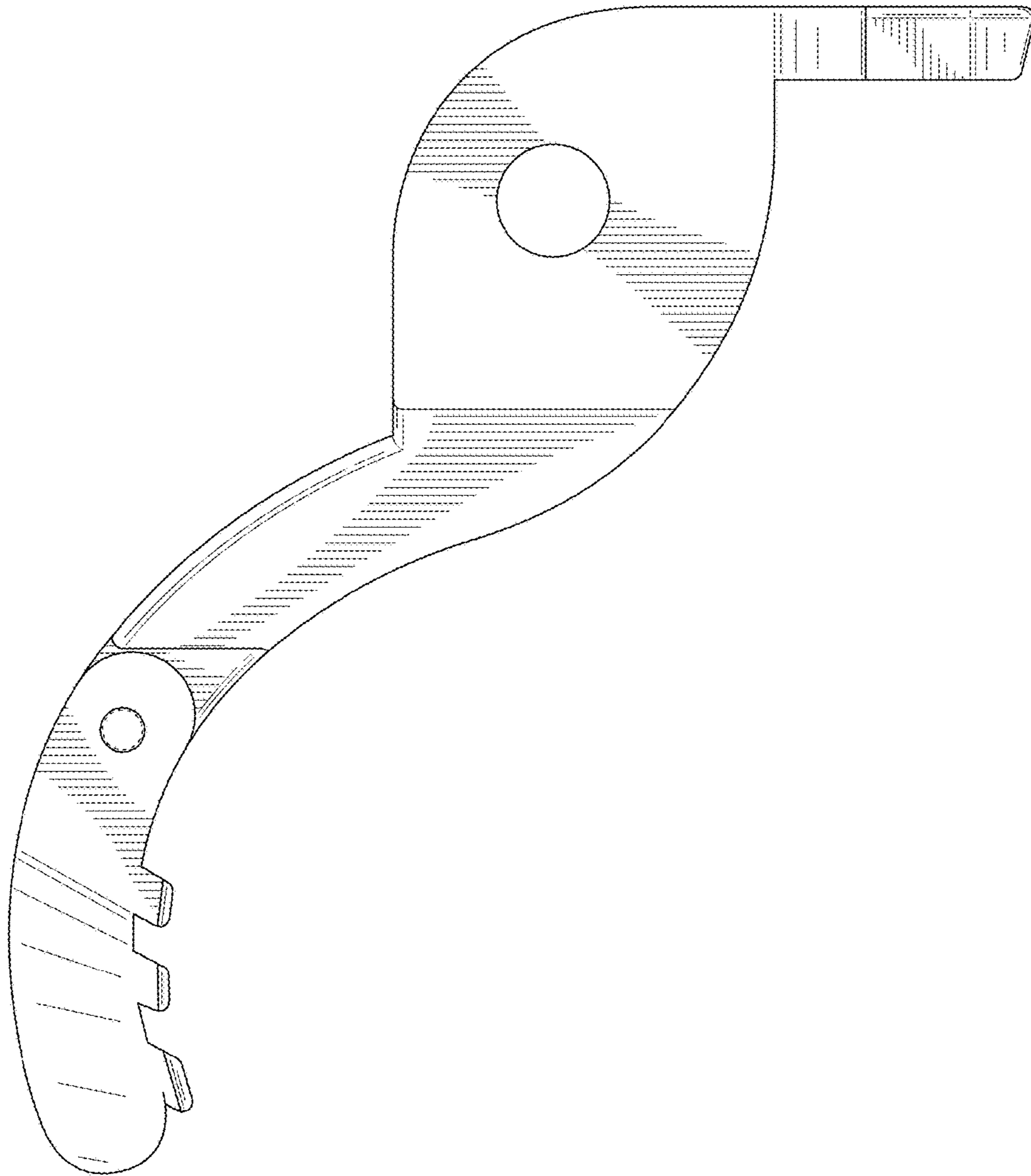


FIG. 5

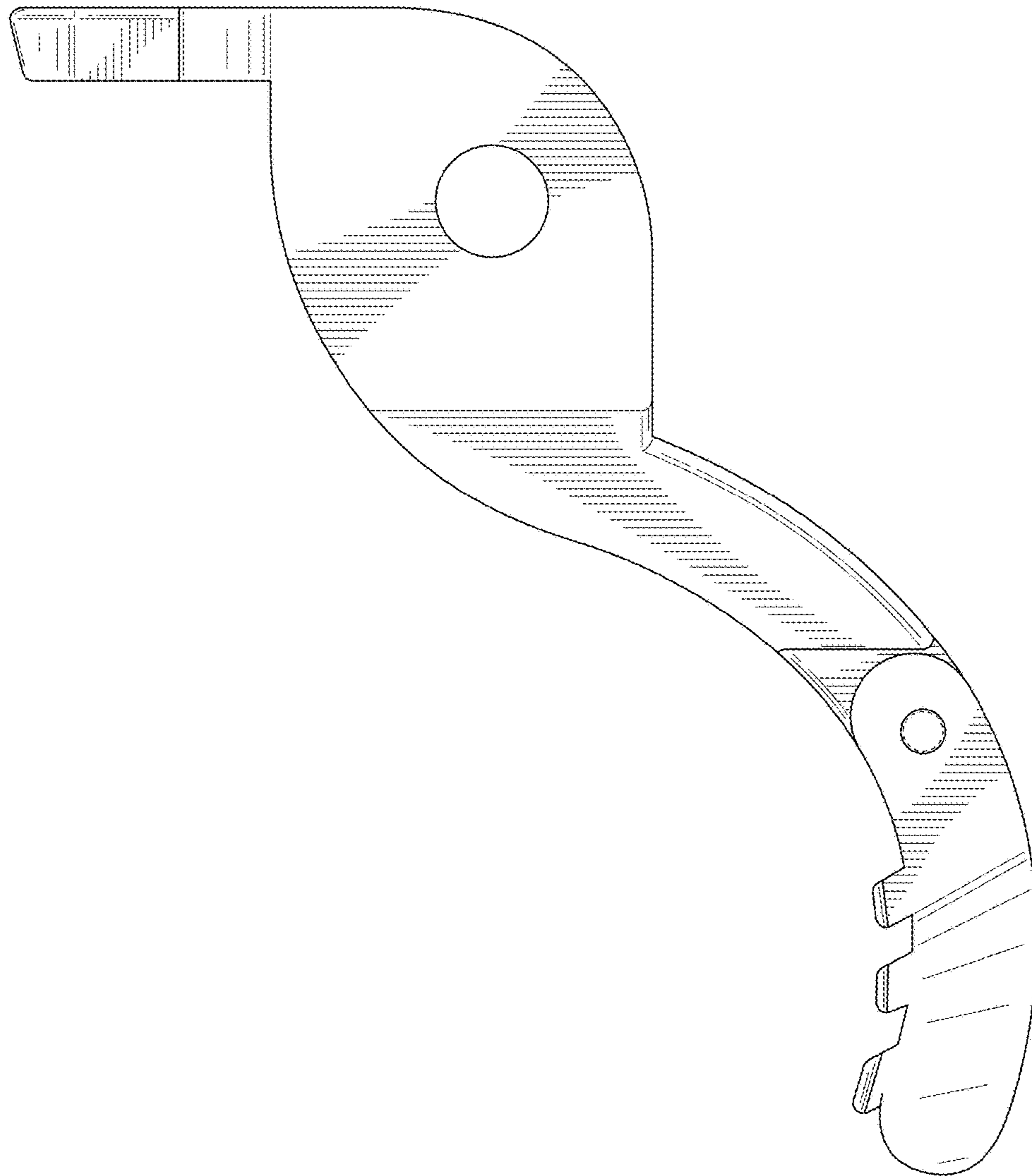


FIG. 6

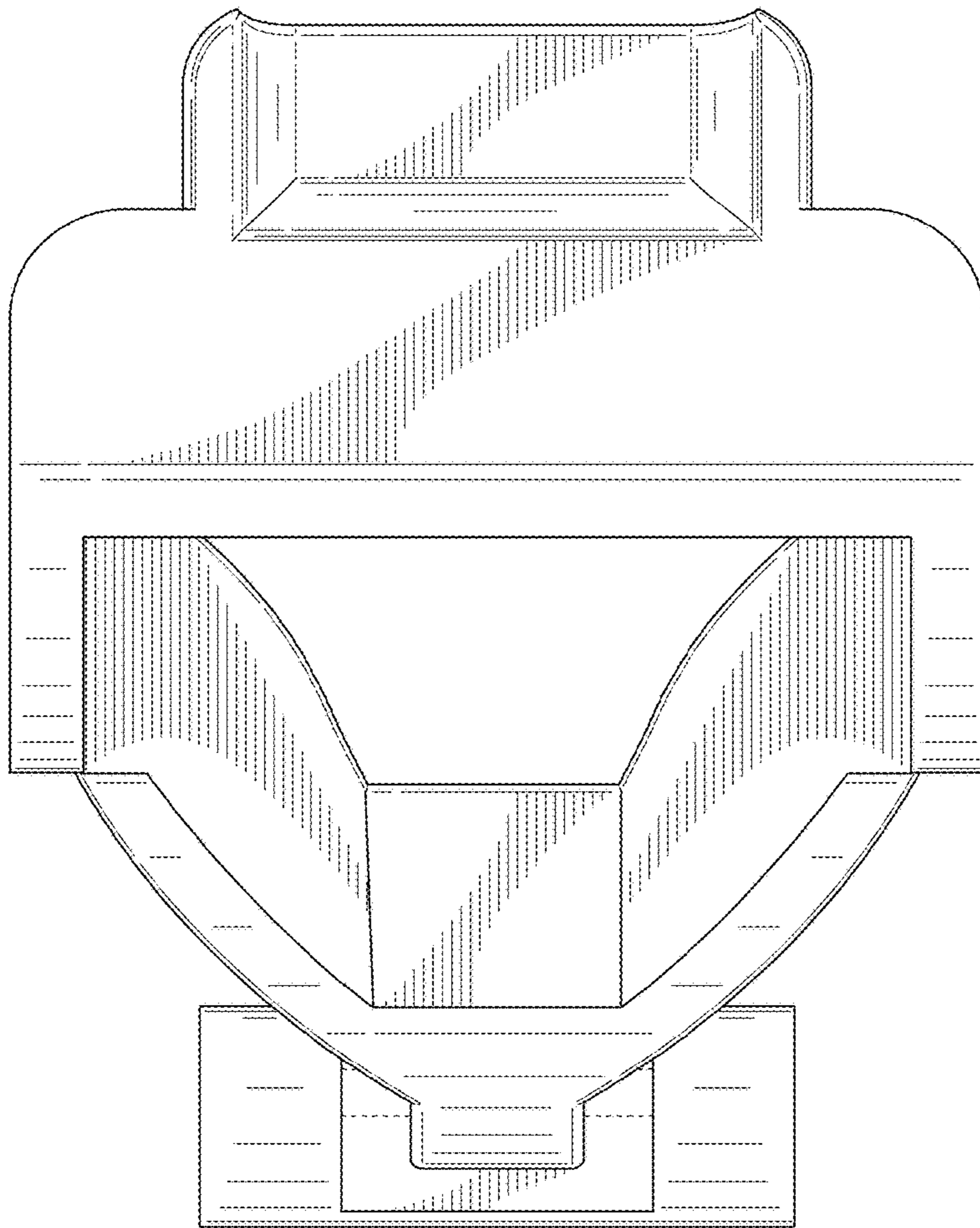


FIG. 7

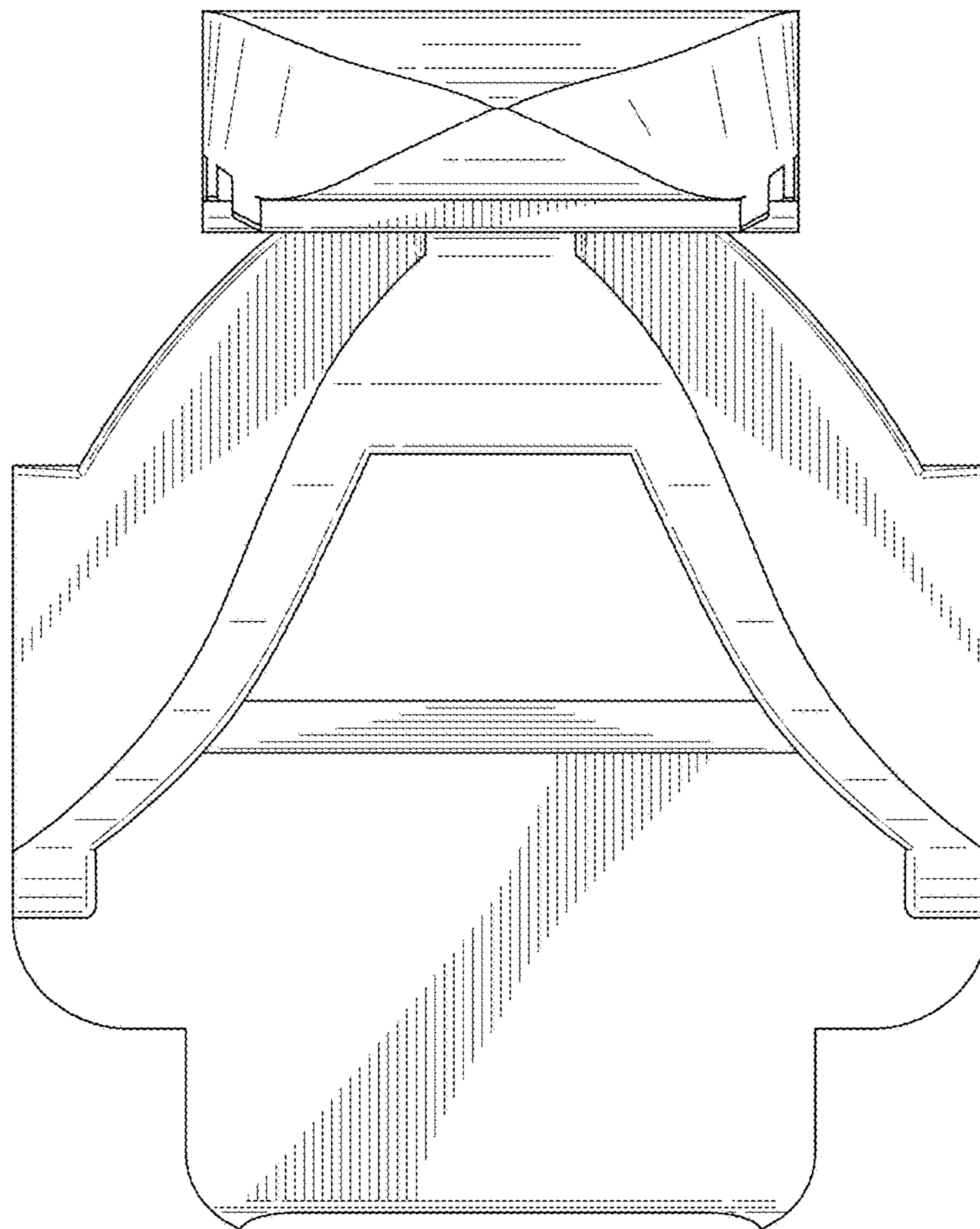


FIG. 8