



US00D858678S

(12) **United States Design Patent**
Thomas

(10) **Patent No.:** **US D858,678 S**
(45) **Date of Patent:** **** Sep. 3, 2019**

- (54) **AMMO SLOT HOLSTER BLOCK**
- (71) Applicant: **Christopher Carl Thomas**, Raleigh, NC (US)
- (72) Inventor: **Christopher Carl Thomas**, Raleigh, NC (US)
- (**) Term: **15 Years**
- (21) Appl. No.: **29/618,989**
- (22) Filed: **Sep. 26, 2017**
- (51) **LOC (12) Cl.** **22-01**
- (52) **U.S. Cl.**
USPC **D22/108**
- (58) **Field of Classification Search**
USPC D22/108, 115-116; D9/737, 749, 756; D6/368, 552
CPC F41A 23/10; F41A 23/18; F41A 17/44; F41A 23/16; F41A 29/00; F41C 27/00
See application file for complete search history.

(56) **References Cited**

U.S. PATENT DOCUMENTS

- D728,729 S * 5/2015 Geissele D22/109
- D730,483 S * 5/2015 Rein, Jr. D22/199

- D809,977 S * 2/2018 Smith D12/159
- D811,511 S * 2/2018 Jenkinson D22/108
- D811,512 S * 2/2018 Jenkinson D22/108
- 2011/0302819 A1* 12/2011 McGhan F41A 23/18
42/94
- 2012/0193254 A1* 8/2012 Kubiniec A47B 81/005
206/317
- 2016/0120308 A1* 5/2016 Kubiniec A47B 81/005
211/64

* cited by examiner

Primary Examiner — Michael A. Pratt

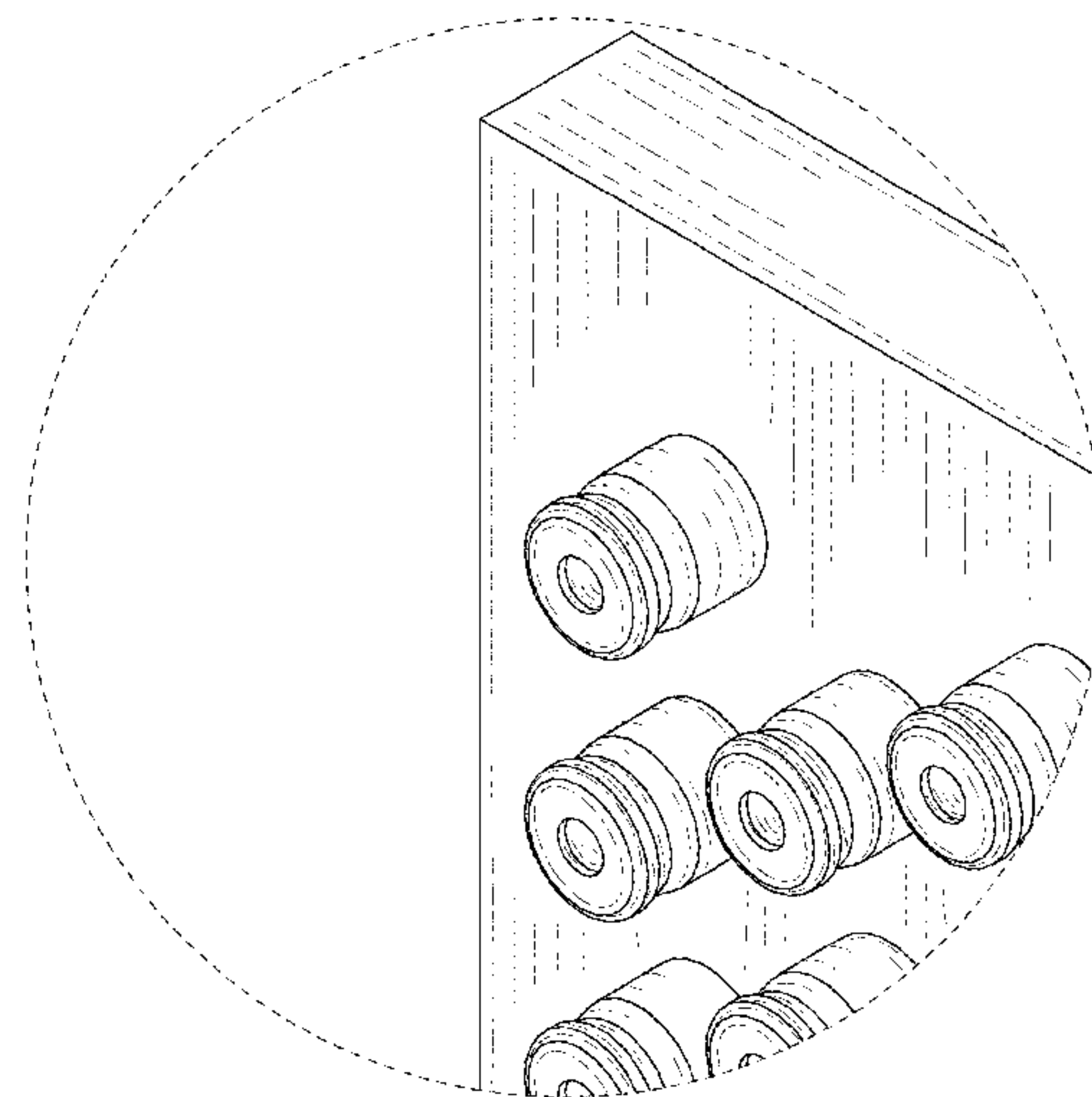
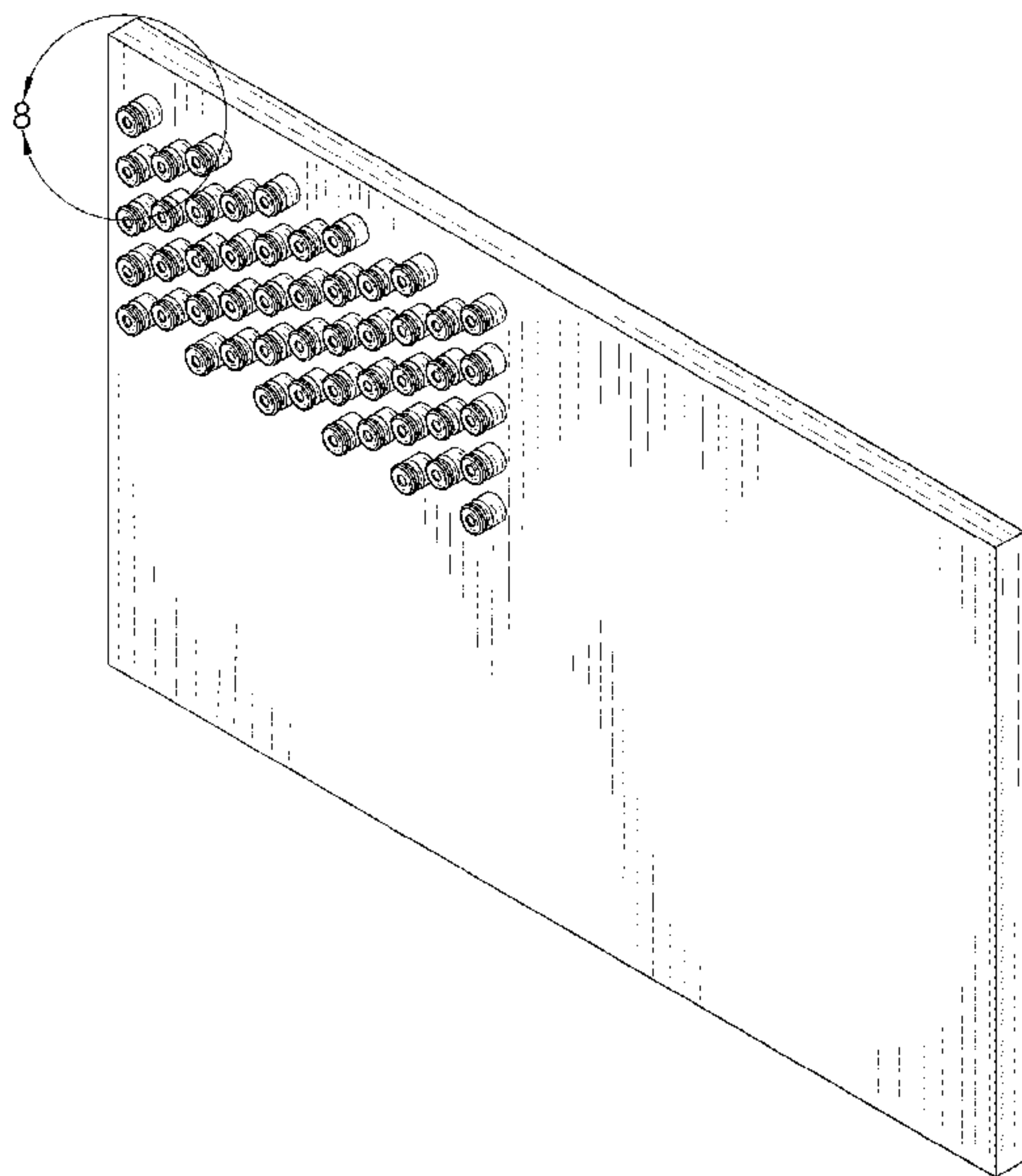
(57) **CLAIM**

The ornamental design for an ammo slot holster block, as shown and described.

DESCRIPTION

FIG. 1 is a perspective view of an ammo slot holster block showing my new design;
 FIG. 2 is a front elevational view thereof;
 FIG. 3 is a rear elevational view thereof;
 FIG. 4 is a left side elevational view thereof;
 FIG. 5 is a right side elevational view thereof;
 FIG. 6 is a bottom plan view thereof;
 FIG. 7 is a top plan view thereof; and,
 FIG. 8 is a detailed view taken about circle 8 in FIG. 1.

1 Claim, 8 Drawing Sheets



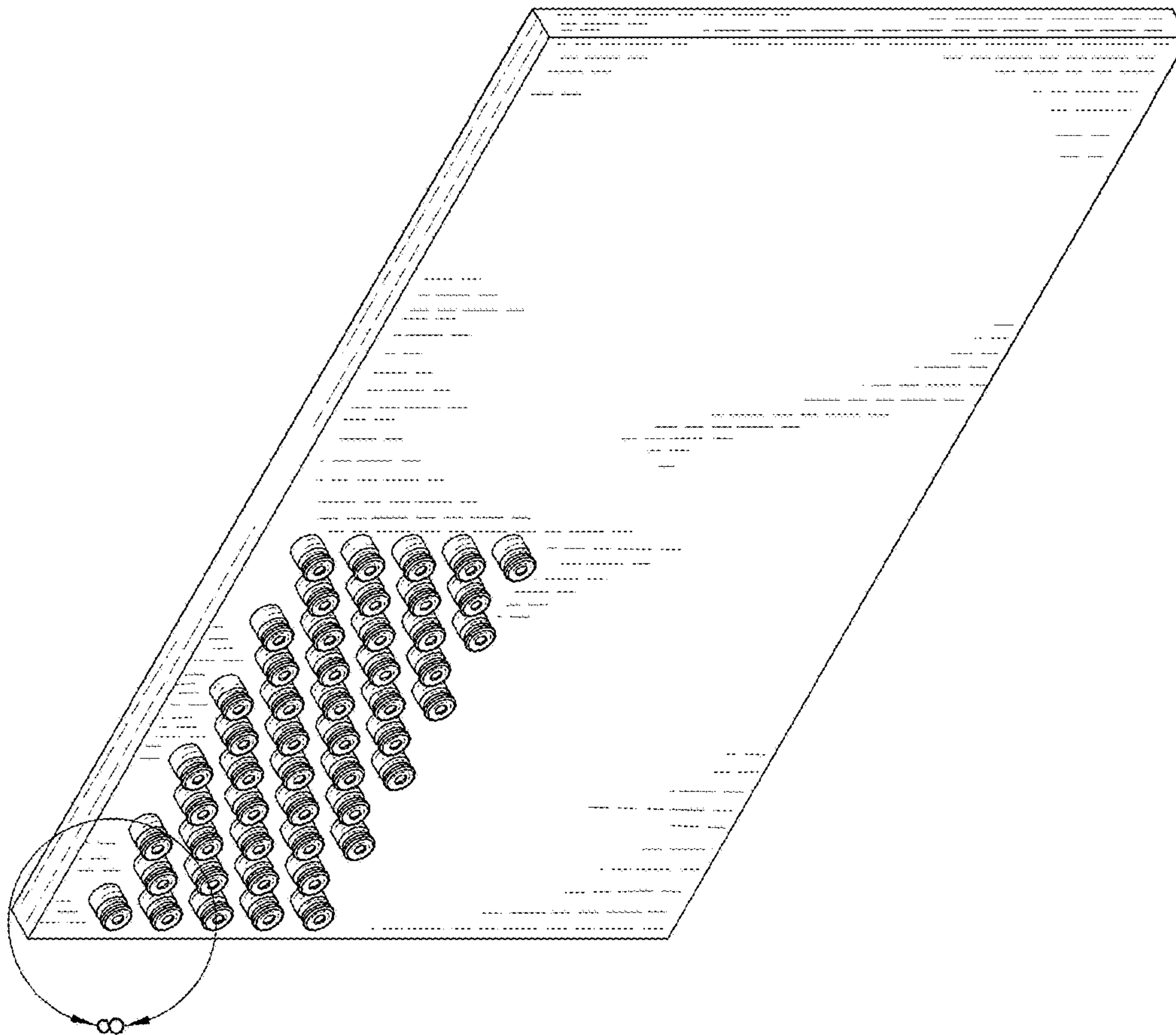


FIG. 1

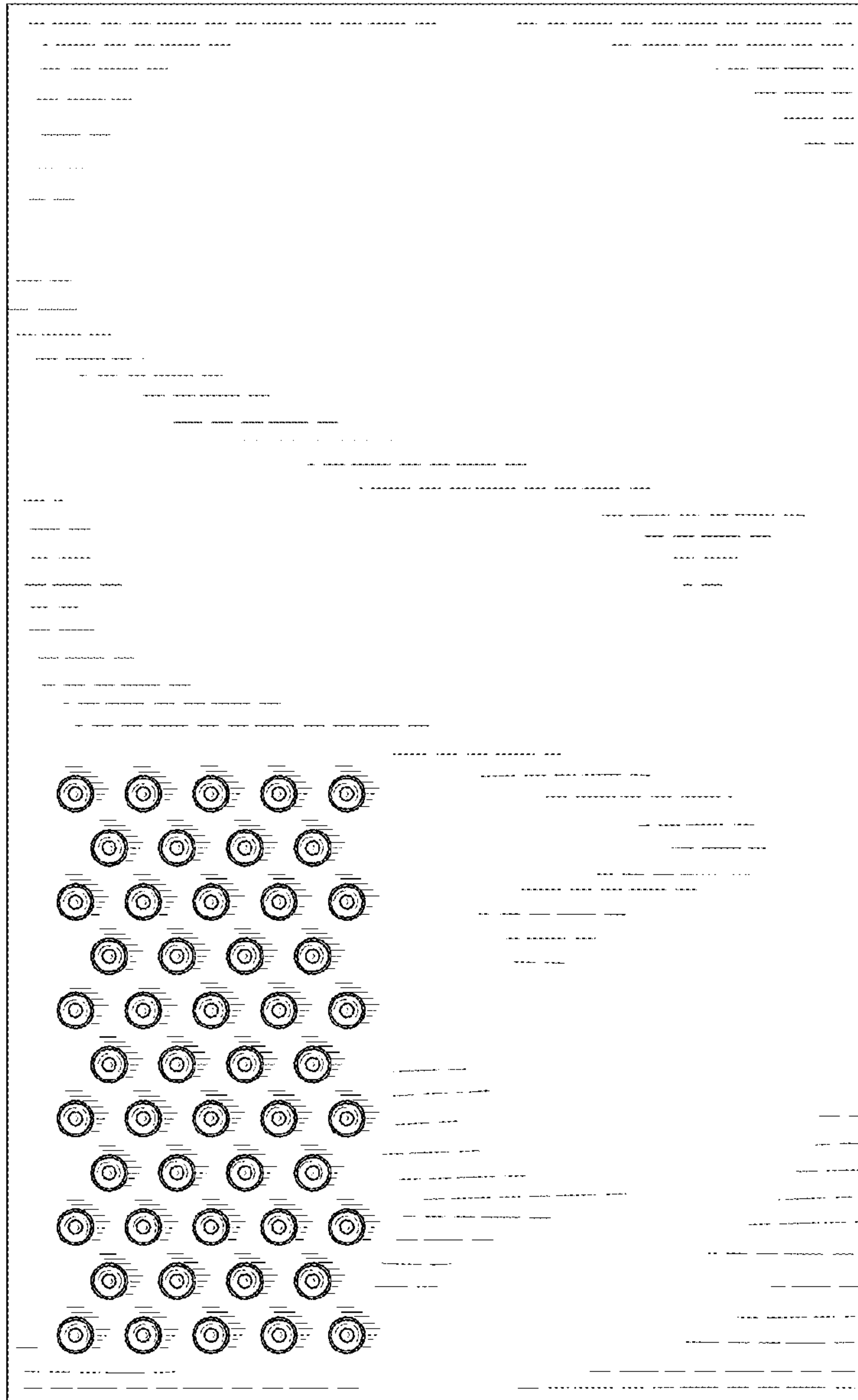


FIG. 2

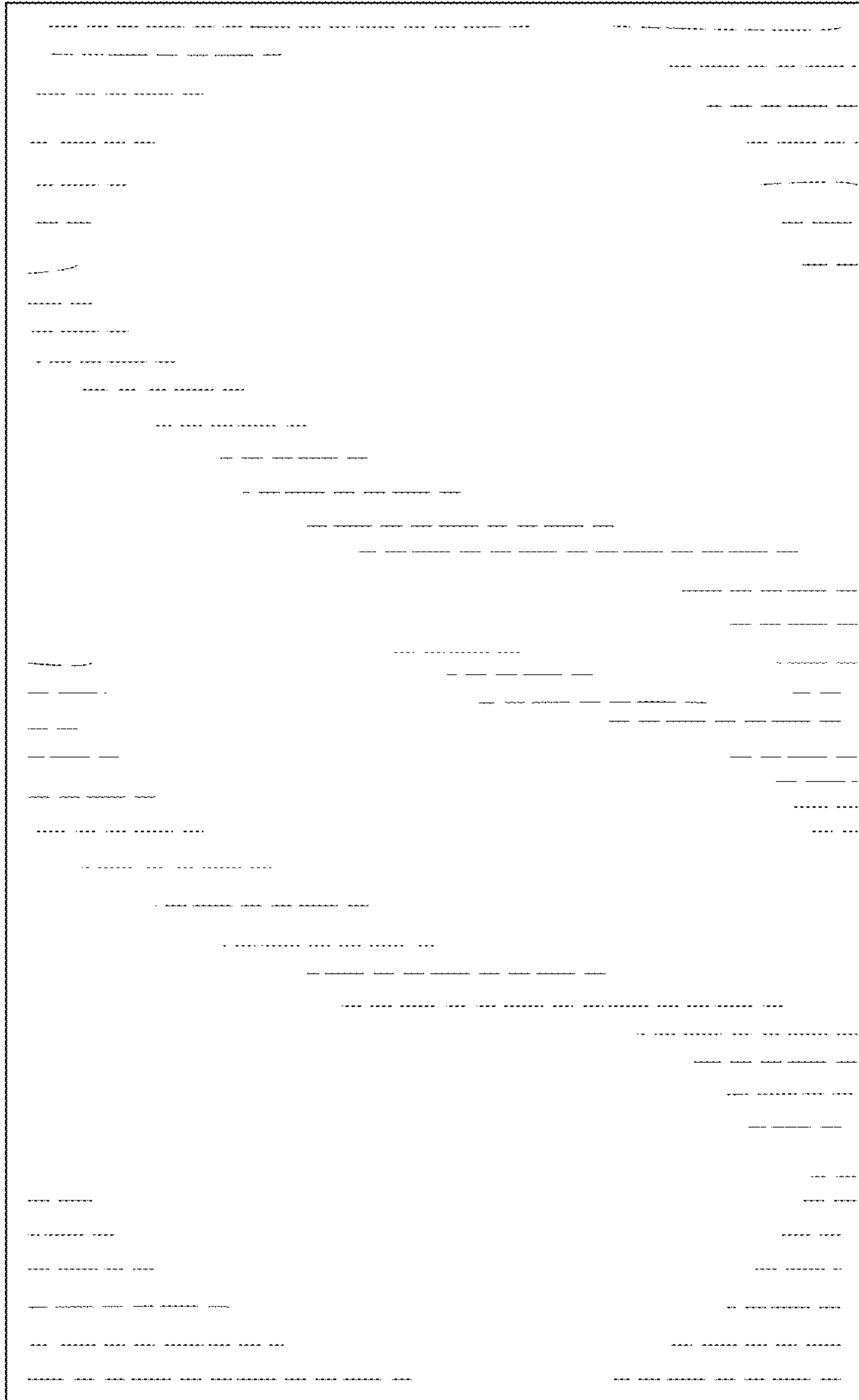


FIG. 3

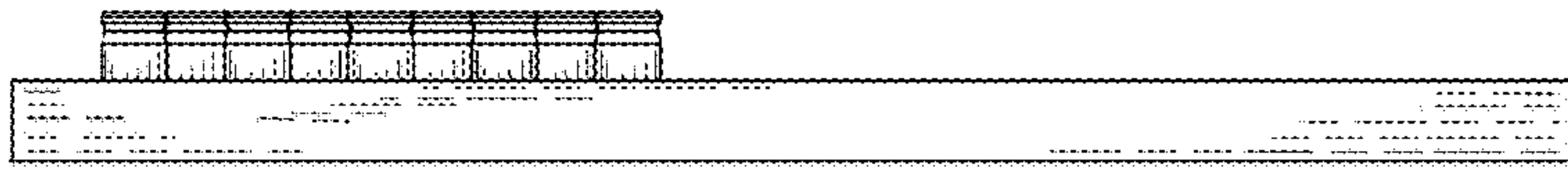


FIG. 4

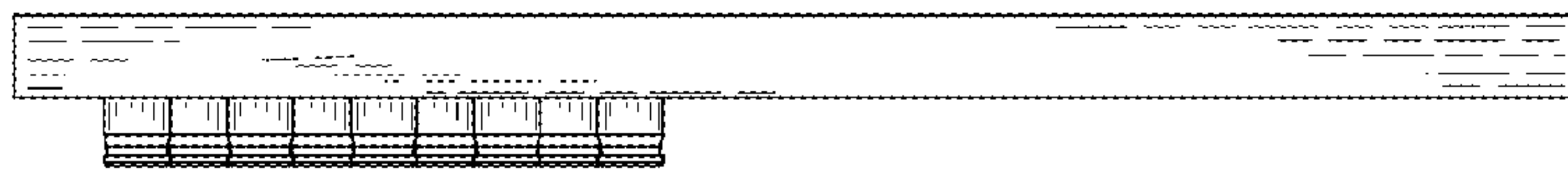


FIG. 5



FIG. 6

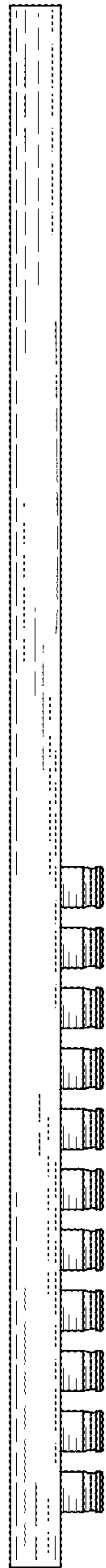


FIG. 7

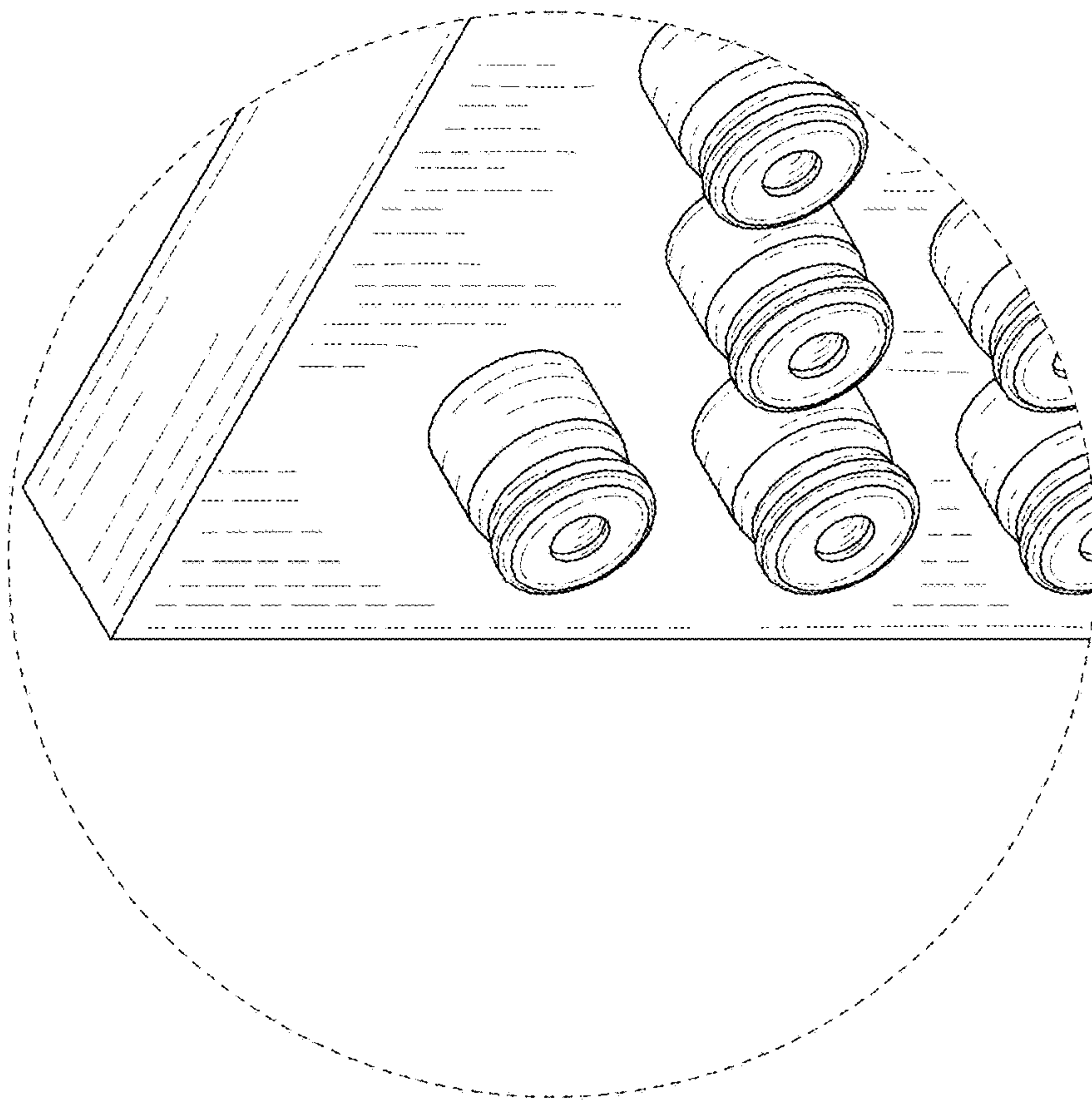


FIG. 8