



US00D858676S

(12) **United States Design Patent**
Xu

(10) **Patent No.:** **US D858,676 S**
(45) **Date of Patent:** **** Sep. 3, 2019**

- (54) **CAMPING TENT**
- (71) Applicant: **Shenzhen Congli Electronics Co., Ltd.**, Shenzhen (CN)
- (72) Inventor: **Genhua Xu**, Shenzhen (CN)
- (**) Term: **15 Years**
- (21) Appl. No.: **29/655,727**
- (22) Filed: **Jul. 6, 2018**
- (51) **LOC (12) Cl.** **21-04**
- (52) **U.S. Cl.**
USPC **D21/834**
- (58) **Field of Classification Search**
USPC D21/834-840
CPC E04H 15/00; E04H 15/34; E04H 15/36;
E04H 15/40; E04H 15/405; E04H 15/42;
E04H 15/425; E04H 15/44; E04H 15/52
See application file for complete search history.

- 5,195,551 A * 3/1993 Ju E04H 15/425
135/126
- 5,666,986 A * 9/1997 Fox E04H 15/42
135/135
- 5,871,026 A * 2/1999 Lin E04H 15/28
135/120.3
- D725,211 S * 3/2015 Lah D21/834
- D778,382 S * 2/2017 Weber D21/834
- 2018/0223559 A1* 8/2018 Lim E04H 15/42

* cited by examiner

Primary Examiner — Cynthia M. Chin

(57) **CLAIM**

The ornamental design for a camping tent, as shown and described.

DESCRIPTION

FIG. 1 is a first perspective view of a camping tent showing the claimed new design;
 FIG. 2 is a second perspective view thereof;
 FIG. 3 is a front elevational view thereof;
 FIG. 4 is a rear elevational view thereof;
 FIG. 5 is a left side elevational view thereof;
 FIG. 6 is a right side elevational view thereof;
 FIG. 7 is a top plane view thereof;
 FIG. 8 is a bottom plane view thereof; and,
 FIG. 9 is a perspective view thereof with the front flap in an open position.
 The broken lines are for the purpose of illustrating portions of the article that form no part of the claimed design.

1 Claim, 9 Drawing Sheets

(56) **References Cited**

U.S. PATENT DOCUMENTS

- 4,750,509 A * 6/1988 Kim E04H 15/36
135/135
- 4,876,829 A * 10/1989 Mattick E04H 15/20
52/2.18
- 5,002,083 A * 3/1991 Kim E04H 15/425
135/119



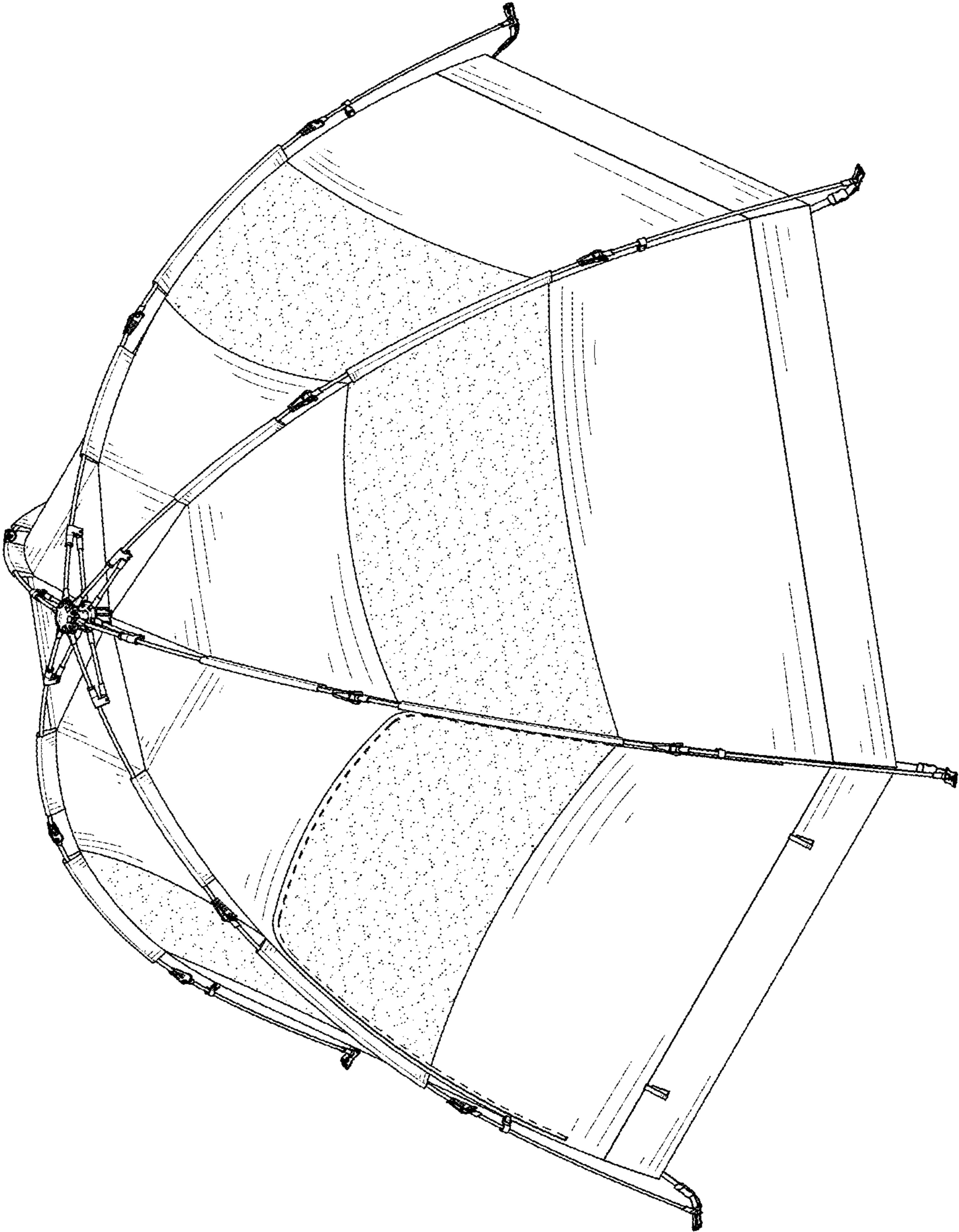


FIG. 1

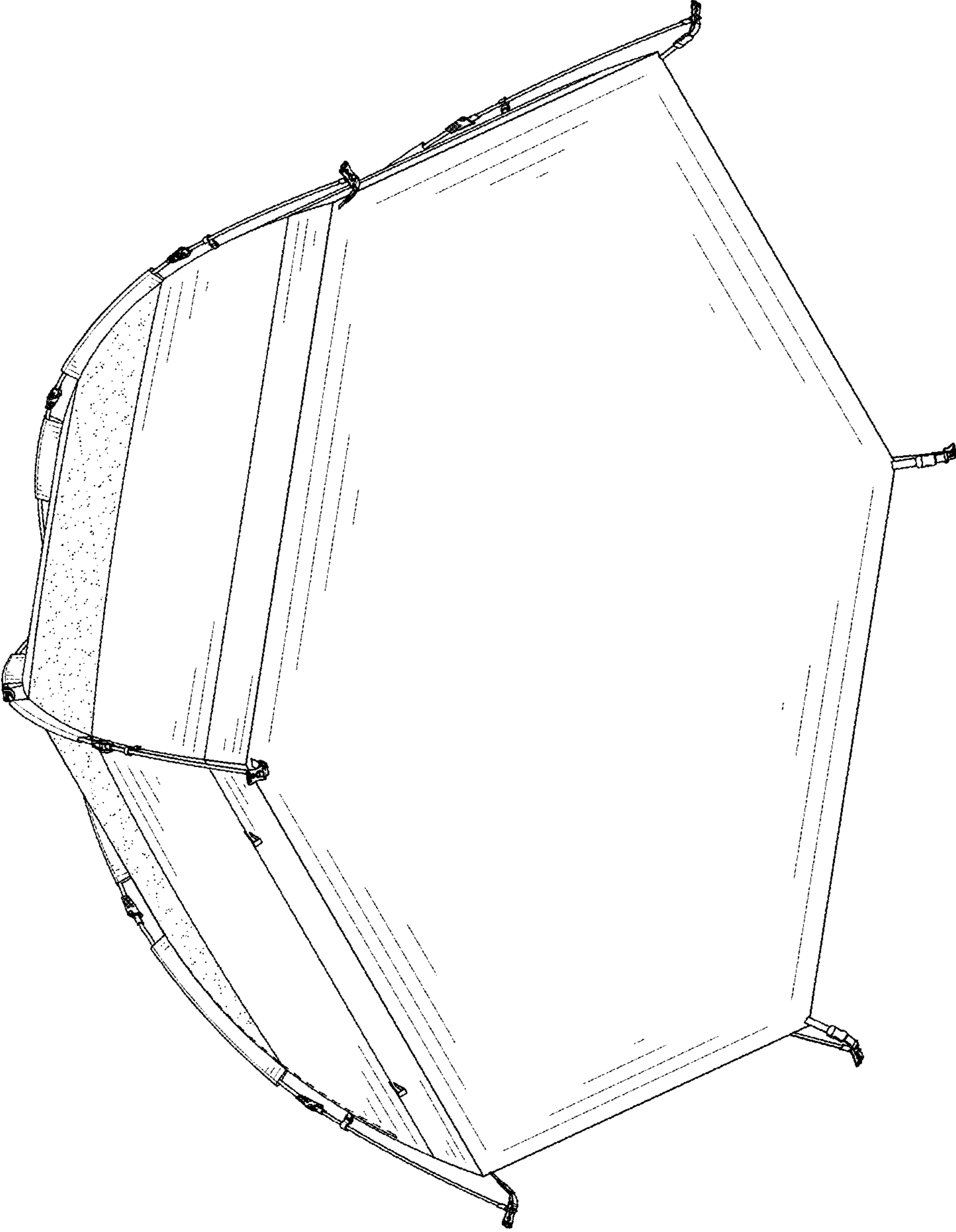


FIG. 2

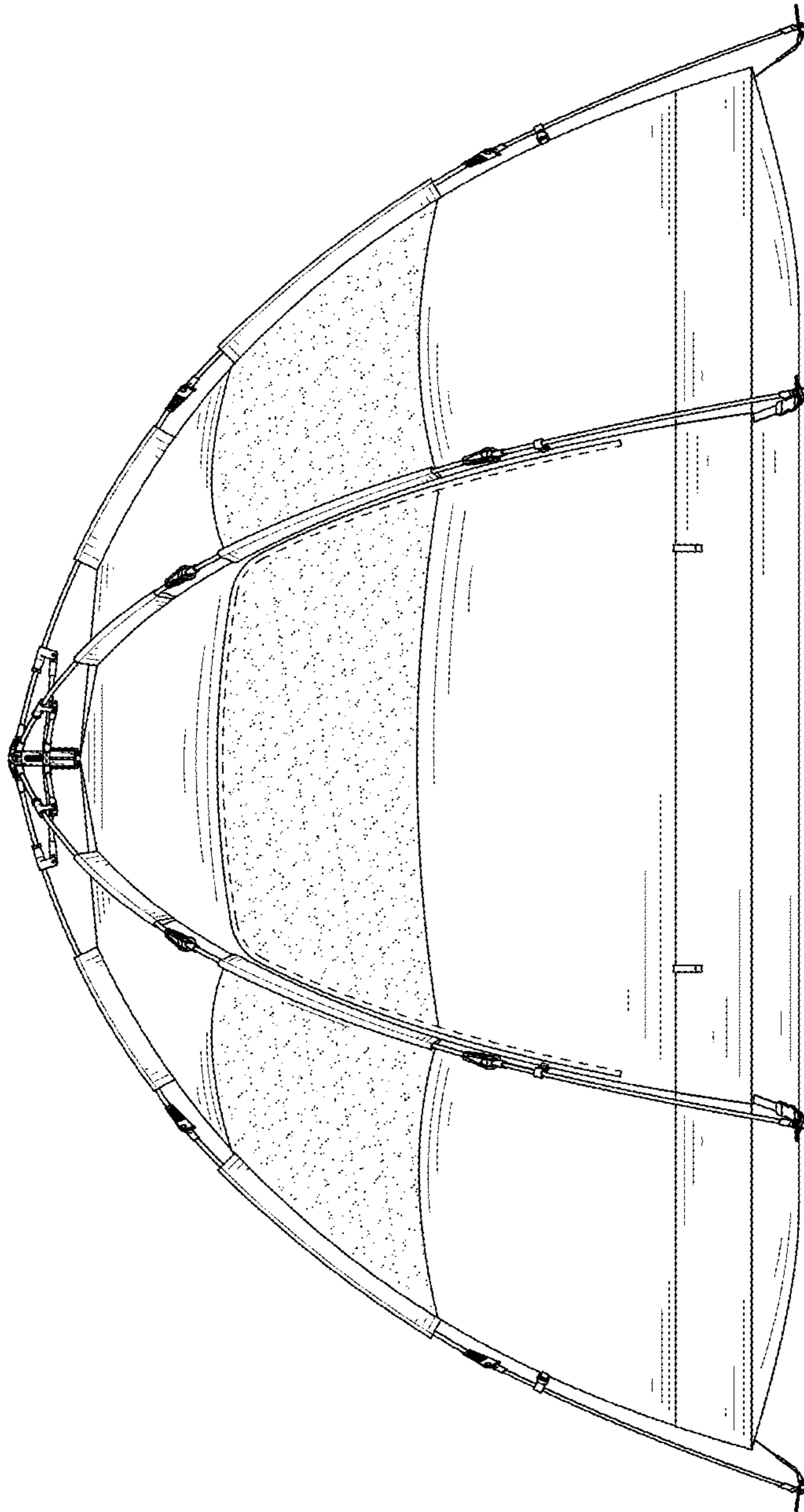


FIG. 3

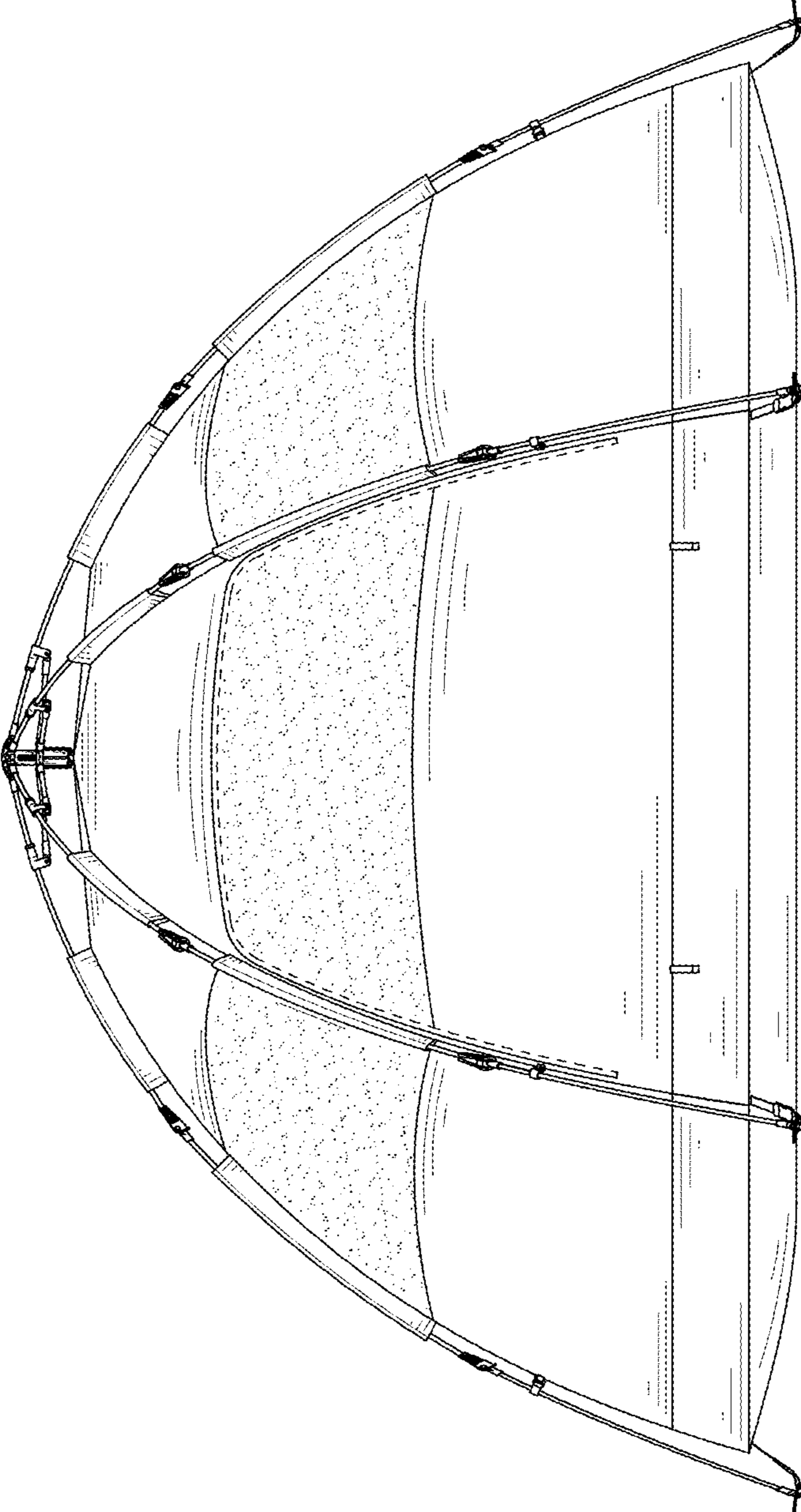


FIG. 4

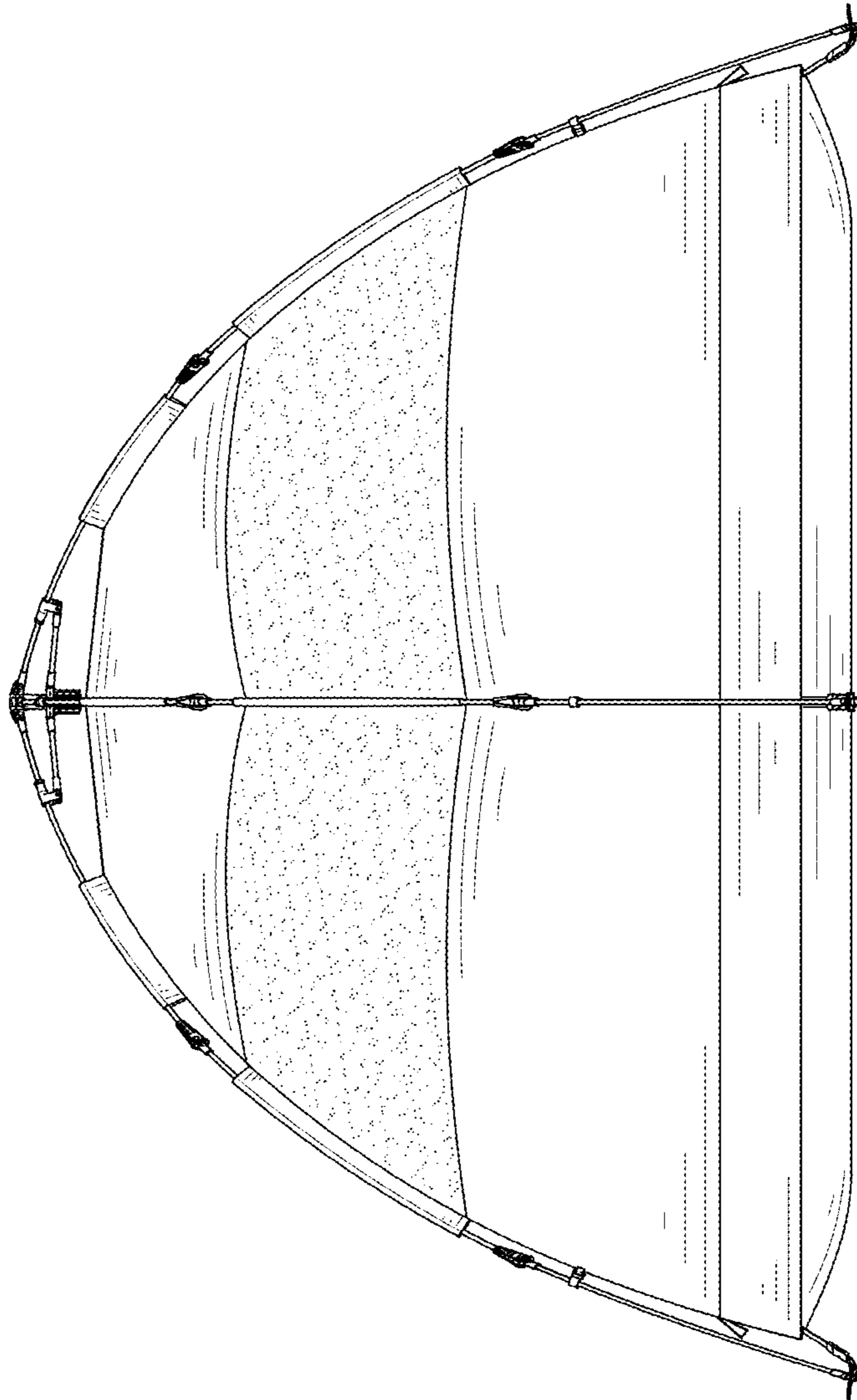


FIG. 5

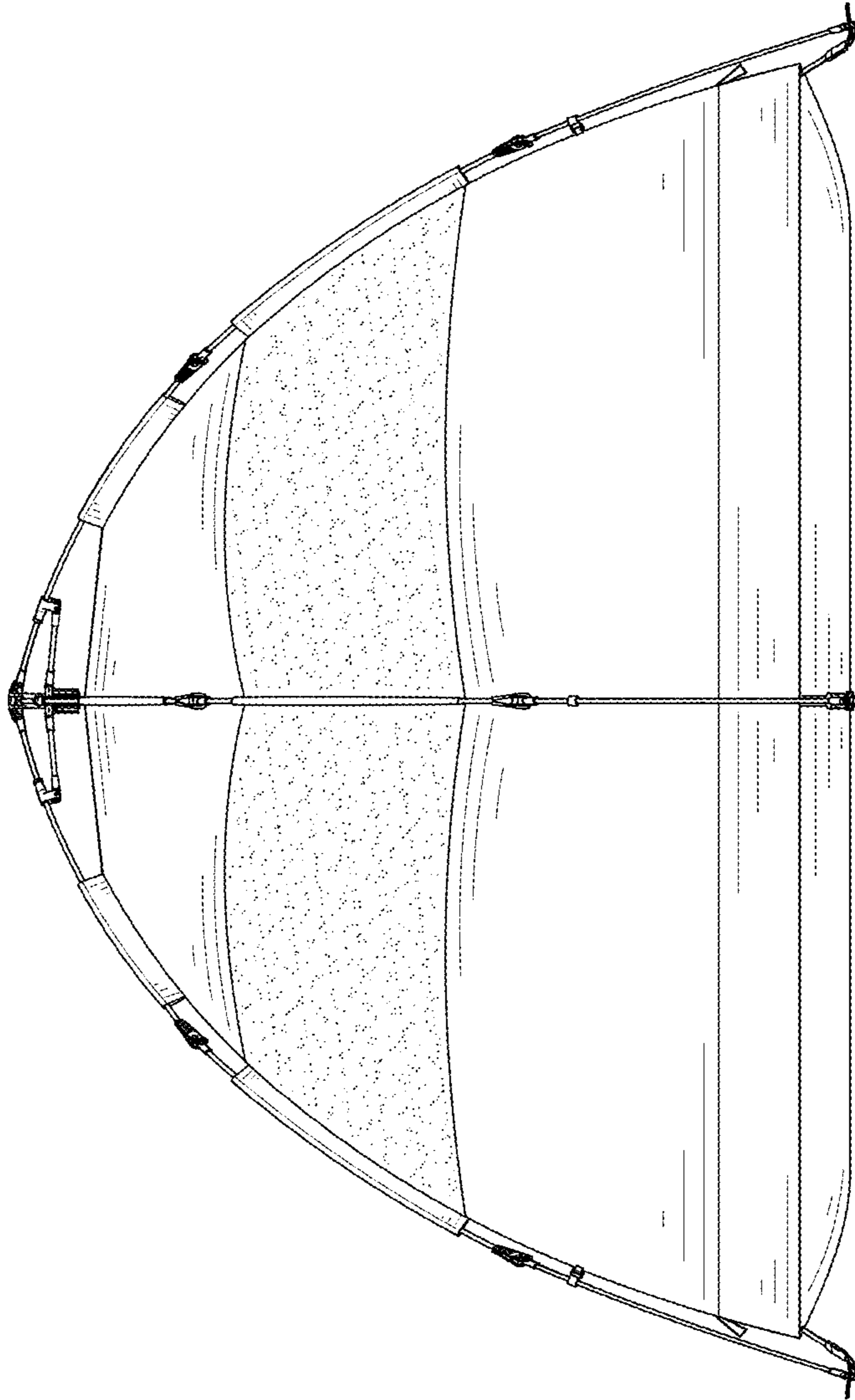


FIG. 6

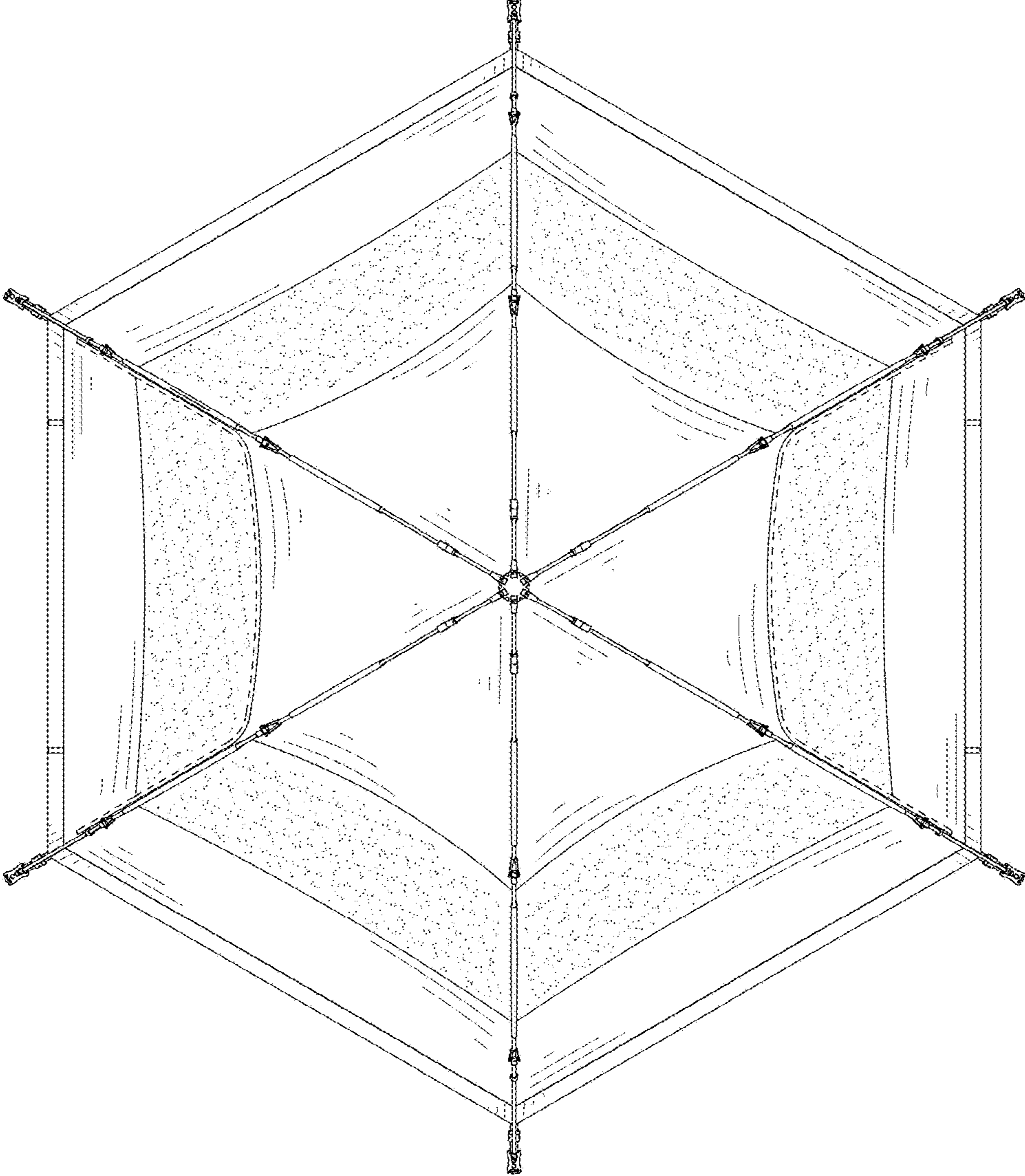


FIG. 7

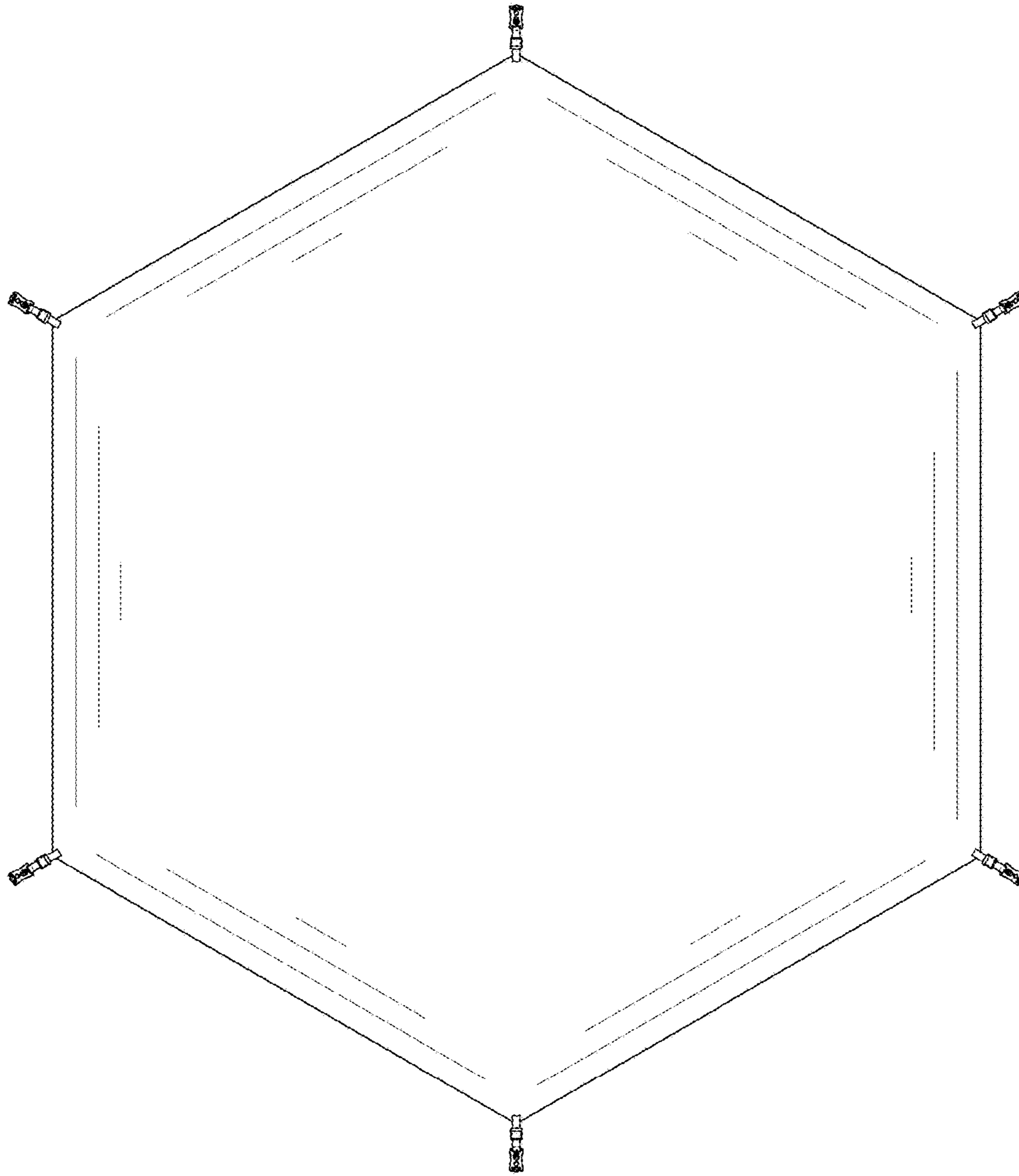


FIG. 8

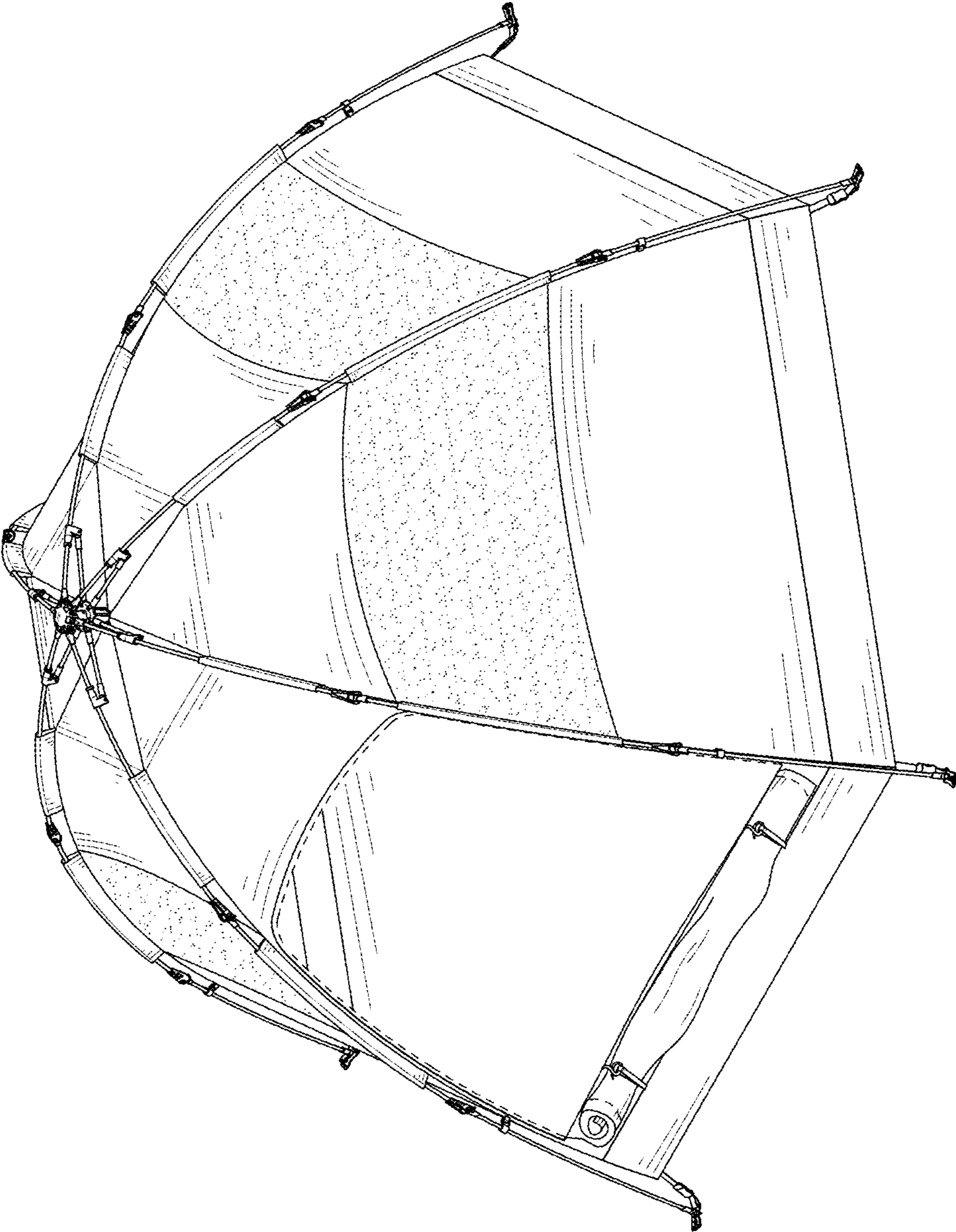


FIG. 9