



US00D858675S

(12) **United States Design Patent**
Cheng

(10) **Patent No.:** **US D858,675 S**

(45) **Date of Patent:** **** Sep. 3, 2019**

(54) **TENT**

(71) Applicant: **Huangshan City Huilingyang Outdoor Products Co.**

(72) Inventor: **Zhengrui Cheng**, Huangshan (CN)

(**) Term: **15 Years**

(21) Appl. No.: **29/654,624**

(22) Filed: **Jun. 26, 2018**

(51) **LOC (12) Cl.** **21-04**

(52) **U.S. Cl.**
USPC **D21/834**

(58) **Field of Classification Search**
USPC D21/834-840
CPC E04H 15/00; E04H 15/34; E04H 15/36;
E04H 15/40; E04H 15/405; E04H 15/42;
E04H 15/425; E04H 15/44; E04H 15/52
See application file for complete search history.

(56) **References Cited**

U.S. PATENT DOCUMENTS

- D327,524 S * 6/1992 Kim D21/834
- 5,676,168 A * 10/1997 Price E04H 15/40
135/125
- D534,615 S * 1/2007 van Aalst D21/834
- D630,286 S * 1/2011 Bell D21/834

- D630,287 S * 1/2011 Bell D21/834
- D823,968 S * 7/2018 Xiao D21/837
- D831,773 S * 10/2018 Huang D21/834
- 2007/0095377 A1* 5/2007 Poulson E04H 15/42
135/124
- 2007/0251564 A1* 11/2007 Smith E04H 15/425
135/156
- 2014/0190540 A1* 7/2014 Herpin E04H 15/40
135/115

* cited by examiner

Primary Examiner — Cynthia M. Chin

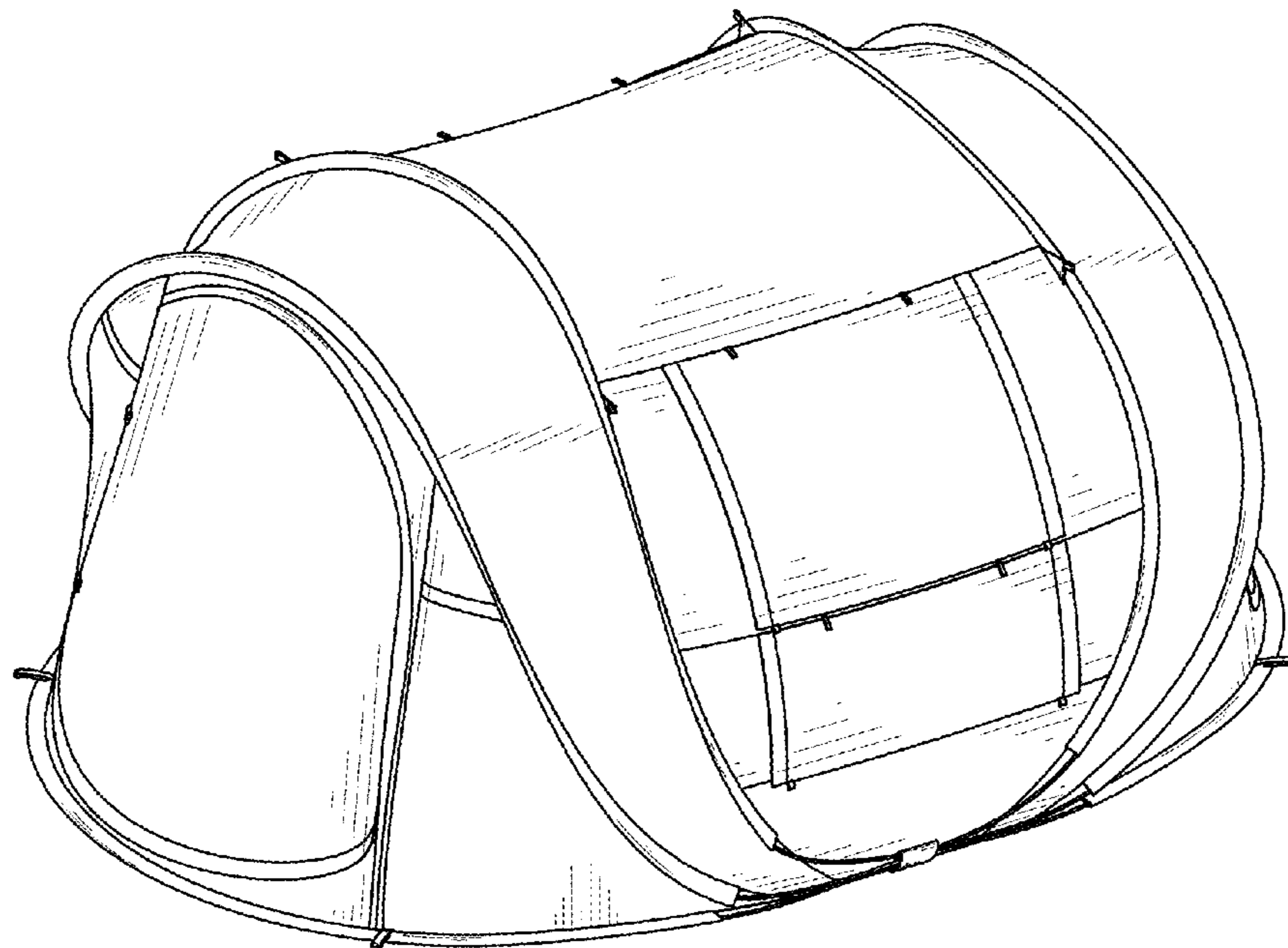
(57) **CLAIM**

The ornamental design for a tent, as shown and described.

DESCRIPTION

FIG. 1 is a first perspective view of a tent showing the claimed new design;
 FIG. 2 is a front elevational view thereof;
 FIG. 3 is a rear elevational view thereof;
 FIG. 4 is a left side elevational view thereof;
 FIG. 5 is a right side elevational view thereof;
 FIG. 6 is a top plan view thereof;
 FIG. 7 is a bottom plan view thereof; and,
 FIG. 8 is a perspective view thereof with the front flap in an open position.
 The broken lines are for the purpose of illustrating portions of the article that form no part of the claimed design.

1 Claim, 8 Drawing Sheets



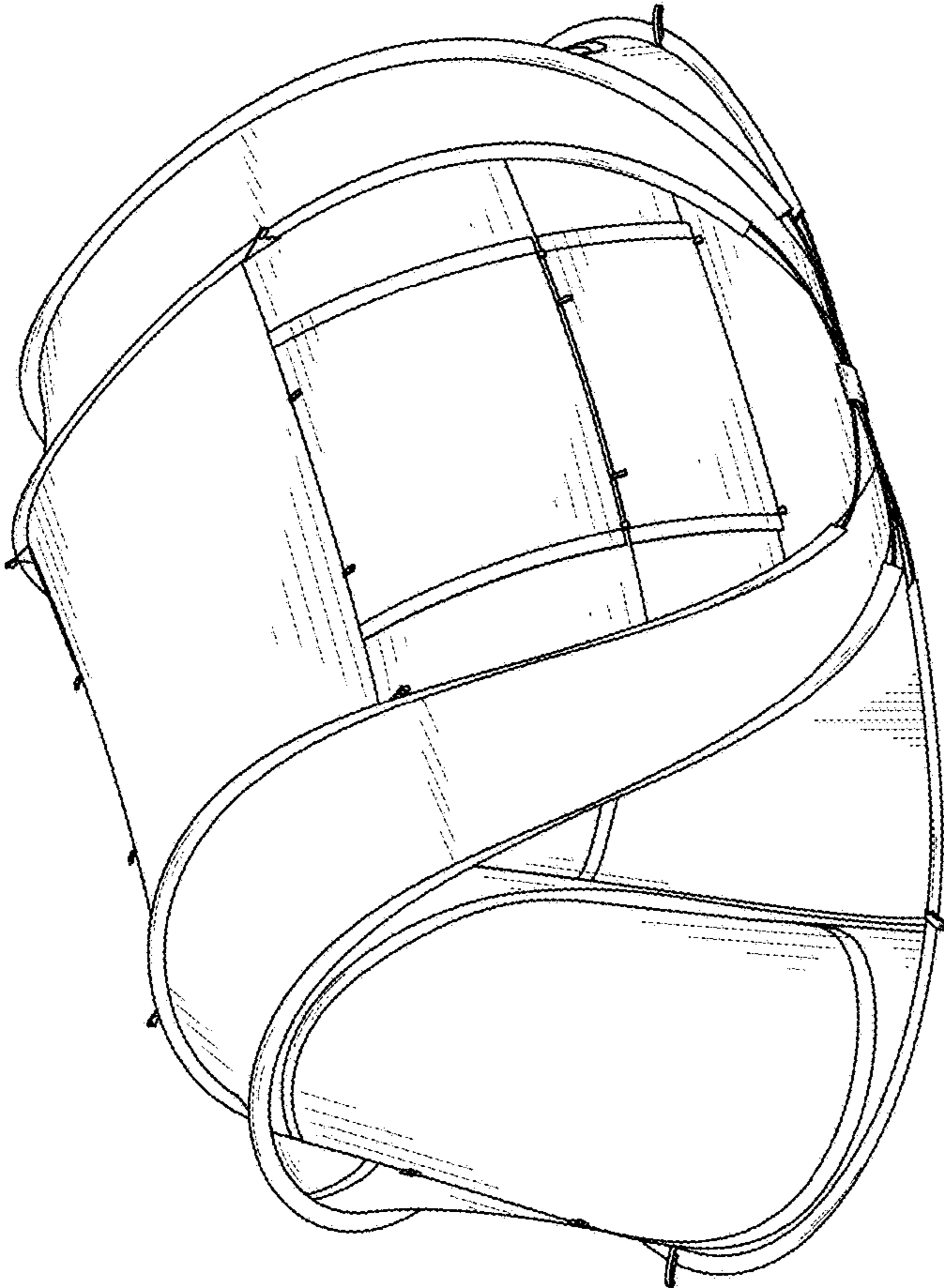


FIG. 1

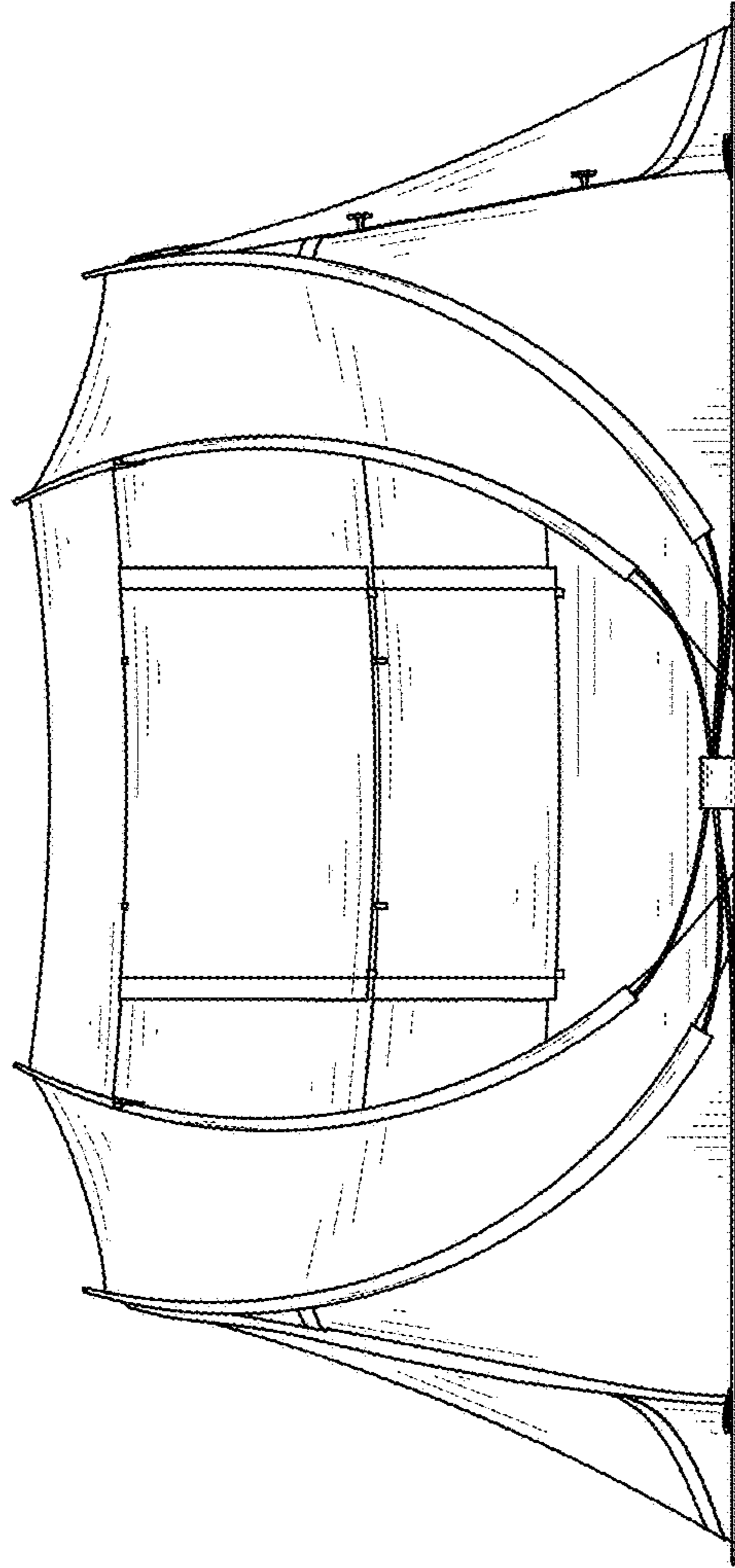


FIG. 2

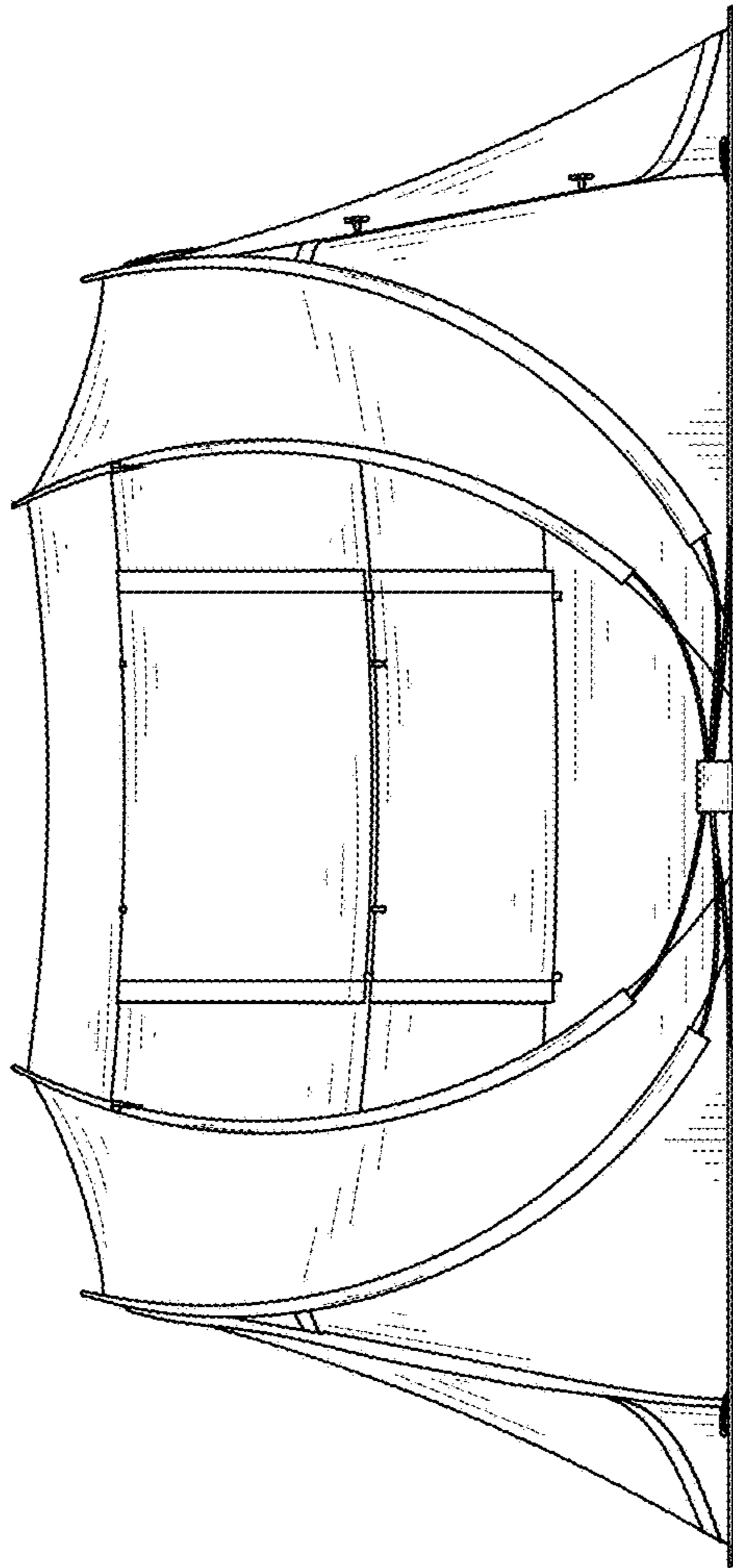


FIG. 3

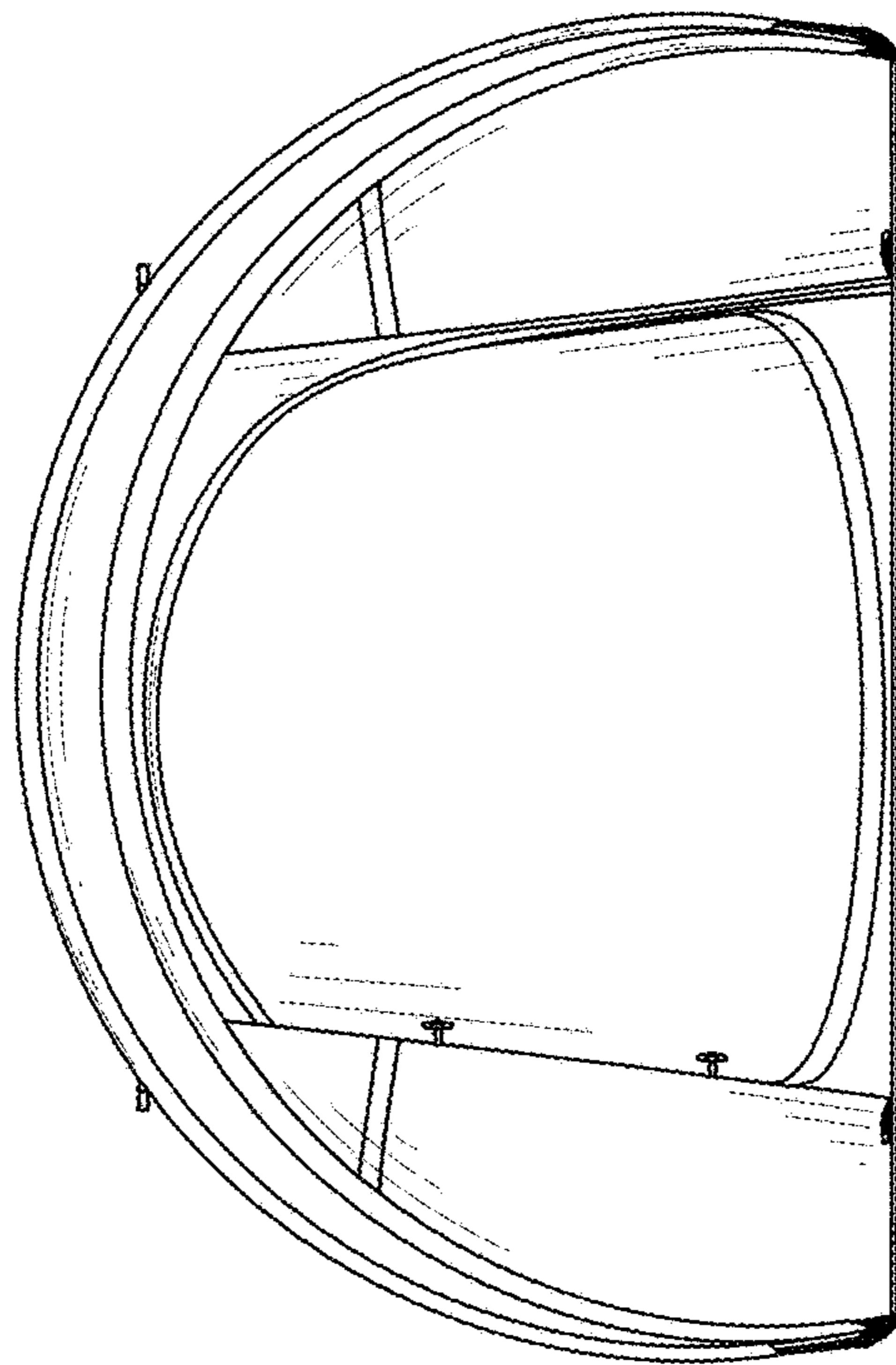


FIG. 4

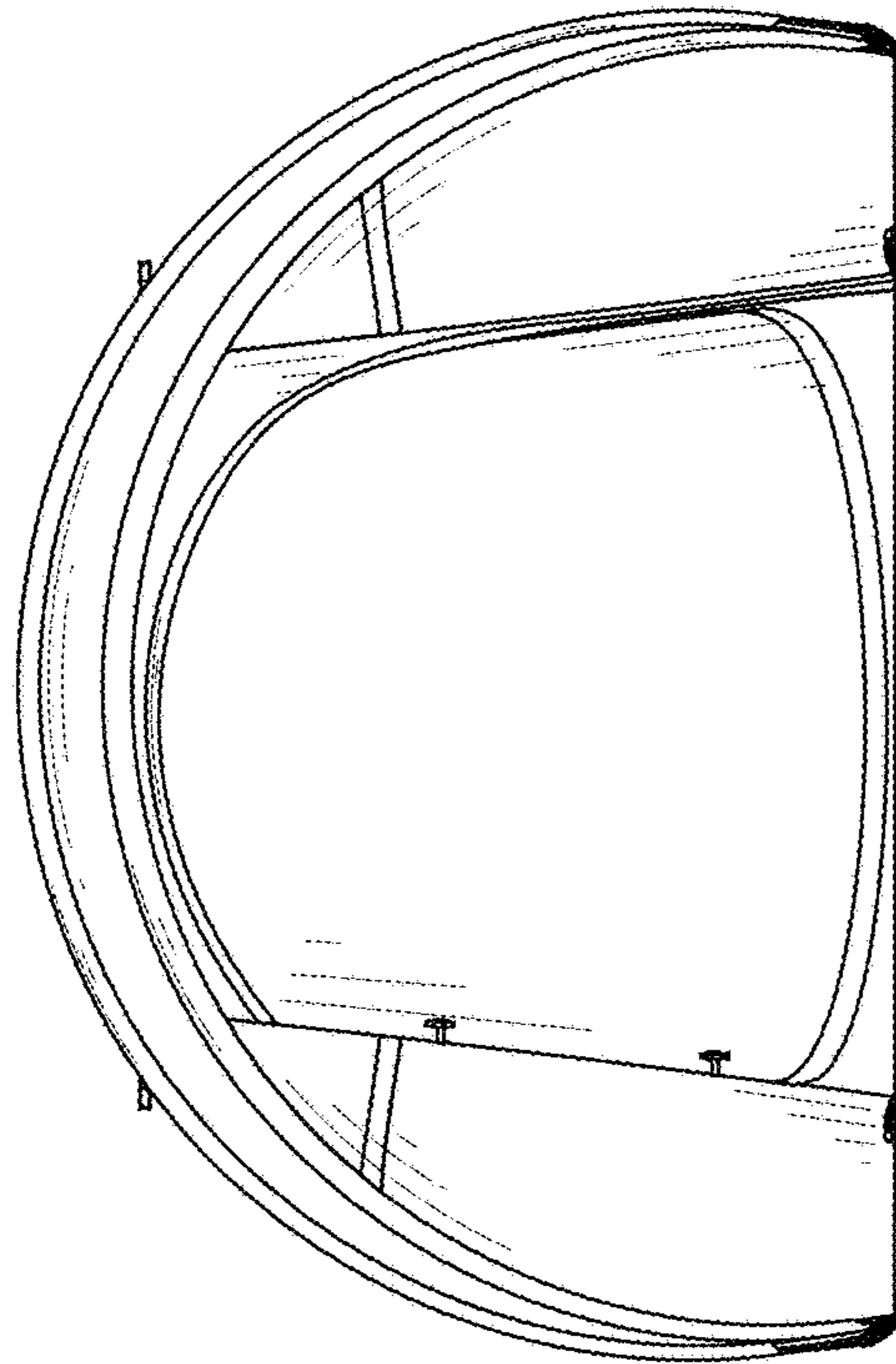


FIG. 5

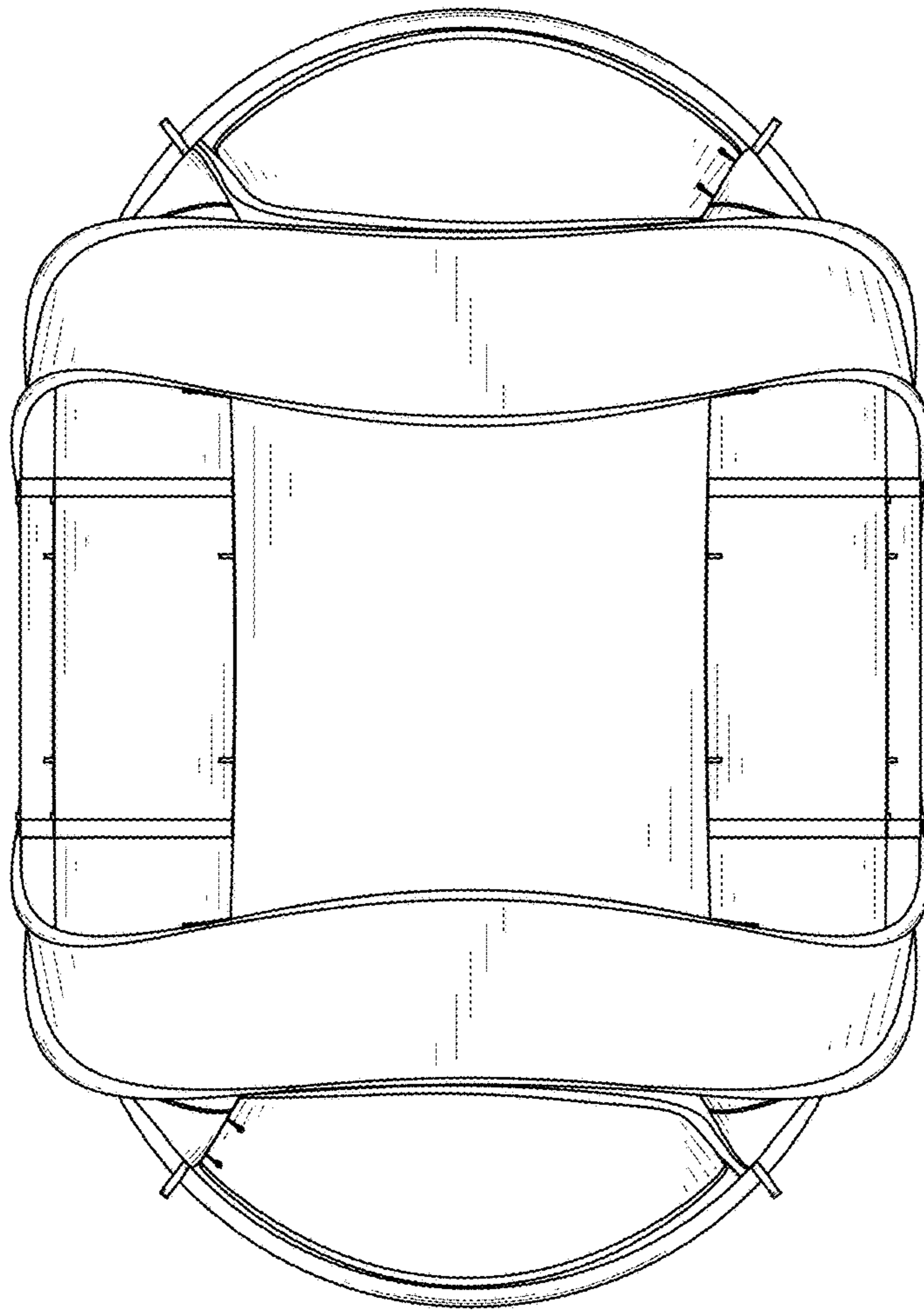


FIG. 6

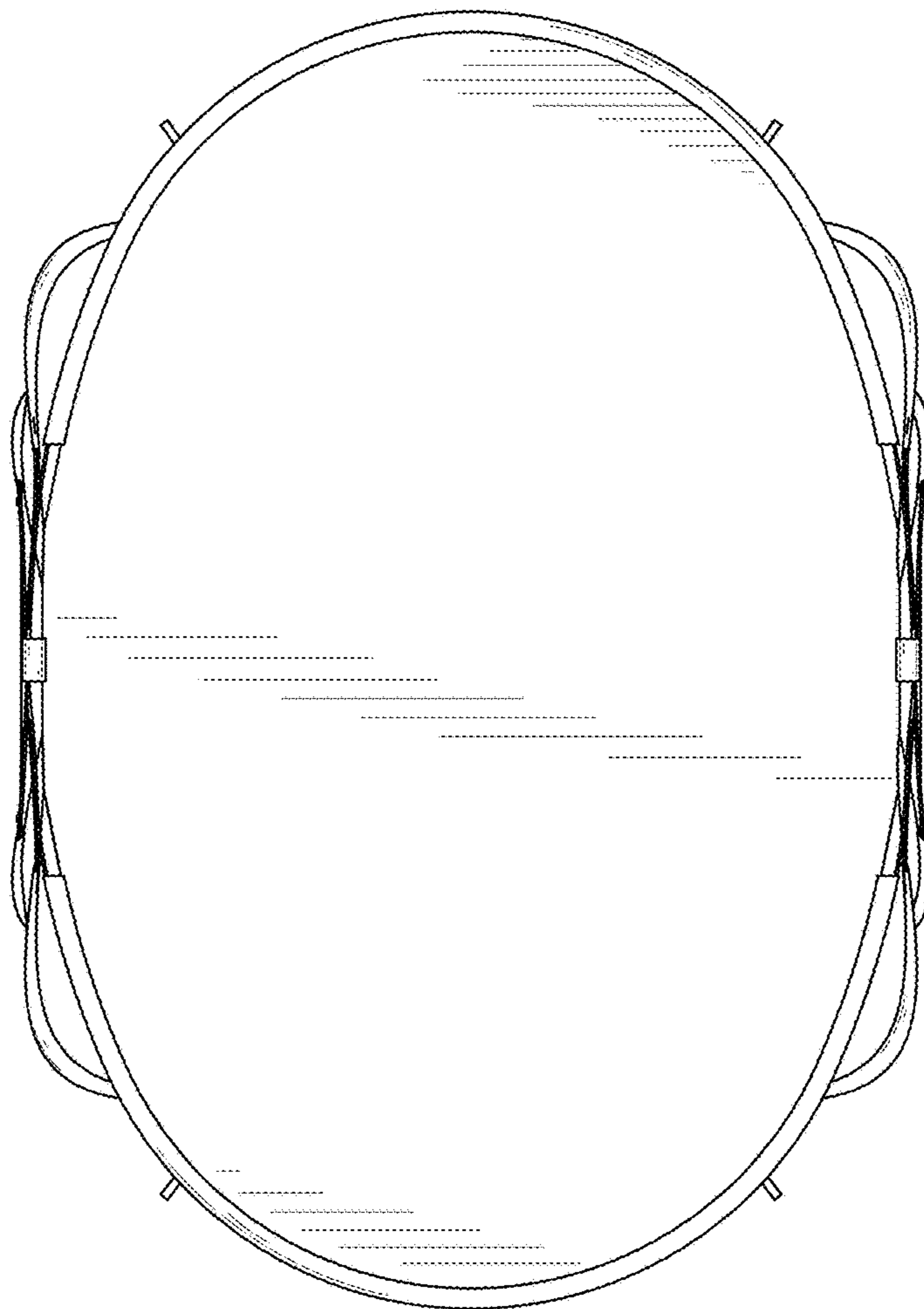


FIG. 7

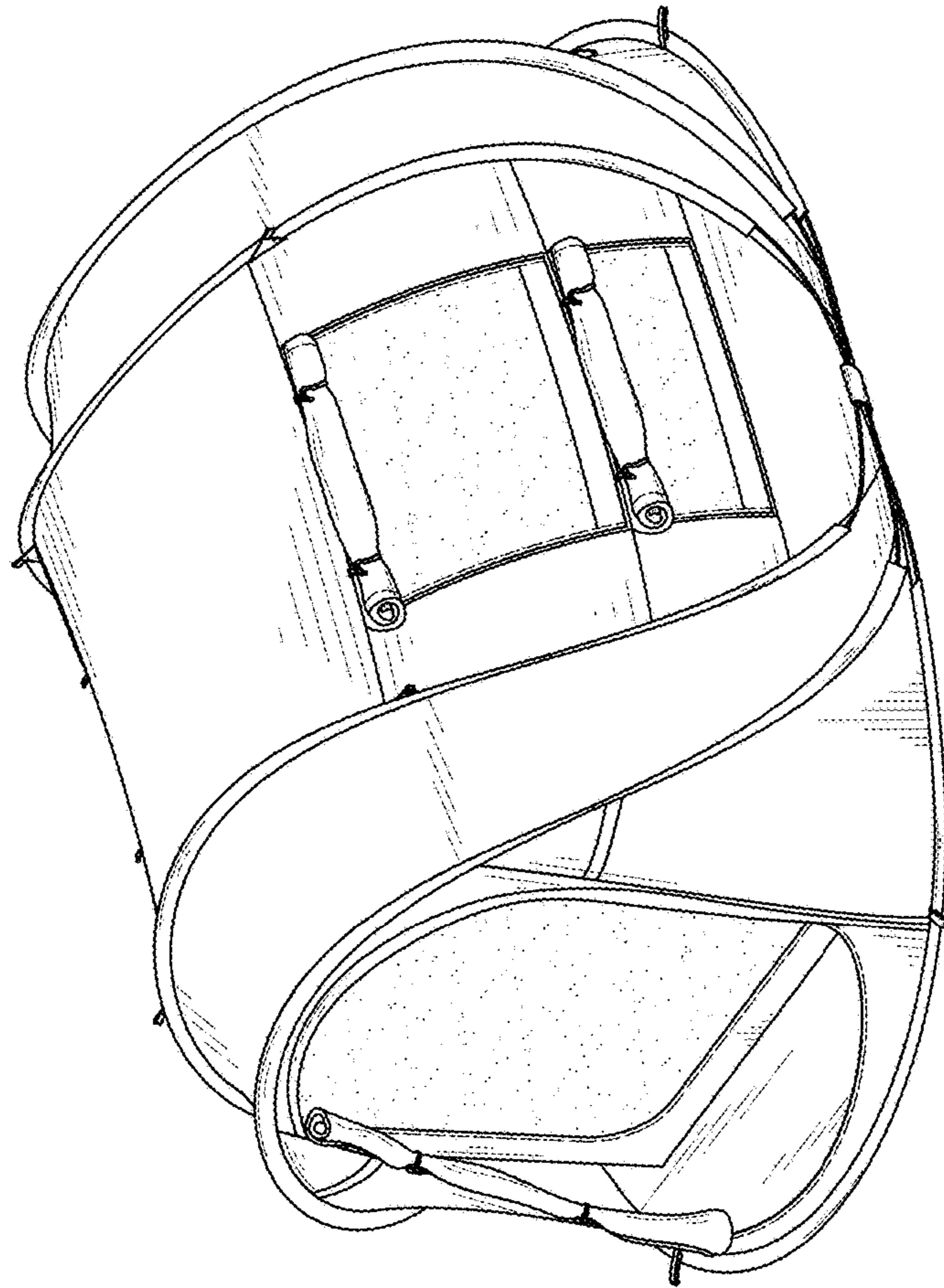


FIG. 8