



US00D858672S

(12) **United States Design Patent**
Barker et al.

(10) **Patent No.:** **US D858,672 S**

(45) **Date of Patent:** **** Sep. 3, 2019**

(54) **GOLF CLUB HEAD**

(71) Applicant: **Taylor Made Golf Company, Inc.**,
Carlsbad, CA (US)

(72) Inventors: **Peter Barker**, Escondido, CA (US);
Brook Li, Carlsbad, CA (US);
Giancarlo Bruschi, San Diego, CA
(US); **Paul M. Demkowski**, Cardiff,
CA (US); **Bill Price**, Santa Ana, CA
(US)

(73) Assignee: **Taylor Made Golf Company, Inc.**,
Carlsbad, CA (US)

(**) Term: **15 Years**

(21) Appl. No.: **29/641,739**

(22) Filed: **Mar. 23, 2018**

(51) **LOC (12) Cl.** **21-02**

(52) **U.S. Cl.**
USPC **D21/759**; D21/747

(58) **Field of Classification Search**
USPC D21/747-751, 759
CPC A63B 53/00; A63B 53/02; A63B 53/04;
A63B 53/047; A63B 53/0475; A63B
2053/0479; A63B 2053/0483; A63B
2053/0445; A63B 60/00; A63B 60/46
See application file for complete search history.

(56) **References Cited**

U.S. PATENT DOCUMENTS

3,020,048 A * 2/1962 Carroll A63B 53/04
473/324
D224,418 S * 7/1972 Lesch D21/750
D419,214 S * 1/2000 Hamm D21/750
D420,079 S * 2/2000 Frazetta D21/747

D427,264 S * 6/2000 Kubica D21/759
D449,866 S * 10/2001 Miller D21/747
D726,265 S * 4/2015 Nicolette D21/747
D805,146 S * 12/2017 Clarke D21/747
D810,850 S * 2/2018 Becktor D21/747
D829,837 S * 10/2018 Wolfe D21/747
D833,548 S * 11/2018 Harrington D21/747

* cited by examiner

Primary Examiner — Mitchell I. Siegel

(74) *Attorney, Agent, or Firm* — Klarquist Sparkman,
LLP

(57) **CLAIM**

We claim the ornamental design for a golf club head, as
shown and described.

DESCRIPTION

FIG. 1 is a perspective view of a golf club head, as viewed
from the front, above and one side, according to one
embodiment.

FIG. 2 is a front elevation view of the golf club head of FIG.
1.

FIG. 3 is a rear elevation view of the golf club head of FIG.
1.

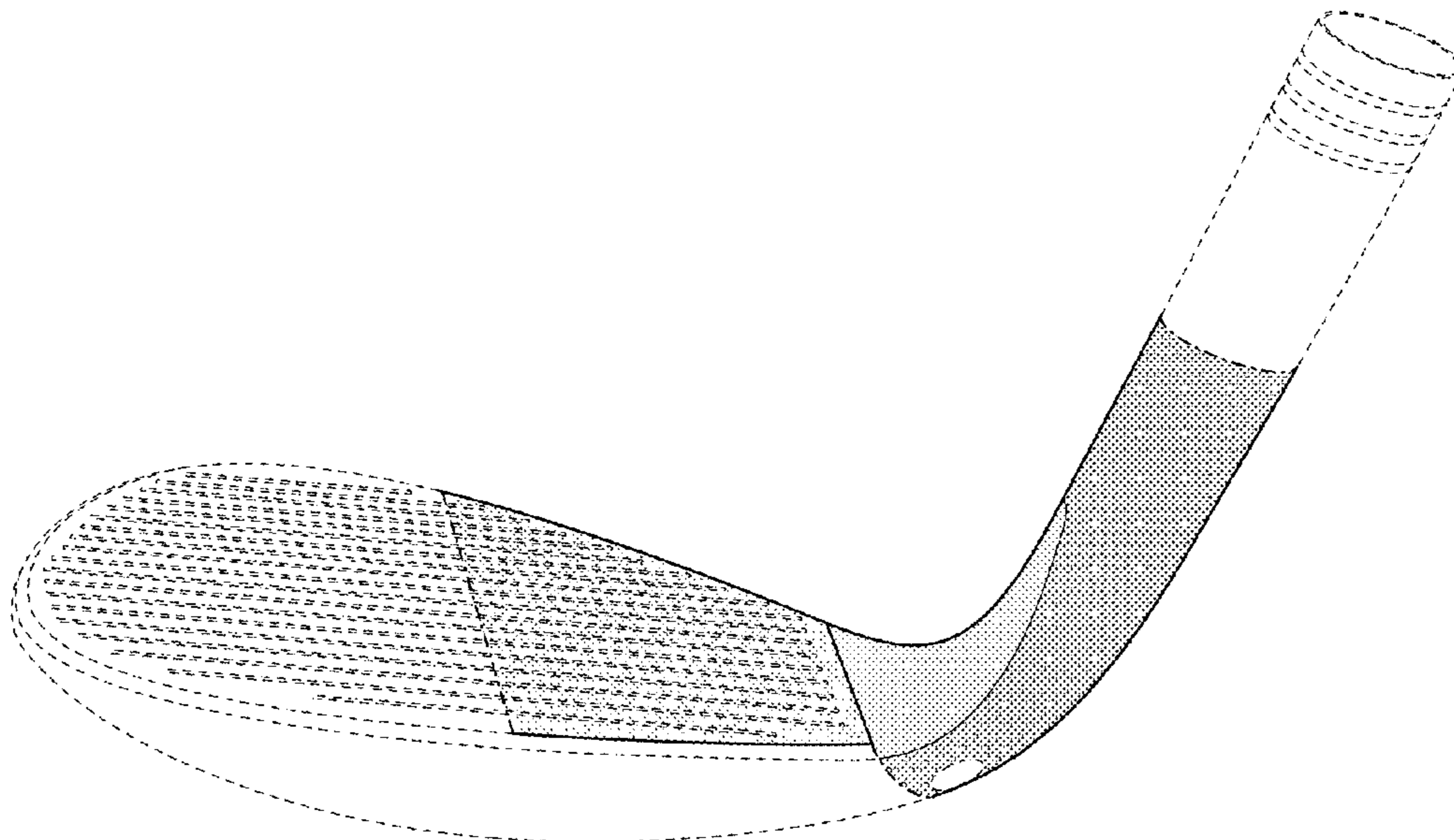
FIG. 4 is a side elevation view of the toe of the golf club
head of FIG. 1.

FIG. 5 is a side elevation view of the heel of the golf club
head of FIG. 1.

FIG. 6 is a top plan view of the golf club head of FIG. 1; and,
FIG. 7 is a bottom plan view of the golf club head of FIG.
1.

The dashed lines in the drawings are for purposes of
illustrating environmental structure as well as portions of the
design that form no part of the claimed design. The stippling
areas are shown to indicate contrasting surfaces of different
color.

1 Claim, 4 Drawing Sheets



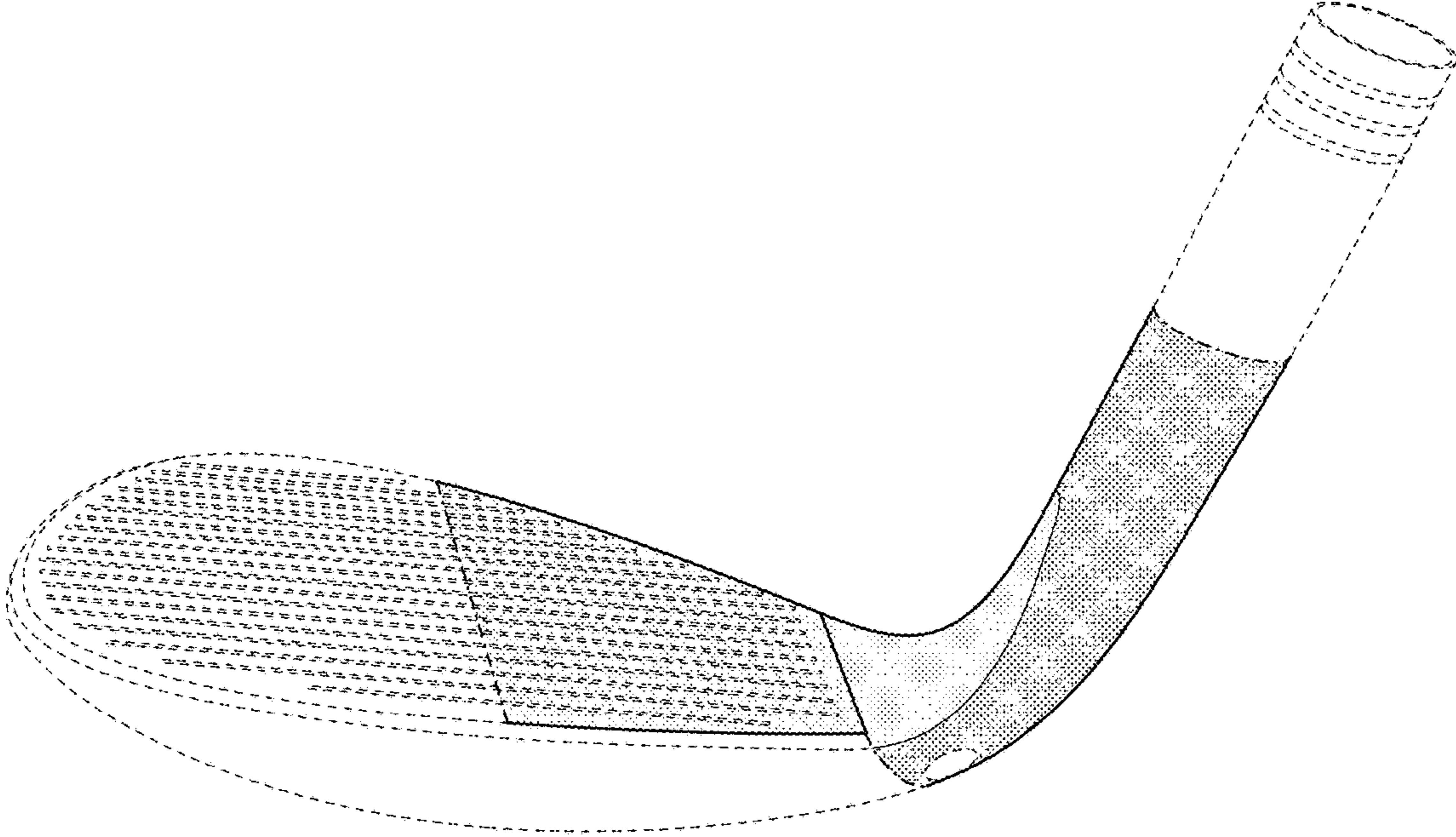


FIG. 1

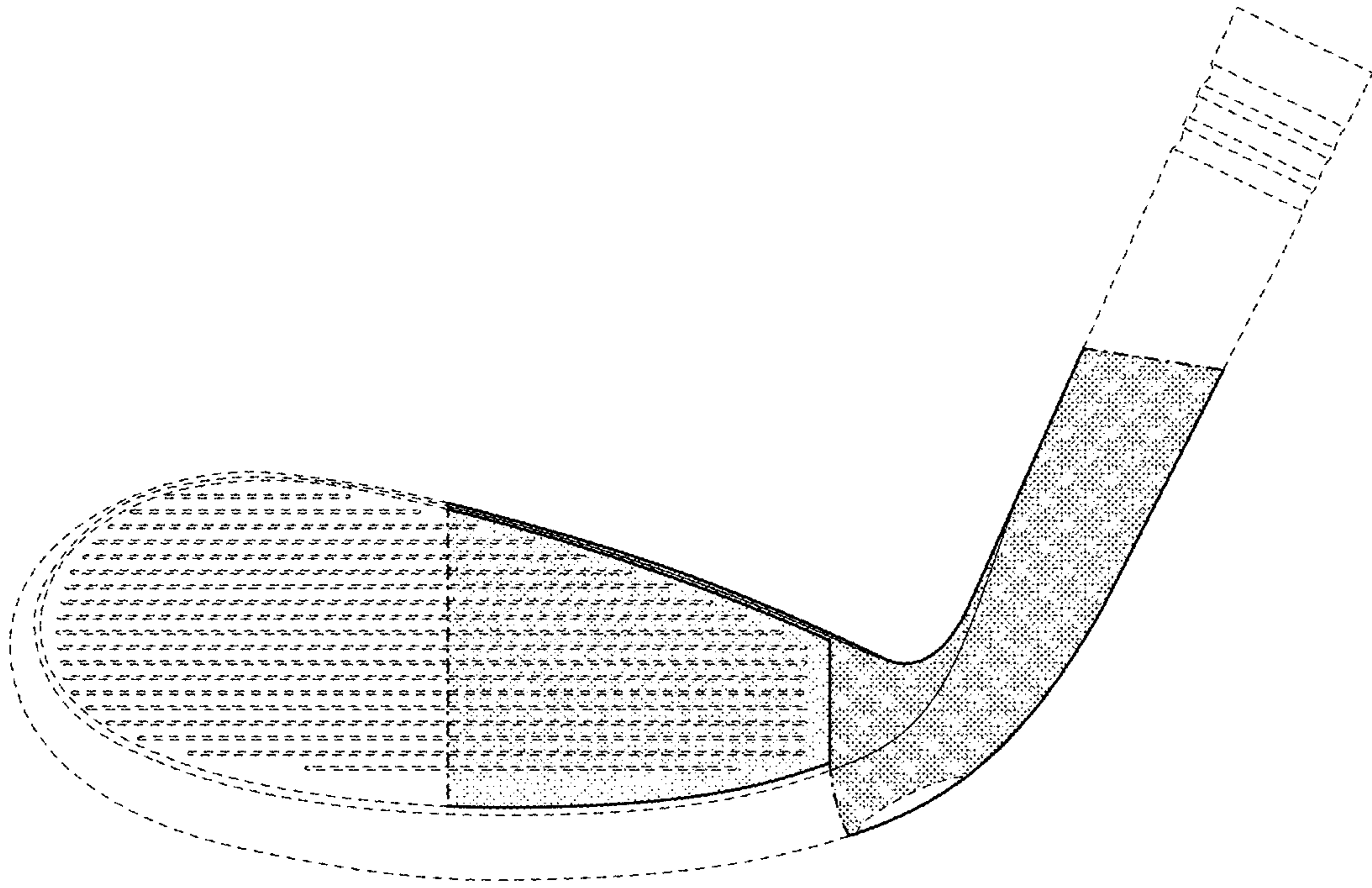


FIG. 2

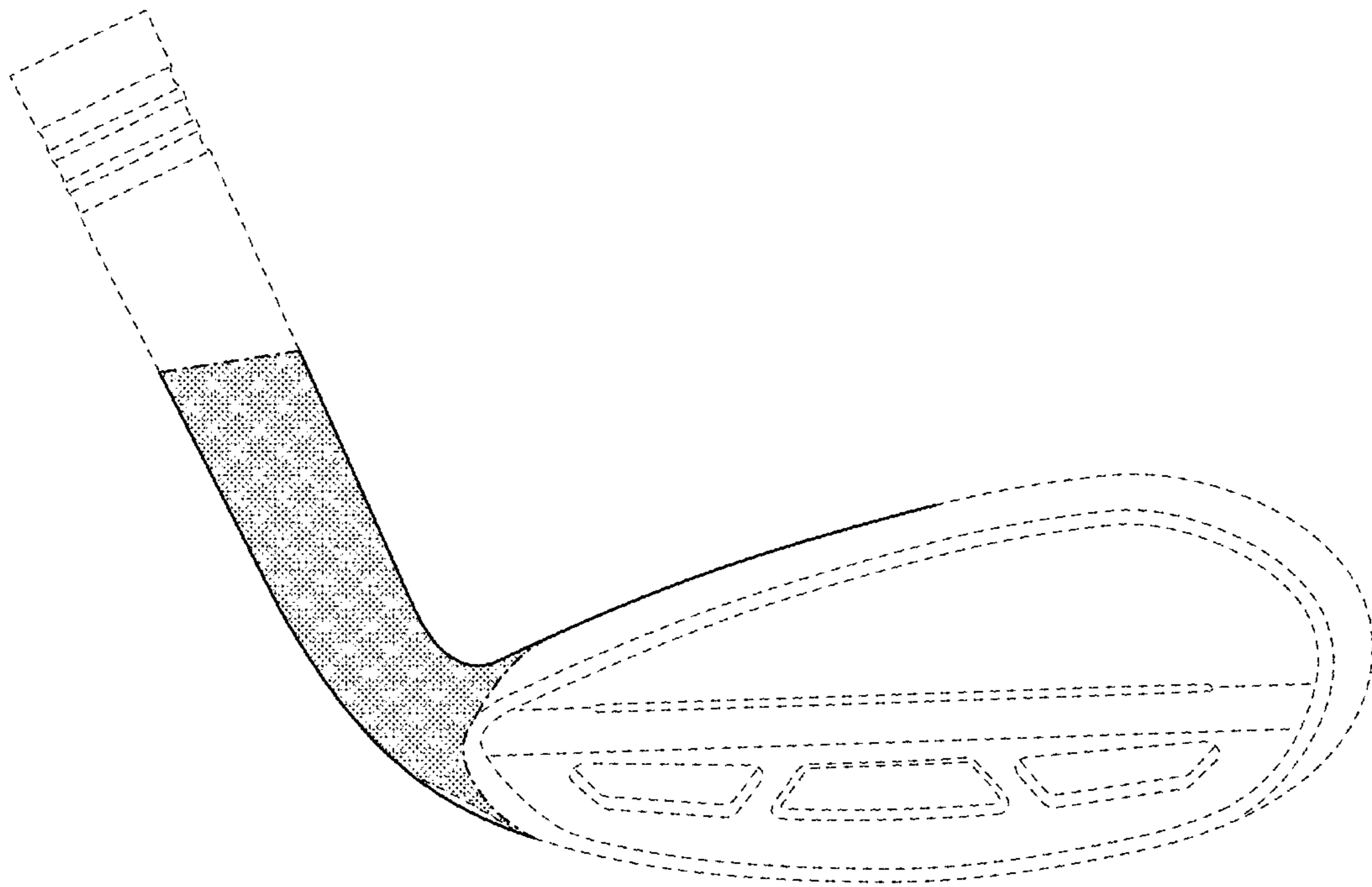


FIG. 3

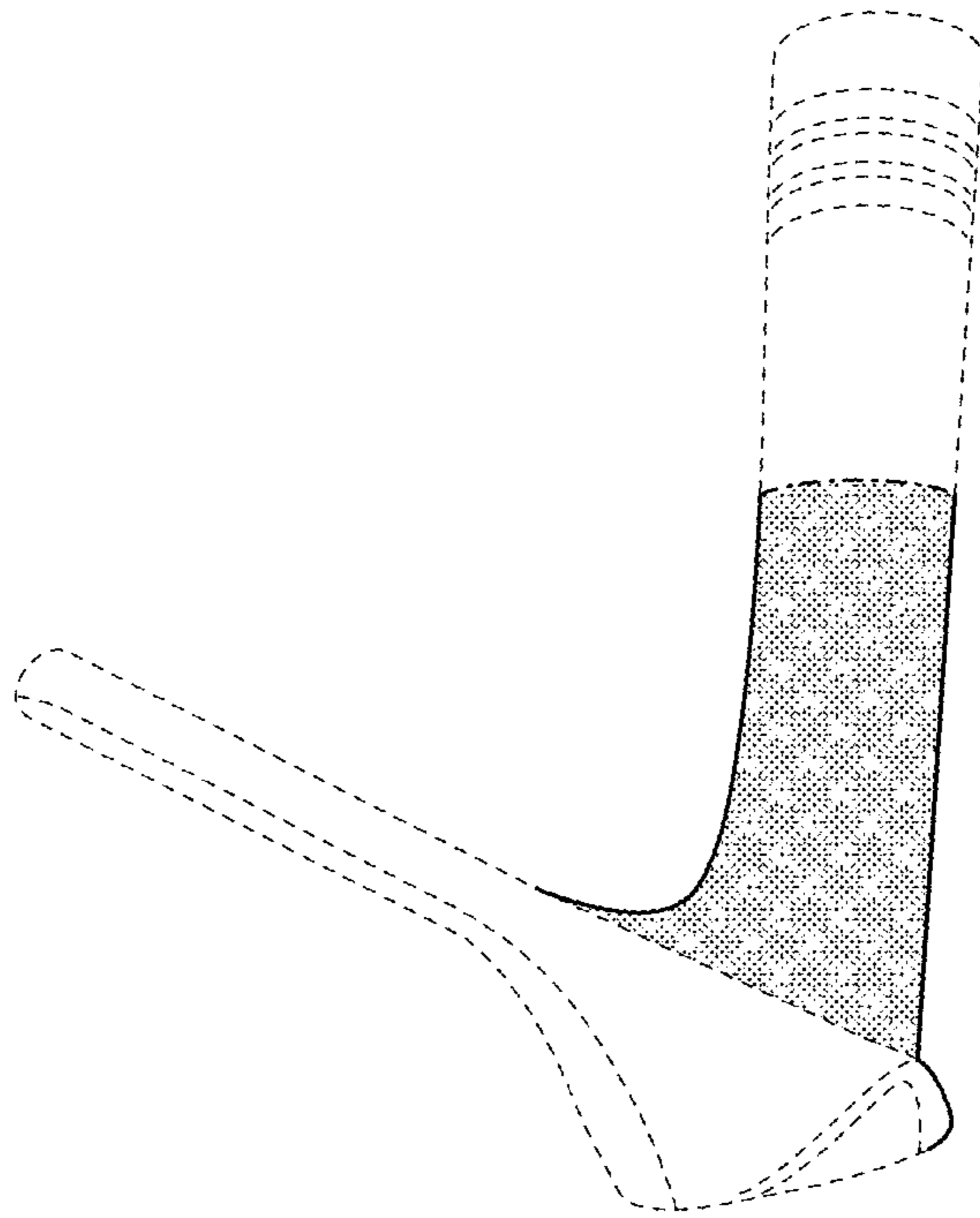


FIG. 4

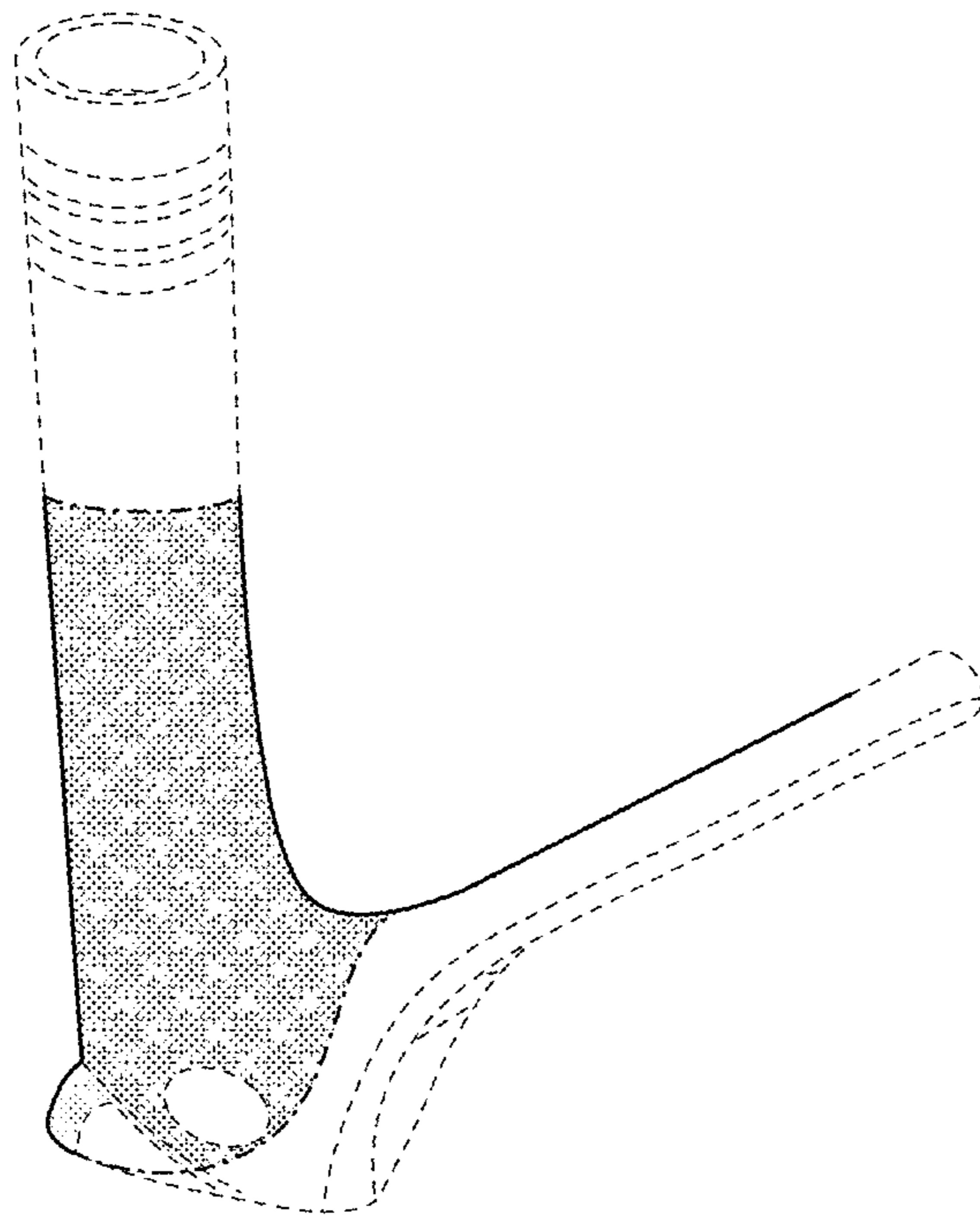


FIG. 5

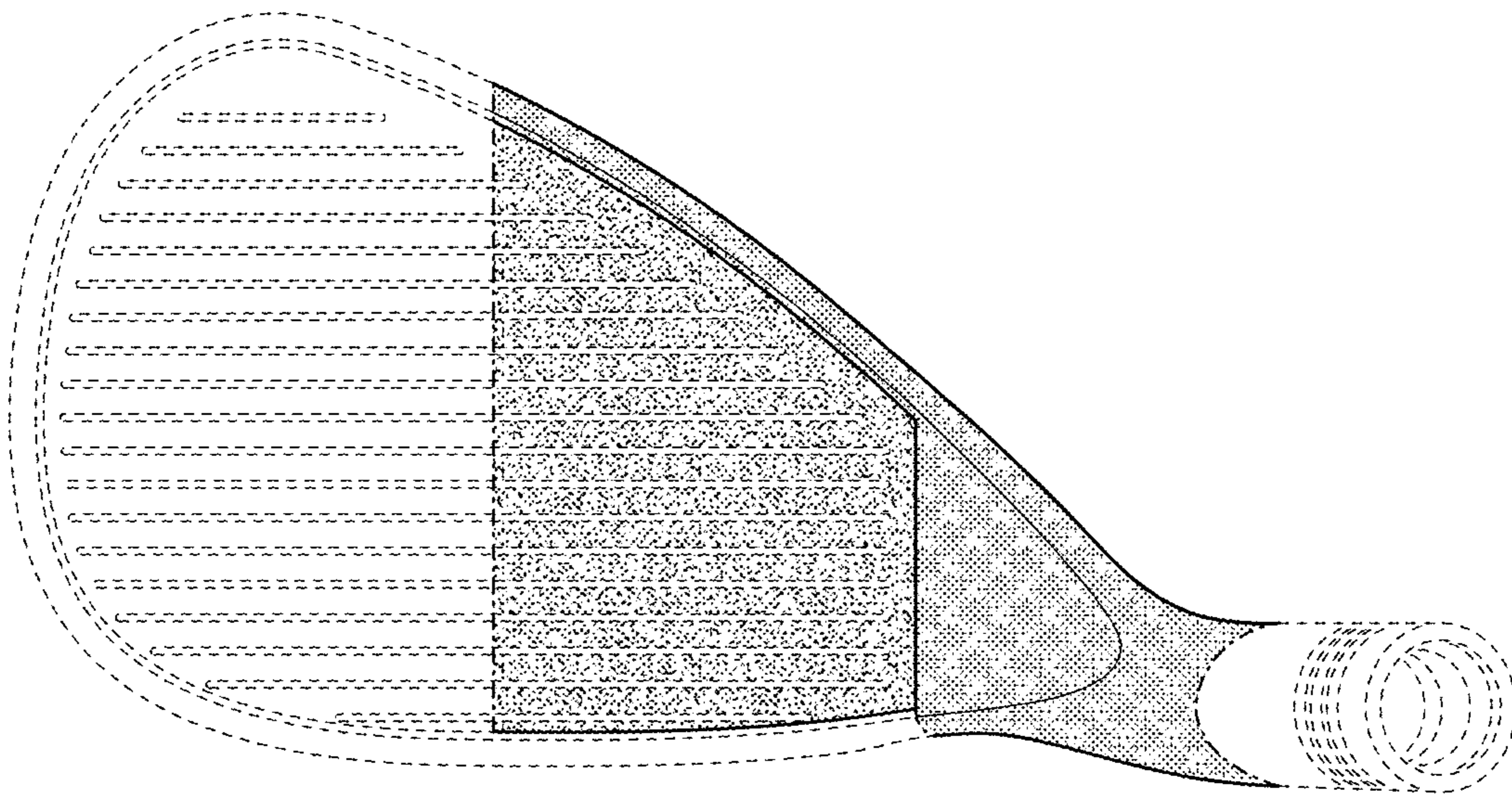


FIG. 6

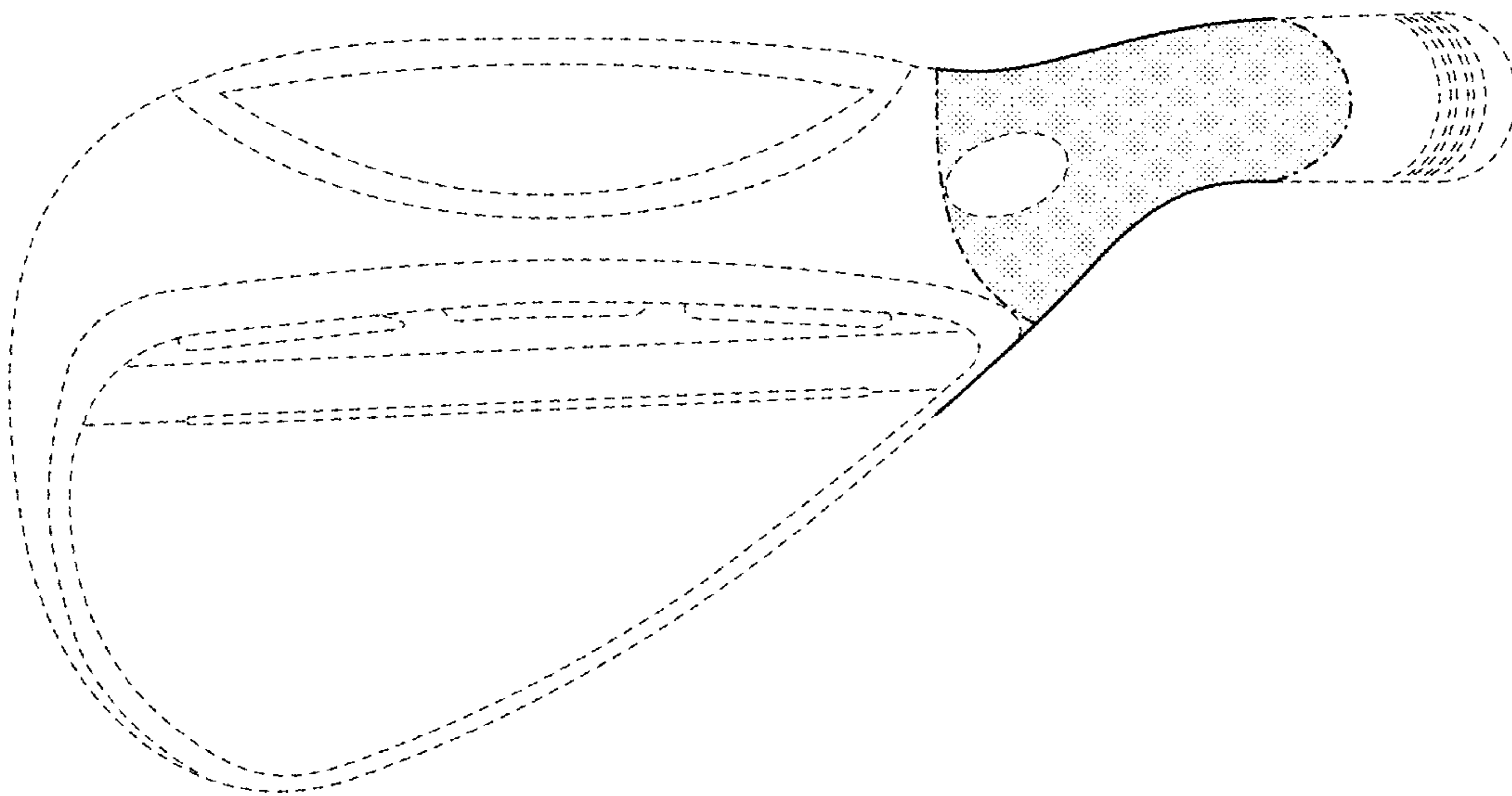


FIG. 7