



US00D858666S

(12) **United States Design Patent** (10) **Patent No.:** **US D858,666 S**
Serrano (45) **Date of Patent:** **** Sep. 3, 2019**

(54) **GOLF CLUB HEAD**
(71) Applicant: **KARSTEN MANUFACTURING CORPORATION**, Phoenix, AZ (US)
(72) Inventor: **Anthony D. Serrano**, Anthem, AZ (US)
(73) Assignee: **Karsten Manufacturing Corporation**, Phoenix, AZ (US)
(**) Term: **15 Years**
(21) Appl. No.: **29/654,198**
(22) Filed: **Jun. 21, 2018**
(51) **LOC (12) Cl.** **21-02**
(52) **U.S. Cl.**
USPC **D21/746**
(58) **Field of Classification Search**
USPC D21/736-746, 759
CPC A63B 53/00; A63B 53/04; A63B 53/007;
A63B 53/065; A63B 53/0487; A63B
60/00; A63B 60/46
See application file for complete search history.

(56) **References Cited**
U.S. PATENT DOCUMENTS
D207,227 S 3/1967 Solheim
D228,930 S * 10/1973 Leigh D21/742
D239,951 S 5/1976 Carrier
D334,959 S 4/1993 Iinuma et al.
D360,670 S * 7/1995 Nilsson D21/741
D363,101 S * 10/1995 Sturm D21/746
D379,392 S * 5/1997 Fehrer D21/743
D380,515 S * 7/1997 Fabbri, Jr. D21/745
D394,689 S 5/1998 Sheets
D402,721 S 12/1998 Gurrola
D483,823 S 12/2003 Swist
D485,320 S 1/2004 Breier et al.
D498,276 S 11/2004 Schweigert et al.

D517,141 S * 3/2006 Niwa D21/736
D524,887 S 7/2006 Jones et al.
D525,328 S 7/2006 Solheim et al.
D525,329 S 7/2006 Jones et al.
D531,241 S 10/2006 Hueber
D532,847 S * 11/2006 Rollinson D21/736
D535,712 S 1/2007 Torossian
(Continued)

Primary Examiner — Mitchell I. Siegel

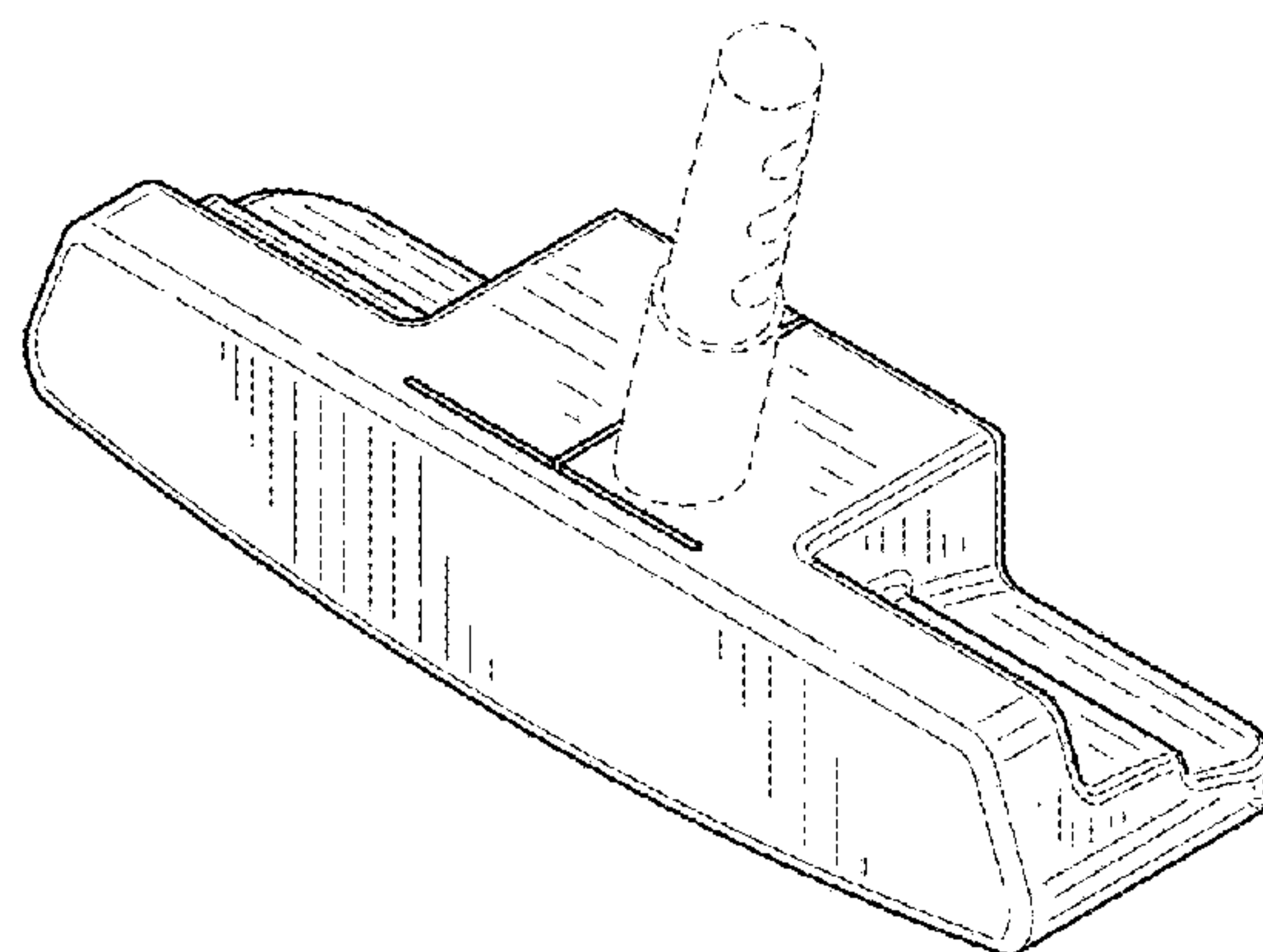
(57) **CLAIM**

The ornamental design for a golf club head, as shown and described.

DESCRIPTION

FIG. 1 is a top perspective view of a golf club head;
FIG. 2 is a bottom perspective view of the golf club head of FIG. 1;
FIG. 3 is a top view of the golf club head of FIG. 1;
FIG. 4 is a bottom view of the golf club head of FIG. 1;
FIG. 5 is a front view of the golf club head of FIG. 1;
FIG. 6 is a rear view of the golf club head of FIG. 1;
FIG. 7 is a heel side view of the golf club head of FIG. 1;
FIG. 8 is a toe side view of the golf club head of FIG. 1;
FIG. 9 is a top perspective view of another embodiment of a golf club head;
FIG. 10 is a bottom perspective view of the golf club head of FIG. 9;
FIG. 11 is a top view of the golf club head of FIG. 9;
FIG. 12 is a bottom view of the golf club head of FIG. 9;
FIG. 13 is a front view of the golf club head of FIG. 9;
FIG. 14 is a rear view of the golf club head of FIG. 9;
FIG. 15 is a heel side view of the golf club head of FIG. 9;
and,
FIG. 16 is a toe side view of the golf club head of FIG. 9.
The broken lines shown on the drawings are included for the purpose of illustrating unclaimed subject matter and forms no part of the claimed design.

1 Claim, 8 Drawing Sheets



(56)

References Cited

U.S. PATENT DOCUMENTS

| | | | |
|--------------|---------|------------------|---------|
| D548,294 S | 8/2007 | Nguyen et al. | |
| D565,678 S | 4/2008 | Cameron | |
| D566,212 S * | 4/2008 | Bardha | D21/736 |
| D571,877 S * | 6/2008 | Jones | D21/736 |
| D571,878 S * | 6/2008 | Jones | D21/736 |
| D574,906 S | 8/2008 | Jones et al. | |
| D574,909 S | 8/2008 | Jones et al. | |
| D574,911 S | 8/2008 | Jones et al. | |
| D579,505 S * | 10/2008 | Jones | D21/736 |
| D590,462 S | 4/2009 | Hettinger et al. | |
| D599,423 S | 9/2009 | Serrano et al. | |
| D638,892 S | 5/2011 | Hettinger et al. | |
| D650,456 S | 12/2011 | Tang et al. | |
| D688,339 S | 8/2013 | Hilton et al. | |
| D689,574 S | 9/2013 | Rollinson | |
| D702,782 S | 4/2014 | Wempe et al. | |
| 9,033,812 B2 | 5/2015 | Solheim et al. | |
| D763,980 S * | 8/2016 | Radke | D21/736 |
| D784,468 S | 4/2017 | Rollinson et al. | |

* cited by examiner

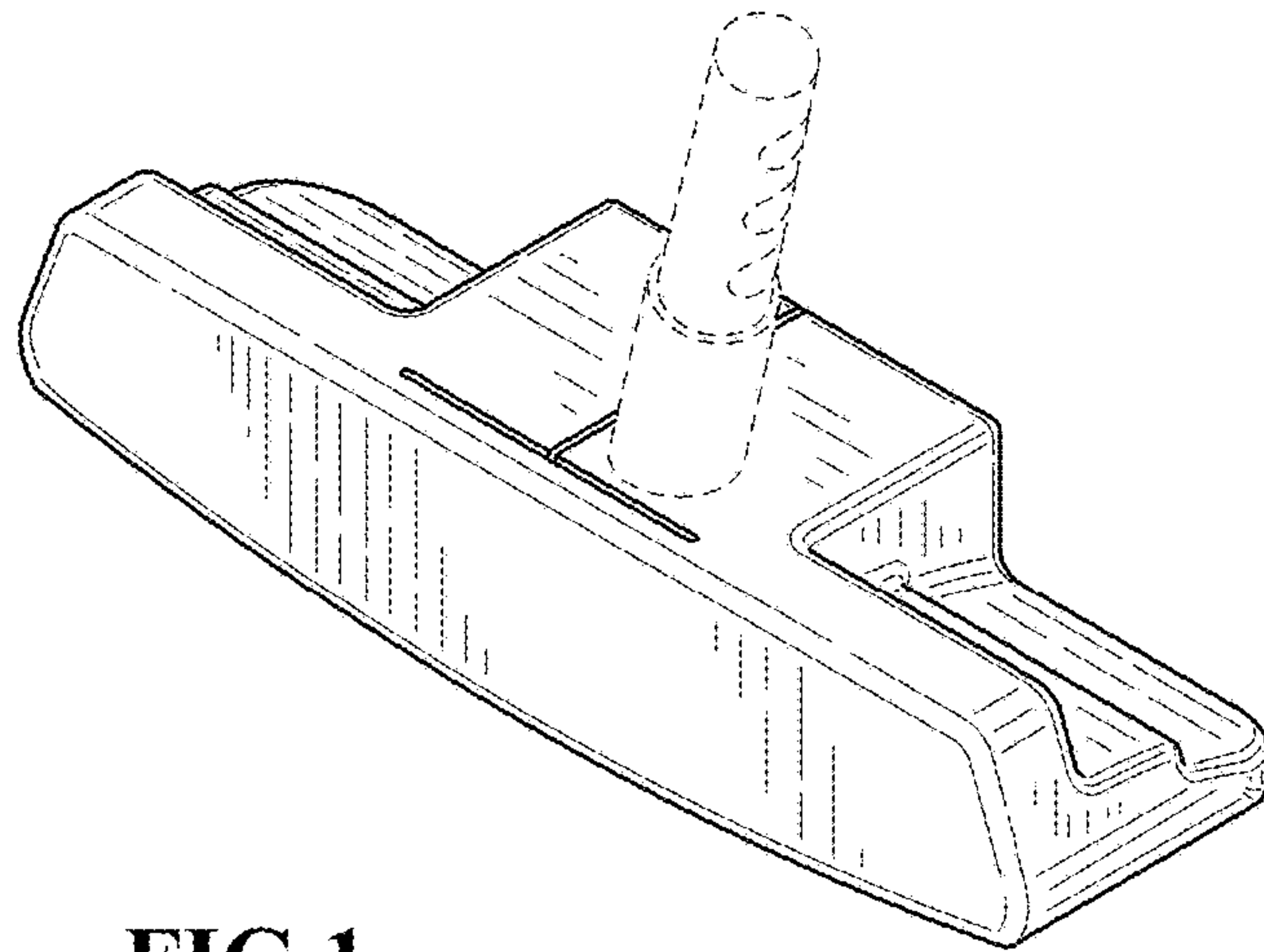


FIG.1

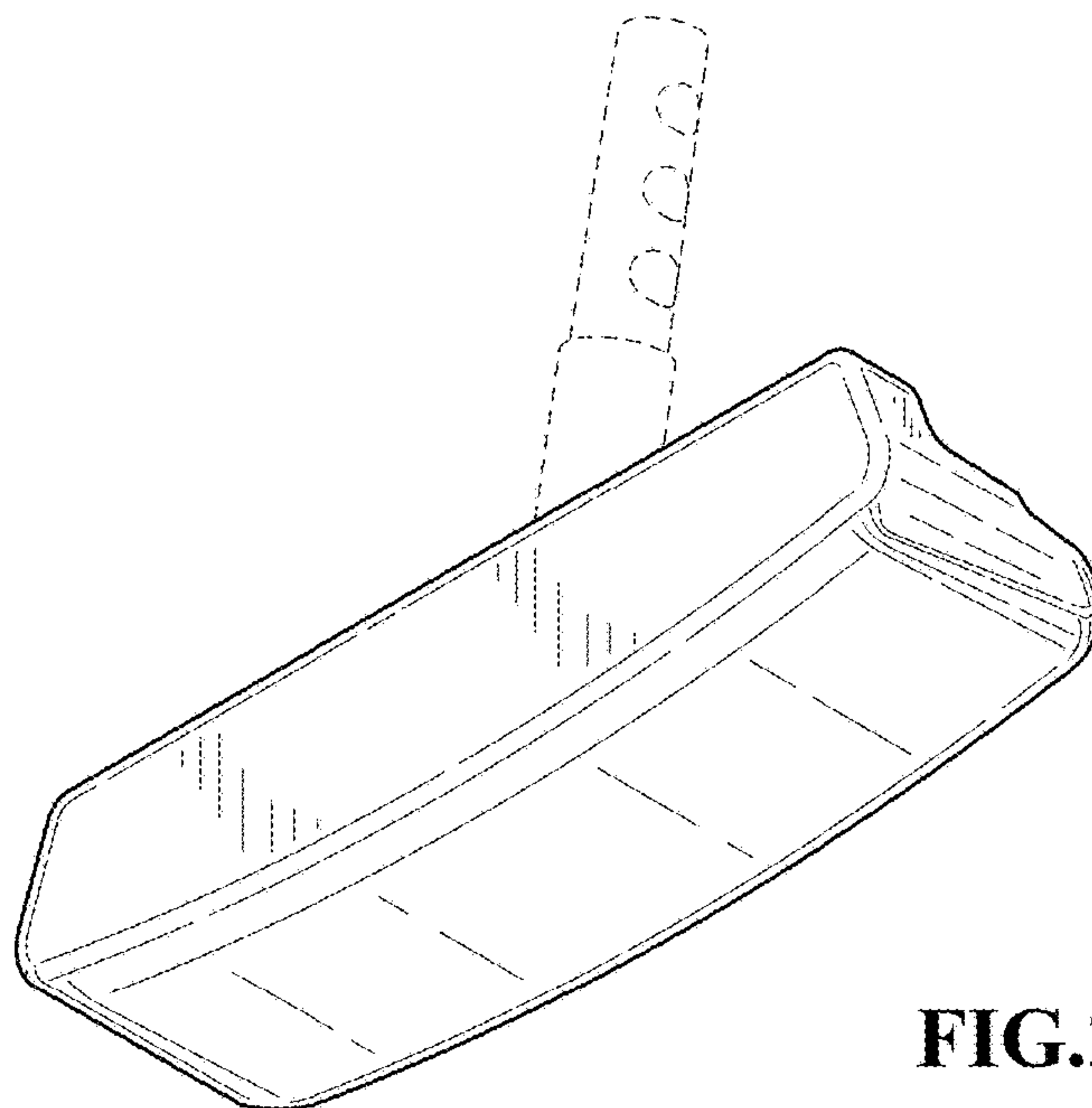


FIG.2

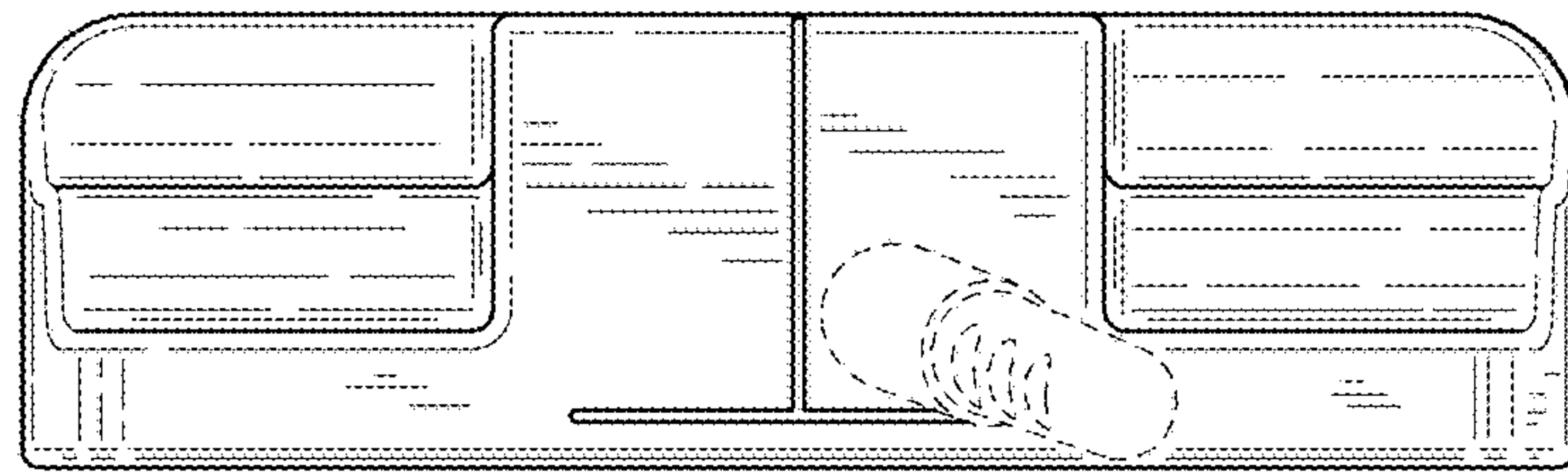


FIG.3

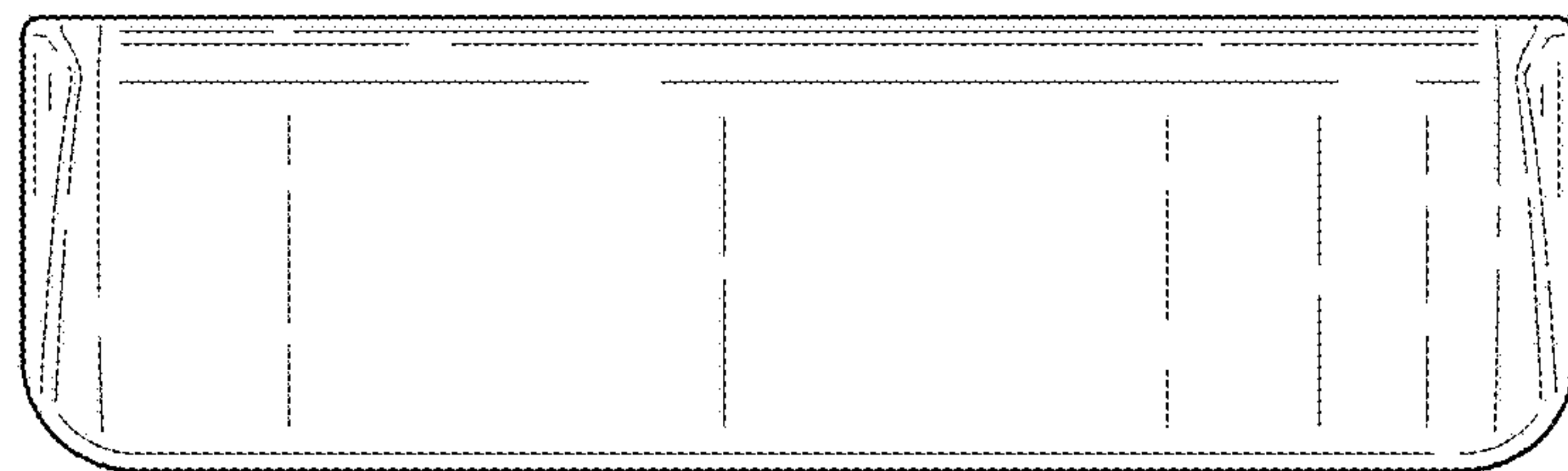


FIG.4

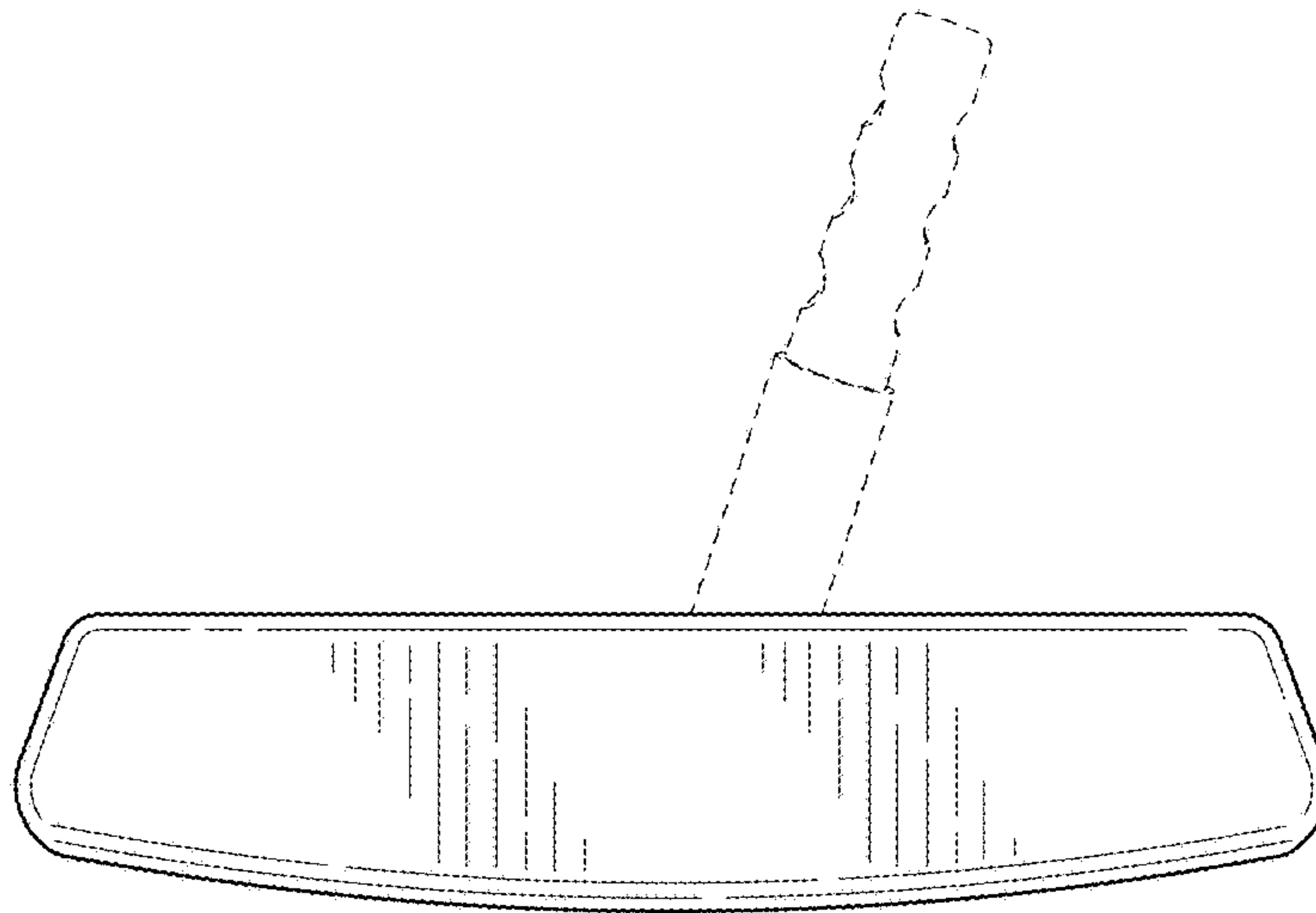


FIG. 5

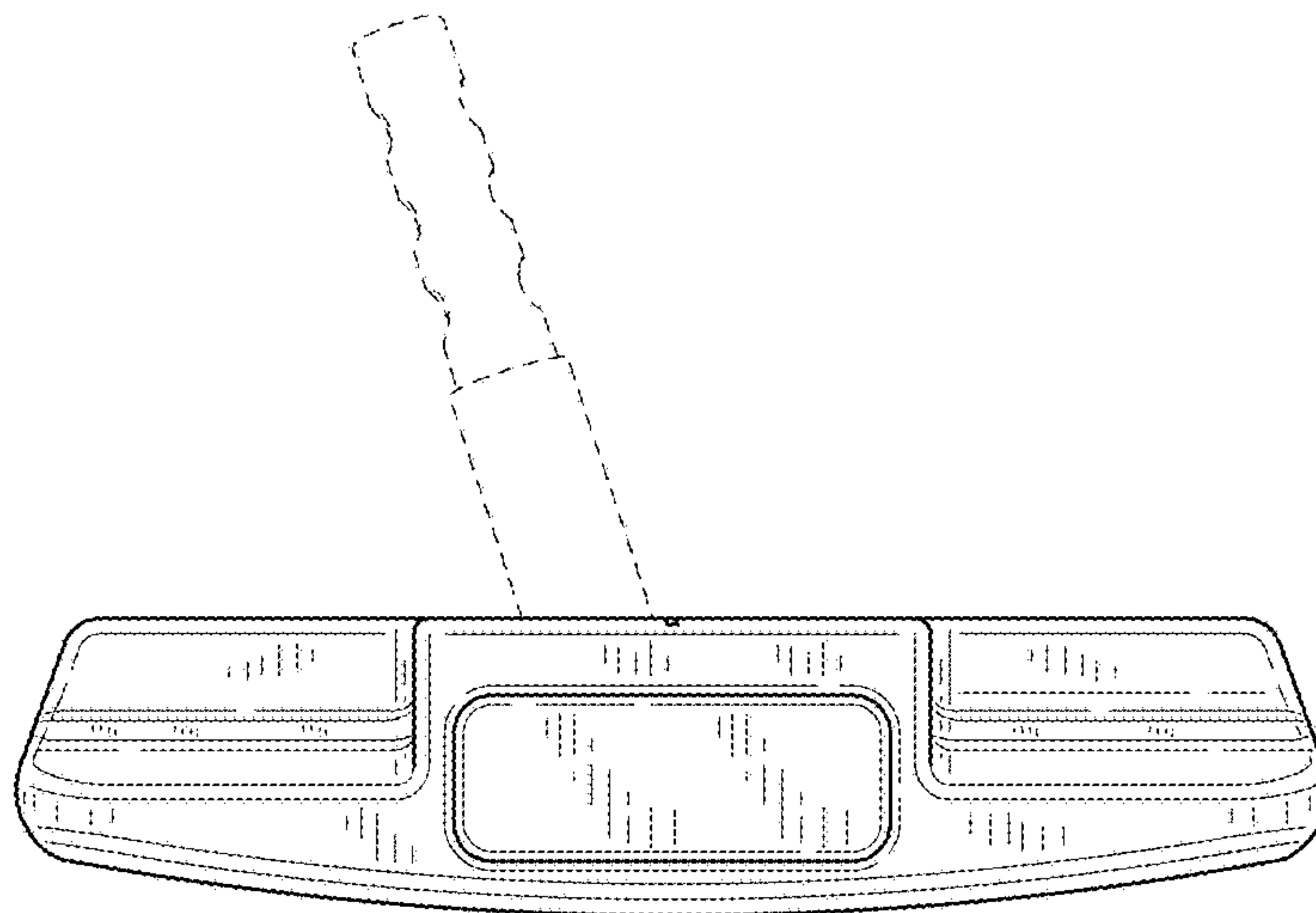


FIG. 6

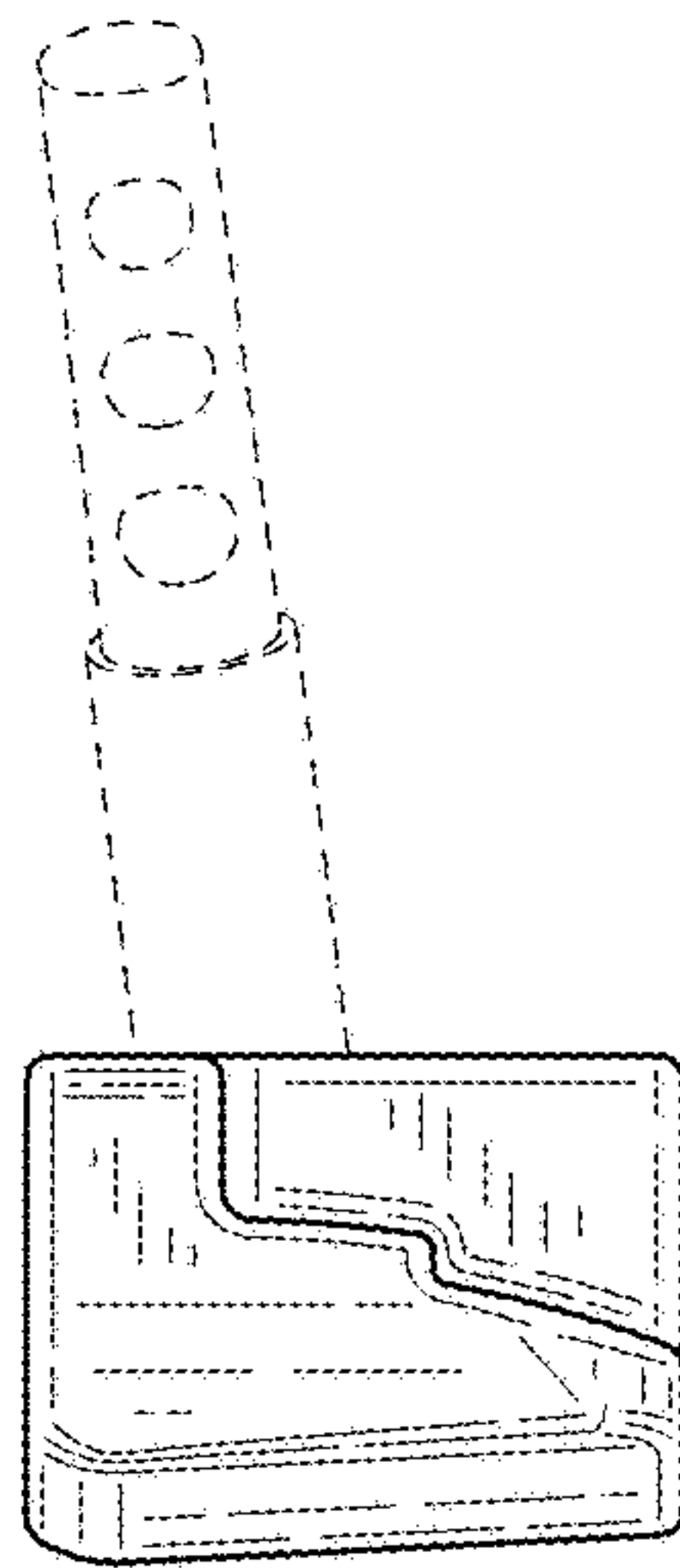


FIG. 7

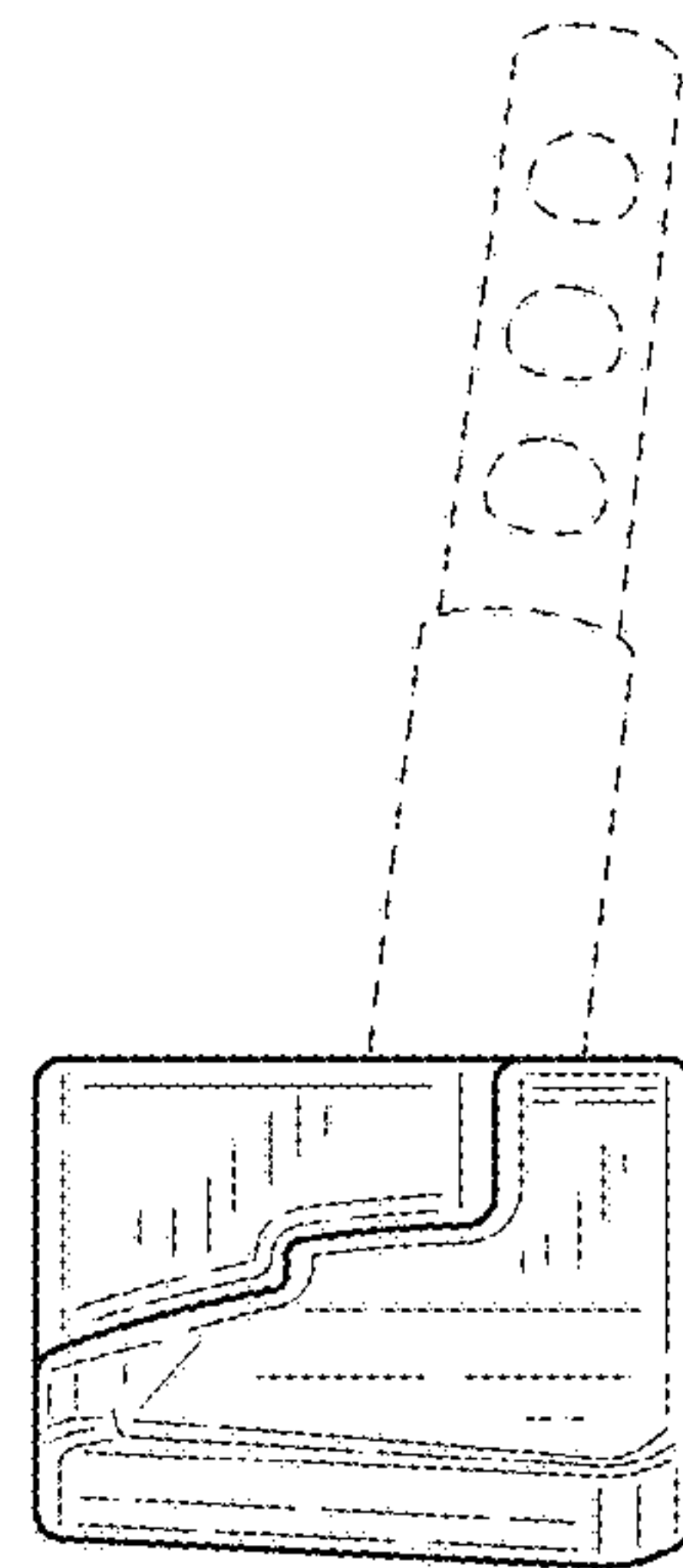


FIG. 8

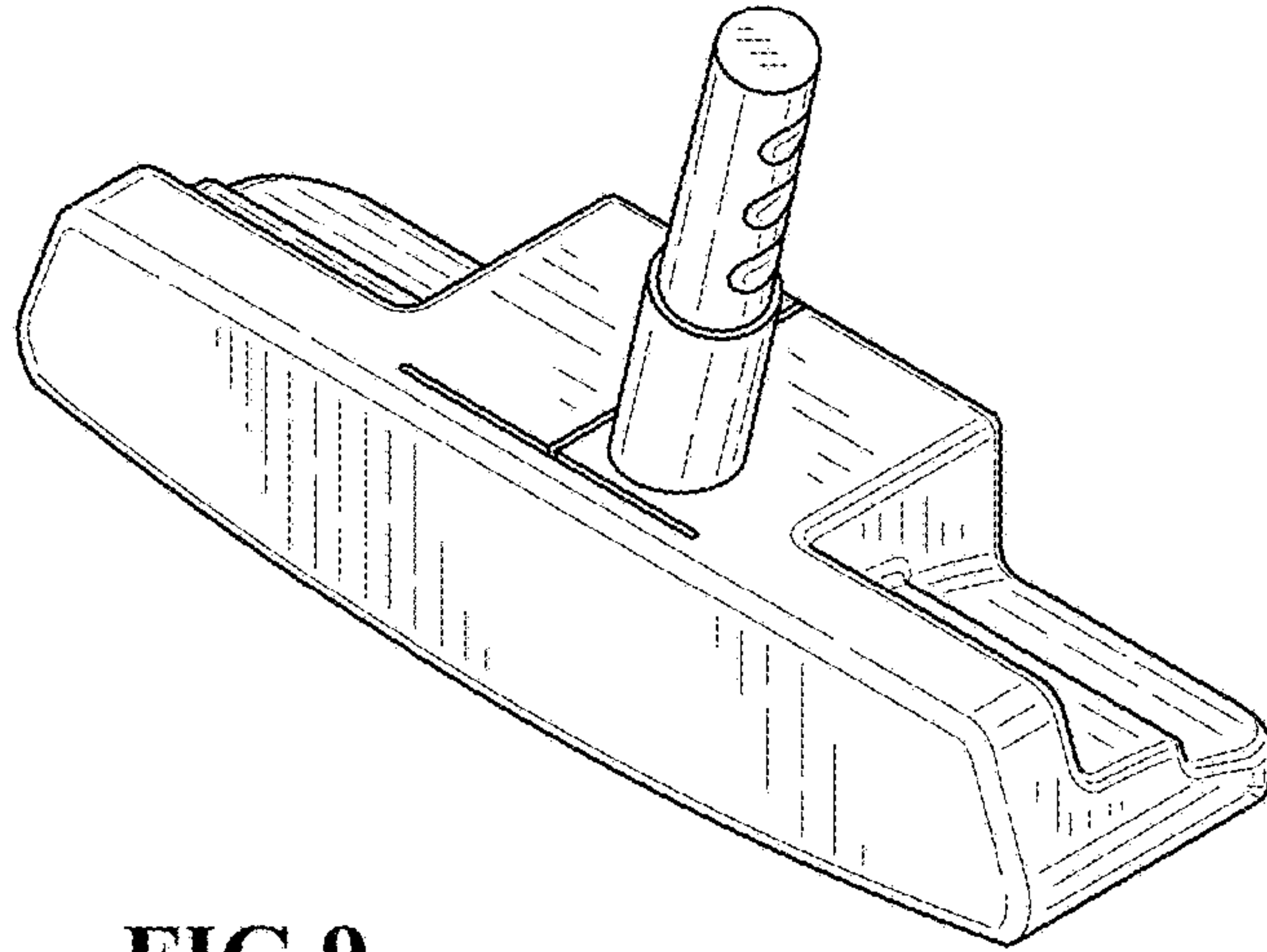


FIG. 9

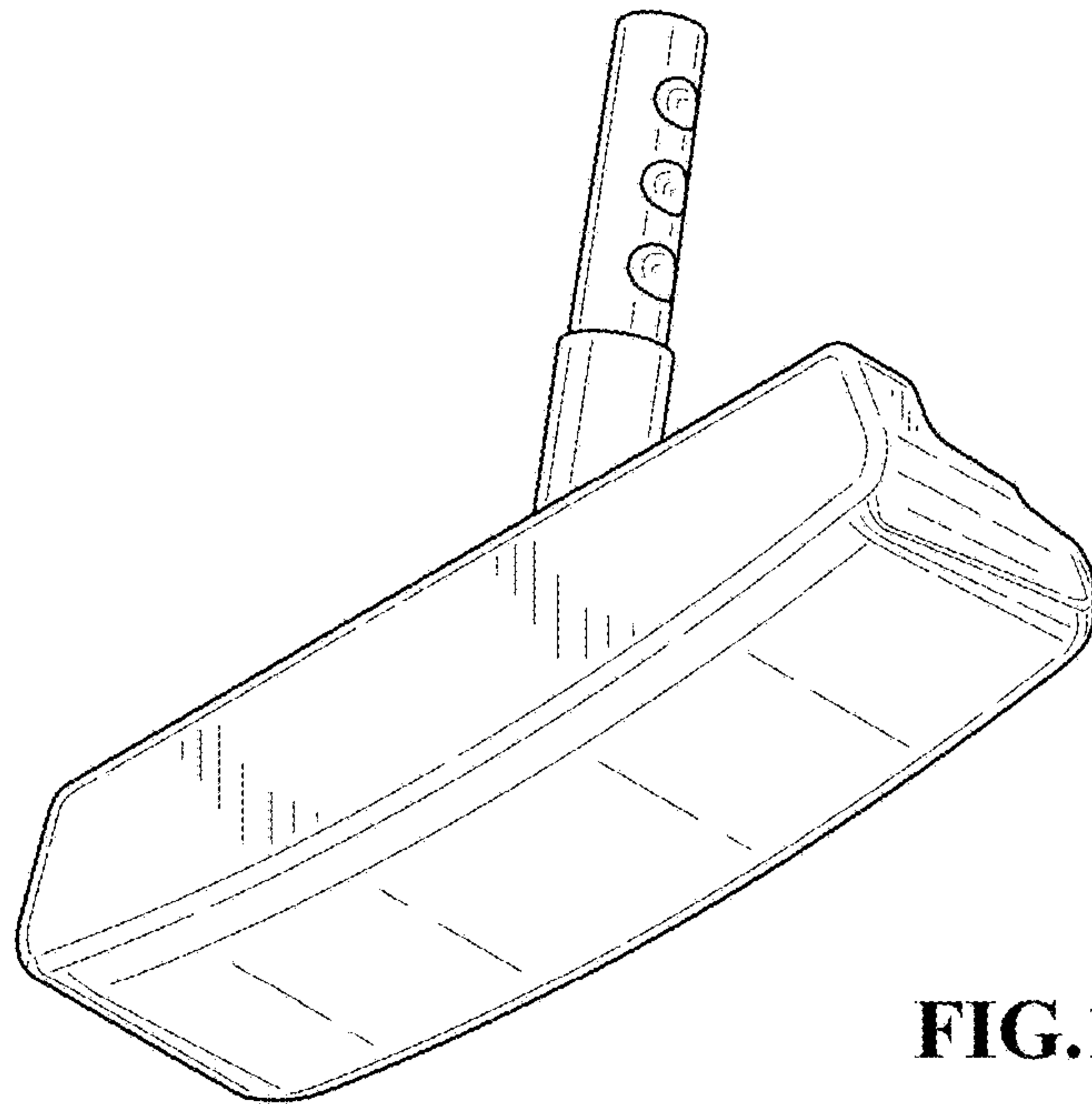


FIG. 10

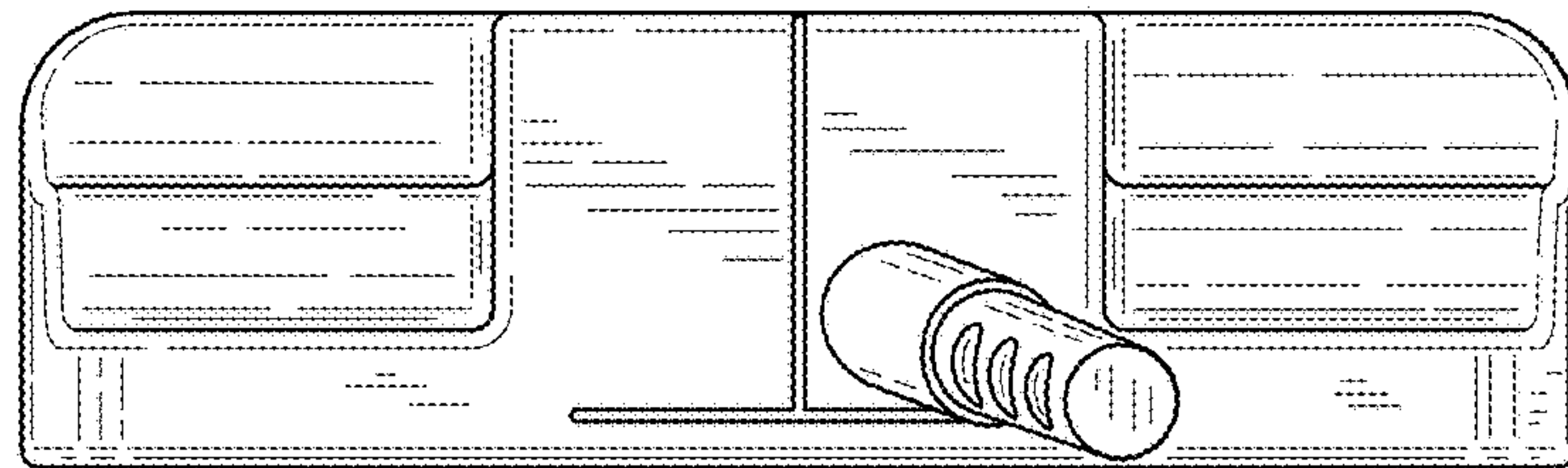


FIG.11

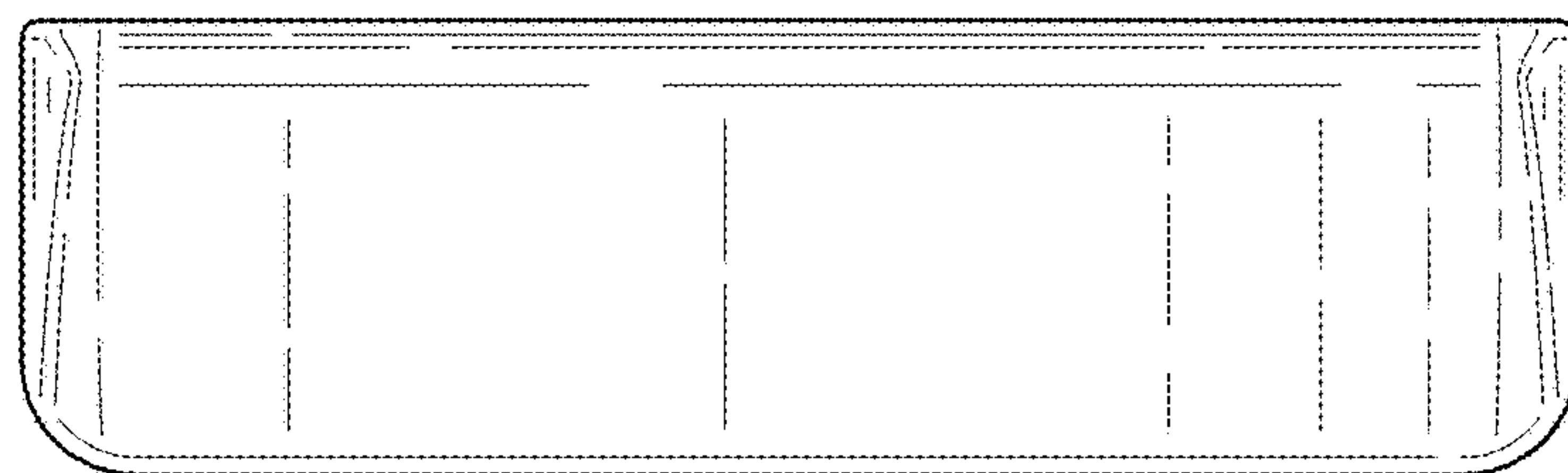


FIG.12

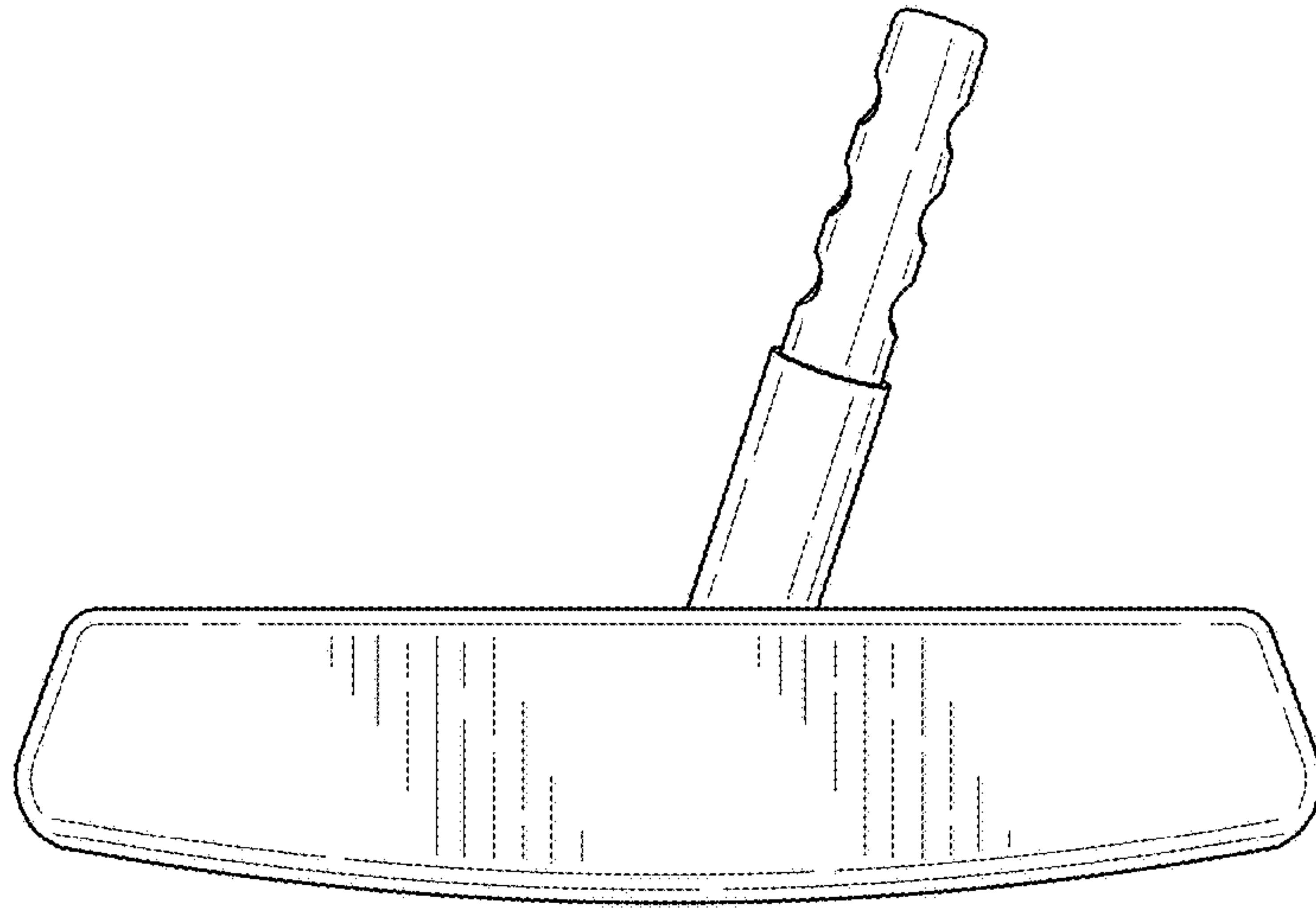


FIG.13

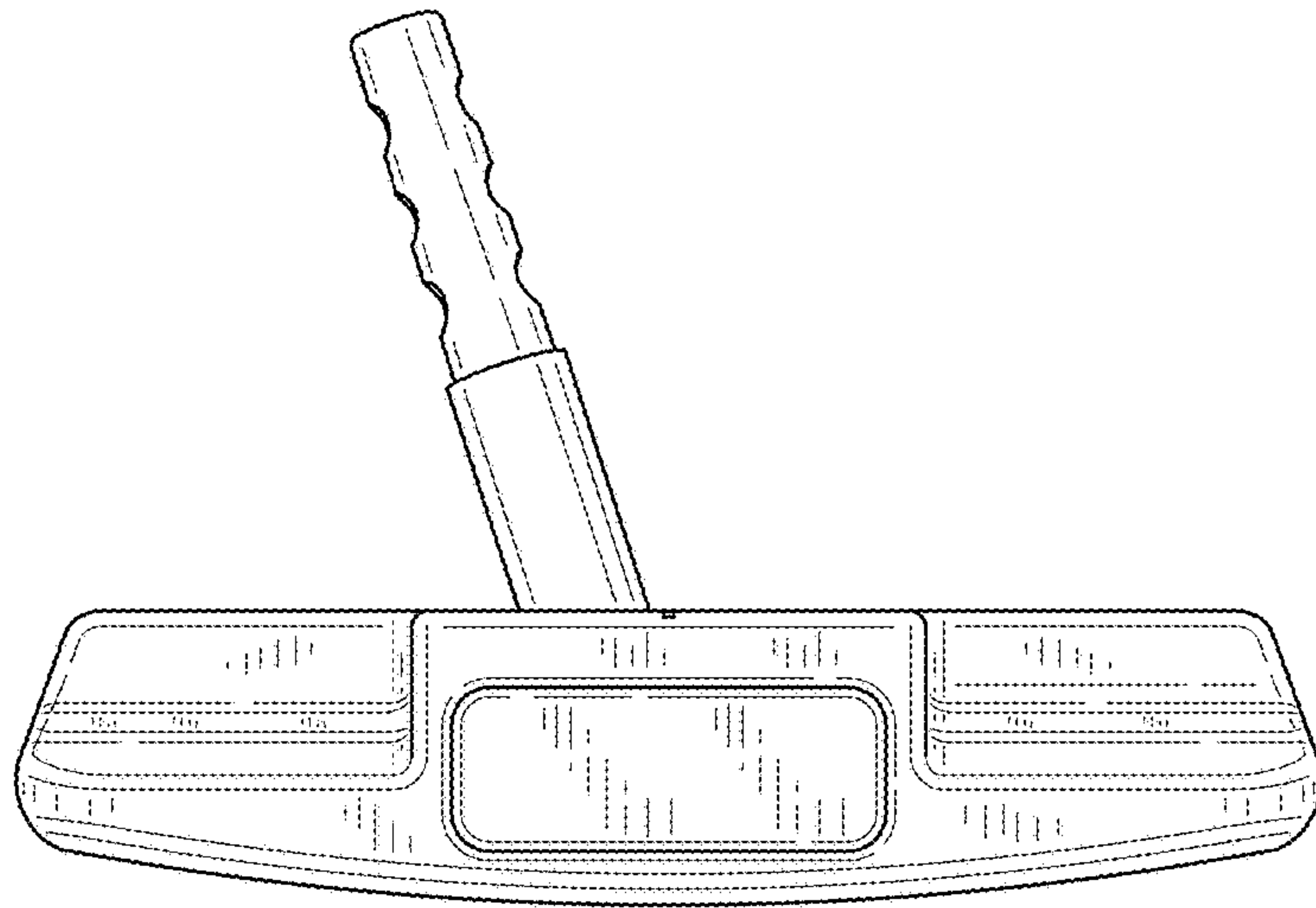


FIG.14

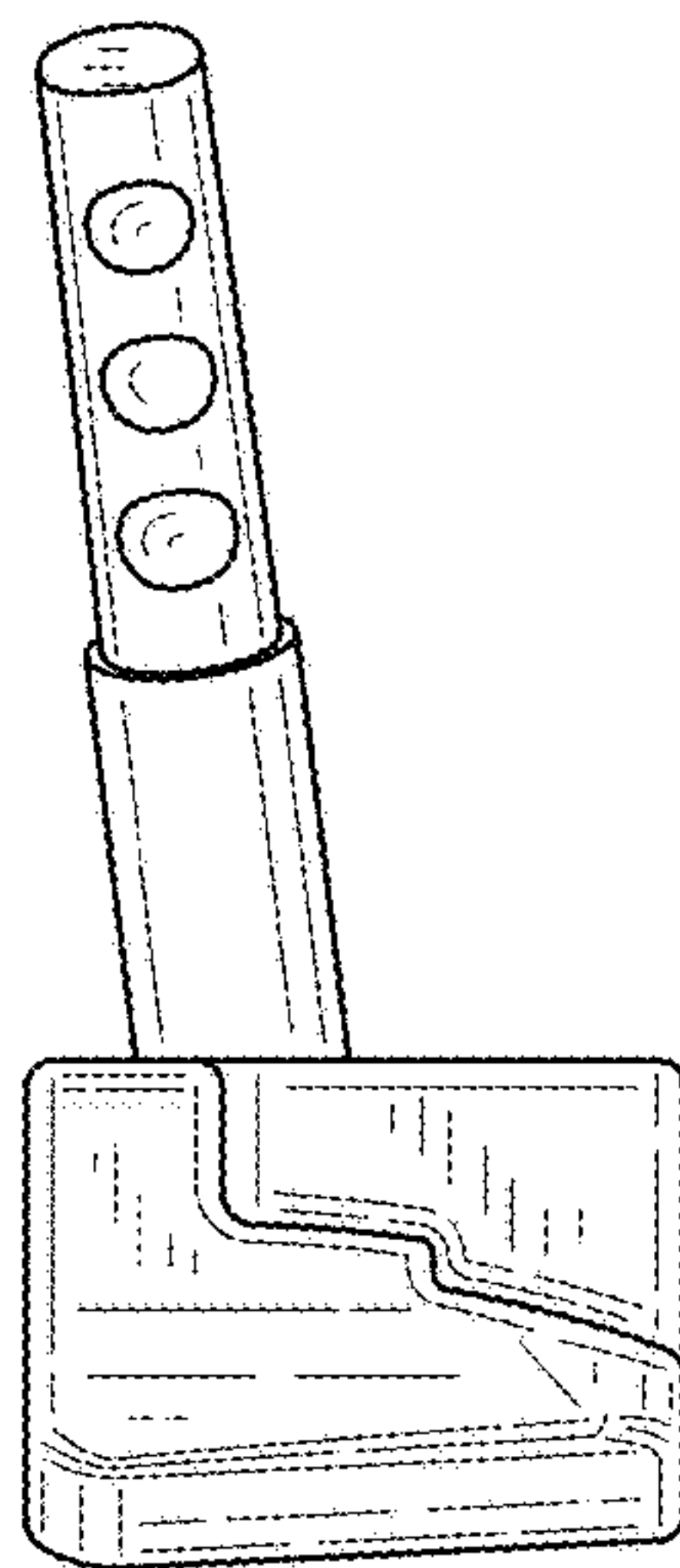


FIG. 15

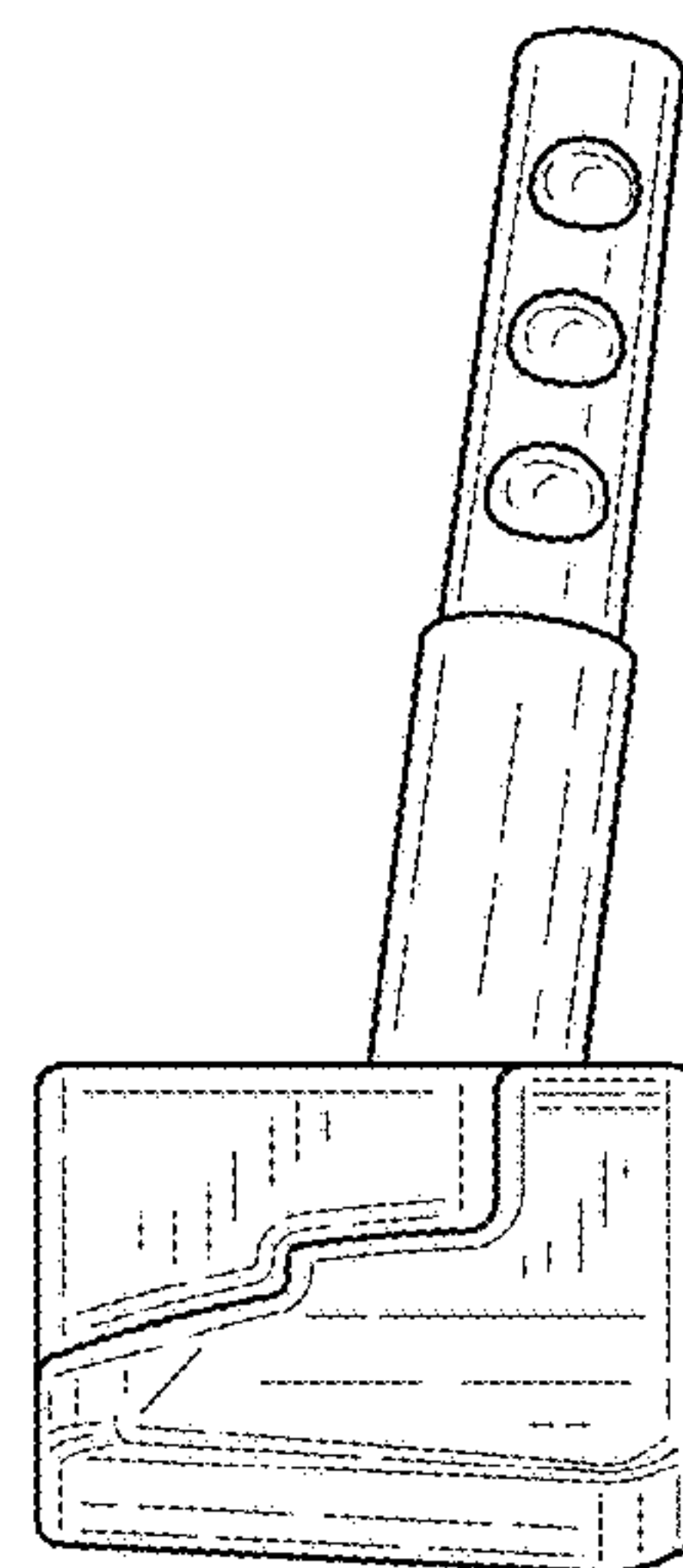


FIG. 16