



US00D858663S

(12) **United States Design Patent** (10) **Patent No.:** **US D858,663 S**
Jones et al. (45) **Date of Patent:** **** Sep. 3, 2019**

- (54) **EXERCISE BIKE**
- (71) Applicant: **Coulter Ventures LLC**, Columbus, OH (US)
- (72) Inventors: **Dylan Jones**, Santa Barbara, CA (US); **Matt Dubberley**, Santa Barbara, CA (US); **Patrick Burgess**, Cullowhee, NC (US)
- (73) Assignee: **Coulter Ventures, LLC**, Columbus, OH (US)

- 4,880,225 A 11/1989 Lucas et al.
 D306,330 S 2/1990 Lucas et al.
 D307,167 S 4/1990 Lucas et al.
 D307,614 S 5/1990 Bingham et al.
 D307,615 S 5/1990 Bingham et al.
 4,932,649 A 6/1990 Chen
 4,961,569 A 10/1990 Roberge
 4,961,570 A * 10/1990 Chang A63B 22/0056
 482/53
- 4,962,925 A 10/1990 Chang
 4,971,316 A 11/1990 Dalebout et al.
 (Continued)

(**) Term: **15 Years**

(21) Appl. No.: **29/658,628**

(22) Filed: **Aug. 1, 2018**

(51) **LOC (12) Cl.** **21-02**

(52) **U.S. Cl.**
USPC **D21/697**

(58) **Field of Classification Search**
 USPC D21/663, 667, 666, 697, 694, 665, 668,
 D21/664, 690, 676, 670; 482/57, 62,
 482/111, 139, 145, 60, 51, 123, 72, 61,
 482/58, 9; 74/502.4, 502.6, 594.2, 594.1,
 74/48; D12/178, 411, 345; D23/382,
 D23/381, 378, 412, 411; D13/115;
 D15/7
 CPC . A63B 22/0605; A63B 21/225; A63B 22/001;
 A63B 22/0664; A63B 21/4047
 See application file for complete search history.

(56) **References Cited**

U.S. PATENT DOCUMENTS

- 4,188,030 A 2/1980 Hooper
 D272,182 S * 1/1984 Fowler D23/412
 4,712,789 A 12/1987 Brilando
 4,712,790 A 12/1987 Szymski
 4,824,102 A 4/1989 Lo

OTHER PUBLICATIONS

Rogue Echo Bike product advertisement from <https://www.youtube.com/watch?v=9xfUu652CMg>, dated Dec. 26, 2017.

(Continued)

Primary Examiner — Ryan Harvey

(74) *Attorney, Agent, or Firm* — Banner & Witcoff, Ltd.

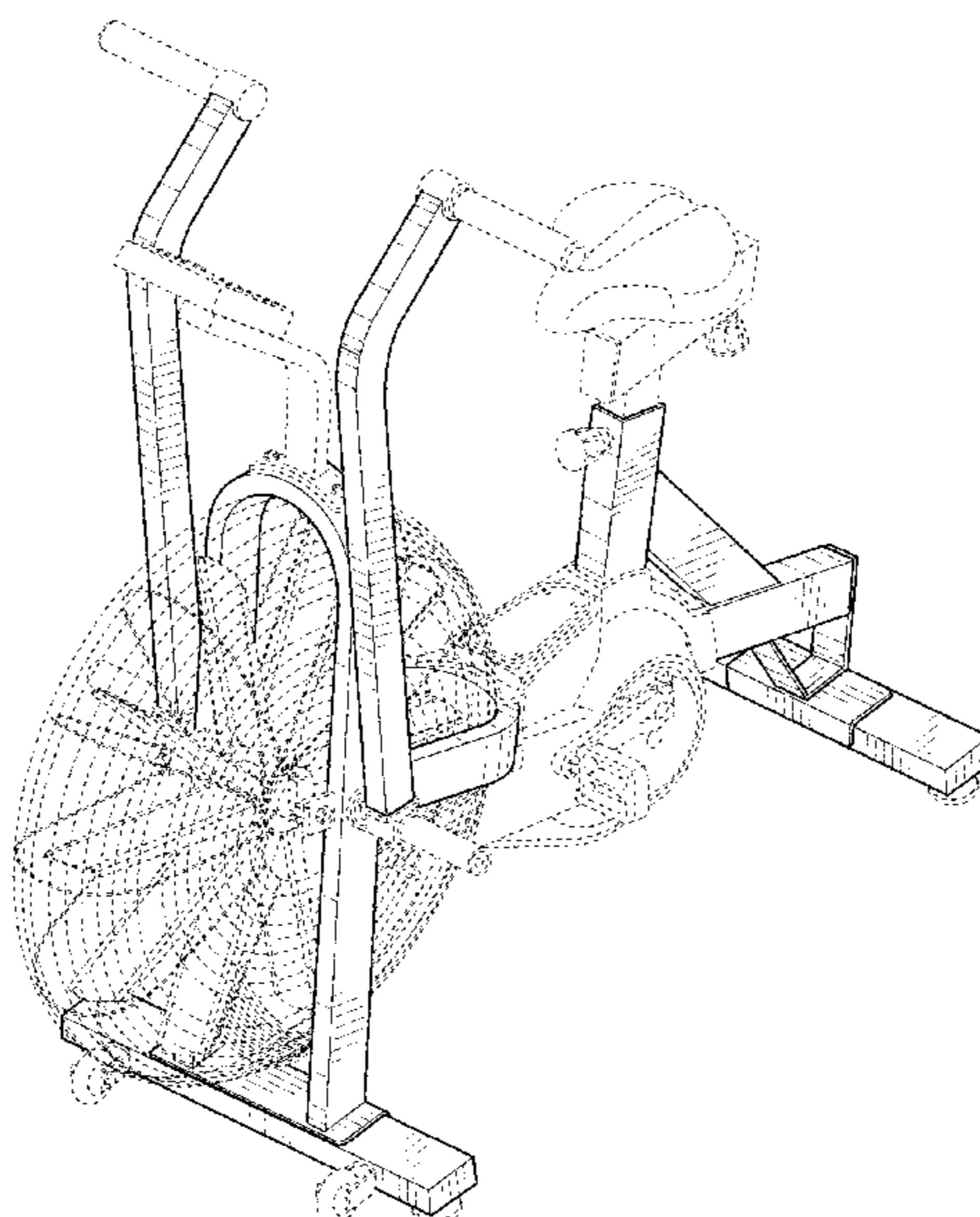
(57) **CLAIM**

The ornamental design for an exercise bike, as shown and described.

DESCRIPTION

FIG. 1 is a top, front, left perspective view of an exercise bike showing our new design;
 FIG. 2 is a top, front, right perspective view thereof;
 FIG. 3 is a rear view thereof;
 FIG. 4 is a front view thereof;
 FIG. 5 is a left side view thereof;
 FIG. 6 is a right side view thereof;
 FIG. 7 is a top view thereof;
 FIG. 8 is a top, rear, left perspective view thereof; and,
 FIG. 9 is a top, rear, right perspective view thereof.
 The broken lines depicting the remainder of the exercise bike show features that form no part of the claimed design.

1 Claim, 9 Drawing Sheets



(56)

References Cited

U.S. PATENT DOCUMENTS

4,981,294 A * 1/1991 Dalebout A63B 22/001
482/59

5,000,444 A 3/1991 Dalebout et al.
D319,274 S 8/1991 Byrd et al.
D319,480 S 8/1991 Byrd et al.
D319,675 S 9/1991 Byrd et al.
5,048,824 A 9/1991 Chen
5,149,312 A 9/1992 Croft et al.
D330,236 S * 10/1992 Jarriel D21/665
D333,868 S * 3/1993 Yaung D23/412
RE34,478 E 12/1993 Dalebout et al.
D344,583 S * 2/1994 Hsu D23/382
5,290,212 A 3/1994 Metcalf
5,346,445 A 9/1994 Chang
5,397,286 A 3/1995 Chang
5,443,434 A 8/1995 Buchanan et al.
5,795,270 A 8/1998 Woods et al.
D418,218 S * 12/1999 Hsu D23/411
6,159,132 A 12/2000 Chang
6,220,991 B1 4/2001 Sellers
D459,796 S * 7/2002 Moreno D23/382
D488,861 S * 4/2004 Moreno D23/412
D699,305 S 2/2014 Rauwerdink
D699,795 S 2/2014 Rauwerdink
D699,796 S 2/2014 Flick et al.
D767,049 S 9/2016 Flick et al.
D767,050 S 9/2016 Flick et al.
D767,051 S 9/2016 Flick et al.
D781,385 S 3/2017 Flick et al.
9,889,336 B1 * 2/2018 Chen A63B 22/0605
2007/0179025 A1 8/2007 Tsai
2012/0065029 A1 3/2012 Dunlap

2017/0274238 A1 9/2017 Chou
2018/0064982 A1 3/2018 Chen
2018/0256932 A1 9/2018 Hsu
2018/0326257 A1* 11/2018 Jones A63B 22/0605

OTHER PUBLICATIONS

Rogue Echo Bike product advertisement from <<https://www.instagram.com/p/BdLU50LIt7u/?h1=en>>, dated Dec. 26, 2017.
Rogue Echo Bike product listing from <<https://www.roguefitness.com/rogue-echo-bike>>, dated Sep. 13, 2018.
Schwinn Airdyne Pro product advertisement from <https://www.youtube.com/watch?v=c4t_XRTzwPk>, dated Nov. 17, 2015.
Schwinn Airdyne Pro product listing from <<https://www.roguefitness.com/schwinn-airdyne-pro>>, dated Sep. 13, 2018.
Schwinn Airdyne AD6 product listing from <https://www.schwinnfitness.com/ad6/100250.html?adID=SDOSG2SSL48&gclid=EAlalQobChMI2JjUhOa43QIVyh-GCh1j5wPmEAAYAiAAEgJJ7fD_BwE&gclidsrc=aw.ds&psearch=1>, dated Sep. 13, 2018.
Concept2 BikeERG product advertisement from <<https://www.youtube.com/watch?v=nq9fnKhJMgg>>, dated Sep. 1, 2017.
Concept2 BikeERG product listing from <<https://www.concept2.com/bikeerg/concept2-bikeerg>>, dated Sep. 13, 2018.
Concept2 BikeERG product listing from <<https://www.roguefitness.com/concept2-bike-erg>>, dated Sep. 13, 2018.
Assault Airbike product listing from <<https://www.roguefitness.com/assault-airbike-and-accessories>>, dated Sep. 13, 2018.
Assault Airbike Elite product advertisement from <<https://www.youtube.com/watch?v=YdSAtaj5xWw>>, dated Nov. 21, 2017.
Assault Airbike Elite product photos from <<https://www.assaultfitness.com/products/airbike-elite>>, dated Sep. 13, 2018.

* cited by examiner

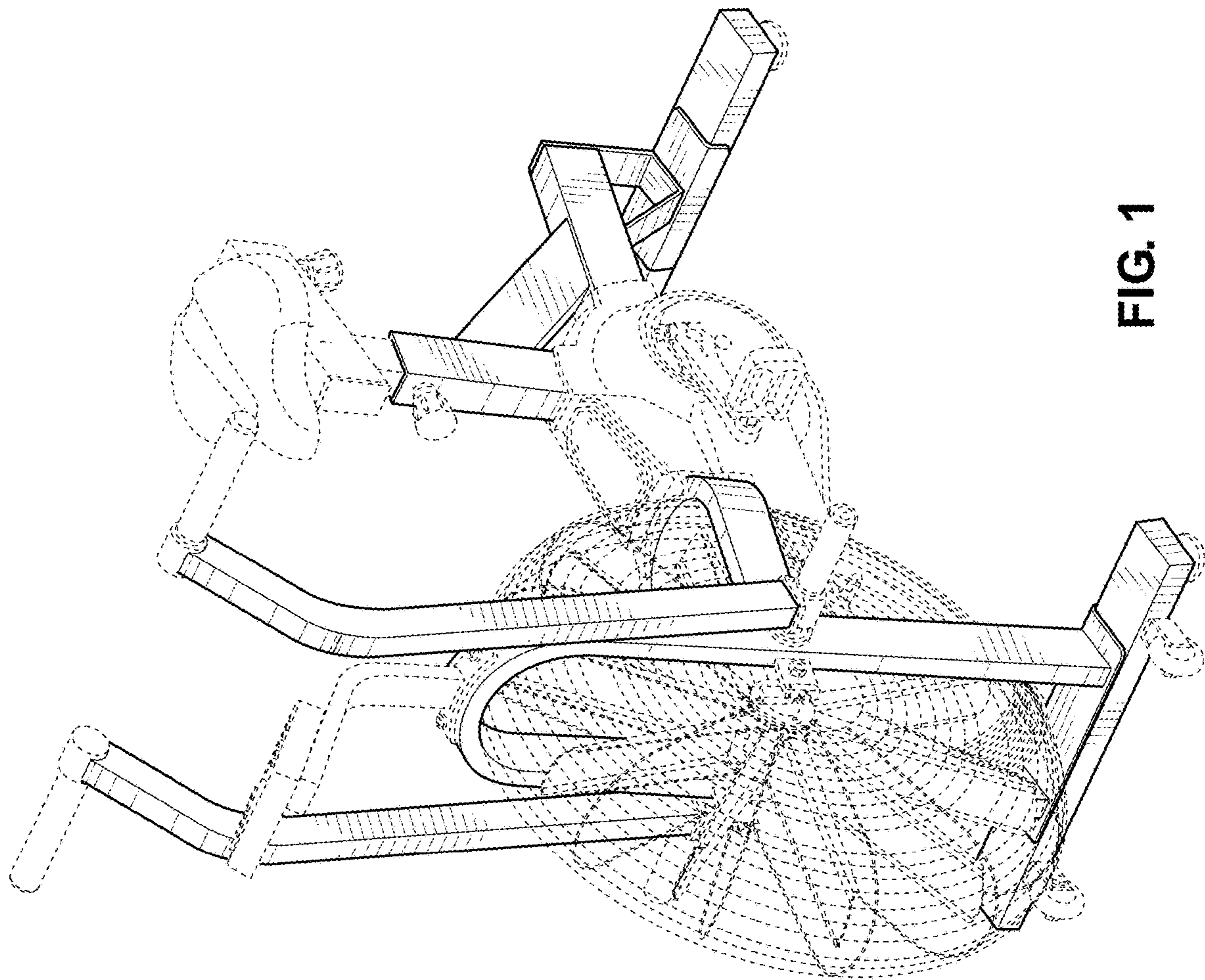
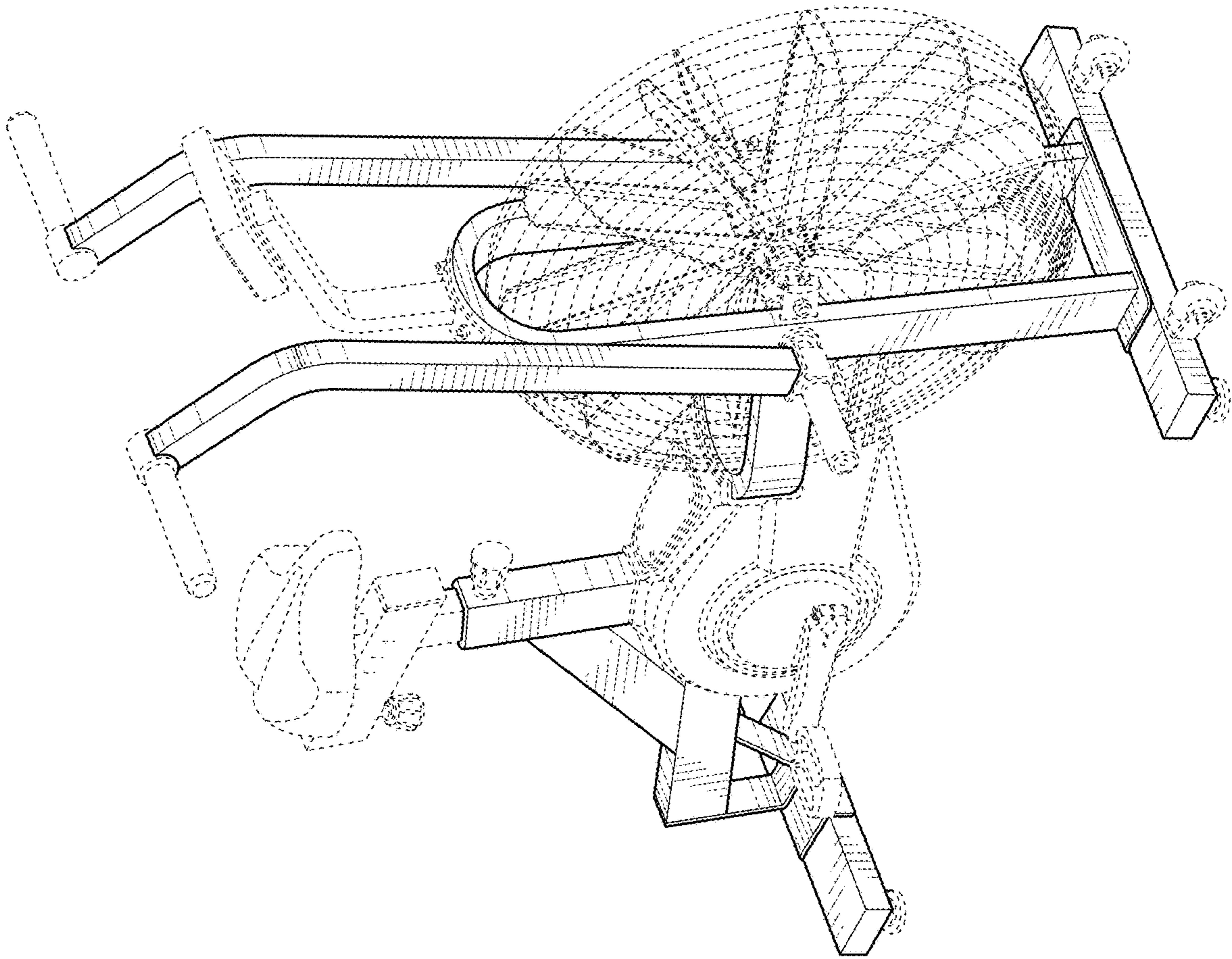


FIG. 1

FIG. 2



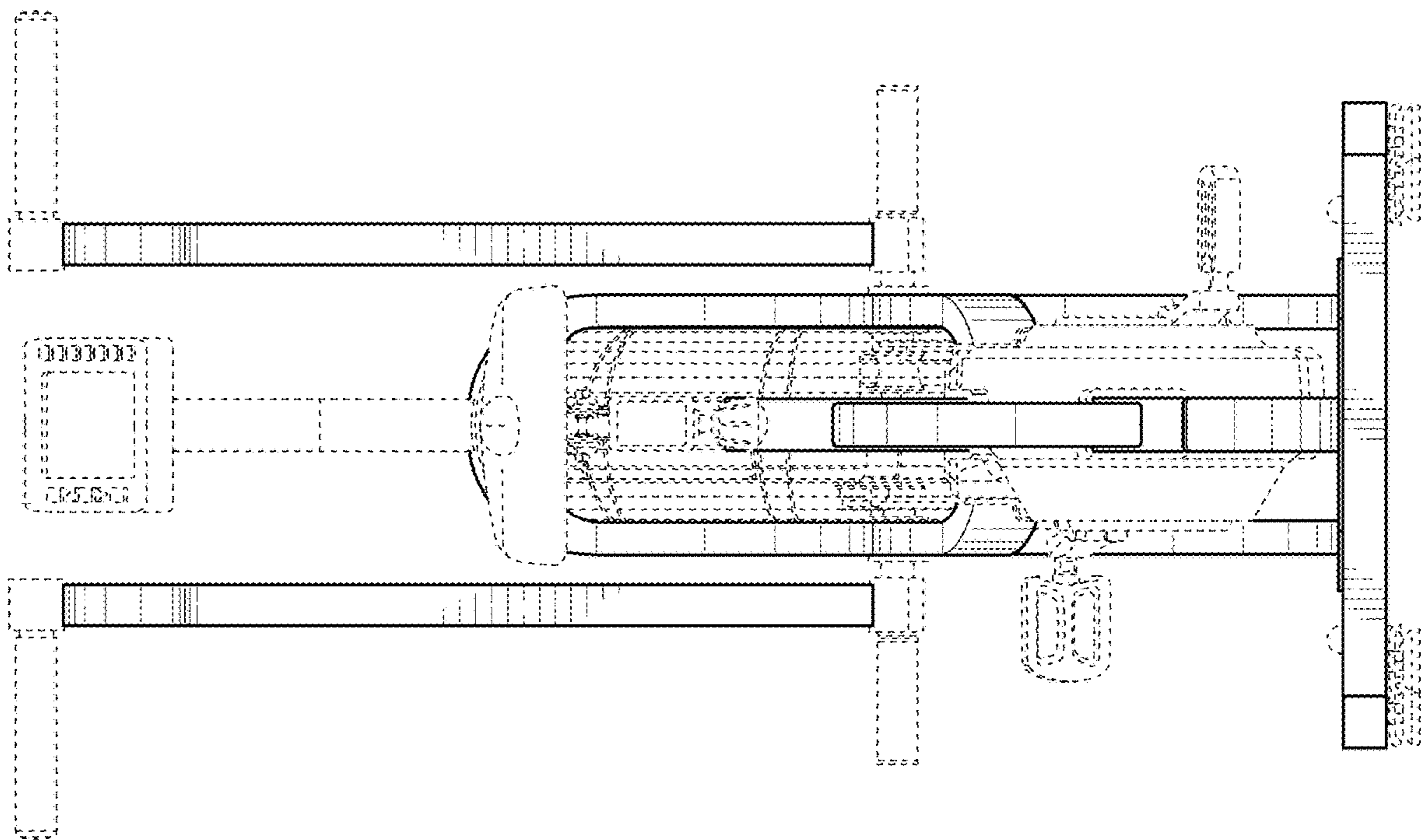


FIG. 3

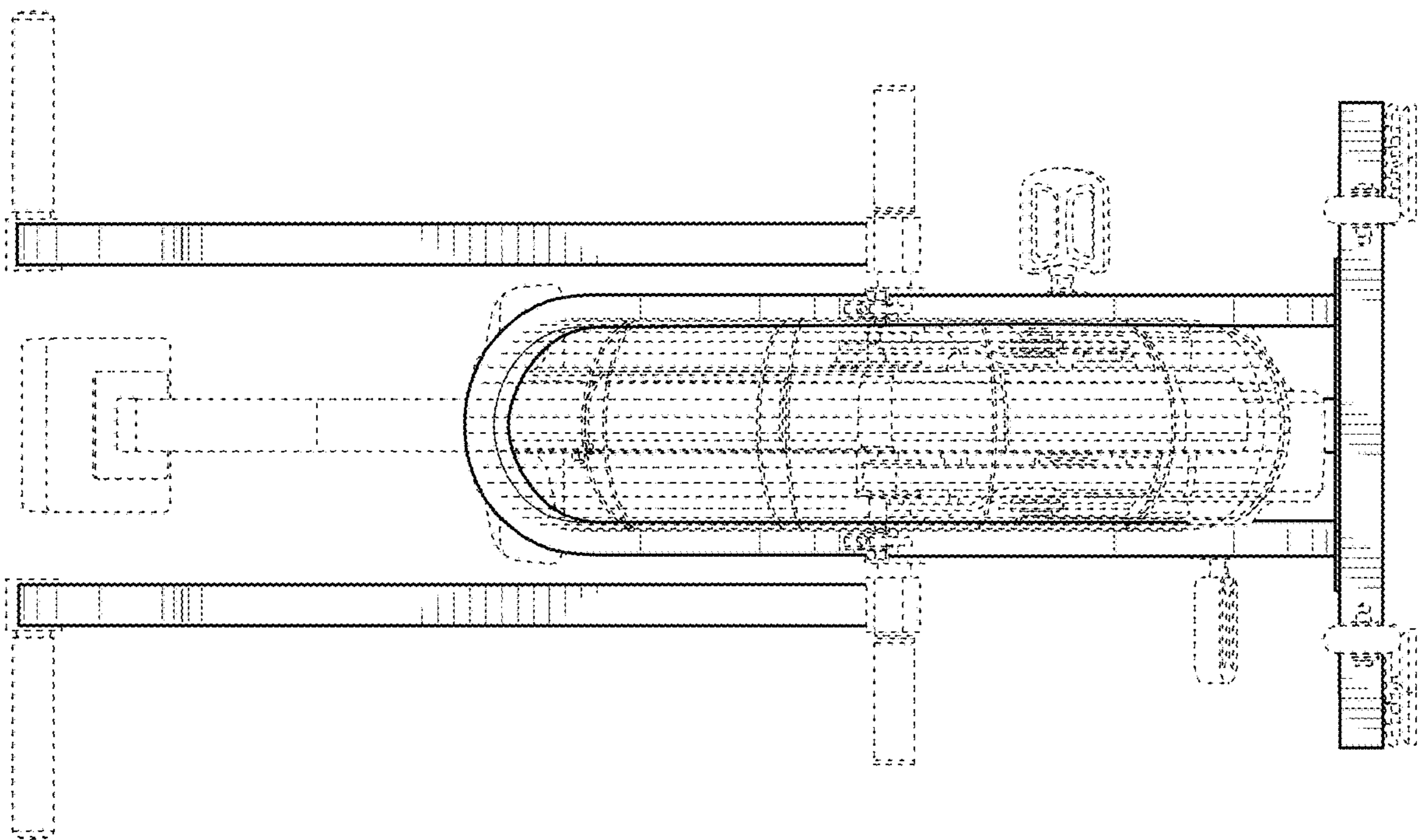


FIG. 4

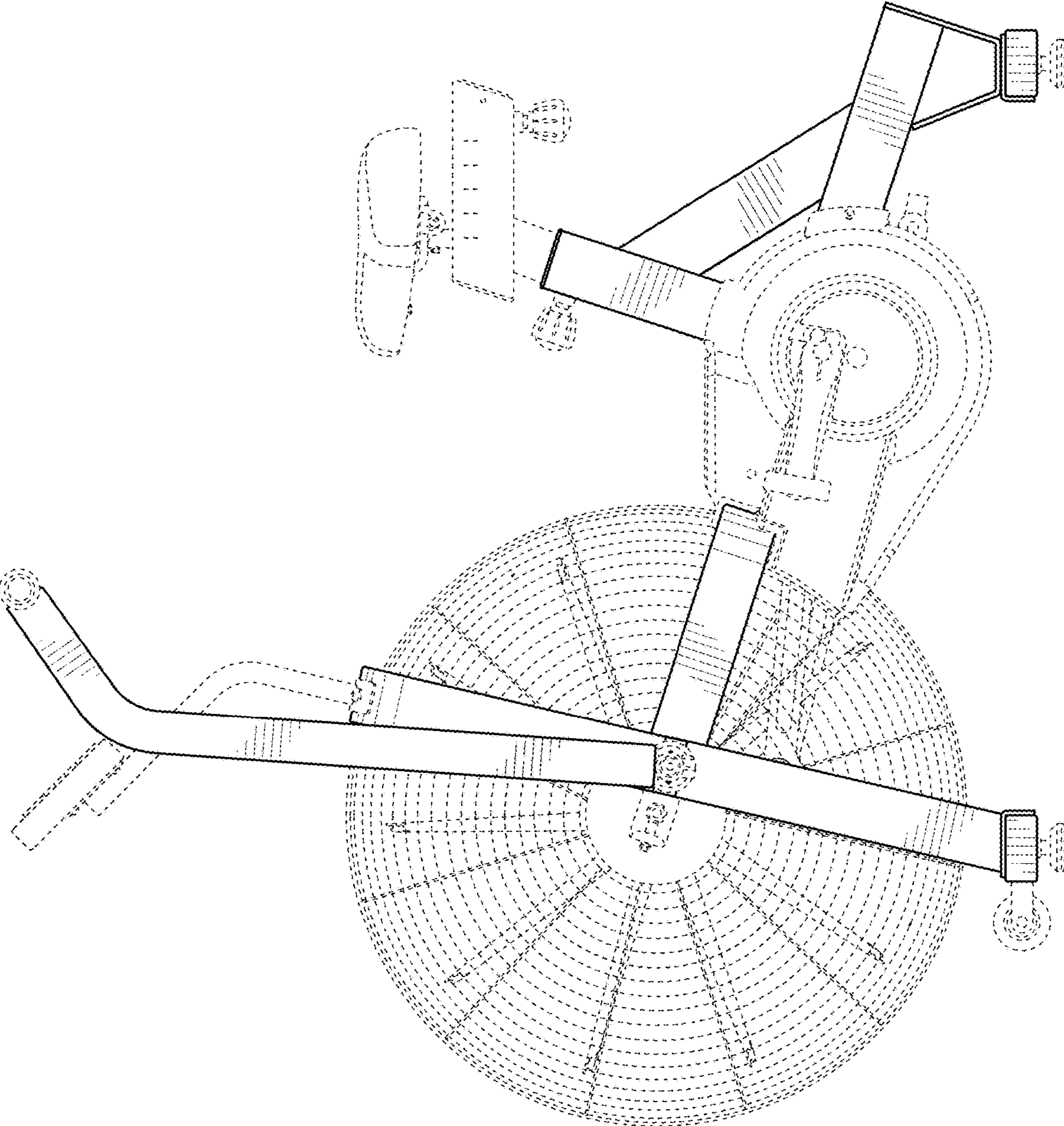


FIG. 5

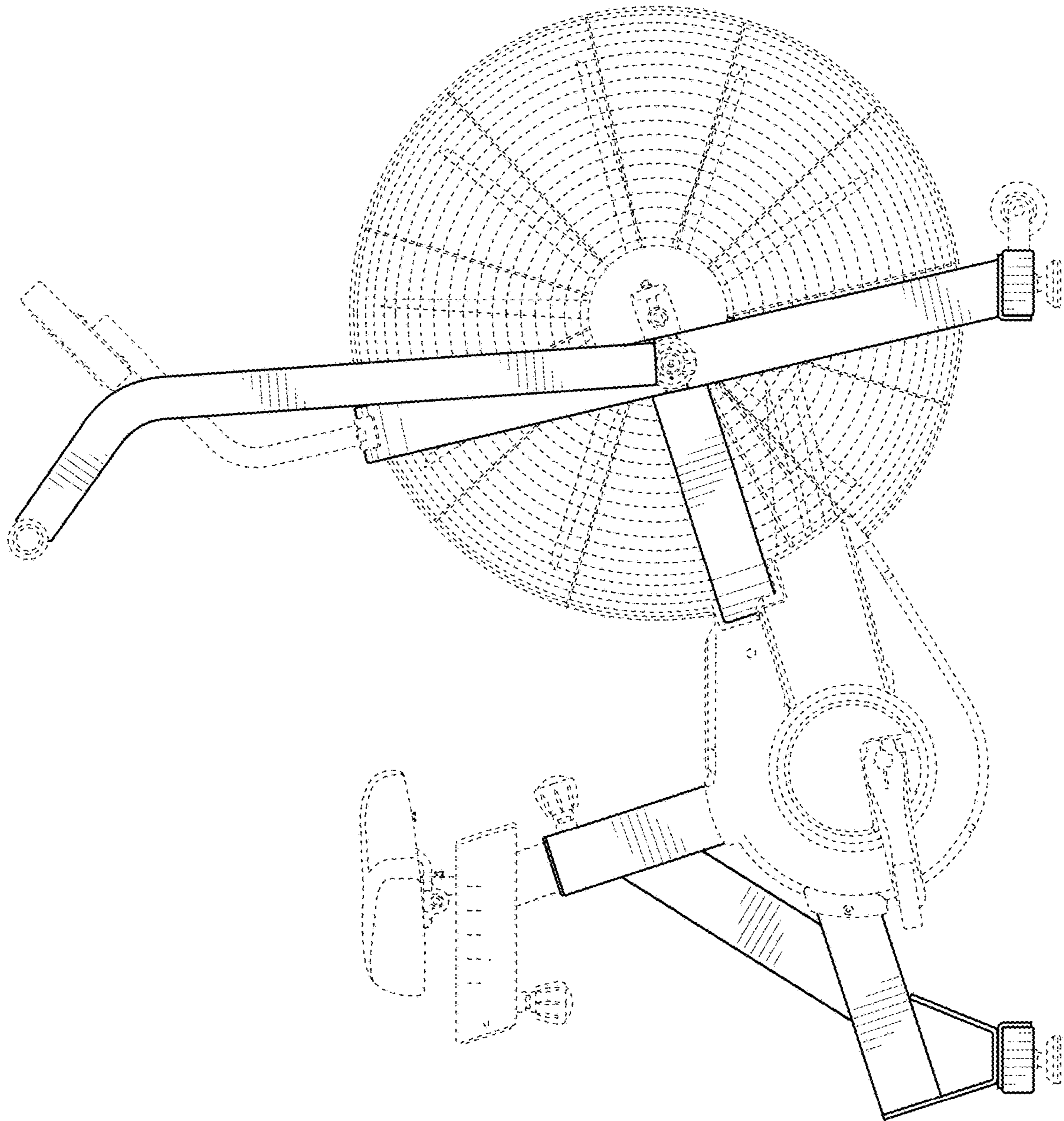


FIG. 6

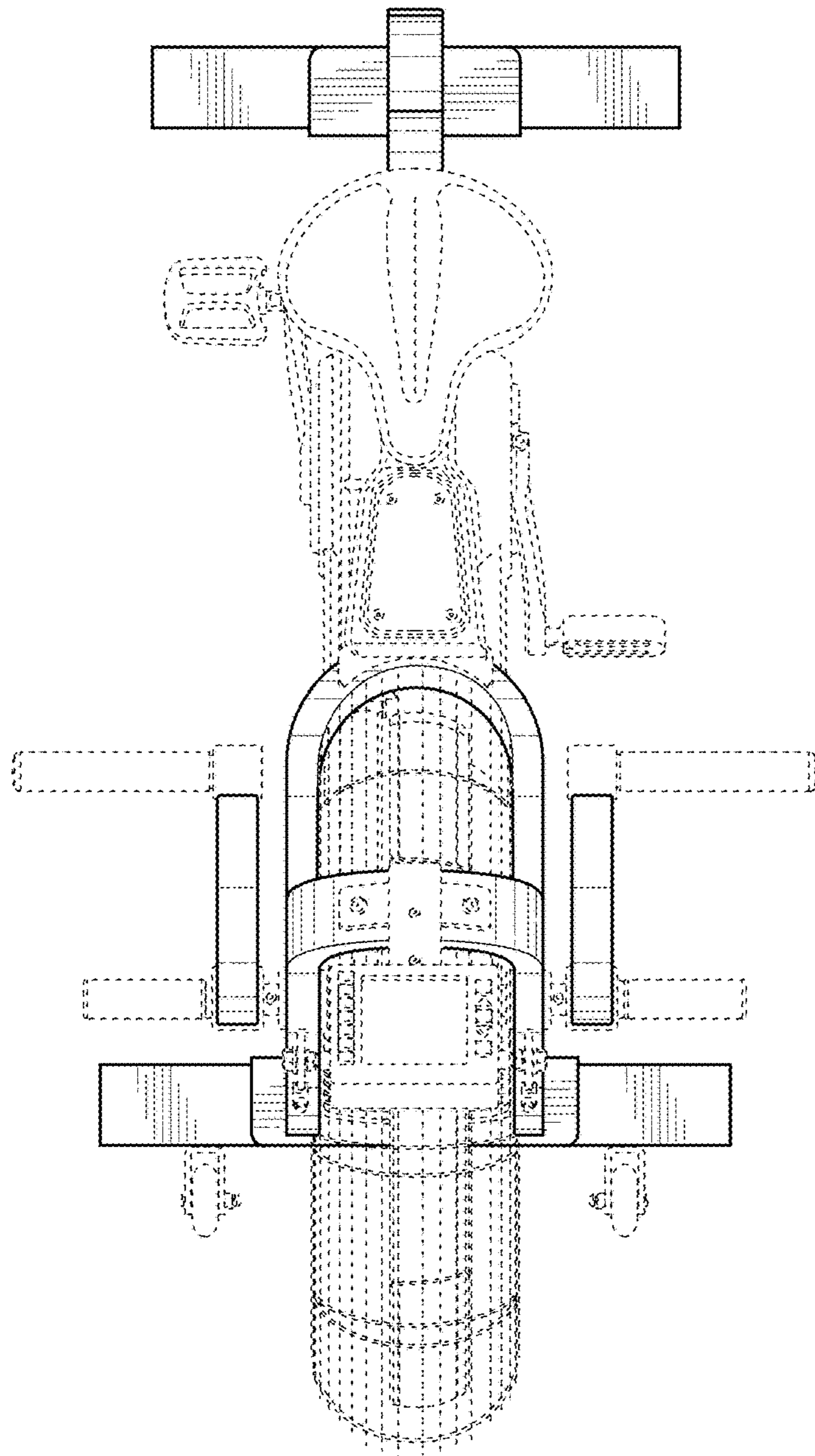


FIG. 7

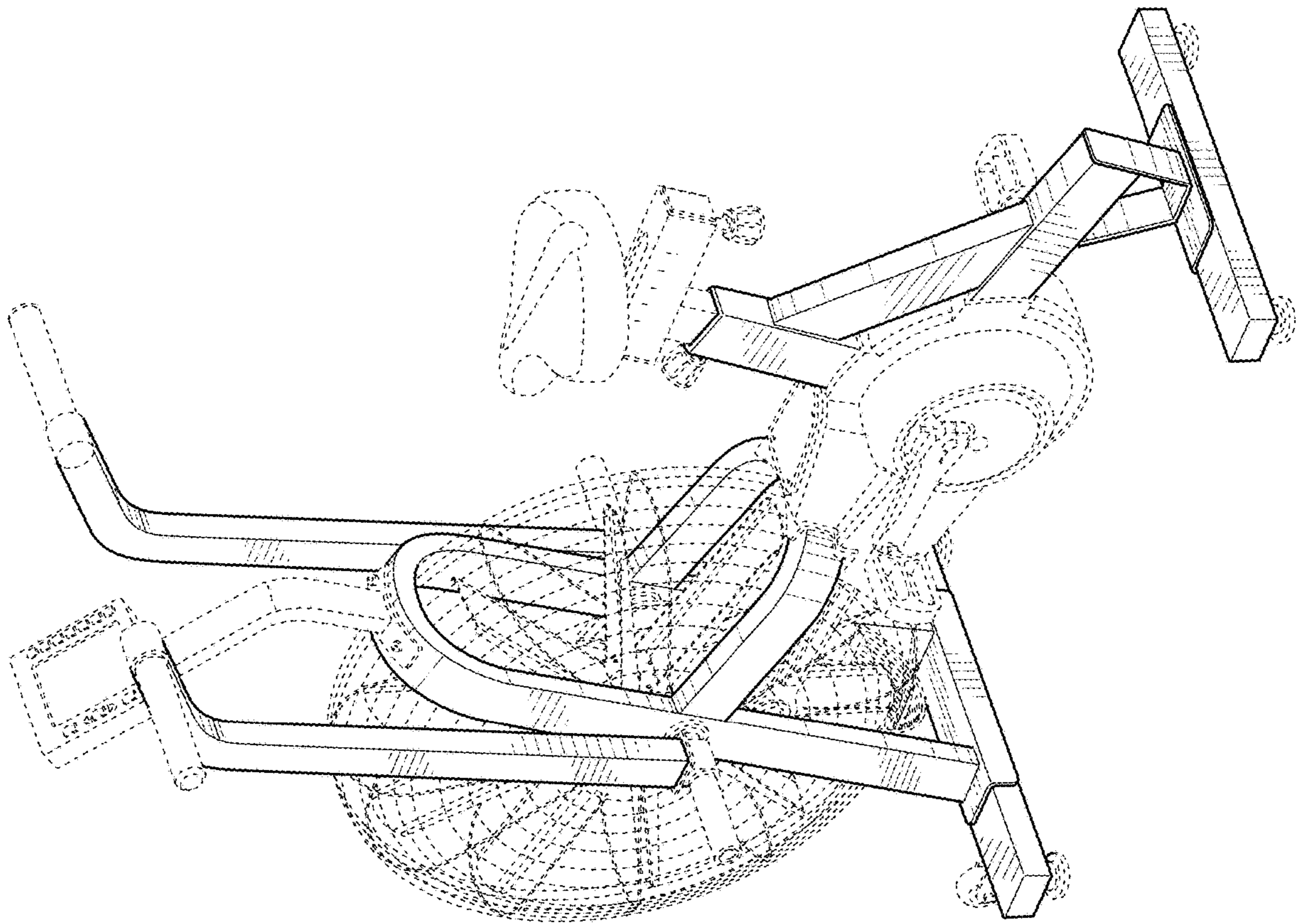


FIG. 8

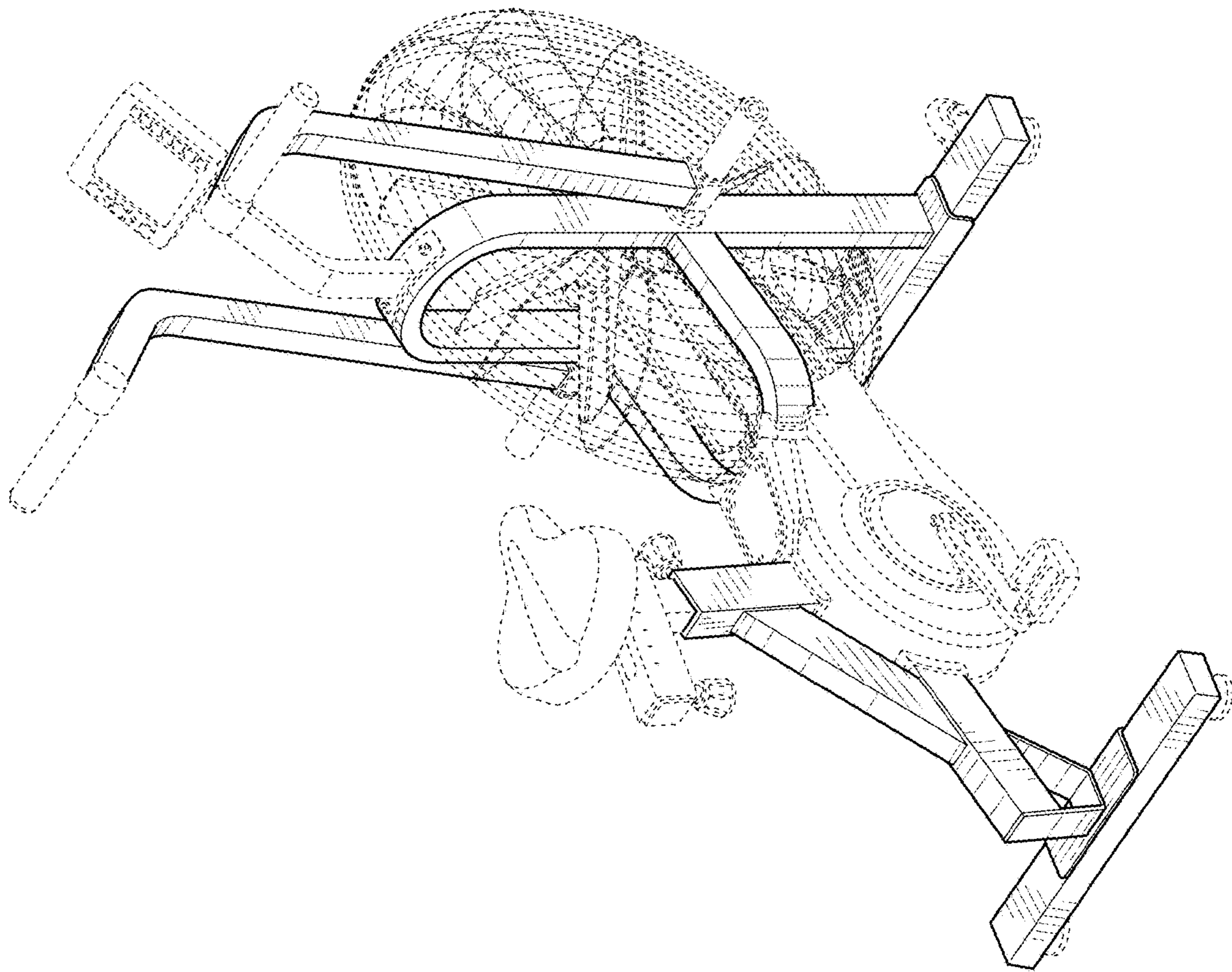


FIG. 9